

## FEATURES

- Easy to use
- Low cost solution
- Higher performance than two or three op amp design
- Unity gain with no external resistor
- Optional gains with one external resistor  
(Gain range: 2 to 1000)
- Wide power supply range:  $\pm 2.6\text{ V}$  to  $\pm 15\text{ V}$
- Available in 8-lead PDIP and 8-lead SOIC\_N packages
- Low power, 1.5 mA maximum supply current
- DC performance
  - 0.15% gain accuracy:  $G = 1$
  - 125  $\mu\text{V}$  maximum input offset voltage
  - 1.0  $\mu\text{V}/^\circ\text{C}$  maximum input offset drift
  - 5 nA maximum input bias current
  - 66 dB minimum common-mode rejection ratio:  $G = 1$
- Noise
  - 12 nV/ $\sqrt{\text{Hz}}$  @ 1 kHz input voltage noise
  - 0.60  $\mu\text{V}$  p-p noise: 0.1 Hz to 10 Hz,  $G = 10$
- AC characteristics
  - 800 kHz bandwidth:  $G = 10$
  - 10  $\mu\text{s}$  settling time to 0.1% @  $G = 1$  to 100
  - 1.2 V/ $\mu\text{s}$  slew rate

## APPLICATIONS

- Transducer interface
- Low cost thermocouple amplifier
- Industrial process controls
- Difference amplifier
- Low cost data acquisition

## PIN CONFIGURATION

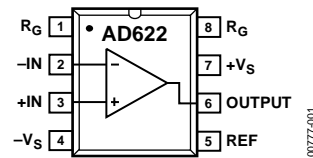


Figure 1. 8-Lead PDIP and 8-Lead SOIC\_N  
(N and R Suffixes)

## GENERAL DESCRIPTION

The AD622 is a low cost, moderately accurate instrumentation amplifier in the traditional pin configuration that requires only one external resistor to set any gain between 2 and 1000. For a gain of 1, no external resistor is required. The AD622 is a complete difference or subtractor amplifier system that also provides superior linearity and common-mode rejection by incorporating precision laser-trimmed resistors.

The AD622 replaces low cost, discrete, two or three op amp instrumentation amplifier designs and offers good common-mode rejection, superior linearity, temperature stability, reliability, power, and board area consumption. The low cost of the AD622 eliminates the need to design discrete instrumentation amplifiers to meet stringent cost targets. While providing a lower cost solution, it also provides performance and space improvements.

Table 1. Next Generation Upgrades for AD622

| Part   | Comment                                  |
|--------|--|
| AD8221 | Better specs at lower price              |
| AD8222 | Dual channel or differential out         |
| AD8226 | Low power, wide input range              |
| AD8220 | JFET input                               |
| AD8228 | Best gain accuracy                       |
| AD8295 | +2 precision op amps or differential out |
| AD8421 | Low noise, better specs                  |

### Rev. E

Information furnished by Analog Devices is believed to be accurate and reliable. However, no responsibility is assumed by Analog Devices for its use, nor for any infringements of patents or other rights of third parties that may result from its use. Specifications subject to change without notice. No license is granted by implication or otherwise under any patent or patent rights of Analog Devices. Trademarks and registered trademarks are the property of their respective owners.

## TABLE OF CONTENTS

|   |   |   |    |
|---|---|---|----|
| Features .....                            | 1 | Theory of Operation .....                             | 9  |
| Applications .....                        | 1 | Make vs. Buy: A Typical Application Error Budget..... | 9  |
| Pin Configuration .....                   | 1 | Gain Selection .....                                  | 11 |
| General Description .....                 | 1 | Input and Output Offset Voltage.....                  | 11 |
| Revision History .....                    | 2 | Reference Terminal .....                              | 11 |
| Specifications.....                       | 3 | Input Protection .....                                | 11 |
| Absolute Maximum Ratings.....             | 5 | RF Interference .....                                 | 12 |
| Thermal Resistance .....                  | 5 | Ground Returns for Input Bias Currents .....          | 12 |
| ESD Caution.....                          | 5 | Outline Dimensions .....                              | 13 |
| Typical Performance Characteristics ..... | 6 | Ordering Guide .....                                  | 14 |

## REVISION HISTORY

### 6/12—Rev. D to Rev. E

|   |    |
|---|----|
| Changes to General Description Section; Added Table 1 .....   | 1  |
| Changes to Theory of Operation Section and Figure 16.....   | 9  |
| Changes to Table 5.....   | 10 |
| Changes to Input Selection Section; Deleted Large Input<br>Voltages at Large Gains Section; Added Figure 18, Renumbered<br>Sequentially ..... | 11 |
| Changes to Ordering Guide .....   | 14 |

### 8/07—Rev. C to Rev. D

|  |           |
|--|-----------|
| Updated Format.....                    | Universal |
| Added Thermal Resistance Section ..... | 5         |
| Added Figure 16.....                   | 9         |

|   |    |
|---|----|
| Added Large Input Voltages at Large Gains Section .....     | 11 |
| Replaced RF Interference Section .....                      | 11 |
| Deleted Grounding Section .....                             | 10 |
| Deleted Figure 16.....                                      | 10 |
| Changes to Ground Returns for Input Bias Currents Section.. | 12 |
| Updated Outline Dimensions.....                             | 13 |
| Changes to Ordering Guide .....                             | 14 |

### 4/99—Rev. B to Rev. C

### 8/98—Rev. A to Rev. B

### 2/97—Rev. 0 to Rev. A

### 1/96—Revision 0: Initial Version

## SPECIFICATIONS

$T_A = 25^\circ\text{C}$ ,  $V_S = \pm 15\text{ V}$ , and  $R_L = 2\text{ k}\Omega$  typical, unless otherwise noted.

Table 2.

| Parameter                                      | Conditions                                   | Min          | Typ      | Max          | Unit                         |
|--|--|--------------|----------|--------------|------------------------------|
| <b>GAIN</b>                                    |  |              |          |              |                              |
| Gain Range                                     | $G = 1 + (50.5\text{ k}/R_G)$                | 1            |          | 1000         |                              |
| Gain Error <sup>1</sup>                        | $V_{OUT} = \pm 10\text{ V}$                  |              |          |              |                              |
| $G = 1$  |  |              | 0.05     | 0.15         | %                            |
| $G = 10$                                       |  |              | 0.2      | 0.50         | %                            |
| $G = 100$                                      |  |              | 0.2      | 0.50         | %                            |
| $G = 1000$                                     |  |              | 0.2      | 0.50         | %                            |
| Nonlinearity                                   | $V_{OUT} = \pm 10\text{ V}$                  |              |          |              |                              |
| $G = 1$ to 1000                                | $R_L = 10\text{ k}\Omega$                    |              | 10       |              | ppm                          |
| $G = 1$ to 100                                 | $R_L = 2\text{ k}\Omega$                     |              | 10       |              | ppm                          |
| Gain vs. Temperature                           | Gain = 1                                     |              |          | 10           | ppm/ $^\circ\text{C}$        |
|  | Gain > 1 <sup>1</sup>                        |              |          | -50          | ppm/ $^\circ\text{C}$        |
| <b>VOLTAGE OFFSET</b>                          |  |              |          |              |                              |
| Input Offset, $V_{OSI}$                        | Total RTI Error = $V_{OSI} + V_{OSO}/G$      |              |          |              |                              |
| Average Temperature Coefficient                | $V_S = \pm 5\text{ V}$ to $\pm 15\text{ V}$  |              | 60       | 125          | $\mu\text{V}$                |
| Output Offset, $V_{OSO}$                       | $V_S = \pm 5\text{ V}$ to $\pm 15\text{ V}$  |              |          | 1.0          | $\mu\text{V}/^\circ\text{C}$ |
| Average Temperature Coefficient                | $V_S = \pm 5\text{ V}$ to $\pm 15\text{ V}$  |              | 600      | 1500         | $\mu\text{V}$                |
| Offset Referred to Input vs. Supply (PSR)      | $V_S = \pm 5\text{ V}$ to $\pm 15\text{ V}$  |              |          | 15           | $\mu\text{V}/^\circ\text{C}$ |
| $G = 1$  |  | 80           | 100      |              | dB                           |
| $G = 10$                                       |  | 95           | 120      |              | dB                           |
| $G = 100$                                      |  | 110          | 140      |              | dB                           |
| $G = 1000$                                     |  | 110          | 140      |              | dB                           |
| <b>INPUT CURRENT</b>                           |  |              |          |              |                              |
| Input Bias Current                             |  |              | 2.0      | 5.0          | nA                           |
| Average Temperature Coefficient                |  |              | 3.0      |              | $\text{pA}/^\circ\text{C}$   |
| Input Offset Current                           |  |              | 0.7      | 2.5          | nA                           |
| Average Temperature Coefficient                |  |              | 2.0      |              | $\text{pA}/^\circ\text{C}$   |
| <b>INPUT</b>                                   |  |              |          |              |                              |
| Input Impedance                                |  |              |          |              |                              |
| Differential                                   |  |              | 10  2    |              | $\text{G}\Omega  \text{pF}$  |
| Common Mode                                    |  |              | 10  2    |              | $\text{G}\Omega  \text{pF}$  |
| Input Voltage Range <sup>2</sup>               | $V_S = \pm 2.6\text{ V}$ to $\pm 5\text{ V}$ | $-V_S + 1.9$ |          | $+V_S - 1.2$ | V                            |
| Over Temperature                               |  | $-V_S + 2.1$ |          | $+V_S - 1.3$ | V                            |
|  | $V_S = \pm 5\text{ V}$ to $\pm 18\text{ V}$  | $-V_S + 1.9$ |          | $+V_S - 1.4$ | V                            |
| Over Temperature                               |  | $-V_S + 2.1$ |          | $+V_S - 1.4$ | V                            |
| Common-Mode Rejection Ratio                    | $V_{CM} = 0\text{ V}$ to $\pm 10\text{ V}$   |              |          |              |                              |
| DC to 60 Hz with 1 k $\Omega$ Source Imbalance |  |              |          |              |                              |
| $G = 1$  |  | 66           | 78       |              | dB                           |
| $G = 10$                                       |  | 86           | 98       |              | dB                           |
| $G = 100$                                      |  | 103          | 118      |              | dB                           |
| $G = 1000$                                     |  | 103          | 118      |              | dB                           |
| <b>OUTPUT</b>                                  |  |              |          |              |                              |
| Output Swing                                   | $R_L = 10\text{ k}\Omega$                    |              |          |              |                              |
| Over Temperature                               | $V_S = \pm 2.6\text{ V}$ to $\pm 5\text{ V}$ | $-V_S + 1.1$ |          | $+V_S - 1.2$ | V                            |
|  |  | $-V_S + 1.4$ |          | $+V_S - 1.3$ | V                            |
| Over Temperature                               | $V_S = \pm 5\text{ V}$ to $\pm 18\text{ V}$  | $-V_S + 1.2$ |          | $+V_S - 1.4$ | V                            |
|  |  | $-V_S + 1.6$ |          | $+V_S - 1.5$ | V                            |
| Short Current Circuit                          |  |              | $\pm 18$ |              | mA                           |

| Parameter                      | Conditions   | Min           | Typ        | Max           | Unit   |
|--------------------------------|--|---------------|------------|---------------|--------|
| <b>DYNAMIC RESPONSE</b>        |  |               |            |               |        |
| Small Signal –3 dB Bandwidth   |  |               |            |               |        |
| G = 1                          |  |               | 1000       |               | kHz    |
| G = 10                         |  |               | 800        |               | kHz    |
| G = 100                        |  |               | 120        |               | kHz    |
| G = 1000                       |  |               | 12         |               | kHz    |
| Slew Rate                      |  |               | 1.2        |               | V/μs   |
| Settling Time to 0.1%          | 10 V step  |               |            |               |        |
| G = 1 to 100                   |  |               | 10         |               | μs     |
| <b>NOISE</b>                   |  |               |            |               |        |
| Voltage Noise, 1 kHz           | Total RTI Noise = $\sqrt{(e_{ni}^2) + (e_{no}/G)^2}$ |               |            |               |        |
| Input Voltage Noise, $e_{ni}$  |  |               | 12         |               | nV/√Hz |
| Output Voltage Noise, $e_{no}$ |  |               | 72         |               | nV/√Hz |
| RTI, 0.1 Hz to 10 Hz           |  |               |            |               |        |
| G = 1                          |  |               | 4.0        |               | μV p-p |
| G = 10                         |  |               | 0.6        |               | μV p-p |
| G = 100                        |  |               | 0.3        |               | μV p-p |
| Current Noise                  | f = 1 kHz  |               | 100        |               | fA/√Hz |
| 0.1 Hz to 10 Hz                |  |               | 10         |               | pA p-p |
| <b>REFERENCE INPUT</b>         |  |               |            |               |        |
| $R_{IN}$                       |  |               | 20         |               | kΩ     |
| $I_{IN}$                       | $V_{IN+}, V_{REF} = 0$                               |               | 50         | 60            | μA     |
| Voltage Range                  |  | - $V_S + 1.6$ |            | + $V_S - 1.6$ | V      |
| Gain to Output                 |  |               | 1 ± 0.0015 |               |        |
| <b>POWER SUPPLY</b>            |  |               |            |               |        |
| Operating Range <sup>3</sup>   |  | ±2.6          |            | ±18           | V      |
| Quiescent Current              | $V_S = \pm 2.6 \text{ V to } \pm 18 \text{ V}$       |               | 0.9        | 1.3           | mA     |
| Over Temperature               |  |               | 1.1        | 1.5           | mA     |
| <b>TEMPERATURE RANGE</b>       |  |               |            |               |        |
| For Specified Performance      |  |               | -40 to +85 |               | °C     |

<sup>1</sup> Does not include effects of External Resistor  $R_G$ .

<sup>2</sup> One input grounded, G = 1.

<sup>3</sup> Defined as the same supply range that is used to specify PSR.

## ABSOLUTE MAXIMUM RATINGS

Table 3.

| Parameter                               | Rating          |
|---|-----------------|
| Supply Voltage                          | ±18 V           |
| Internal Power Dissipation <sup>1</sup> | 650 mW          |
| Input Voltage (Common Mode)             | ±V <sub>s</sub> |
| Differential Input Voltage <sup>2</sup> | ±25 V           |
| Output Short Circuit Duration           | Indefinite      |
| Storage Temperature Range               | −65°C to +125°C |
| Operating Temperature Range             | −40°C to +85°C  |
| Lead Temperature (Soldering, 10 sec)    | 300°C           |

<sup>1</sup>Specification is for device in free air; see Table 4.

<sup>2</sup>May be further restricted for gains greater than 14. See the Input Protection section for more information.

Stresses above those listed under Absolute Maximum Ratings may cause permanent damage to the device. This is a stress rating only; functional operation of the device at these or any other conditions above those indicated in the operational section of this specification is not implied. Exposure to absolute maximum rating conditions for extended periods may affect device reliability.

## THERMAL RESISTANCE

$\theta_{JA}$  is specified for the device in free air.

Table 4. Thermal Resistance

| Package Type        | $\theta_{JA}$ | Unit |
|---------------------|---------------|------|
| 8-Lead PDIP (N-8)   | 95            | °C/W |
| 8-Lead SOIC_N (R-8) | 155           | °C/W |

## ESD CAUTION



**ESD (electrostatic discharge) sensitive device.** Charged devices and circuit boards can discharge without detection. Although this product features patented or proprietary protection circuitry, damage may occur on devices subjected to high energy ESD. Therefore, proper ESD precautions should be taken to avoid performance degradation or loss of functionality.

# TYPICAL PERFORMANCE CHARACTERISTICS

$T_A = 25^\circ\text{C}$ ,  $V_S = \pm 15\text{ V}$ ,  $R_L = 2\text{ k}\Omega$ , unless otherwise noted.

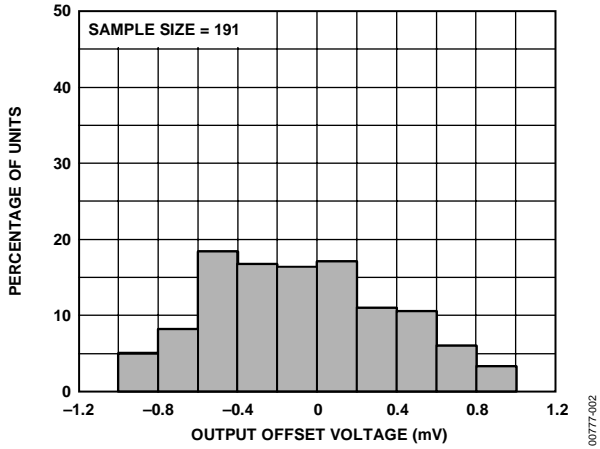


Figure 2. Typical Distribution of Output Offset Voltage

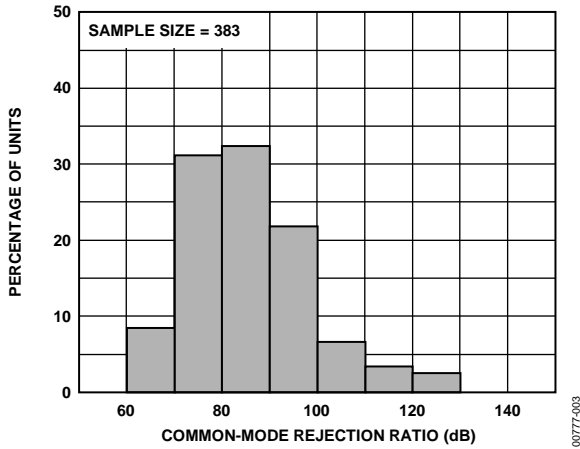


Figure 3. Typical Distribution of Common-Mode Rejection

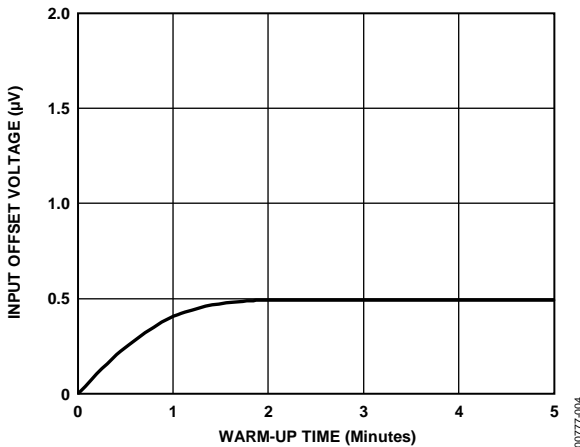


Figure 4. Change in Input Offset Voltage vs. Warm-Up Time

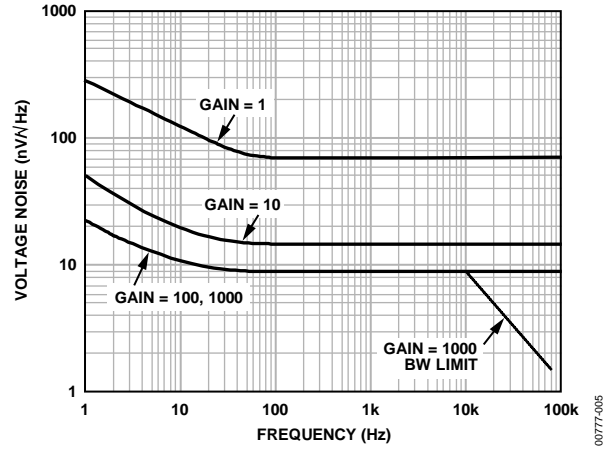


Figure 5. Voltage Noise Spectral Density vs. Frequency ( $G = 1$  to 1000)

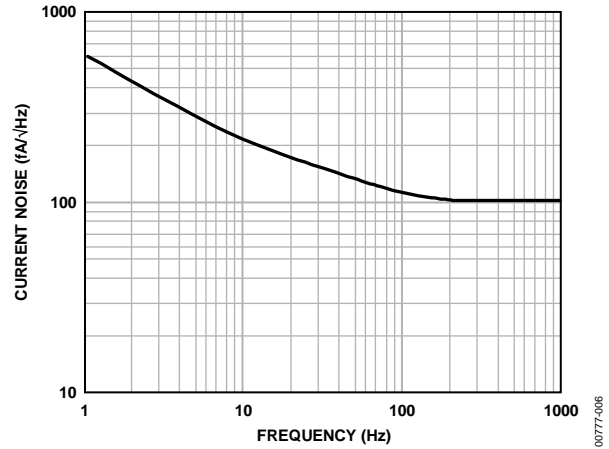


Figure 6. Current Noise Spectral Density vs. Frequency

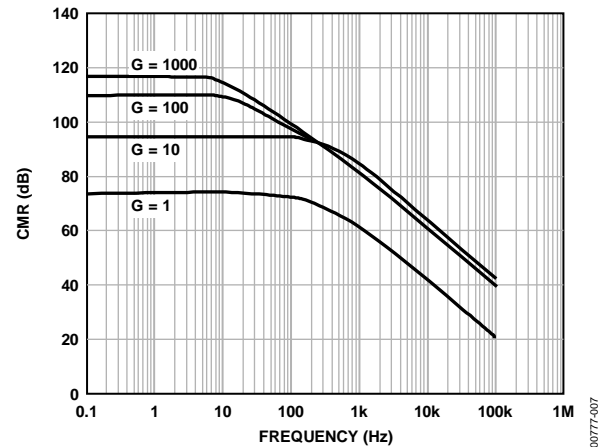


Figure 7. CMR vs. Frequency, RTI, 0  $\text{k}\Omega$  to 1  $\text{k}\Omega$  Source Imbalance

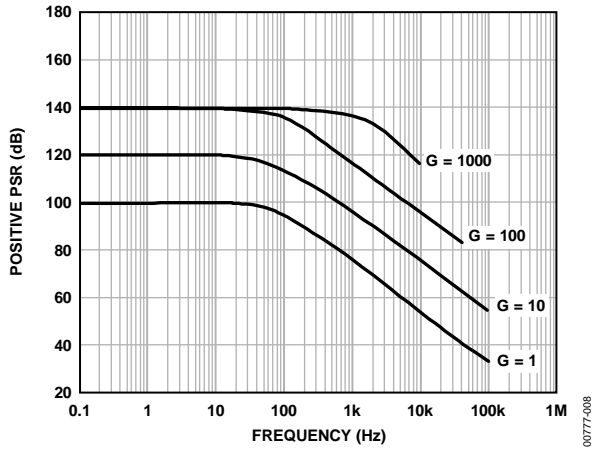


Figure 8. Positive PSR vs. Frequency, RTI (G = 1 to 1000)

00777-008

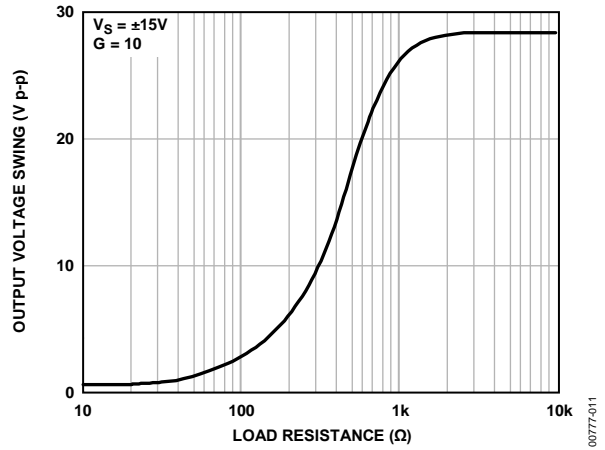


Figure 11. Output Voltage Swing vs. Load Resistance

00777-011

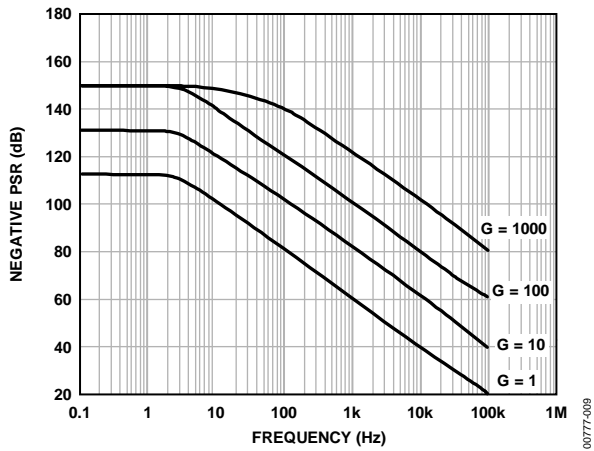


Figure 9. Negative PSR vs. Frequency, RTI (G = 1 to 1000)

00777-009

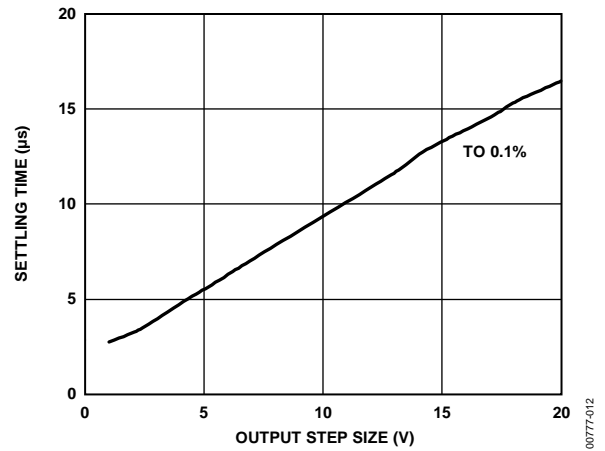


Figure 12. Settling Time vs. Step Size (G = 1)

00777-012

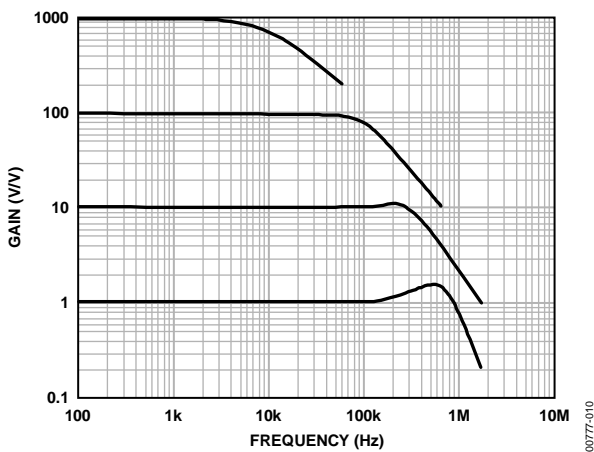


Figure 10. Gain vs. Frequency

00777-010

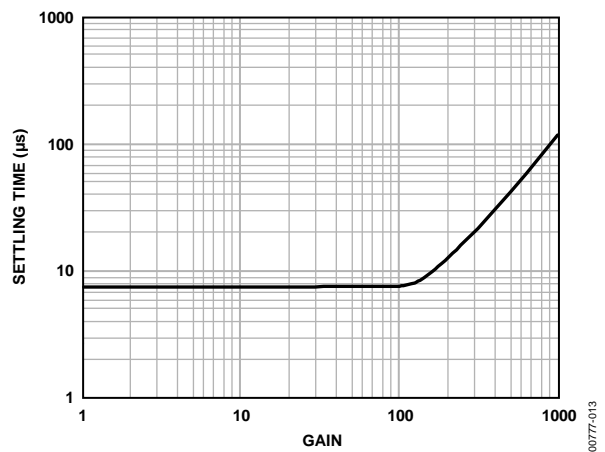
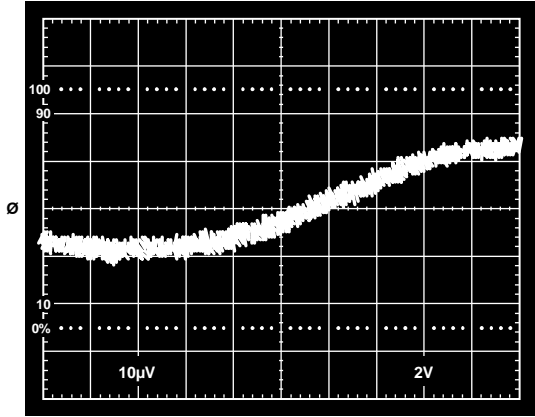


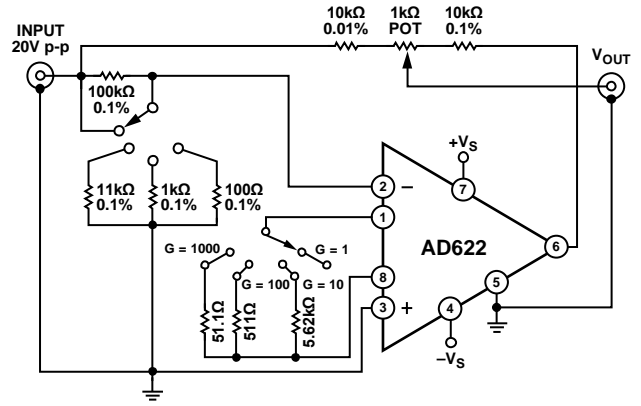
Figure 13. Settling Time to 0.1% vs. Gain, for a 10 V Step

00777-013



00777-014

Figure 14. Gain Nonlinearity,  $G = 1$ ,  $R_L = 10\text{ k}\Omega$  ( $20\text{ }\mu\text{V} = 2\text{ ppm}$ )



00777-015

Figure 15. Settling Time Test Circuit



## THEORY OF OPERATION

The AD622 is a monolithic instrumentation amplifier based on a modification of the classic three op amp approach. Absolute value trimming allows the user to program gain accurately (to 0.5% at  $G = 1000$ ) with only one resistor. Monolithic construction and laser wafer trimming allow the tight matching and tracking of circuit components, thus insuring AD622 performance.

Input Transistor Q1 and Input Transistor Q2 provide a single differential-pair bipolar input for high precision (see Figure 16). Feedback through the Q1-A1-R1 loop and the Q2-A2-R2 loop maintains constant collector current of the Q1 and Q2 input devices, thereby impressing the input voltage across External Gain-Setting Resistor  $R_G$ . This creates a differential gain from the inputs to the A1 and A2 outputs given by  $G = (R1 + R2)/R_G + 1$ . Unity-Gain Subtractor A3 removes any common-mode signal, yielding a single-ended output referred to the REF pin potential.

The value of  $R_G$  also determines the transconductance of the preamp stage. As  $R_G$  is reduced for larger gains, the transconductance increases asymptotically to that of the input transistors. This has the following three important advantages:

- Open-loop gain is boosted for increasing programmed gain, thus reducing gain-related errors.
- The gain-bandwidth product (determined by C1, C2, and the preamp transconductance) increases with programmed gain, thus optimizing frequency response.
- The input voltage noise is reduced to a value of  $12 \text{ nV}/\sqrt{\text{Hz}}$ , determined mainly by the collector current and base resistance of the input devices.

The internal gain resistors, R1 and R2, are trimmed to an absolute value of  $25.25 \text{ k}\Omega$ , allowing the gain to be programmed accurately with a single external resistor.

### MAKE vs. BUY: A TYPICAL APPLICATION ERROR BUDGET

The AD622 offers cost and performance advantages over discrete two op amp instrumentation amplifier designs along with smaller size and fewer components. In a typical application shown in Figure 17, a gain of 10 is required to receive and amplify a 0 to 20 mA signal from the AD694 current transmitter. The current is converted to a voltage in a  $50 \Omega$  shunt. In applications where transmission is over long distances, line impedance can be significant so that differential voltage measurement is essential. Where there is no connection between the ground returns of transmitter and receiver, there must be a dc path from each input to ground, implemented in this case using two  $1 \text{ k}\Omega$  resistors. The error budget detailed in Table 5 shows how to calculate the effect of various error sources on circuit accuracy.

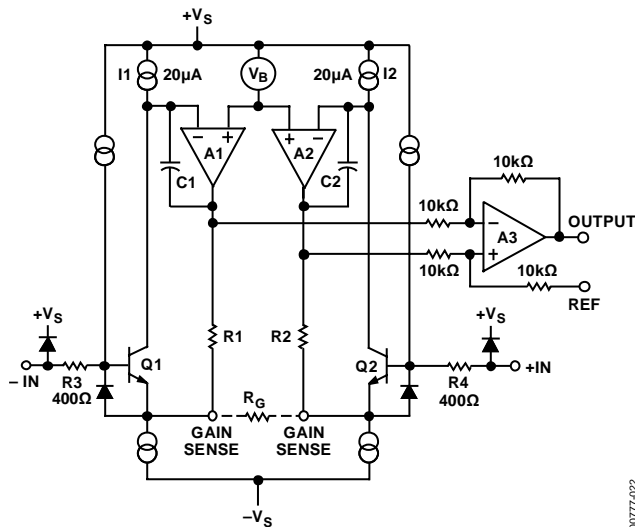


Figure 16. Simplified Schematic of the AD622

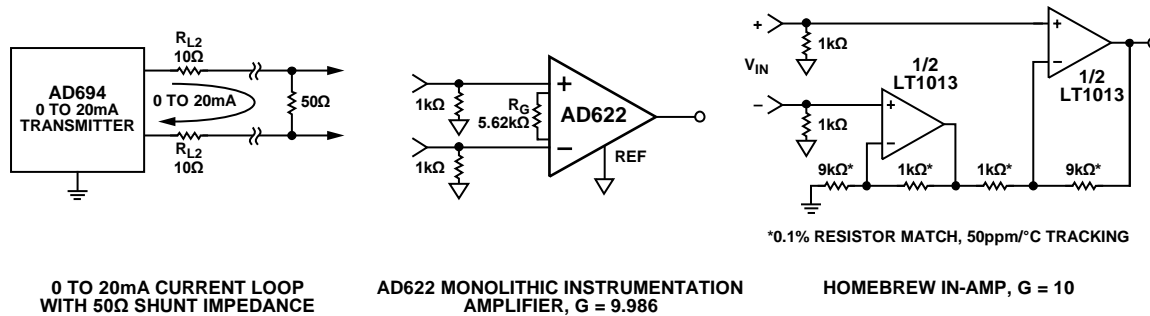


Figure 17. Make vs. Buy

The AD622 provides greater accuracy at lower cost. The higher cost of the homebrew circuit is dominated in this case by the matched resistor network. One could also realize a homebrew design using cheaper discrete resistors that are either trimmed or hand selected to give high common-mode rejection. This level of common-mode rejection, however, degrades significantly

over temperature due to the drift mismatch of the discrete resistors.

Note that for the homebrew circuit, the LT1013 specification for noise has been multiplied by  $\sqrt{2}$ . This is because a two op amp type instrumentation amplifier has two op amps at its inputs, both contributing to the overall noise.

**Table 5. Make vs. Buy Error Budget**

| Error Source   | AD622 Circuit Calculation   | Homebrew Circuit Calculation   | Total Error in ppm Relative to 1 V FS |          |
|--|---|--|---------------------------------------|----------|
|  |   |  | AD622                                 | Homebrew |
| ABSOLUTE ACCURACY at $T_A = 25^\circ\text{C}$          |   |  |                                       |          |
| Total RTI Offset Voltage, $\mu\text{V}$                | $125 \mu\text{V} + 1500 \mu\text{V}/10$   | $800 \mu\text{V} \times 2$   | 275                                   | 1600     |
| Input Offset Current, nA                               | $2.5 \text{ nA} \times 1 \text{ k}\Omega$   | $15 \text{ nA} \times 1 \text{ k}\Omega$   | 2.5                                   | 15       |
| CMR, dB  | $86 \text{ dB} \rightarrow 50 \text{ ppm} \times 0.5 \text{ V}$                             | $(0.1\% \text{ Match} \times 0.5 \text{ V})/10 \text{ V}$                        | 25                                    | 50       |
|  |   | Total Absolute Error   | 302.5                                 | 1665     |
| DRIFT TO $85^\circ\text{C}$                            |   |  |                                       |          |
| Gain Drift, ppm/ $^\circ\text{C}$                      | $(50 \text{ ppm} + 5 \text{ ppm}) \times 60^\circ\text{C}$                                  | $(50 \text{ ppm})/^\circ\text{C} \times 60^\circ\text{C}$                        | 3300                                  | 3000     |
| Total RTI Offset Voltage, $\mu\text{V}/^\circ\text{C}$ | $(1 \mu\text{V}/^\circ\text{C} + 15 \mu\text{V}/^\circ\text{C}/10) \times 60^\circ\text{C}$ | $9 \mu\text{V}/^\circ\text{C} \times 2 \times 60^\circ\text{C}$                  | 150                                   | 1080     |
| Input Offset Current, pA/ $^\circ\text{C}$             | $2 \text{ pA}/^\circ\text{C} \times 1 \text{ k}\Omega \times 60^\circ\text{C}$              | $155 \text{ pA}/^\circ\text{C} \times 1 \text{ k}\Omega \times 60^\circ\text{C}$ | 0.12                                  | 9.3      |
|  |   | Total Drift Error  | 3450.12                               | 4089.3   |
| RESOLUTION   |   |  |                                       |          |
| Gain Nonlinearity, ppm of Full Scale                   | 10 ppm  | 20 ppm   | 10                                    | 20       |
| Typ 0.1 Hz to 10 Hz Voltage Noise, $\mu\text{V}$ p-p   | 0.6 $\mu\text{V}$ p-p   | $0.55 \mu\text{V} \text{ p-p} \times \sqrt{2}$                                   | 0.6                                   | 0.778    |
|  |   | Total Resolution Error   | 10.6                                  | 20.778   |
|  |   | Grand Total Error  | 3763                                  | 5775     |

## GAIN SELECTION

The AD622 gain is resistor programmed by  $R_G$  or, more precisely, by whatever impedance appears between Pin 1 and Pin 8. The AD622 is designed to offer gains as close as possible to popular integer values using standard 1% resistors. Table 6 shows required values of  $R_G$  for various gains. Note that for  $G = 1$ , the  $R_G$  pins are unconnected ( $R_G = \infty$ ). For any arbitrary gain,  $R_G$  can be calculated by using the formula

$$R_G = \frac{50.5 \text{ k}\Omega}{G - 1}$$

To minimize gain error, avoid high parasitic resistance in series with  $R_G$ . To minimize gain drift,  $R_G$  should have a low temperature coefficient less than 10 ppm/°C for the best performance.

**Table 6. Required Values of Gain Resistors**

| Desired Gain | 1% Std Table Value of $R_G$ , $\Omega$ | Calculated Gain |
|--------------|--|-----------------|
| 2            | 51.1 k                                 | 1.988           |
| 5            | 12.7 k                                 | 4.976           |
| 10           | 5.62 k                                 | 9.986           |
| 20           | 2.67 k                                 | 19.91           |
| 33           | 1.58 k                                 | 32.96           |
| 40           | 1.3 k                                  | 39.85           |
| 50           | 1.02 k                                 | 50.50           |
| 65           | 787                                    | 65.17           |
| 100          | 511                                    | 99.83           |
| 200          | 255                                    | 199.0           |
| 500          | 102                                    | 496.1           |
| 1000         | 51.1                                   | 989.3           |

## INPUT AND OUTPUT OFFSET VOLTAGE

The low errors of the AD622 are attributable to two sources: input and output errors. The output error is divided by  $G$  when referred to the input. In practice, the input errors dominate at high gains and the output errors dominate at low gains. The total  $V_{OS}$  for a given gain is calculated as follows:

$$\text{Total Error RTI} = \text{input error} + (\text{output error}/G)$$

$$\text{Total Error RTO} = (\text{input error} \times G) + \text{output error}$$

## REFERENCE TERMINAL

The reference terminal potential defines the zero output voltage and is especially useful when the load does not share a precise ground with the rest of the system. The reference terminal provides a direct means of injecting a precise offset to the output, with an allowable range of 2 V within the supply voltages. Parasitic resistance should be kept to a minimum for optimum CMR.

## INPUT PROTECTION

The AD622 safely withstands an input current of  $\pm 60$  mA for several hours at room temperature. This is true for all gains and power on and off, which is useful if the signal source and amplifier are powered separately. For longer time periods, the input current should not exceed 6 mA.

For input voltages beyond the supplies, a protection resistor should be placed in series with each input to limit the current to 6 mA. These can be the same resistors as those used in the RFI filter. High values of resistance can impact the noise and AC CMRR performance of the system. Low leakage diodes (such as the BAV199) can be placed at the inputs to reduce the required protection resistance.

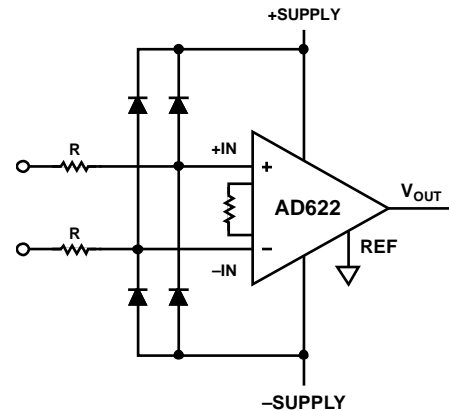


Figure 18. Diode Protection for Voltages Beyond Supply

## RF INTERFERENCE

RF rectification is often a problem when amplifiers are used in applications where there are strong RF signals. The disturbance may appear as a small dc offset voltage. High frequency signals can be filtered with a low-pass, RC network placed at the input of the instrumentation amplifier, as shown in Figure 19. In addition, this RC input network also provides additional input overload protection (see the Input Protection section).

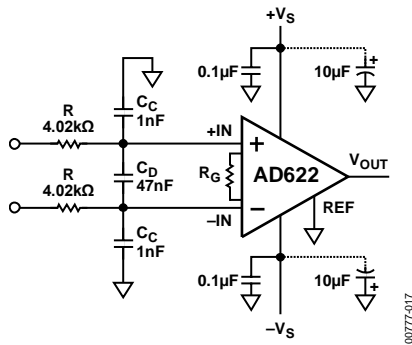


Figure 19. RFI Suppression Circuit for AD622 Series In-Amps

The filter limits the input signal bandwidth to the following cutoff frequencies:

$$FilterFreq_{DIFF} = \frac{1}{2\pi R(2C_D + C_C)}$$

$$FilterFreq_{CM} = \frac{1}{2\pi RC_C}$$

where  $C_D \geq 10C_C$ .

Figure 19 shows an example where the differential filter frequency is approximately 400 Hz, and the common-mode filter frequency is approximately 40 kHz. With this differential filter in place and operating at gain of 1000, the typical dc offset shift over a frequency range of 1 Hz to 20 MHz is less than 1.5  $\mu$ V RTI, and the RF signal rejection of the circuit is better than 71 dB. At a gain of 100, the dc offset shift is well below 1 mV RTI, and RF rejection is greater than 70 dB.

The input resistors should be selected to be high enough to isolate the sensor from the  $C_C$  and  $C_D$  capacitors but low enough not to influence system noise. Mismatch between  $R \times C_C$  at the positive input and  $R \times C_C$  at the negative input degrades the CMRR of the AD622. Therefore, the  $C_C$  capacitors should be high precision types such as NPO/COG ceramics. The tolerance of the  $C_D$  capacitor is less critical.

## GROUND RETURNS FOR INPUT BIAS CURRENTS

Input bias currents are those currents necessary to bias the input transistors of an amplifier. There must be a direct return path for these currents; therefore, when amplifying floating input sources such as transformers or ac-coupled sources, there must be a dc path from each input to ground as shown in Figure 20, Figure 21, and Figure 22. Refer to the *Designer's Guide to Instrumentation Amplifiers* (free from Analog Devices, Inc.) for more information regarding in-amp applications.

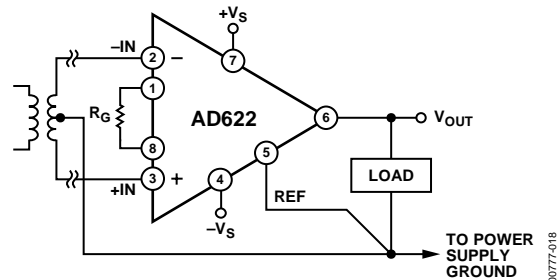


Figure 20. Ground Returns for Bias Currents with Transformer Coupled Inputs

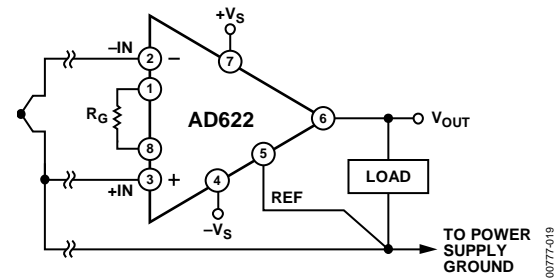


Figure 21. Ground Returns for Bias Currents with Thermocouple Inputs

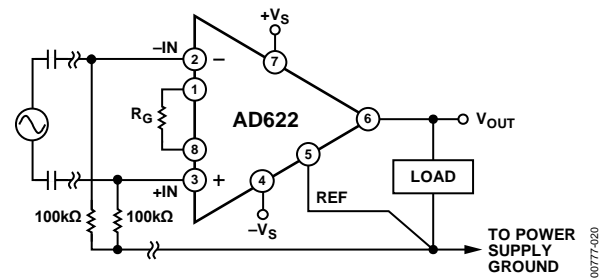
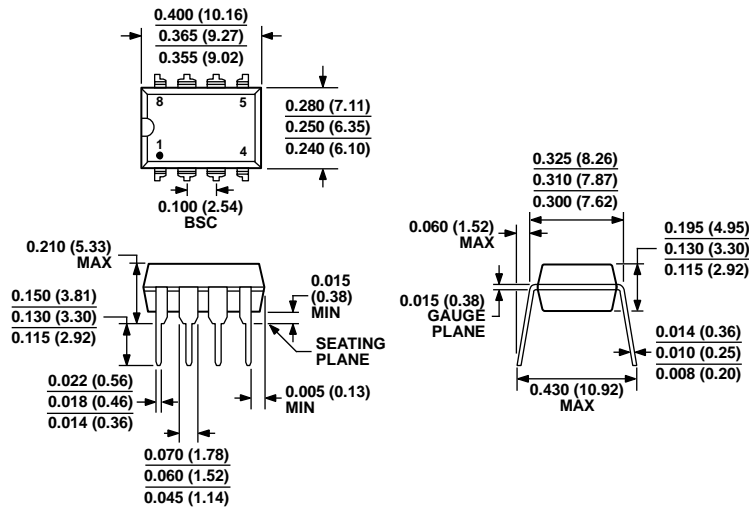


Figure 22. Ground Returns for Bias Currents with AC-Coupled Inputs

OUTLINE DIMENSIONS

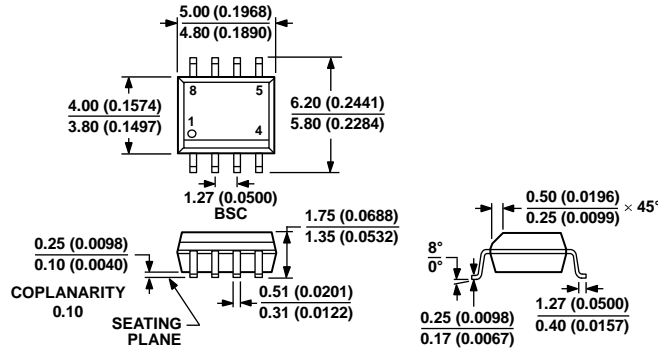


COMPLIANT TO JEDEC STANDARDS MS-001  
 CONTROLLING DIMENSIONS ARE IN INCHES; MILLIMETER DIMENSIONS (IN PARENTHESES) ARE ROUNDED-OFF INCH EQUIVALENTS FOR REFERENCE ONLY AND ARE NOT APPROPRIATE FOR USE IN DESIGN. CORNER LEADS MAY BE CONFIGURED AS WHOLE OR HALF LEADS.

Figure 23. 8-Lead Plastic Dual In-Line Package [PDIP] Narrow Body (N-8)

Dimensions shown in inches and (millimeters)

070606-A



COMPLIANT TO JEDEC STANDARDS MS-012-AA  
 CONTROLLING DIMENSIONS ARE IN MILLIMETERS; INCH DIMENSIONS (IN PARENTHESES) ARE ROUNDED-OFF MILLIMETER EQUIVALENTS FOR REFERENCE ONLY AND ARE NOT APPROPRIATE FOR USE IN DESIGN.

Figure 24. 8-Lead Standard Small Outline Package [SOIC\_N] Narrow Body (R-8)

Dimensions shown in millimeters and (inches)

012407-A

**ORDERING GUIDE**

| <b>Model<sup>1</sup></b> | <b>Temperature Range</b> | <b>Package Description</b> | <b>Package Option</b> |
|--------------------------|--------------------------|----------------------------|-----------------------|
| AD622ANZ                 | -40°C to +85°C           | 8-Lead PDIP                | N-8                   |
| AD622AR                  | -40°C to +85°C           | 8-Lead SOIC_N              | R-8                   |
| AD622AR-REEL             | -40°C to +85°C           | 8-Lead SOIC_N              | R-8                   |
| AD622AR-REEL7            | -40°C to +85°C           | 8-Lead SOIC_N              | R-8                   |
| AD622ARZ                 | -40°C to +85°C           | 8-Lead SOIC_N              | R-8                   |
| AD622ARZ-RL              | -40°C to +85°C           | 8-Lead SOIC_N              | R-8                   |
| AD622ARZ-R7              | -40°C to +85°C           | 8-Lead SOIC_N              | R-8                   |

<sup>1</sup> Z = RoHS Compliant Part.

**NOTES**

**NOTES**



## Данный компонент на территории Российской Федерации

### Вы можете приобрести в компании MosChip.

Для оперативного оформления запроса Вам необходимо перейти по данной ссылке:

<http://moschip.ru/get-element>

Вы можете разместить у нас заказ для любого Вашего проекта, будь то серийное производство или разработка единичного прибора.

В нашем ассортименте представлены ведущие мировые производители активных и пассивных электронных компонентов.

Нашей специализацией является поставка электронной компонентной базы двойного назначения, продукции таких производителей как XILINX, Intel (ex.ALTERA), Vicor, Microchip, Texas Instruments, Analog Devices, Mini-Circuits, Amphenol, Glenair.

Сотрудничество с глобальными дистрибьюторами электронных компонентов, предоставляет возможность заказывать и получать с международных складов практически любой перечень компонентов в оптимальные для Вас сроки.

На всех этапах разработки и производства наши партнеры могут получить квалифицированную поддержку опытных инженеров.

Система менеджмента качества компании отвечает требованиям в соответствии с ГОСТ Р ИСО 9001, ГОСТ РВ 0015-002 и ЭС РД 009

### Офис по работе с юридическими лицами:

105318, г.Москва, ул.Щербаковская д.3, офис 1107, 1118, ДЦ «Щербаковский»

Телефон: +7 495 668-12-70 (многоканальный)

Факс: +7 495 668-12-70 (доб.304)

E-mail: [info@moschip.ru](mailto:info@moschip.ru)

Skype отдела продаж:

moschip.ru

moschip.ru\_4

moschip.ru\_6

moschip.ru\_9