



# 2.4 GHz High-Power, High-Gain Power Amplifier

## SST12LP15

**Not Recommended for New Designs**

*The SST12LP15 is a high-power, high-gain power amplifier based on the highly-reliable InGaP/GaAs HBT technology. Easily configured for high-power, high-efficiency applications with superb power-added efficiency, it typically provides 35 dB gain with 26% power added efficiency @  $P_{OUT} = 24$  dBm for 802.11g and 29% power-added efficiency @  $P_{OUT} = 25$  dBm for 802.11b. The SST12LP15 has excellent linearity while meeting 802.11g spectrum mask at 24+ dBm, and is offered in 16-contact VQFN package.*

## Features

- **High Gain:**
  - Typically 35 dB gain across 2.4~2.5 GHz over temperature 0°C to +80°C
- **High linear output power:**
  - >29 dBm P1dB (Exceeding maximum rating of average output power, never measure with CW source! Pulsed single-tone source with <50% duty cycle is recommended.)
  - Meets 802.11g OFDM ACPR requirement up to 25 dBm
  - Added EVM~4% up to 23.5 dBm for 54 Mbps 802.11g signal
  - Meets 802.11b ACPR requirement up to 25 dBm
- **High power-added efficiency/Low operating current for both 802.11g/b applications**
  - ~26%/290 mA @  $P_{OUT} = 24$  dBm for 802.11g
  - ~29%/340 mA @  $P_{OUT} = 25$  dBm for 802.11b
- **Built-in Ultra-low  $I_{REF}$  power-up/down control**
  - $I_{REF} < 2$  mA
- **Low idle current**
  - ~50 mA  $I_{CQ}$
- **High-speed power-up/down**
  - Turn on/off time (10%~90%) <100 ns
  - Typical power-up/down delay with driver delay included <200 ns
- **High temperature stability**
  - ~1 dB gain/power variation between 0°C to +80°C
  - ~1 dB detector variation over 0°C to +80°C
- **Low shut-down current (< 0.1  $\mu$ A)**
- **On-chip power detection**
- **25 dB dynamic range on-chip power detection**
- **Simple input/output matching**
- **Packages available**
  - 16-contact VQFN (3mm x 3mm)
  - Non-Pb (lead-free) packages available

## Applications

- WLAN (IEEE 802.11g/b)
- Home RF
- Cordless phones
- 2.4 GHz ISM wireless equipment



A Microchip Technology Company

# 2.4 GHz High-Power, High-Gain Power Amplifier

## SST12LP15

Not Recommended for New Designs

### Product Description

The SST12LP15 is a high-power, high-gain power amplifier based on the highly-reliable InGaP/GaAs HBT technology.

The SST12LP15 can be easily configured for high-power, high-efficiency applications with superb power-added efficiency while operating over the 2.4~2.5 GHz frequency band. It typically provides 35 dB gain with 26% power-added efficiency @  $P_{OUT} = 24$  dBm for 802.11g and 29% power-added efficiency @  $P_{OUT} = 25$  dBm for 802.11b.

The SST12LP15 has excellent linearity, typically ~4% added EVM at 23.5 dBm output power which is essential for 54 Mbps 802.11g operation while meeting 802.11g spectrum mask at 24+ dBm. SST12LP15 also has wide-range (>25 dB), temperature-stable (~1 dB over 80°C), single-ended/differential power detectors which lower users' cost on power control.

The power amplifier IC also features easy board-level usage along with high-speed power-up/down control. Ultra-low reference current (total  $I_{REF} < 2$  mA) makes the SST12LP15 controllable by an on/off switching signal directly from the baseband chip. These features coupled with low operating current make the SST12LP15 ideal for the final stage power amplification in battery-powered 802.11g/b WLAN transmitter applications.

The SST12LP15 is offered in 16-contact VQFN package. See Figure 2 for pin assignments and Table 1 for pin descriptions.



# 2.4 GHz High-Power, High-Gain Power Amplifier SST12LP15

Not Recommended for New Designs

## Functional Blocks

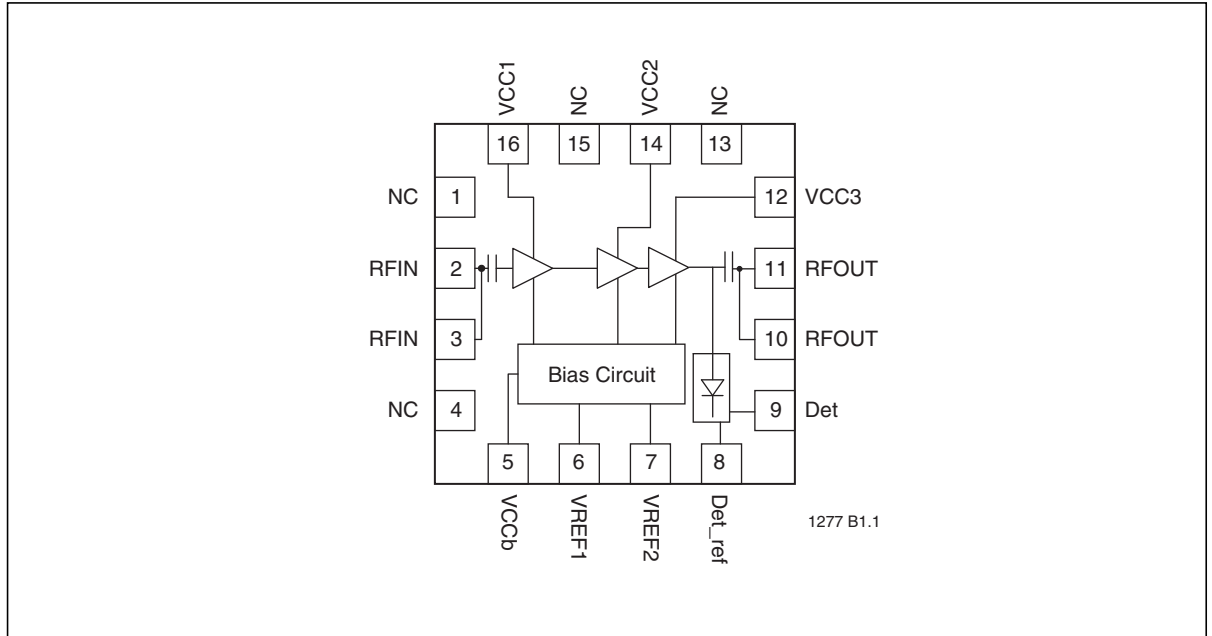


Figure 1: Functional Block Diagram



Not Recommended for New Designs

### Pin Assignments

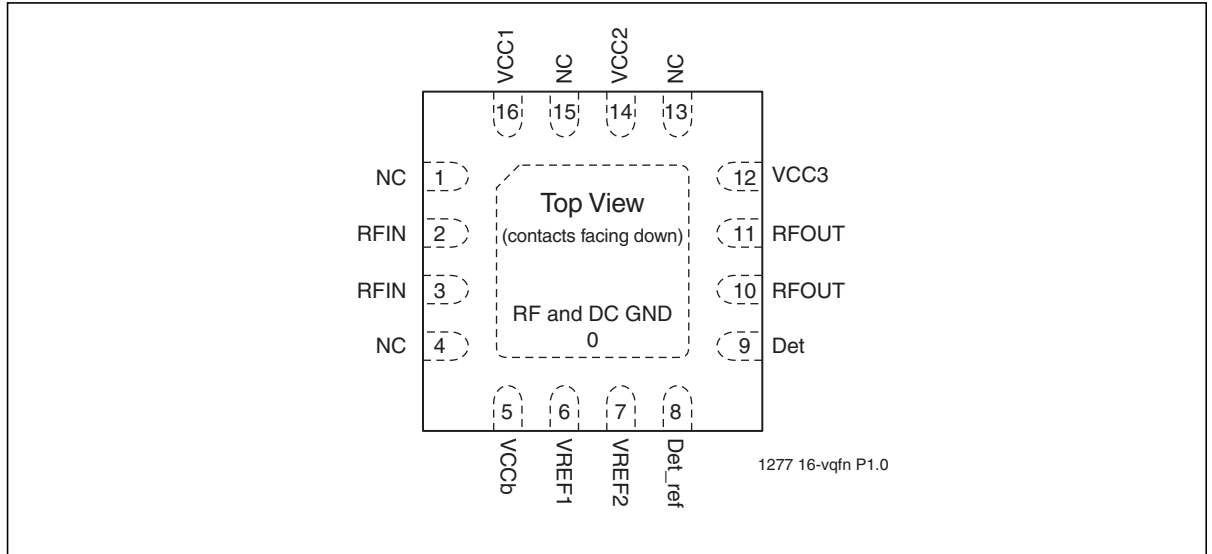


Figure 2: Pin Assignments for 16-contact VQFN

### Pin Descriptions

Table 1: Pin Description

Symbol	Pin No.	Pin Name	Type <sup>1</sup>	Function
GND	0	Ground		The center pad should be connected to RF ground with several low inductance, low resistance vias.
NC	1	No Connection		Unconnected pins.
RFIN	2		I	RF input, DC decoupled
RFIN	3		I	RF input, DC decoupled
NC	4	No Connection		Unconnected pins.
VCCb	5	Power Supply	PWR	Supply voltage for bias circuit
VREF1	6		PWR	1st and 2nd stage idle current control
VREF2	7		PWR	3rd stage idle current control
Det_ref	8		O	On-chip power detector reference
Det	9		O	On-chip power detector
RFOUT	10		O	RF output
RFOUT	11		O	RF output
VCC3	12	Power Supply	PWR	Power supply, 3rd stage
NC	13	No Connection		Unconnected pins.
VCC2	14	Power Supply	PWR	Power supply, 2nd stage
NC	15	No Connection		Unconnected pins.
VCC1	16	Power Supply	PWR	Power supply, 1st stage

1. I=Input, O=Output

T1.0 75030



# 2.4 GHz High-Power, High-Gain Power Amplifier

## SST12LP15

Not Recommended for New Designs

### Electrical Specifications

The AC and DC specifications for the power amplifier interface signals. Refer to Table 3 for the DC voltage and current specifications. Refer to Figures 3 through 11 for the RF performance.

**Absolute Maximum Stress Ratings** (Applied conditions greater than those listed under “Absolute Maximum Stress Ratings” may cause permanent damage to the device. This is a stress rating only and functional operation of the device at these conditions or conditions greater than those defined in the operational sections of this data sheet is not implied. Exposure to absolute maximum stress rating conditions may affect device reliability.)

Input power to pins 2 and 3 ( $P_{IN}$ )	+5 dBm
Average output power ( $P_{OUT}$ )	+28 dBm
Supply Voltage at pins 5, 12, 14, 16 ( $V_{CC}$ )	-0.3V to +4.6V
Reference voltage to pins 6 ( $V_{REF1}$ ) and pin 7 ( $V_{REF2}$ )	-0.3V to +3.6V
DC supply current ( $I_{CC}$ )	500 mA
Operating Temperature ( $T_A$ )	-40°C to +85°C
Storage Temperature ( $T_{STG}$ )	-40°C to +120°C
Maximum Junction Temperature ( $T_J$ )	+150°C
Surface Mount Solder Reflow Temperature:	“with-Pb” units <sup>1</sup> : 240°C for 3 seconds
	“non-Pb” units: 260°C for 3 seconds

1. Certain “with-Pb” package types are capable of 260°C for 3 seconds; please consult the factory for the latest information.

**Table 2: Operating Range**

Range	Ambient Temp	$V_{DD}$
Industrial	-40°C to +85°C	3.3V

T2.1 75030

**Table 3: DC Electrical Characteristics**

Symbol	Parameter	Min.	Typ	Max.	Unit	Test Conditions
$V_{CC}$	Supply Voltage at pins 5, 12, 14, 16	3.0	3.3	4.2	V	
$I_{CC}$	Supply Current					
	for 802.11g, 24 dBm			290	mA	
$I_{CQ}$	for 802.11g, 25 dBm			340	mA	
	Idle current for 802.11g to meet EVM<4% @ 23dBm		50		mA	
$I_{OFF}$	Shut down current			0.1	μA	
$V_{REG1}$	Reference Voltage for 1st Stage, with 110Ω resistor	2.7 5	2.8	2.85	V	
$V_{REG2}$	Reference Voltage for 2nd Stage, with 270Ω resistor	2.7 5	2.8	2.85	V	

T3.0 75030



# 2.4 GHz High-Power, High-Gain Power Amplifier

## SST12LP15

Not Recommended for New Designs

**Table 4:** AC Electrical Characteristics for Configuration

Symbol	Parameter	Min.	Typ	Max.	Unit
F <sub>L-U</sub>	Frequency range	2400		2485	MHz
P <sub>OUT</sub>	Output power @ PIN = -10 dBm 11b signals	25			dBm
	@ PIN = -11 dBm 11g signals		24		dBm
G	Small signal gain	35	36		dB
G <sub>VAR1</sub>	Gain variation over band (2400~2485 MHz)			±0.5	dB
G <sub>VAR2</sub>	Gain ripple over channel (20 MHz)		0.2		dB
Stability	Spurious output @ 25.5 dBm 54 Mbps OFDM signal when VSWR=6:1 all angle			-60	dBc
Output VSWR Ruggedness	Survivable time @ 25.5 dBm (to 50Ω) 54 Mbps OFDM signal when VSWR=10:1 all angle	10			second
ACPR	Meet 11b spectrum mask	24	25		dBm
	Meet 11g OFDM 54 MBPS spectrum mask	24			dBm
Added EVM	@ 23.5 dBm output with 11g OFDM 54 MBPS signal		4		%
2f, 3f, 4f, 5f	Harmonics at 22 dBm, without trapping capacitors			-40	dBc

T4.0 75030



# 2.4 GHz High-Power, High-Gain Power Amplifier SST12LP15

Not Recommended for New Designs

## Typical Performance Characteristics

Test Conditions:  $V_{CC} = 3.3V$ ,  $T_A = 25^\circ C$

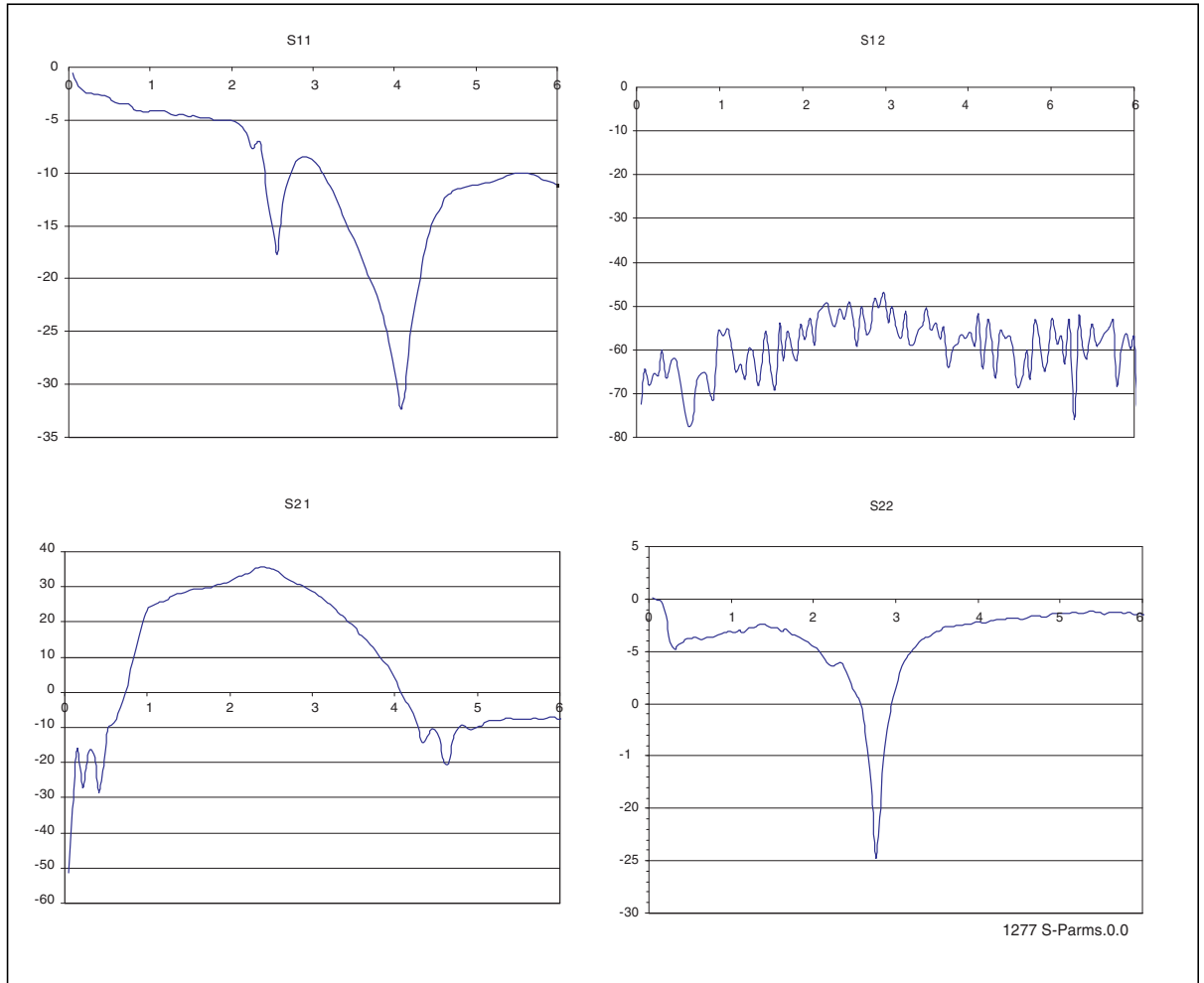
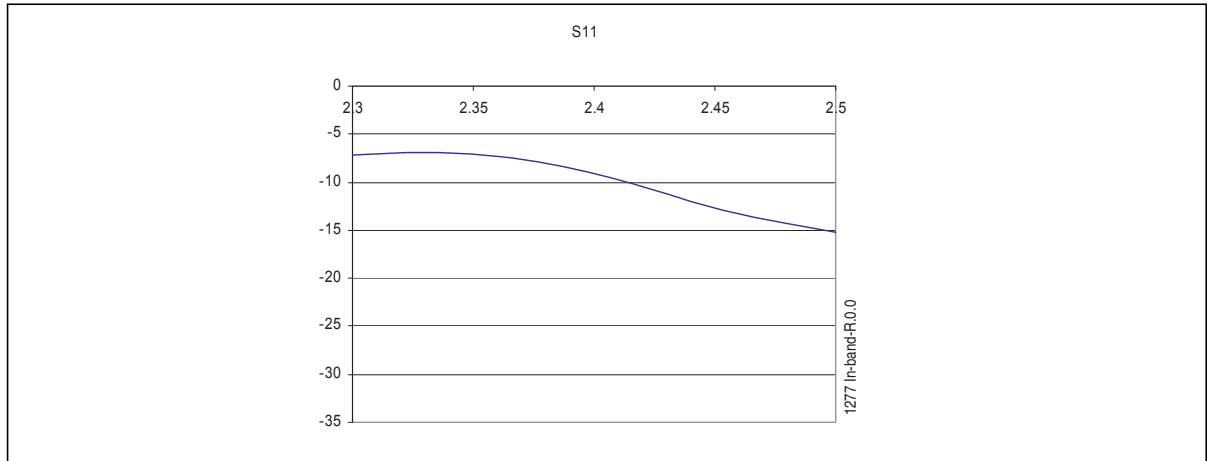


Figure 3: S-Parameters

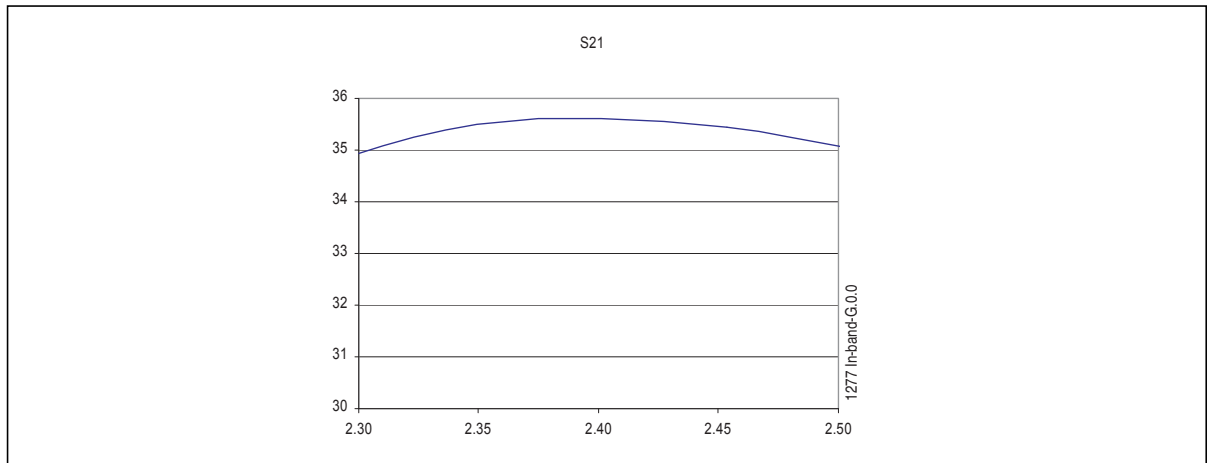


# 2.4 GHz High-Power, High-Gain Power Amplifier SST12LP15

Not Recommended for New Designs



**Figure 4:** In-band Return Loss



**Figure 5:** In-band Gain Flatness





### Typical Performance Characteristics

Test Conditions: F1 = 2.45 GHz, F2 = 2.451 GHz

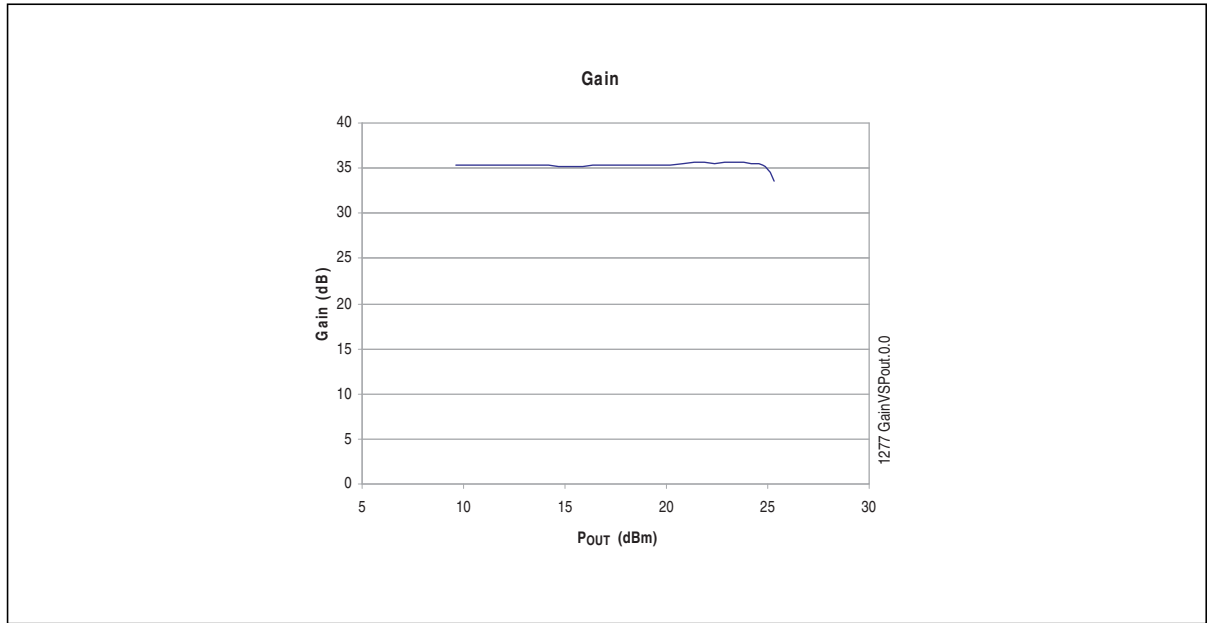


Figure 6: Gain vs. P<sub>OUT</sub>

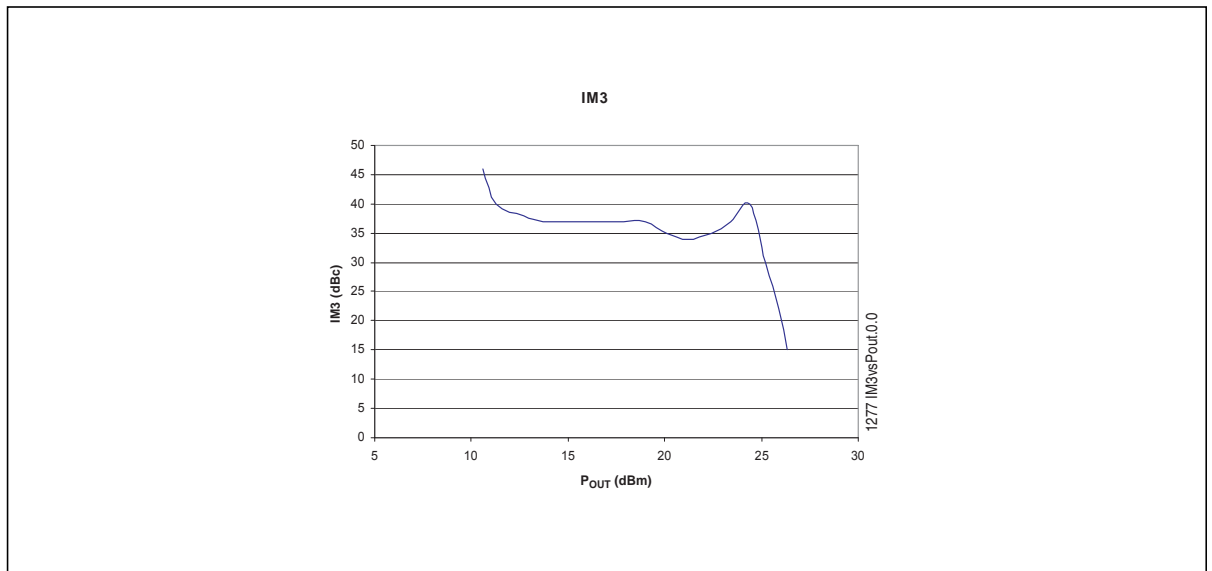


Figure 7: IM3 vs. P<sub>OUT</sub>



# 2.4 GHz High-Power, High-Gain Power Amplifier SST12LP15

Not Recommended for New Designs

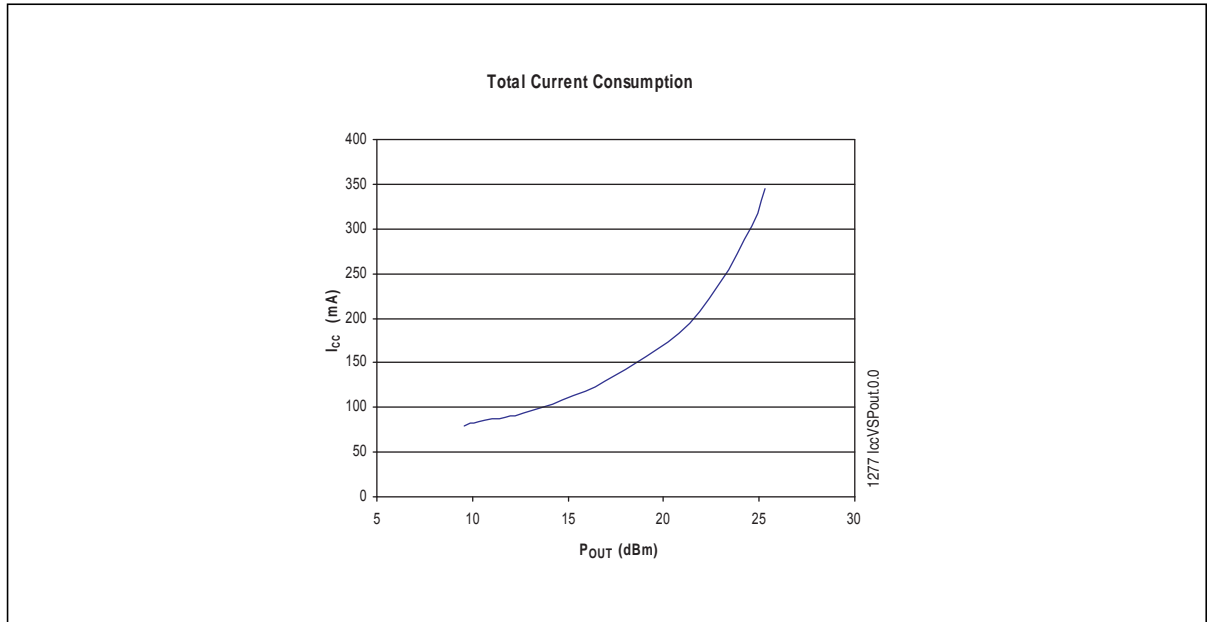


Figure 8: I<sub>CC</sub> vs. P<sub>OUT</sub>

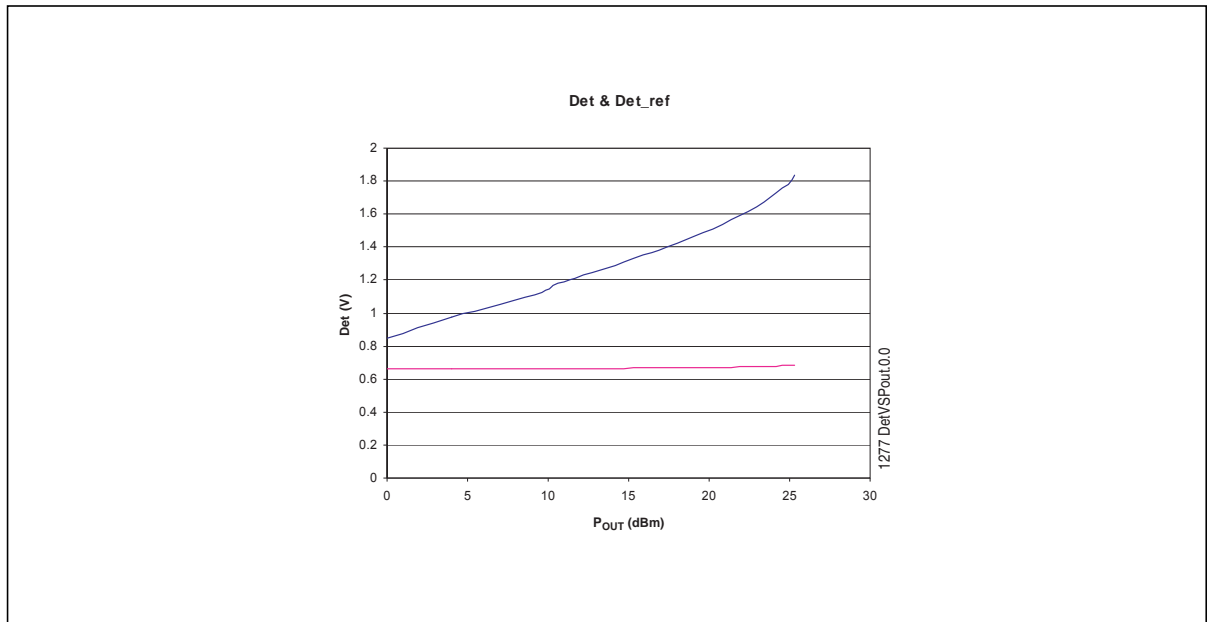


Figure 9: Detectors vs. P<sub>OUT</sub>



# 2.4 GHz High-Power, High-Gain Power Amplifier SST12LP15

Not Recommended for New Designs

## Typical Performance Characteristics

Test Conditions:  $V_{CC} = 3.3V$ ,  $T_A = 25^\circ C$ ,  $F = 2.45\text{ GHz}$ , 54 Mbps 802.11g OFDM signal

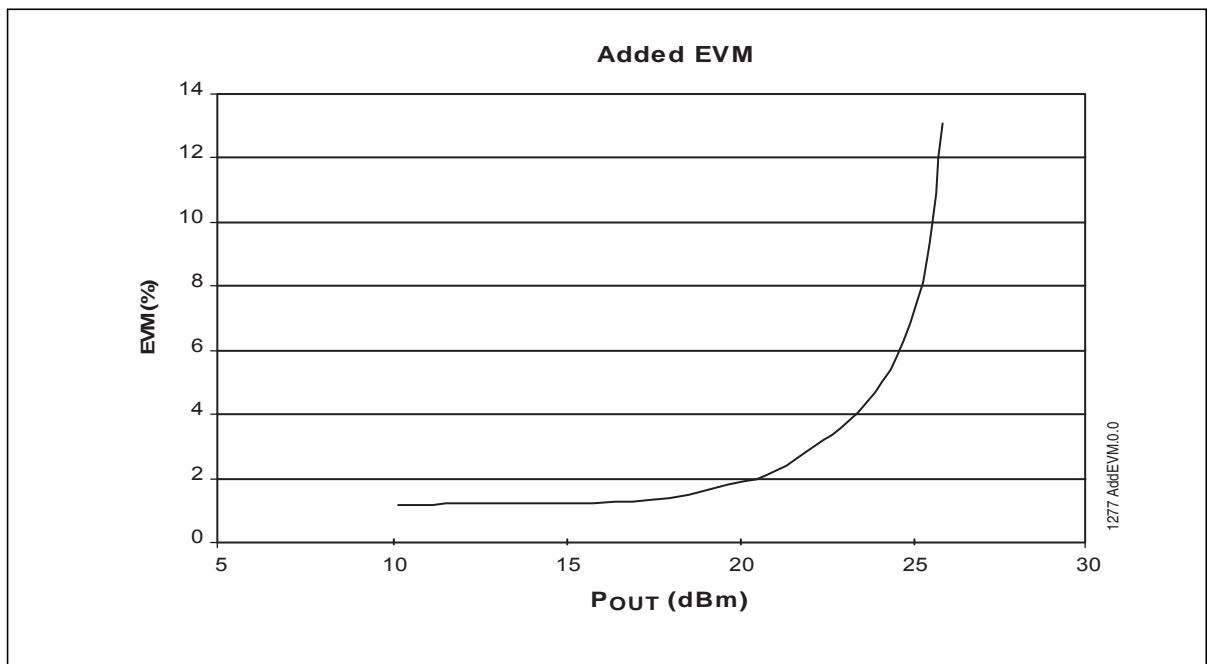
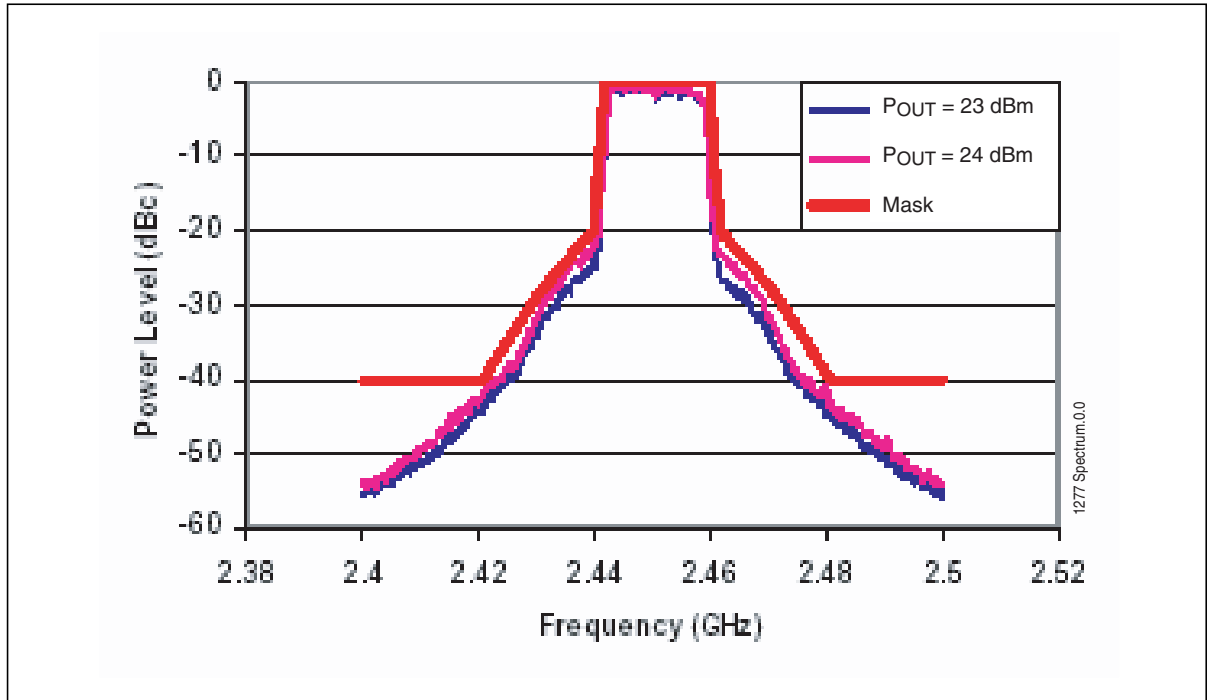


Figure 10: 802.11g Spectrum at 23/24 dBm, DC current 240/290 mA



# 2.4 GHz High-Power, High-Gain Power Amplifier SST12LP15

Not Recommended for New Designs

## Typical Performance Characteristics

Test Conditions:  $V_{CC} = 3.3V$ ,  $T_A = 25^\circ C$ , 1 Mbps 802.11B CCK signal

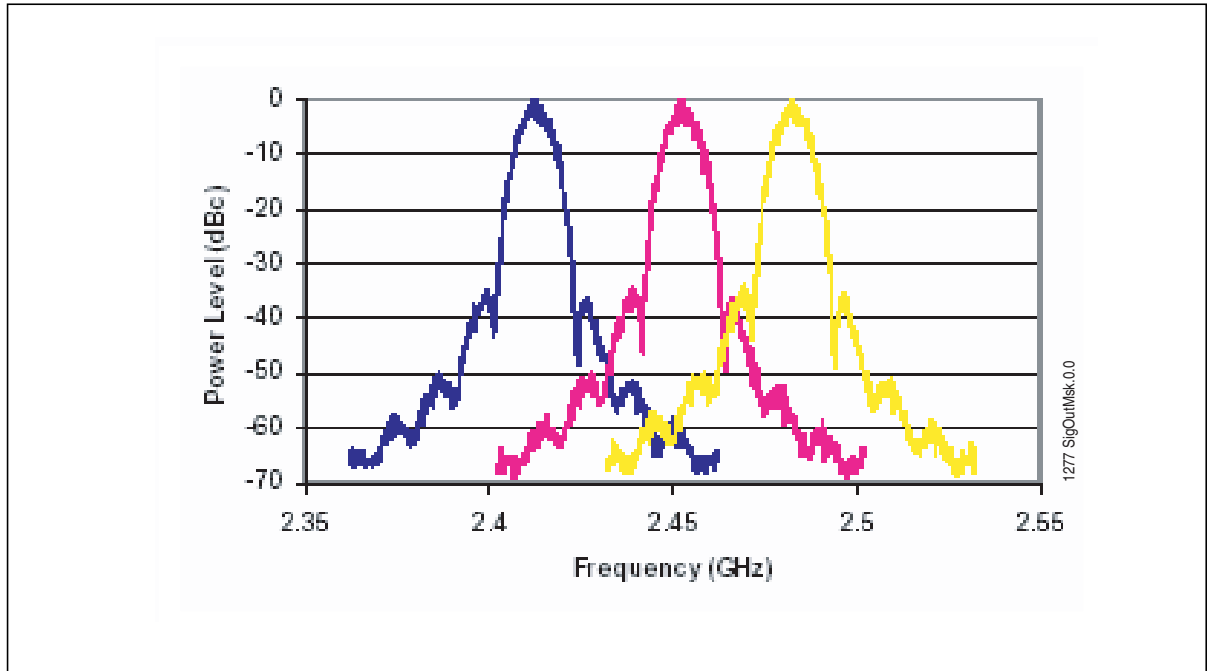
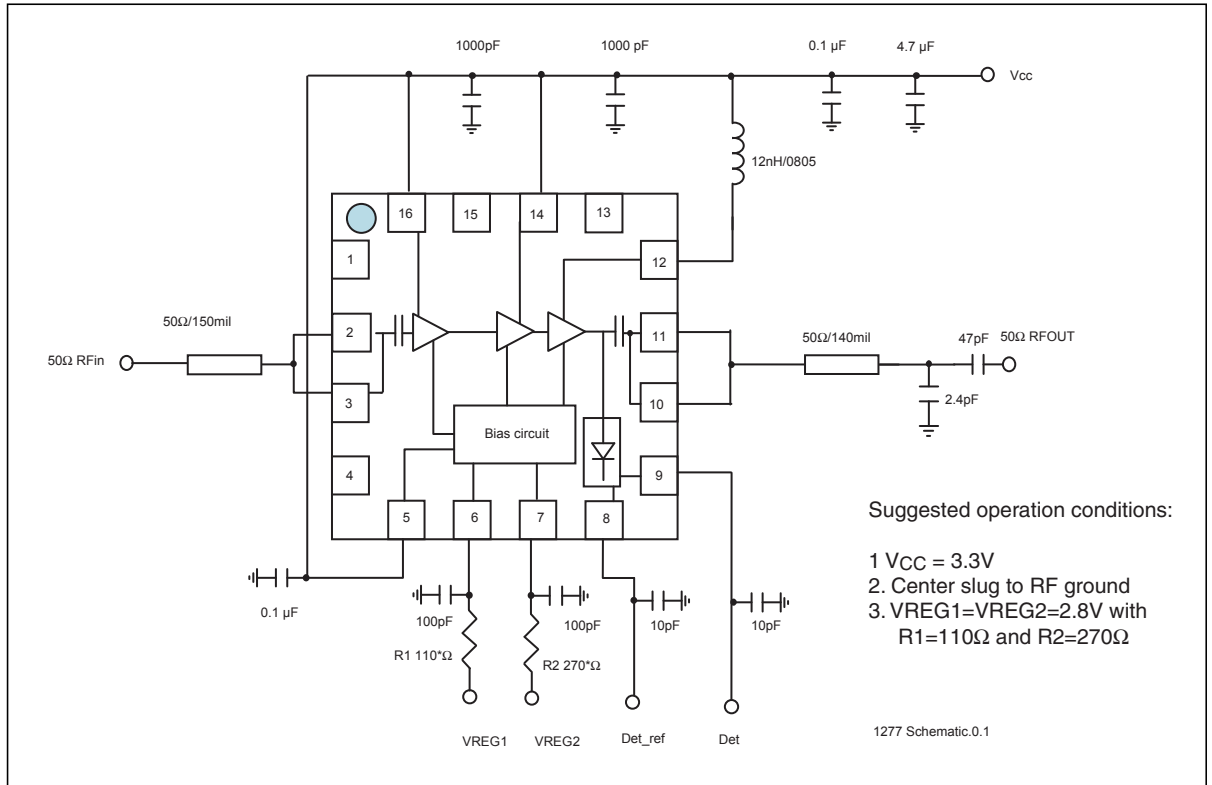


Figure 11: 802.11B Signal Output Mask at 25 dBm, DC current 340 mA



# 2.4 GHz High-Power, High-Gain Power Amplifier SST12LP15

Not Recommended for New Designs



**Figure 12:** Typical Schematic for High-Power, High-Efficiency 802.11b/g Applications

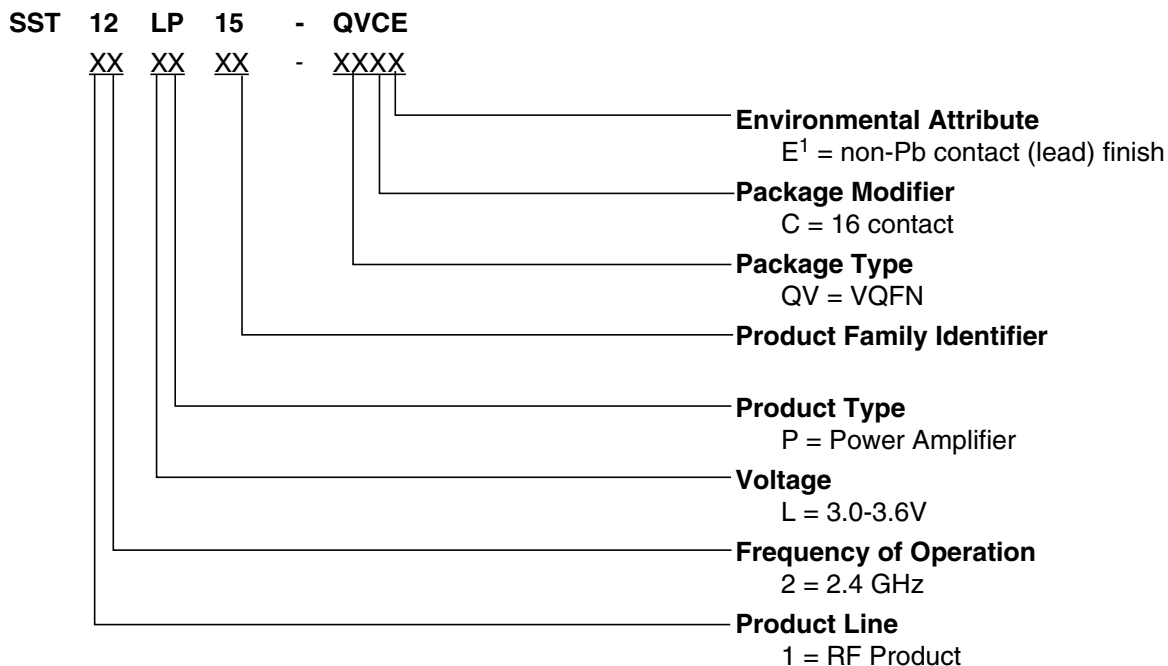


# 2.4 GHz High-Power, High-Gain Power Amplifier

## SST12LP15

Not Recommended for New Designs

### Product Ordering Information



1. Environmental suffix "E" denotes non-Pb solder. SST non-Pb solder devices are "RoHS Compliant".

#### Valid combinations for SST12LP15

SST12LP15-QVC

SST12LP15-QVCE

#### SST12LP15 Evaluation Kits

SST12LP15-QVC-K

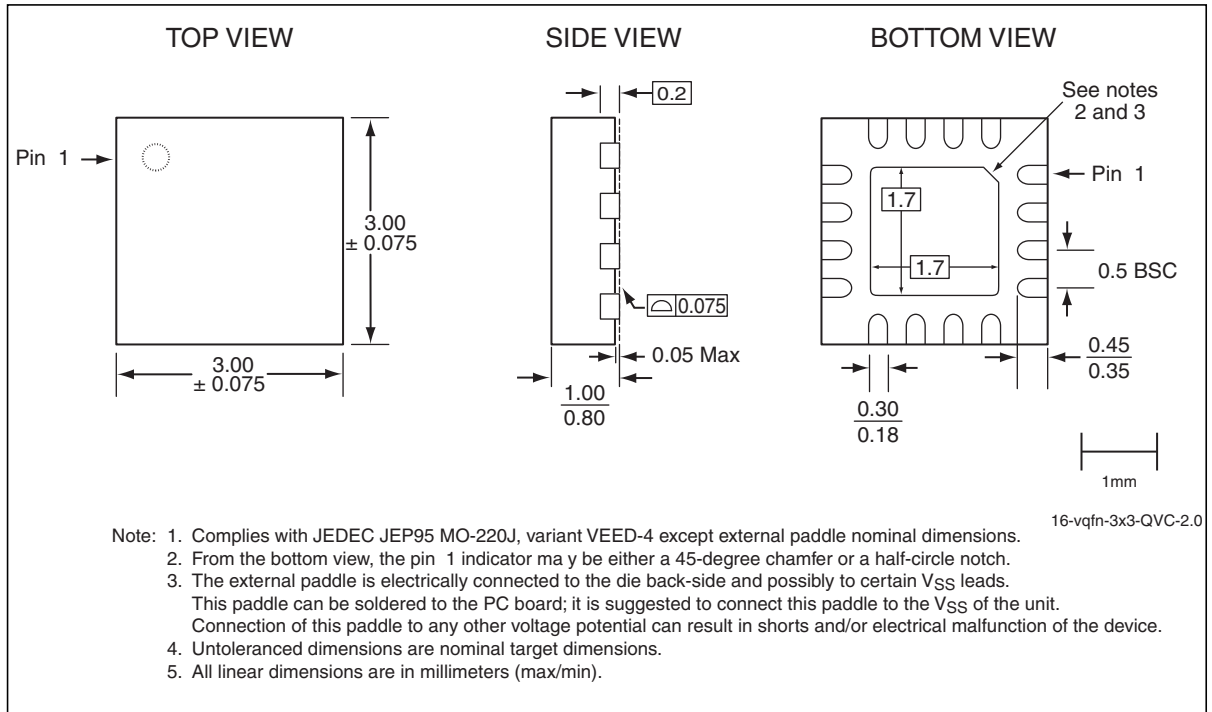
SST12LP15-QVCE-K

**Note:** Valid combinations are those products in mass production or will be in mass production. Consult your SST sales representative to confirm availability of valid combinations and to determine availability of new combinations.



Not Recommended for New Designs

### Packaging Diagrams



**Figure 13:** 16-Contact Very-thin Quad Flat No-lead (VQFN)  
SST Package Code: QVC



# 2.4 GHz High-Power, High-Gain Power Amplifier

## SST12LP15

Not Recommended for New Designs

**Table 5:**Revision History

Revision	Description	Date
00	<ul style="list-style-type: none"> <li>S71277: SST conversion of data sheet GP1215</li> </ul>	Jan 2005
01	<ul style="list-style-type: none"> <li>Updated document status from Preliminary Specification to Data Sheet</li> </ul>	Apr 2008
02	<ul style="list-style-type: none"> <li>Updated "Contact Information" on page 12.</li> </ul>	Feb 2009
A	<ul style="list-style-type: none"> <li>Applied new document format</li> <li>Released document under letter revision system</li> <li>Updated Spec number from S71277 to DS75030</li> </ul>	Oct 2011

ISBN:978-1-61341-698-3

© 2011 Silicon Storage Technology, Inc—a Microchip Technology Company. All rights reserved.

SST, Silicon Storage Technology, the SST logo, SuperFlash, MTP, and FlashFlex are registered trademarks of Silicon Storage Technology, Inc. MPF, SQI, Serial Quad I/O, and Z-Scale are trademarks of Silicon Storage Technology, Inc. All other trademarks and registered trademarks mentioned herein are the property of their respective owners.

Specifications are subject to change without notice. Refer to [www.microchip.com](http://www.microchip.com) for the most recent documentation. For the most current package drawings, please see the Packaging Specification located at <http://www.microchip.com/packaging>.

Memory sizes denote raw storage capacity; actual usable capacity may be less.

SST makes no warranty for the use of its products other than those expressly contained in the Standard Terms and Conditions of Sale.

For sales office locations and information, please see [www.microchip.com](http://www.microchip.com).

---

Silicon Storage Technology, Inc.  
A Microchip Technology Company  
[www.microchip.com](http://www.microchip.com)

---



## Данный компонент на территории Российской Федерации

### Вы можете приобрести в компании MosChip.

Для оперативного оформления запроса Вам необходимо перейти по данной ссылке:

<http://moschip.ru/get-element>

Вы можете разместить у нас заказ для любого Вашего проекта, будь то серийное производство или разработка единичного прибора.

В нашем ассортименте представлены ведущие мировые производители активных и пассивных электронных компонентов.

Нашей специализацией является поставка электронной компонентной базы двойного назначения, продукции таких производителей как XILINX, Intel (ex.ALTERA), Vicor, Microchip, Texas Instruments, Analog Devices, Mini-Circuits, Amphenol, Glenair.

Сотрудничество с глобальными дистрибьюторами электронных компонентов, предоставляет возможность заказывать и получать с международных складов практически любой перечень компонентов в оптимальные для Вас сроки.

На всех этапах разработки и производства наши партнеры могут получить квалифицированную поддержку опытных инженеров.

Система менеджмента качества компании отвечает требованиям в соответствии с ГОСТ Р ИСО 9001, ГОСТ РВ 0015-002 и ЭС РД 009

### Офис по работе с юридическими лицами:

105318, г.Москва, ул.Щербаковская д.3, офис 1107, 1118, ДЦ «Щербаковский»

Телефон: +7 495 668-12-70 (многоканальный)

Факс: +7 495 668-12-70 (доб.304)

E-mail: [info@moschip.ru](mailto:info@moschip.ru)

Skype отдела продаж:

moschip.ru

moschip.ru\_4

moschip.ru\_6

moschip.ru\_9