



## Main

Range of product	Altivar
Product or component type	EMC input filter
Range compatibility	Altivar 312 Lexium 05 Altivar 31C Altivar 212 Lexium 23 Plus Altivar 312 Solar Altivar Machine ATV320
Product compatibility	LXM23 at 0.75 kW LXM23 at 1 kW LXM23 at 1.5 kW LXM23 at 2 kW LXM23 at 3 kW ATV320...C at 0.37 kW, 380...500 V three phase ATV320...C at 0.55 kW, 380...500 V three phase ATV320...C at 0.75 kW, 380...500 V three phase ATV320...C at 1.1 kW, 380...500 V three phase ATV320...C at 1.5 kW, 380...500 V three phase ATV320...C at 1.1 kW, 200...240 V three phase ATV320...C at 1.5 kW, 200...240 V three phase ATV320...C at 2.2 kW, 200...240 V three phase
Product specific application	Radio interference input filter
Line Rated Current	15 A
Thermal losses	0.13 W ATV21H075N4 0.45 W ATV21HU15N4 0.47 W ATV21H075M3X 0.9 W ATV21HU22N4 1.6 W ATV21HU15M3X 3.3 W ATV21HU22M3X 9.9 W ATV31HU11M3X
Phase	Three phase

## Complementary

Electrical connection	Terminal 10 mm <sup>2</sup> AWG 6
Tightening torque	15.93 lbf.in (1.8 N.m)
Earth leakage current	15 mA at 200...480 V 50 Hz 13.8 mA at 480 V 60 Hz 6.7 mA at 230 V 60 Hz
Network rated voltage	200...240 V 380...500 V
Tolerance	10 %
Product weight	2.2 lb(US) (1 kg)

## Environment

IP degree of protection	IP20 IP41 (upper part)
relative humidity	0...93 % conforming to IEC 68-2-3
ambient air temperature for operation	14...122 °F (-10...50 °C)
ambient air temperature for storage	-13...158 °F (-25...70 °C)
operating altitude	<= 3280.84 ft (1000 m) without current derating <= 3280.84 ft (1000 m) without derating 3280.84...9842.52 ft (1000...3000 m) with current derating 1 % per 100 m
vibration resistance	1.5 mm peak to peak (f = 3...13 Hz) conforming to IEC 60068-2-6 1 gn (f = 13...150 Hz) conforming to IEC 60068-2-6
shock resistance	15 gn 11 ms conforming to EN/IEC 60068-2-27
standards	EN 133200 EN/IEC 61800-3

The information provided in this documentation contains general descriptions and/or technical characteristics of the performance of the products contained herein. This documentation is not intended as a substitute for and is not to be used for determining suitability or reliability of these products for specific user applications. It is the duty of any such user or integrator to perform the appropriate and complete risk analysis, evaluation and testing of the products with respect to the relevant specific application or use thereof. Neither Schneider Electric Industries SAS nor any of its affiliates or subsidiaries shall be responsible or liable for misuse of the information contained herein.

## Offer Sustainability

WARNING: This product can expose you to chemicals including:

WARNING: This product can expose you to chemicals including:

Lead and lead compounds, which is known to the State of California to cause cancer and birth defects or other reproductive harm.

Lead and lead compounds, which is known to the State of California to cause cancer and birth defects or other reproductive harm.

Bisphenol A (BPA), which is known to the State of California to cause birth defects or other reproductive harm.

Bisphenol A (BPA), which is known to the State of California to cause birth defects or other reproductive harm.

For more information go to [www.p65warnings.ca.gov](http://www.p65warnings.ca.gov)

For more information go to [www.p65warnings.ca.gov](http://www.p65warnings.ca.gov)

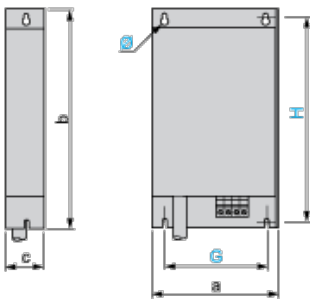
## Contractual warranty

Warranty period

18 months

## Additional EMC Input Filters

### Dimensions



Dimensions in mm

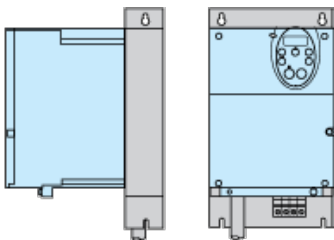
a	b	c	G	H	Ø
107	195	42	85	180	4.5

Dimensions in in.

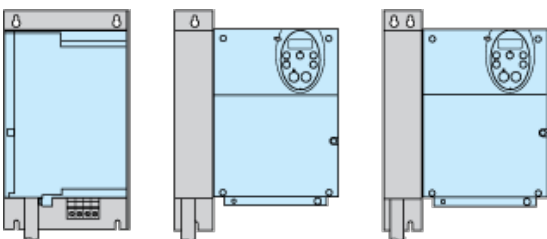
a	b	c	G	H	Ø
4.12	7.68	1.65	3.35	7.09	0.18

## Additional EMC Input Filter

### Mounting the Filter under the Drive



### Mounting the Filter next to the Drive



## Данный компонент на территории Российской Федерации

### Вы можете приобрести в компании MosChip.

Для оперативного оформления запроса Вам необходимо перейти по данной ссылке:

<http://moschip.ru/get-element>

Вы можете разместить у нас заказ для любого Вашего проекта, будь то серийное производство или разработка единичного прибора.

В нашем ассортименте представлены ведущие мировые производители активных и пассивных электронных компонентов.

Нашей специализацией является поставка электронной компонентной базы двойного назначения, продукции таких производителей как XILINX, Intel (ex.ALTERA), Vicor, Microchip, Texas Instruments, Analog Devices, Mini-Circuits, Amphenol, Glenair.

Сотрудничество с глобальными дистрибьюторами электронных компонентов, предоставляет возможность заказывать и получать с международных складов практически любой перечень компонентов в оптимальные для Вас сроки.

На всех этапах разработки и производства наши партнеры могут получить квалифицированную поддержку опытных инженеров.

Система менеджмента качества компании отвечает требованиям в соответствии с ГОСТ Р ИСО 9001, ГОСТ РВ 0015-002 и ЭС РД 009

### Офис по работе с юридическими лицами:

105318, г.Москва, ул.Щербаковская д.3, офис 1107, 1118, ДЦ «Щербаковский»

Телефон: +7 495 668-12-70 (многоканальный)

Факс: +7 495 668-12-70 (доб.304)

E-mail: [info@moschip.ru](mailto:info@moschip.ru)

Skype отдела продаж:

moschip.ru

moschip.ru\_4

moschip.ru\_6

moschip.ru\_9