

## Power terminal block - AK 16 - 0404033

Please be informed that the data shown in this PDF Document is generated from our Online Catalog. Please find the complete data in the user's documentation. Our General Terms of Use for Downloads are valid (<http://download.phoenixcontact.com>)




Power terminal block, Connection method Screw connection, Load current : 76 A, Cross section: 1.5 mm<sup>2</sup> - 16 mm<sup>2</sup>, Width: 9.8 mm, Color: silver

### Product description

Power terminal block, Connection method Screw connection, Load current : 76 A, Cross section: 1.5 mm<sup>2</sup> - 16 mm<sup>2</sup>, Width: 9.8 mm, Color: silver



### Key commercial data

|                                      |   |
|--------------------------------------|---|
| Packing unit                         | 1   |
| Minimum order quantity               | 50  |
| Catalog page                         | Page 499 (CL1-2011)   |
| GTIN                                 | <br>4 017918 001858 |
| Weight per piece (including packing) | 0.0 GRM   |
| Weight per Piece (excluding packing) | 9.51 GRM  |
| Country of origin                    | CHINA   |

### Technical data

#### General

|   |        |
|---|--------|
| Color                                   | silver |
| Insulating material                     | PA     |
| Inflammability class according to UL 94 | V2     |

#### Dimensions

|        |         |
|--------|---------|
| Length | 23.5 mm |
| Width  | 9.8 mm  |

#### Technical data

|                                |  |
|--------------------------------|--|
| Maximum load current           | 76 A (with 16 mm <sup>2</sup> conductor cross section) |
| Nominal current I <sub>N</sub> | 76 A   |

#### Connection data

|                                    |                     |
|------------------------------------|---------------------|
| Conductor cross section solid min. | 1.5 mm <sup>2</sup> |
| Conductor cross section solid max. | 16 mm <sup>2</sup>  |

# Power terminal block - AK 16 - 0404033

## Technical data

### Connection data

|   |                     |
|---|---------------------|
| Conductor cross section stranded min.   | 1.5 mm <sup>2</sup> |
| Conductor cross section stranded max.   | 16 mm <sup>2</sup>  |
| Conductor cross section AWG/kcmil min.  | 16                  |
| Conductor cross section AWG/kcmil max   | 6                   |
| Conductor cross section stranded, with ferrule without plastic sleeve min.              | 1.5 mm <sup>2</sup> |
| Conductor cross section stranded, with ferrule without plastic sleeve max.              | 16 mm <sup>2</sup>  |
| Conductor cross section stranded, with ferrule with plastic sleeve min.                 | 1.5 mm <sup>2</sup> |
| Conductor cross section stranded, with ferrule with plastic sleeve max.                 | 16 mm <sup>2</sup>  |
| 2 conductors with same cross section, solid min.  | 1.5 mm <sup>2</sup> |
| 2 conductors with same cross section, solid max.  | 6 mm <sup>2</sup>   |
| 2 conductors with same cross section, stranded min.                                     | 1.5 mm <sup>2</sup> |
| 2 conductors with same cross section, stranded max.                                     | 6 mm <sup>2</sup>   |
| 2 conductors with same cross section, stranded, ferrules without plastic sleeve, min.   | 1.5 mm <sup>2</sup> |
| 2 conductors with same cross section, stranded, ferrules without plastic sleeve, max.   | 6 mm <sup>2</sup>   |
| 2 conductors with same cross section, stranded, TWIN ferrules with plastic sleeve, min. | 1.5 mm <sup>2</sup> |
| 2 conductors with same cross section, stranded, TWIN ferrules with plastic sleeve, max. | 10 mm <sup>2</sup>  |
| Connection method   | Screw connection    |
| Stripping length  | 16 mm               |
| Screw thread  | M5                  |
| Tightening torque, min  | 2.5 Nm              |
| Tightening torque max   | 3 Nm                |

## Classifications

### eClass

|            |          |
|------------|----------|
| eClass 4.0 | 27141131 |
| eClass 4.1 | 27141131 |
| eClass 5.0 | 27141131 |
| eClass 5.1 | 27141131 |
| eClass 6.0 | 27141120 |

### etim

|          |          |
|----------|----------|
| ETIM 2.0 | EC000897 |
| ETIM 3.0 | EC000897 |
| ETIM 4.0 | EC000897 |

# Power terminal block - AK 16 - 0404033

## Classifications

unspsc

|               |          |
|---------------|----------|
| UNSPSC 6.01   | 30211811 |
| UNSPSC 7.0901 | 39121410 |
| UNSPSC 11     | 39121410 |
| UNSPSC 12.01  | 39121410 |
| UNSPSC 13.2   | 39121410 |

## Approvals

### Certificates

---

Certification

GOST / GOST

---

Certification EX

---

Certification submitted

---

### Approval details

GOST

GOST

## Accessories

Accessories

Assembly

Support - UAB 1 - 3032431

Support, Width: 2 mm, Color: blue



## Power terminal block - AK 16 - 0404033

### Accessories

#### Support - ABN 2/SS - 0404460

Double support, insulating material, optionally for use with 3 x 10 mm or 6 x 6 mm busbar, height in closed state: 39 mm



---

#### Support - AB2/SS - 0404431

Double support, insulating material, optionally for use with 3 mm x 10 mm or 6 mm x 6 mm busbar, height: 48 mm



---

#### Support - AB/SS - 0404428

Support made of insulating material, with retaining screw, for use with either 3 x 10 mm or 6 x 6 mm busbar, color: gray



---

#### Neutral busbar - NLS-CU 3/10 SN 1000MM - 0402174

PEN conductor busbar, 3mm x 10 mm, length: 1000 mm



---

### Marking

#### Zack marker strip - ZB 6:UNBEDRUCKT - 1051003

Zack marker strip, Strip, white, Unlabeled, Can be labeled with: Plotter, Mounting type: Snap into tall marker groove, For term



---

### Tools

## Power terminal block - AK 16 - 0404033

### Accessories

Screwdriver - SZS 1,0X4,0 VDE - 1205066

Screwdriver, bladed, VDE insulated, size: 1.0 x 4.0 x 100 mm, 2-component grip, with non-slip grip



---

Screwdriver - SZS 1,0X6,5 VDE - 1205079

Screwdriver, bladed, VDE insulated, size: 1.0 x 6.5 x 150 mm, 2-component grip, with non-slip grip

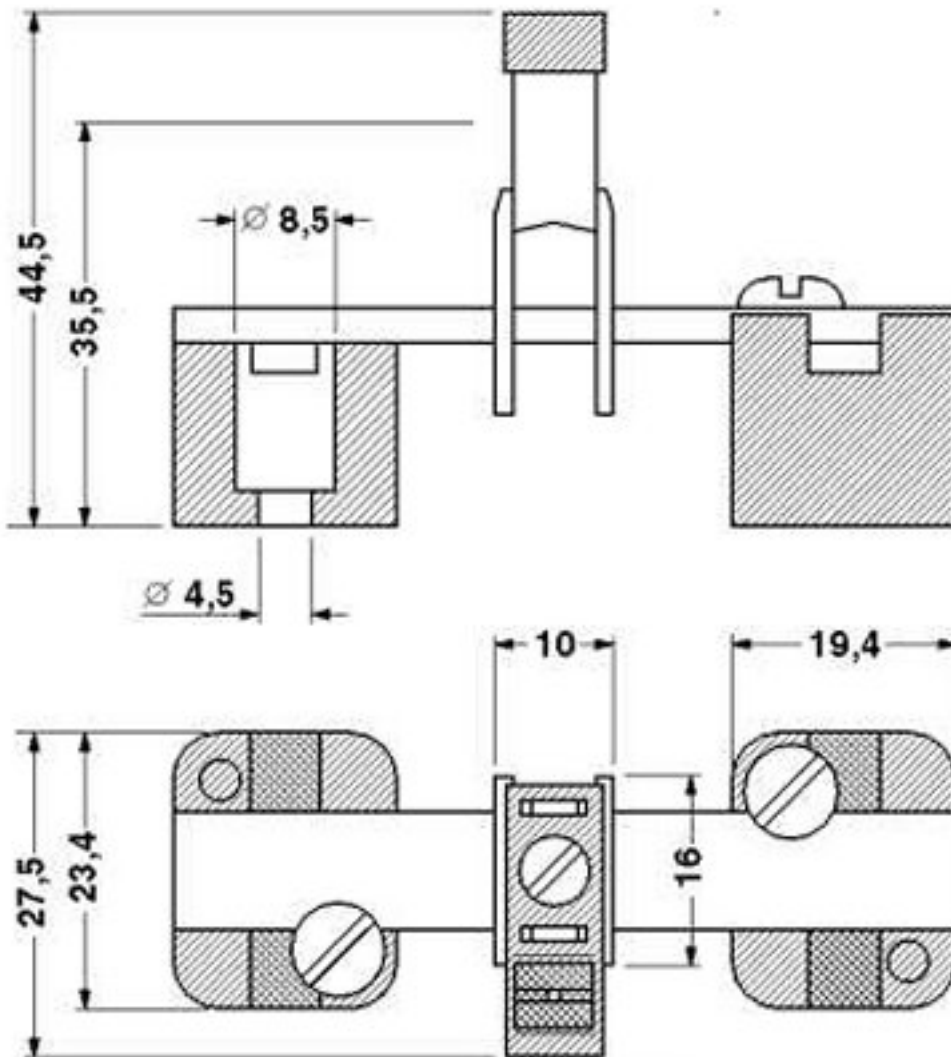


---

### Drawings

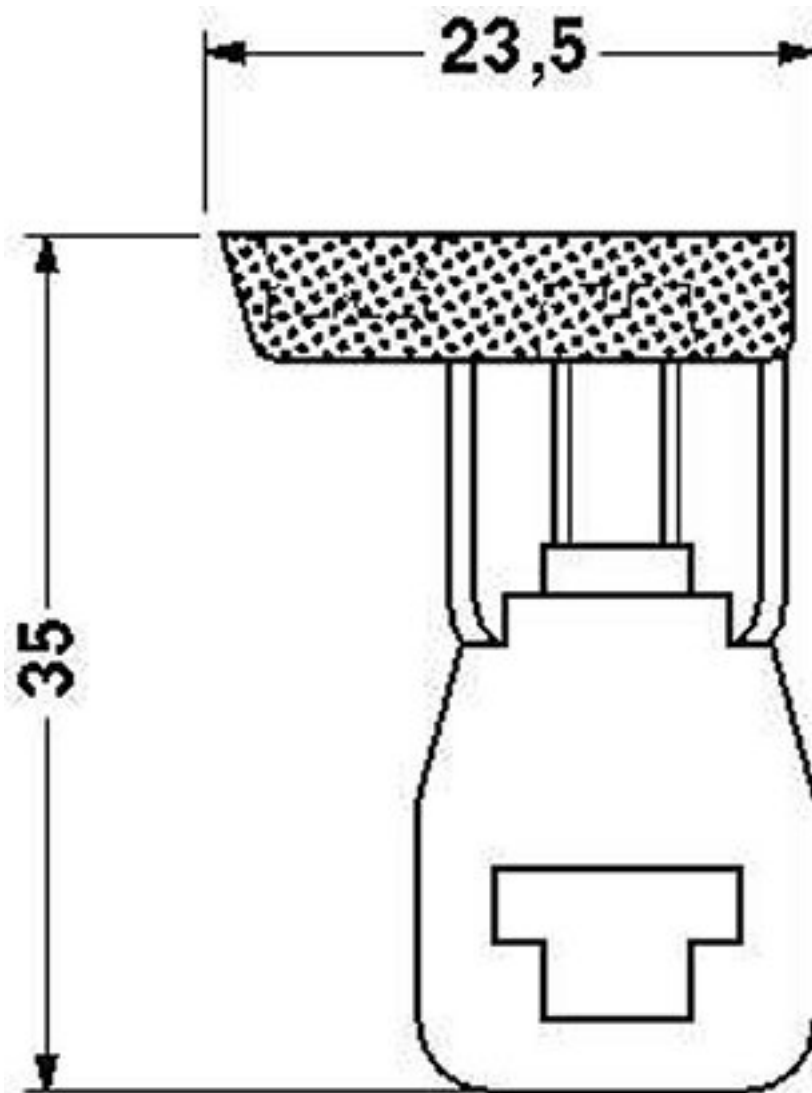
# Power terminal block - AK 16 - 0404033

Dimensioned drawing



## Power terminal block - AK 16 - 0404033

Dimensioned drawing



## Данный компонент на территории Российской Федерации

### Вы можете приобрести в компании MosChip.

Для оперативного оформления запроса Вам необходимо перейти по данной ссылке:

<http://moschip.ru/get-element>

Вы можете разместить у нас заказ для любого Вашего проекта, будь то серийное производство или разработка единичного прибора.

В нашем ассортименте представлены ведущие мировые производители активных и пассивных электронных компонентов.

Нашей специализацией является поставка электронной компонентной базы двойного назначения, продукции таких производителей как XILINX, Intel (ex.ALTERA), Vicor, Microchip, Texas Instruments, Analog Devices, Mini-Circuits, Amphenol, Glenair.

Сотрудничество с глобальными дистрибьюторами электронных компонентов, предоставляет возможность заказывать и получать с международных складов практически любой перечень компонентов в оптимальные для Вас сроки.

На всех этапах разработки и производства наши партнеры могут получить квалифицированную поддержку опытных инженеров.

Система менеджмента качества компании отвечает требованиям в соответствии с ГОСТ Р ИСО 9001, ГОСТ РВ 0015-002 и ЭС РД 009

### Офис по работе с юридическими лицами:

105318, г.Москва, ул.Щербаковская д.3, офис 1107, 1118, ДЦ «Щербаковский»

Телефон: +7 495 668-12-70 (многоканальный)

Факс: +7 495 668-12-70 (доб.304)

E-mail: [info@moschip.ru](mailto:info@moschip.ru)

Skype отдела продаж:

moschip.ru

moschip.ru\_4

moschip.ru\_6

moschip.ru\_9