

Ordering a market-ready enclosure® is made fast and affordable with our complete in-house capabilities. New Age provides machined openings to fit your PCB, pad printing for your graphics, custom enclosures, custom colors, final assembly, testing and fulfillment services to save you additional time and money. Ask your representative for a free quote today 805-595-1310.

## ***Fast and Affordable Customization***

**CNC Modifications  
Pad Printing  
Colored Resins  
EMI/RF Shielding  
Custom Enclosure  
Assembly & Testing**



ISO quality  
off-the-shelf  
to market-ready®

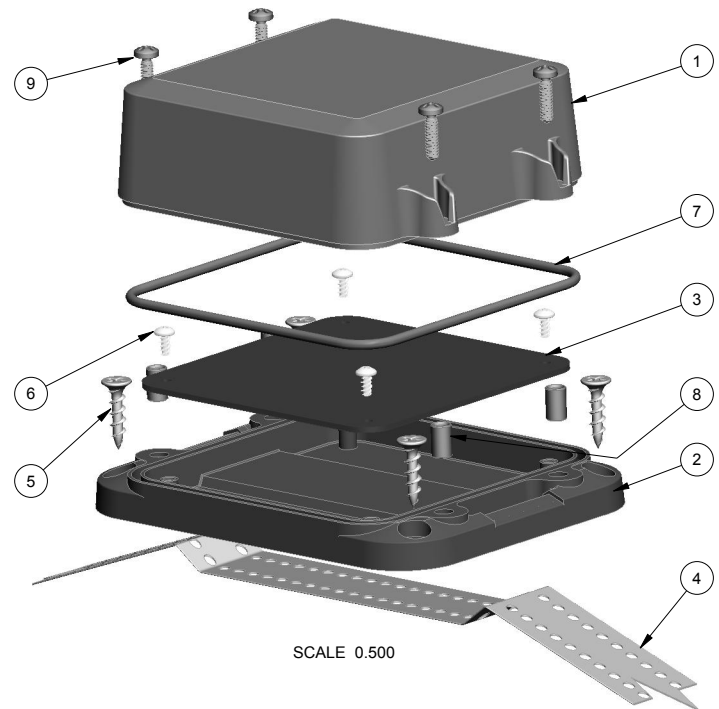
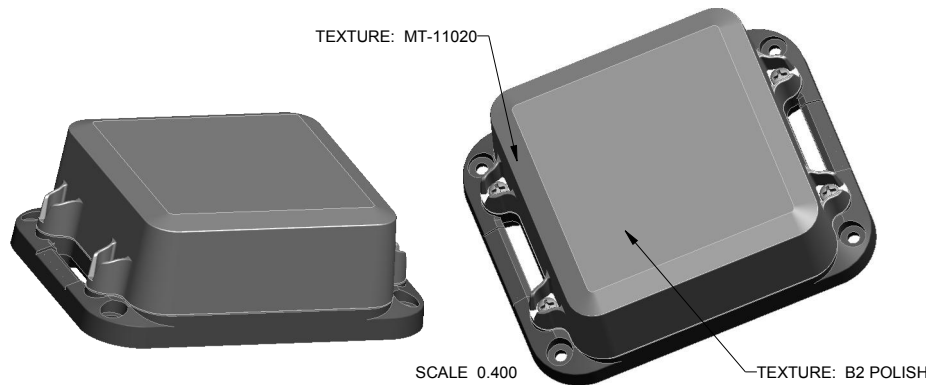
# **NEW AGE ENCLOSURES**

[www.NewAgeEnclosures.com](http://www.NewAgeEnclosures.com)

4330 Santa Fe Road • San Luis Obispo, CA 93401 • T 805.595.1310 • F 805.595.1024

**NOTES: UNLESS OTHERWISE SPECIFIED**

1. CORNERS DRAWN SHARP TO BE R.010 MAXIMUM.
2. EXTERIOR SURFACE TEXTURE TO BE MT-11020, UNLESS SPECIFIED OTHERWISE
3. ALL INSIDE RADII .020R. UNLESS OTHERWISE SPECIFIED.
4. ALL EXTERNAL DIMENSIONS AFFECTED BY THE DRAFT APPLY AT THE LARGE END OF THE FEATURE, AND ALL INTERNAL FEATURES AFFECTED BY THE DRAFT APPLY AT THE SMALL END OF THE FEATURE UNLESS OTHERWISE SPECIFIED.
5. 1 DEGREE DRAFT IN THE DIRECTION OF PULL IS PERMISSIBLE UNLESS OTHERWISE SPECIFIED.
6. MATERIAL / COLOR: ASA PLASTIC IS STANDARD IN BLACK OR GREY. CUSTOM MATERIALS AND COLORS ARE AVAILABLE UPON REQUEST FOR QUOTE. SLIGHT COSMETIC SWIRLING, BLUSHING, AND/OR DISCOLORATION CAN OCCUR IN THIS ENCLOSURE DUE TO UV INHIBITORS IN THE RESIN.
7. PCB SIZES ARE RECOMMENDATIONS ONLY. FINAL SIZES AND VERIFICATION OF IT'S FIT ARE THE SOLE RESPONSIBILITY OF EACH CUSTOMER.
8. ASSEMBLY SCREWS FOR THE ENCLOSURE INCLUDED. MOUNTING SCREWS FOR THE PCB ARE CUSTOMER SUPPLIED.
9. THIS DRAWING IS BASED ON A SOLID MODEL, AND IS FURTHER DEFINED BY THE SOLID MODEL FILE.
10. ALLOWABLE FLASH: 0.010 MAX.
11. ALL EJECTOR PIN MARKS TO BE WITHIN 0.010" OF FLUSH, PROTRUDING OR BELOW FLUSH.
12. TRIM GATE WITHIN 0.030" OF FLUSH.
13. THIS ENCLOSURE IS CONSTRUCTED FOR INDOOR OR OUTDOOR USE TO PROVIDE A DEGREE OF PROTECTION TO THE EQUIPMENT INSIDE AGAINST THE INGRESS OF SOLID FOREIGN OBJECTS (FALLING DIRT); AND TO PROVIDE A DEGREE OF PROTECTION WITH RESPECT TO TO HARMFUL EFFECTS ON THE EQUIPMENT DUE TO THE INGRESS OF WATER (DRIPPING OR SPLASHING).



R E V I S I O N					
REV.	DRAWN BY	ECO No	DESCRIPTION	DATE	APPROVED
A	R CRUZ	DR XXX	PRELIMINARY RELEASE	07-Nov-2013	D.C.
B	R CRUZ		INCREASE COVER HEIGHT, WIDEN STRAP GUIDE	07-Nov-2013	D.C.
C	R CRUZ		ADJUST COVER DRAFT & PART NUMBER	08-Nov-2013	D.C.
D	R CRUZ		O-RING INCLUDED WITH ENCLOSURE	26-Nov-2013	D.C.
E	R CRUZ		ADD RIBS TO ALL WALLS	07-Apr-2014	D.C.
1.0	R CRUZ	0407	UPDATE TO AS-BUILT AND RELEASE	31-Oct-2014	D.C.
1.1	R CRUZ	02115	UPDATE NOTE 6	20-May-2015	

ITEM	FILE NAME	DESCRIPTION	MATERIAL	COLOR	QTY.
9	6-32_PHILLIPS_SCREW	6-32 PHILLIPS SCREW x .375"	18-8 STAINLESS	S-MS 6-32.375	4
8	6-32X344_BRASS-INSERT	6-32 BRASS INSERT x .344"	TRISTAR 632x344MB	OVER-MOLDED	4
7	373717_ORING	373717 ORING - STANDARD	TPE G7930	INCLUDED	1
6	SCREW_HILO-N04	#4 HILO SCREW x .250"	ZINK PLATED	CUSTOMER SUPPLIED	4
5	SCREW-DRYWALLX750	DRYWALL SCREW	REFERENCE ONLY	CUSTOMER SUPPLIED	4
4	373717_STRAP	MOUNTING STRAP x 1.000" WIDE	REFERENCE ONLY	CUSTOMER SUPPLIED	1
3	373717_PCB	373717 PCB - REFERENCE	.062" THICK	CUSTOMER SUPPLIED	1
2	373717_WALL-BASE	373717 WALL BASE - STANDARD	ASA	BLACK or GREY	1
1	373717_COVER	373717 COVER - STANDARD	ASA	BLACK or GREY	1
<b>BILL OF MATERIALS</b>					

THIRD ANGLE PROJECTION  
  
 DO NOT SCALE DRAWING

TOLERANCES: UNLESS OTHERWISE SPECIFIED  
 DIMENSIONS ARE IN U.S. INCHES.  
 X.XX = .015 X.XXXX = .001  
 X.XXX = .010 X.X" = 1°

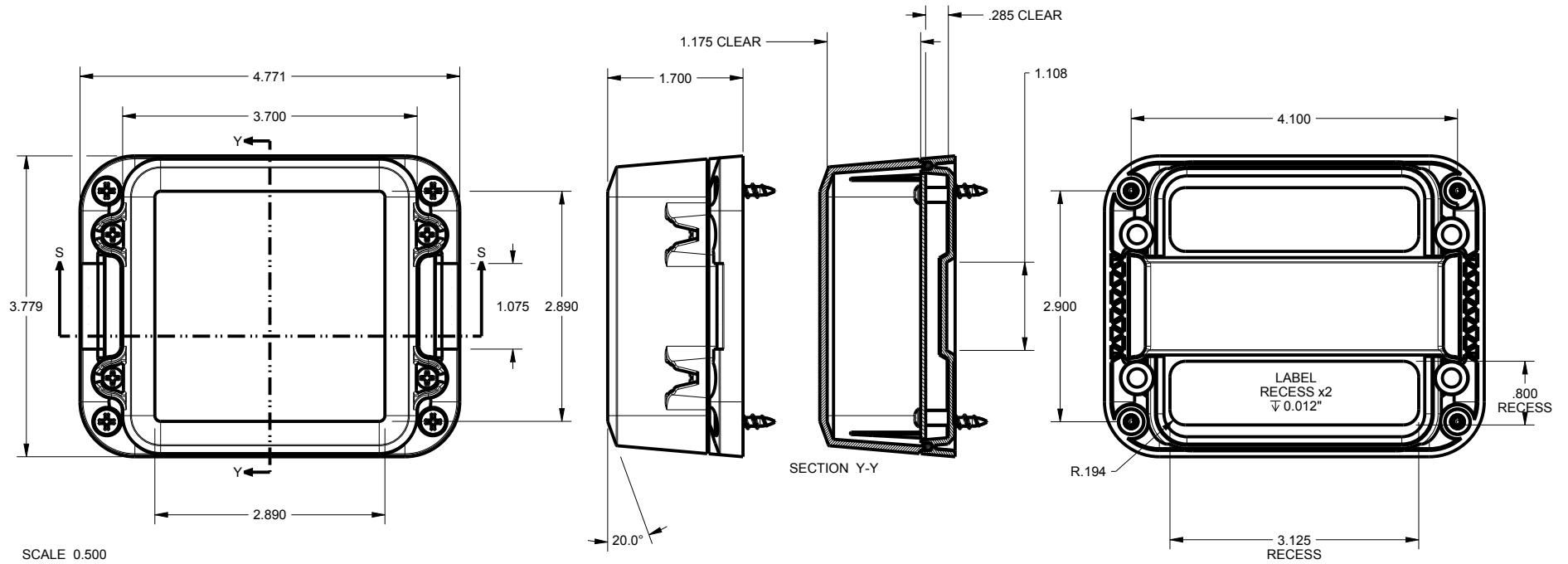
**NEW AGE ENCLOSURES**  
 Customer's Part No: 373717

APPROVAL	BY	DATE
CHECK		
ENG.		
SCALE	AS NOTED	
DRAWN BY	07-Nov-2013	
R CRUZ		

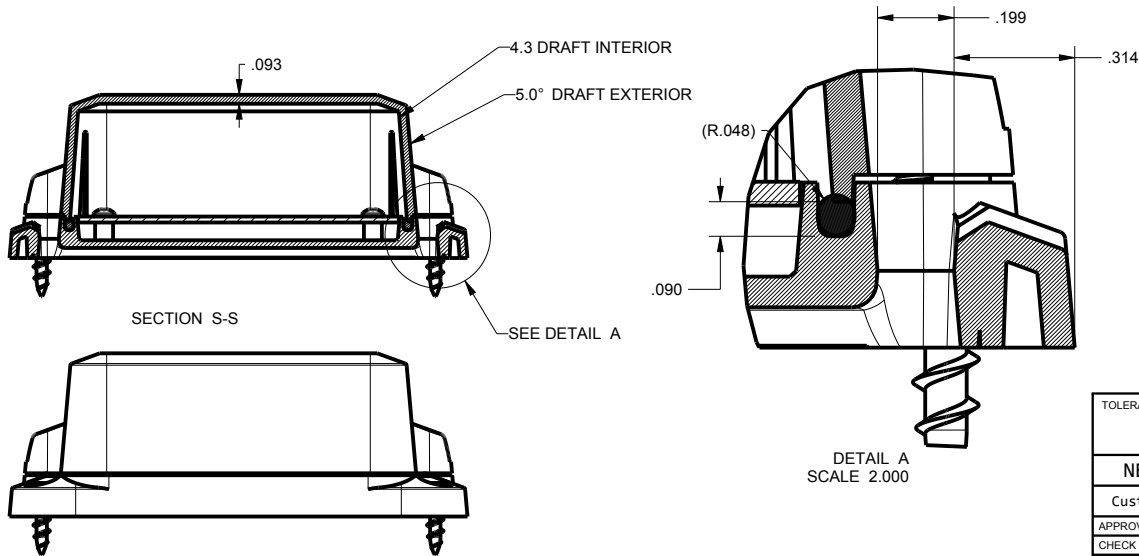
**NEW AGE ENCLOSURES**  
 4330 Santa Fe Road San Luis Obispo, CA. 93401  
 ph. (805) 595-1310 fax (805) 595-1024  
[www.newageenclosures.com](http://www.newageenclosures.com)

<b>STANDARD - OUTDOOR NODE</b>	
<b>SXL-373717-XXX</b>	
SIZE	REV.DOC
A	1.1
DRAWING NAME	SHEET
373717_R1_1	1 OF 7

# 373717 ASSEMBLY



SCALE 0.500



DETAIL A  
SCALE 2.000

TOLERANCES: UNLESS OTHERWISE SPECIFIED  
DIMENSIONS ARE IN U.S. INCHES.  
X.XX = .015 X.XXXX = .001  
X.XXX = .010 X.X° = 1°

NEW AGE ENCLOSURES

Customer's Part No: 373717

APPROVAL BY DATE

CHECK

ENG.

SCALE AS NOTED

DRAWN BY R CRUZ

07-Nov-2013

**NEW AGE ENCLOSURES**

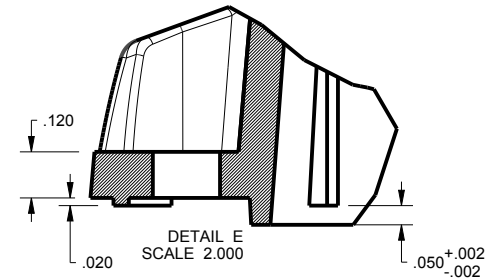
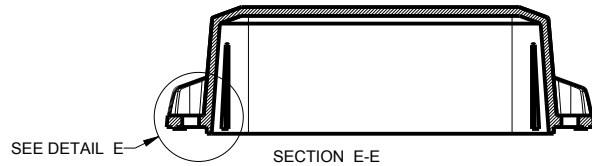
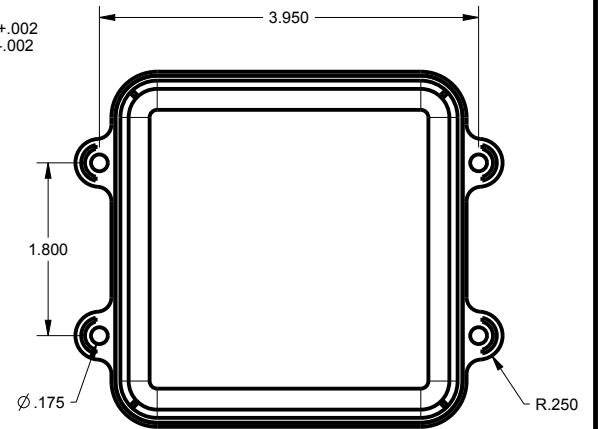
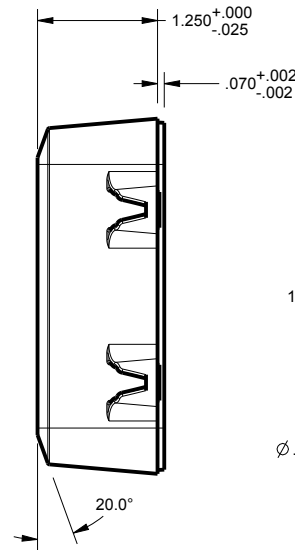
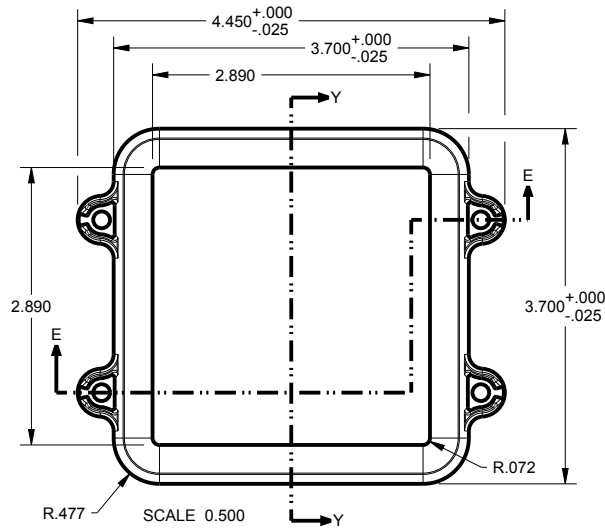
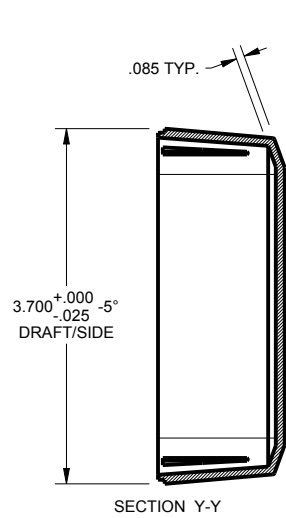
4330 Santa Fe Road San Luis Obispo, CA. 93401  
ph. (805) 595-1310 fax (805) 595-1024  
[www.newageenclosures.com](http://www.newageenclosures.com)

STANDARD - OUTDOOR NODE  
SXL-373717-XXX

SIZE A DRAWING NAME 373717\_R1\_1

SHEET 2 OF 7 REV.DOC 1.1

# 373717 COVER



TOLERANCES: UNLESS OTHERWISE SPECIFIED  
DIMENSIONS ARE IN U.S. INCHES.  
X.XX = .015 X.XXXX = .001  
X.XXX = .010 X.X° = 1°

NEW AGE ENCLOSURES

Customer's Part No: 373717

APPROVAL	BY	DATE
CHECK		
ENG.		
SCALE	AS NOTED	

DRAWN BY  
R CRUZ

07-Nov-2013

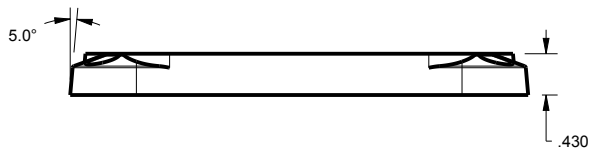
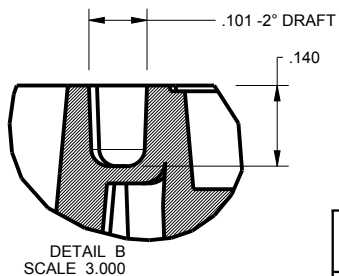
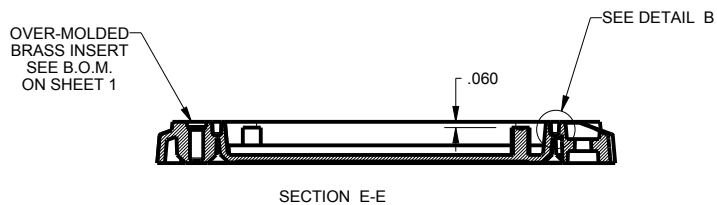
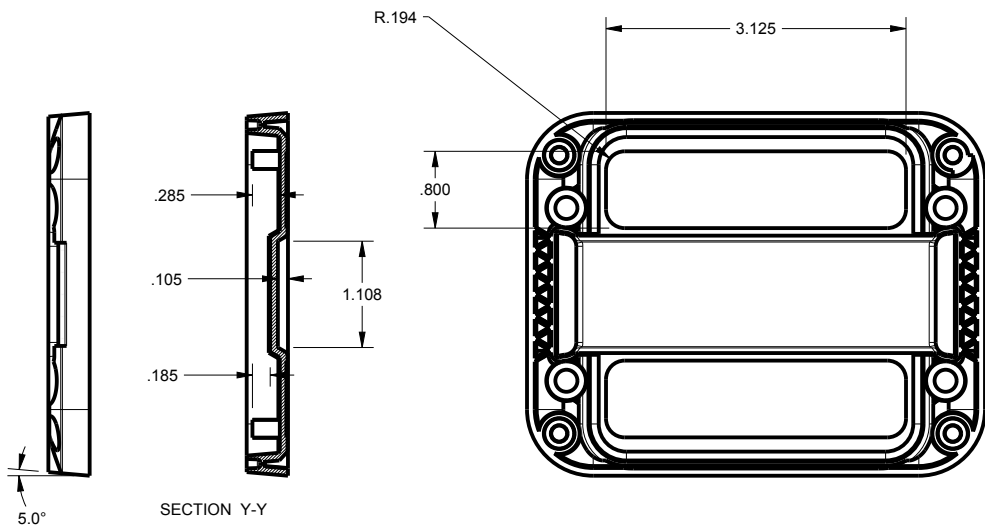
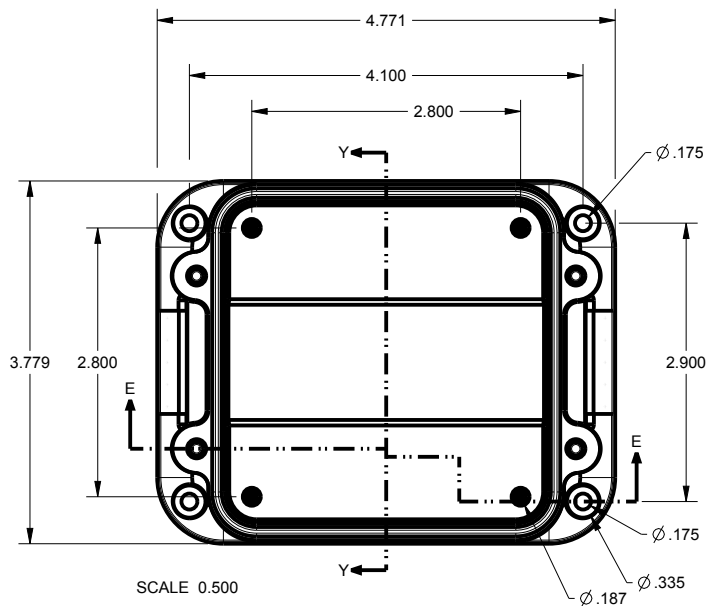
**NEW AGE ENCLOSURES**

4330 Santa Fe Road San Luis Obispo, CA. 93401  
ph. (805) 595-1310 fax (805) 595-1024  
[www.newageenclosures.com](http://www.newageenclosures.com)

STANDARD - OUTDOOR NODE  
SXL-373717-XXX

SIZE A	DRAWING NAME 373717_R1_1	SHEET 3 OF 7	REV.DOC 1.1
-----------	-----------------------------	-----------------	----------------

# 373717 WALL BASE



TOLERANCES: UNLESS OTHERWISE SPECIFIED  
DIMENSIONS ARE IN U.S. INCHES.  
X.XX = .015 X.XXXX = .001  
X.XXX = .010 X.X° = 1°

NEW AGE ENCLOSURES  
Customer's Part No: 373717

APPROVAL	BY	DATE
CHECK		
ENG.		
SCALE	AS NOTED	

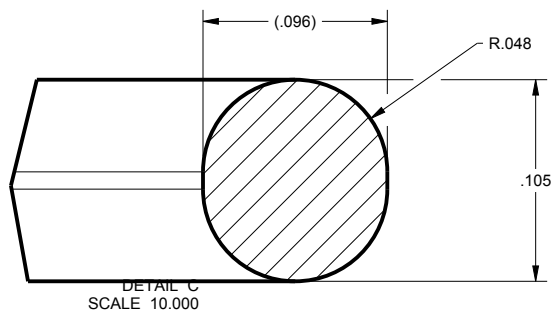
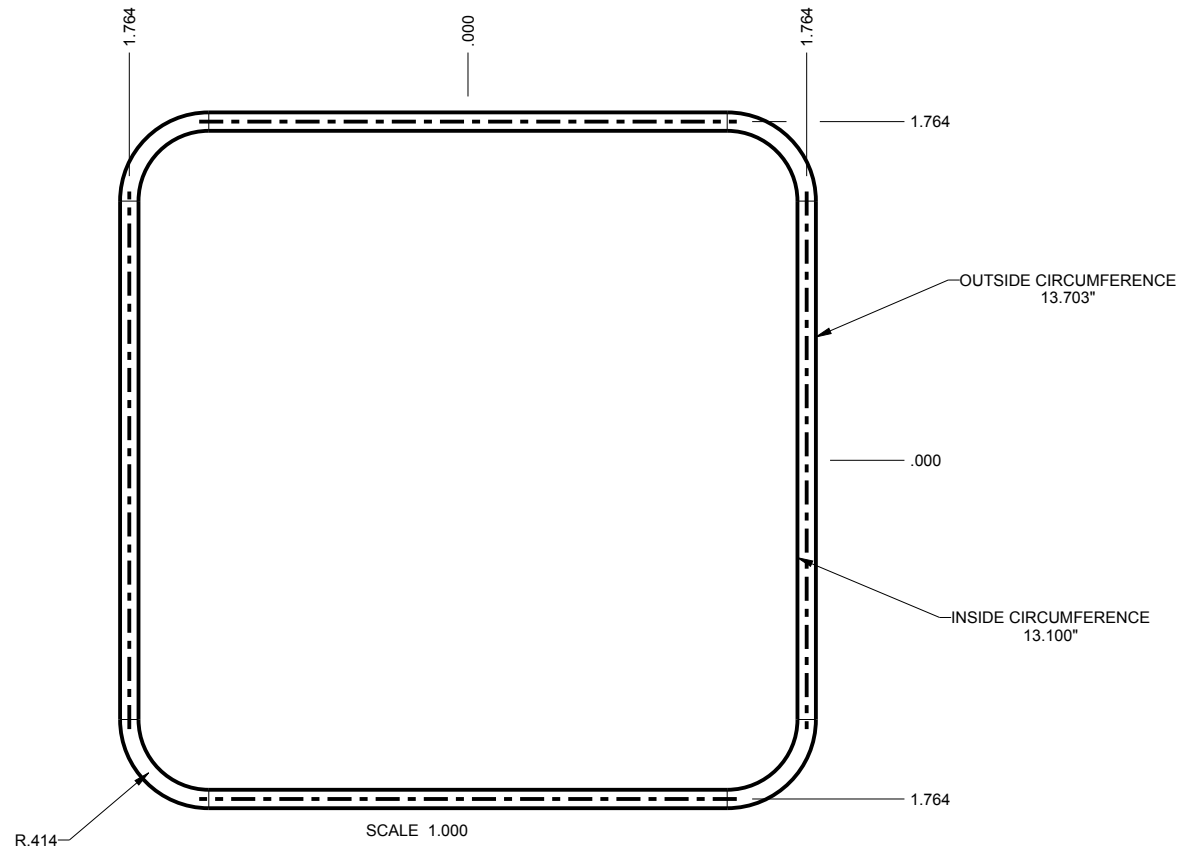
DRAWN BY: R CRUZ  
DATE: 07-Nov-2013

**NEW AGE ENCLOSURES**  
4330 Santa Fe Road San Luis Obispo, CA. 93401  
ph. (805) 595-1310 fax (805) 595-1024  
[www.newageenclosures.com](http://www.newageenclosures.com)

**STANDARD - OUTDOOR NODE  
SXL-373717-XXX**

SIZE: A	DRAWING NAME: 373717_R1_1	SHEET: 4 OF 7	REV.DOC: 1.1
---------	---------------------------	---------------	--------------

# 373717 O-RING



TOLERANCES - UNLESS OTHERWISE SPECIFIED  
DIMENSIONS ARE IN U.S. INCHES.

X.XX = .015 X.XXXX = .001  
X.XXX = .010 X.X° = 1°

NEW AGE ENCLOSURES

Customer's Part No: 373717

APPROVAL	BY	DATE
CHECK		
ENG.		
SCALE	AS NOTED	
DRAWN BY	07-Nov-2013	
R CRUZ		

**NEW AGE ENCLOSURES**

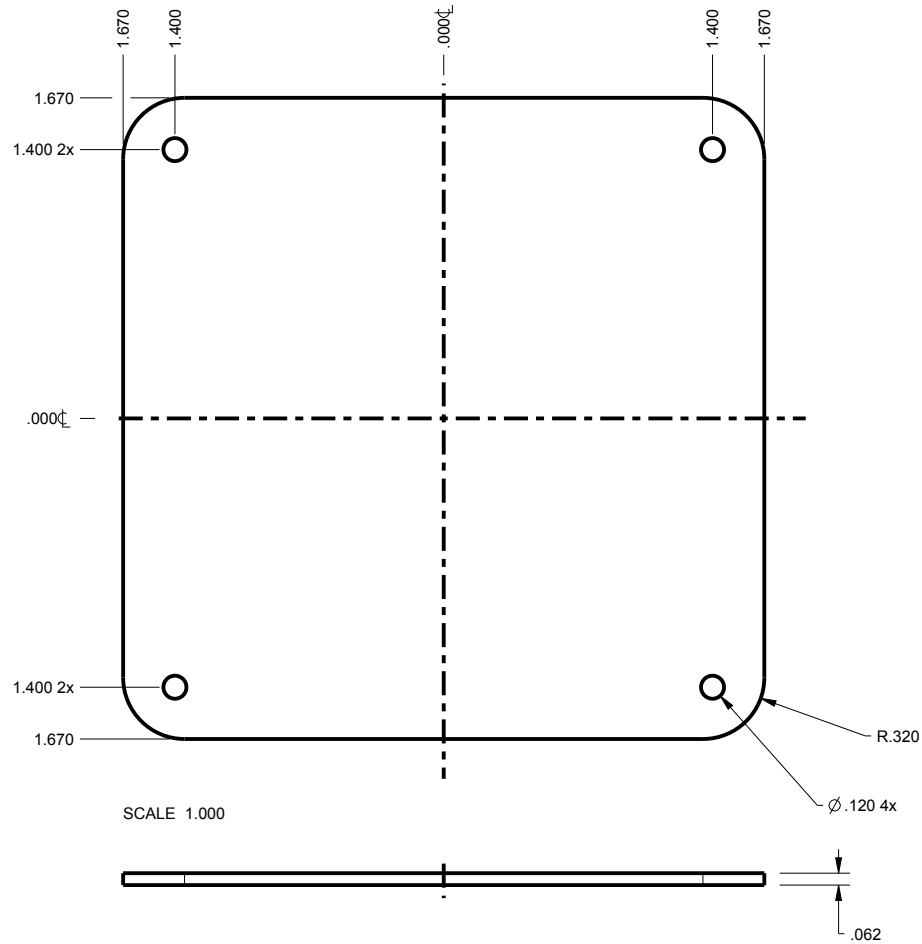
4330 Santa Fe Road San Luis Obispo, CA. 93401  
 ph. (805) 595-1310 fax (805) 595-1024  
[www.newageenclosures.com](http://www.newageenclosures.com)

**STANDARD - OUTDOOR NODE  
SXL-373717-XXX**

SIZE	DRAWING NAME	SHEET	REV.DOC
A	373717_R1_1	5 OF 7	1.1

### 373717 PCB - CUSTOMER SUPPLIED

PCB SIZES ARE RECOMMENDATIONS ONLY. FINAL SIZES AND VERIFICATION OF ITS FIT ARE THE SOLE RESPONSIBILITY OF THE OEM.



TOLERANCES: UNLESS OTHERWISE SPECIFIED  
DIMENSIONS ARE IN U.S. INCHES.  
X.XX = .015 X.XXXX = .001  
X.XXX = .010 X.X° = 1°

NEW AGE ENCLOSURES  
Customer's Part No: 373717

APPROVAL	BY	DATE
CHECK		
ENG.		
SCALE	AS NOTED	

DRAWN BY	07-Nov-2013
R CRUZ	

## NEW AGE ENCLOSURES

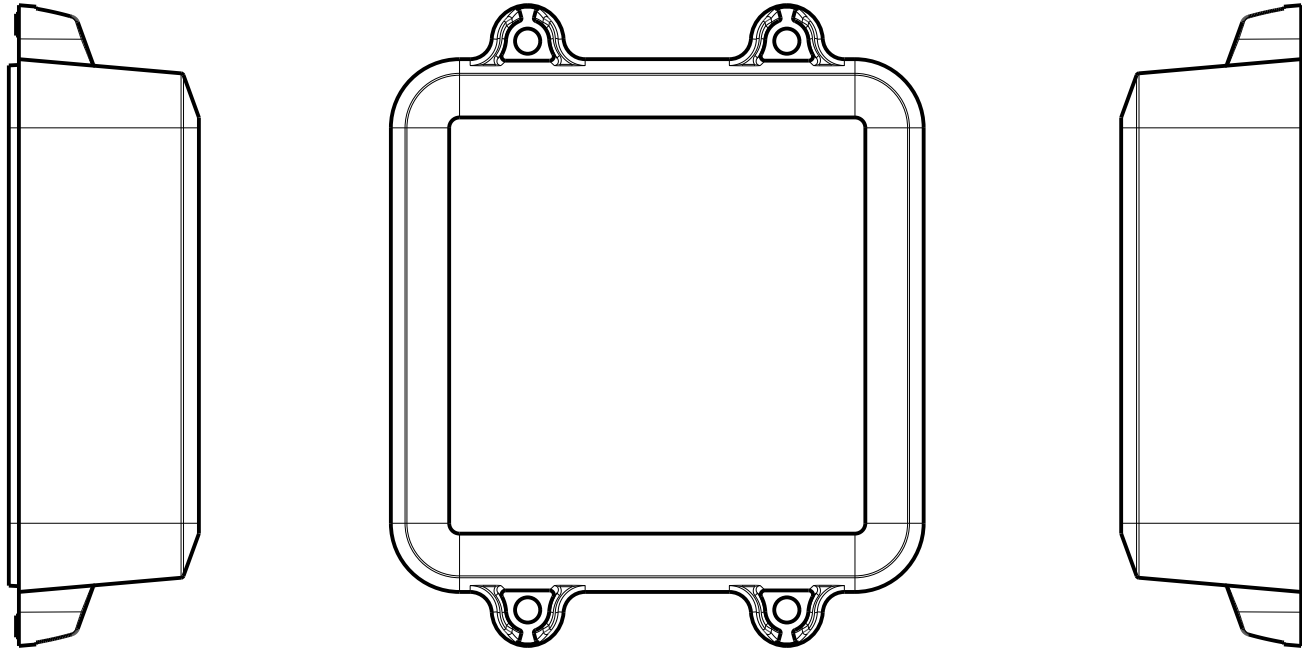
4330 Santa Fe Road San Luis Obispo, CA. 93401  
ph. (805) 595-1310 fax (805) 595-1024  
[www.newageenclosures.com](http://www.newageenclosures.com)

### STANDARD - OUTDOOR NODE SXL-373717-XXX

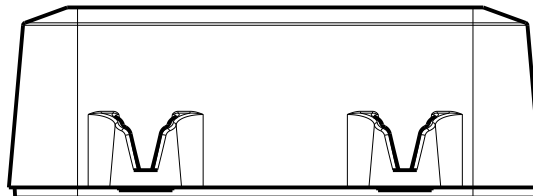
SIZE	DRAWING NAME	SHEET	REV.DOC
A	373717_R1_1	6 OF 7	1.1



**373717 - 2nd OPERATION DETAILS**  
 NEW AGE ENCLOSURES DELIVERS YOUR ENCLOSURE MARKET-READY WITH IN-HOUSE  
 CNC MACHINING, PAD PRINTING, ASSEMBLY, AND FULFILLMENT.  
 ALL SURFACES AND AREAS ARE AVAILABLE FOR CNC ALTERATION BY NEW AGE ENCLOSURES  
 CALL (805) 595-1310 FOR PRICING AND SCHEDULE.  
 THE INSIDE RADIUS OF ANY MACHINED FEATURES SHOULD BE NO SMALLER THAN .031"



373717 COVER  
SCALE 0.750



**SXL-373713-XXX COVER - ASA, BLACK**

STEP NO	DESCRIPTION	CUTTER	FIXTURE	ORIENTATION	PROGRAM
1-C-C1	-	T2 = .062" EM	298	-	-
2-C-C2	-	T2 = .062" EM	298	-	-
3-C-C3	-	T2 = .062" EM	298	-	-

**SXL-373713-XXX COVER - ASA, BLACK**

STEP	TYPE	FIXTURE	INK COLOR	CLICHE DESCRIPTION	CLICHE No.
4-C-P1	PAD PRINT	299	WHITE	LOGO AND LABELS	CLXXXXn R1

TOLERANCES: UNLESS OTHERWISE SPECIFIED  
DIMENSIONS ARE IN U.S. INCHES.

X.XX = .015 X.XXXX = .001  
X.XXX = .010 X.X° = 1°

**NEW AGE ENCLOSURES**

Customer's Part No: 373717

APPROVAL	BY	DATE
CHECK		
ENG.		
SCALE	AS NOTED	
DRAWN BY	07-Nov-2013	
R CRUZ		

**NEW AGE ENCLOSURES**

4330 Santa Fe Road San Luis Obispo, CA. 93401  
 ph. (805) 595-1310 fax (805) 595-1024  
[www.newageenclosures.com](http://www.newageenclosures.com)

**STANDARD - OUTDOOR NODE**  
**SXL-373717-XXX**

SIZE	DRAWING NAME	SHEET	REV.DOC
A	373717_R1_1	7 OF 7	1.1

# Mouser Electronics

Authorized Distributor

Click to View Pricing, Inventory, Delivery & Lifecycle Information:

[New Age Enclosures:](#)

[S6L-373717](#) [S3L-373717](#)

## Данный компонент на территории Российской Федерации

### Вы можете приобрести в компании MosChip.

Для оперативного оформления запроса Вам необходимо перейти по данной ссылке:

<http://moschip.ru/get-element>

Вы можете разместить у нас заказ для любого Вашего проекта, будь то серийное производство или разработка единичного прибора.

В нашем ассортименте представлены ведущие мировые производители активных и пассивных электронных компонентов.

Нашей специализацией является поставка электронной компонентной базы двойного назначения, продукции таких производителей как XILINX, Intel (ex.ALTERA), Vicor, Microchip, Texas Instruments, Analog Devices, Mini-Circuits, Amphenol, Glenair.

Сотрудничество с глобальными дистрибьюторами электронных компонентов, предоставляет возможность заказывать и получать с международных складов практически любой перечень компонентов в оптимальные для Вас сроки.

На всех этапах разработки и производства наши партнеры могут получить квалифицированную поддержку опытных инженеров.

Система менеджмента качества компании отвечает требованиям в соответствии с ГОСТ Р ИСО 9001, ГОСТ РВ 0015-002 и ЭС РД 009

### Офис по работе с юридическими лицами:

105318, г.Москва, ул.Щербаковская д.3, офис 1107, 1118, ДЦ «Щербаковский»

Телефон: +7 495 668-12-70 (многоканальный)

Факс: +7 495 668-12-70 (доб.304)

E-mail: [info@moschip.ru](mailto:info@moschip.ru)

Skype отдела продаж:

moschip.ru

moschip.ru\_4

moschip.ru\_6

moschip.ru\_9