

NOTES:

1. MATERIALS:

- CONNECTOR HOUSING: HIGH TEMPERATURE THERMOPLASTIC GLASS FILLED, UL 94V-0
- EMI CAGE: NICKEL SILVER ALLOY
- EMI FINGERS: COPPER ALLOY
- TERMINALS: COPPER ALLOY
- LIGHT PIPES: HALOGEN FREE, CLEAR POLYCARBONATE

2. FINISHES:

- EMI FINGERS: 0.50µM MIN NICKEL
- CONTACT AREA: 0.76µM MIN GOLD OVER 2.54µM MIN NICKEL
- TAIL AREA: 0.76µM-1.52µM TIN OVER 2.54µM MIN NICKEL

3. PRODUCT SPECIFICATION: PS-76866-001

4. PACKAGING SPECIFICATION: PK-76866-002

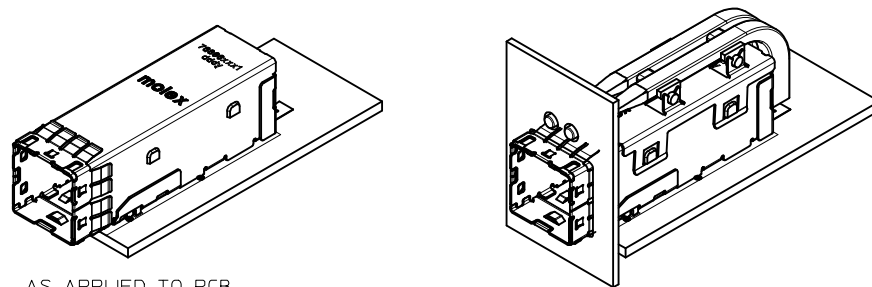
- CONNECTORS WILL BE IN ONE BOX
- LIGHT PIPE ASSEMBLIES WILL BE IN ONE BOX
- BOTH BOXES WILL BE IN A MASTER CARTON

5. MATES WITH: MOLEX CABLE SERIES 111068

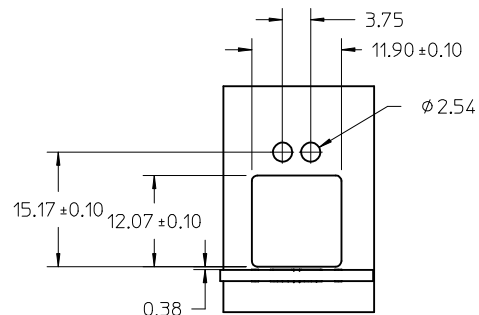
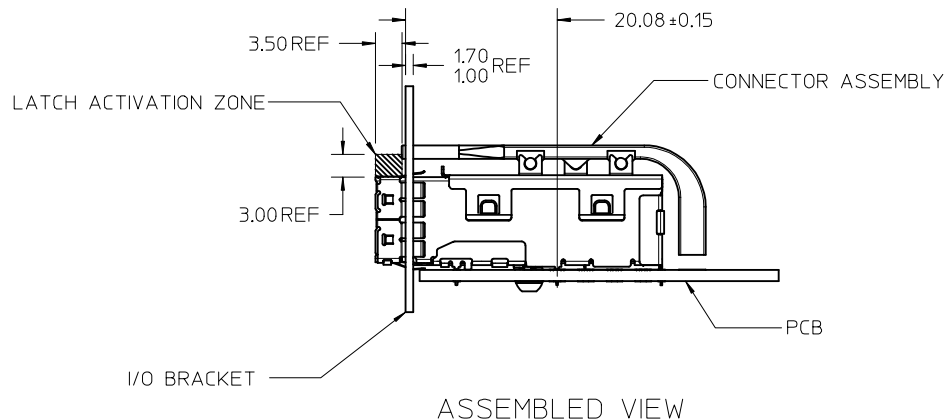
6. RECOMMENDED MOUNTING HARDWARE: REFER TO APPLICATION SPECIFICATION AS-76866-001

7. PLUG MODULE PCB LAYOUT REFER TO SD-76866-9900

REV'D NOTES IEC NO: UCP2015-5060 DRW:KCALLAGHAN 2015/06/01 CHKD:TMCCLELLAND 2015/06/03 APPR:TMCCLELL 2015/06/18	DESCRIPTION REV	QUALITY SYMBOLS	GENERAL TOLERANCES (UNLESS SPECIFIED)		DIMENSION STYLE MM ONLY		SCALE 2:1	DESIGN UNITS METRIC	THIRD ANGLE PROJECTION			
		▽=0	mm	INCH	DRAWN BY KLANG	DATE 2009/06/04	IPASS PLUS HD 1X1 EXT REC & CAGE LIGHT PIPE 					
		▽=0	4 PLACES ± ---	± ---	CHECKED BY TMCCLELLAND	DATE 2013/10/16						
		▽=0	3 PLACES ± ---	± ---	APPROVED BY MBANAKIS	DATE 2010/01/14						
▽=0	2 PLACES ± 0.13	± ---	MATERIAL NO. 76866-0121	DOCUMENT NO. SD-76866-021								
			ANGULAR ±1/2°		SIZE C		SHEET NO. 1 OF 4					
			DRAFT WHERE APPLICABLE MUST REMAIN WITHIN DIMENSIONS							THIS DRAWING CONTAINS INFORMATION THAT IS PROPRIETARY TO MOLEX INCORPORATED AND SHOULD NOT BE USED WITHOUT WRITTEN PERMISSION		

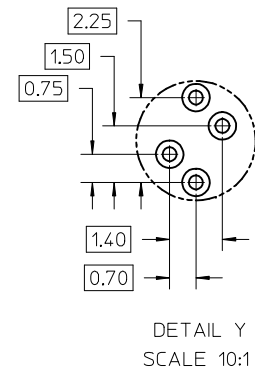
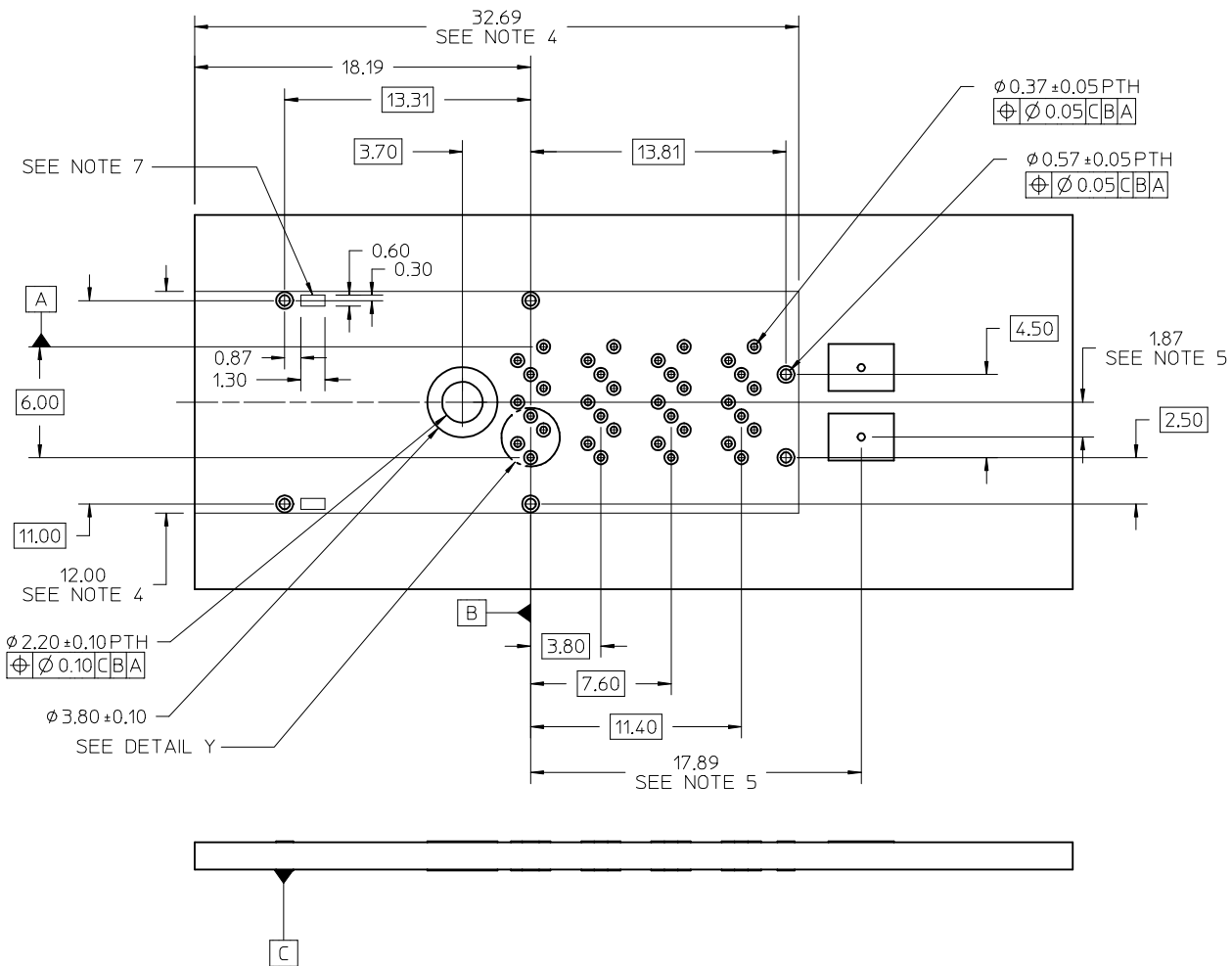


AS APPLIED TO PCB



I/O BRACKET CUT OUT
(BRACKET NOT SUPPLIED)

SEE SHEET 1 EC NO: UCP2015-5060 DRINKCALLAGHAN 2015/06/01 CHKD: TMCCLELLAND 2015/06/03 APPR: TMCCLELL 2015/06/18	QUALITY SYMBOLS	GENERAL TOLERANCES (UNLESS SPECIFIED)		DIMENSION STYLE MM ONLY		SCALE 2:1	DESIGN UNITS METRIC	THIRD ANGLE PROJECTION	
	▽=0	mm	INCH	DRAWN BY	DATE	IPASS PLUS HD 1X1 EXT REC & CAGE LIGHT PIPE molex DOCUMENT NO. SD-76866-021 SHEET NO. 2 OF 4			
	▽=0	4 PLACES ± ---	± ---	KLANG	2009/06/04				
	▽=0	3 PLACES ± ---	± ---	CHECKED BY	DATE				
▽=0	2 PLACES ± 0.13	± ---	TMCCLELLAND	2013/10/16					
REV	DESCRIPTION	1 PLACE ± 0.25	± ---	APPROVED BY	DATE				
D5		0 PLACE ±	±	MBANAKIS	2010/01/14				
		ANGULAR ±1/2°		MATERIAL NO.					
		DRAFT WHERE APPLICABLE MUST REMAIN WITHIN DIMENSIONS		SEE SHEET 1					
				SIZE C		THIS DRAWING CONTAINS INFORMATION THAT IS PROPRIETARY TO MOLEX INCORPORATED AND SHOULD NOT BE USED WITHOUT WRITTEN PERMISSION			



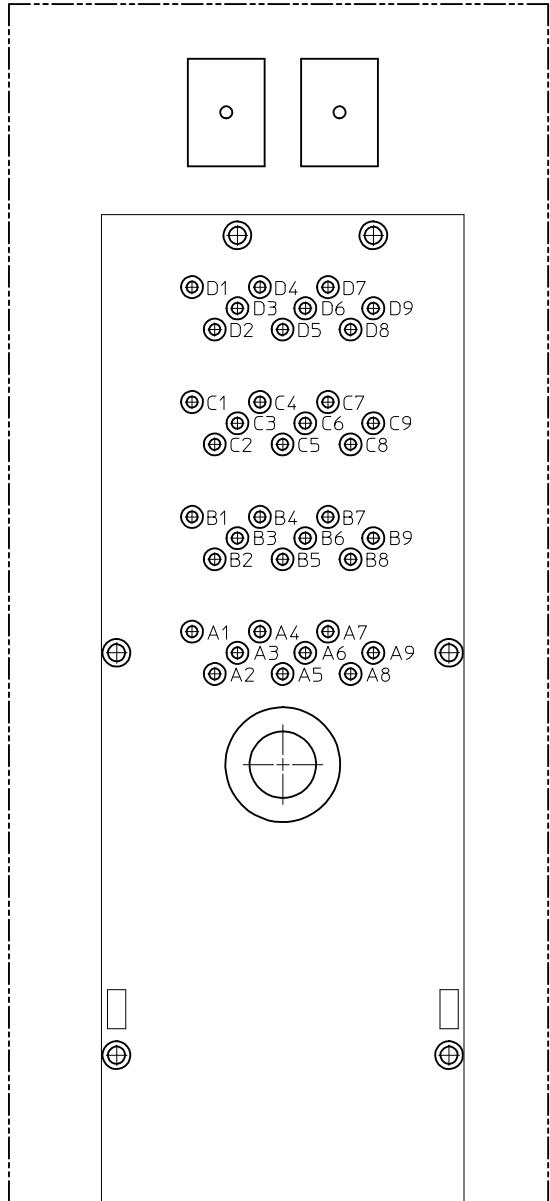
NOTES:

1. RECOMMENDED DRILL SIZE AND ANNULAR RING FOR A 0.37 ϕ FINISHED PTH - REFER TO APPLICATION SPECIFICATION AS-76866-001
2. MINIMUM RECOMMENDED SPACING: 14.00MM
3. MINIMUM PCB THICKNESS: 1.57MM
4. CONNECTOR KEEP OUT AREA
5. LOCATION OF LED CENTER LINE
6. RECOMMENDED DRILL SIZE AND ANNULAR RING FOR A 0.57 ϕ FINISHED PTH - REFER TO APPLICATION SPECIFICATION AS-76866-001
7. CAGE STAND OFF AREA, NO TRACES ON SURFACE OF PCB IN THESE AREAS

RECOMMENDED FOOTPRINT

SEE SHEET 1 EC NO: UCP2015-5060 DRWN: KALLAGHAN 2015/06/01 CHKD: TMCLELLAND 2015/06/03 APPR: TMCLELL 2015/06/18	QUALITY SYMBOLS ▽=0 ▽=0 ▽=0	GENERAL TOLERANCES (UNLESS SPECIFIED)		DIMENSION STYLE MM ONLY		SCALE 5:1	DESIGN UNITS METRIC	THIRD ANGLE PROJECTION	
		4 PLACES ± --- ± ---	3 PLACES ± --- ± ---	2 PLACES ± 0.13 ± ---	1 PLACE ± 0.25 ± ---	0 PLACE ± ±	DRAWN BY DATE KLANG 2009/06/04		CHECKED BY DATE TMCLELLAND 2013/10/16
D5	REV	ANGULAR ±1/2°		DRAFT WHERE APPLICABLE MUST REMAIN WITHIN DIMENSIONS		APPROVED BY DATE MBANAKIS 2010/01/14		MATERIAL NO.	
		SEE SHEET 1		DOCUMENT NO. SD-76866-021		SHEET NO. 3 OF 4			
THIS DRAWING CONTAINS INFORMATION THAT IS PROPRIETARY TO MOLEX INCORPORATED AND SHOULD NOT BE USED WITHOUT WRITTEN PERMISSION									

RECOMMENDED TOOLING KEEP OUT AREAS

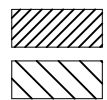
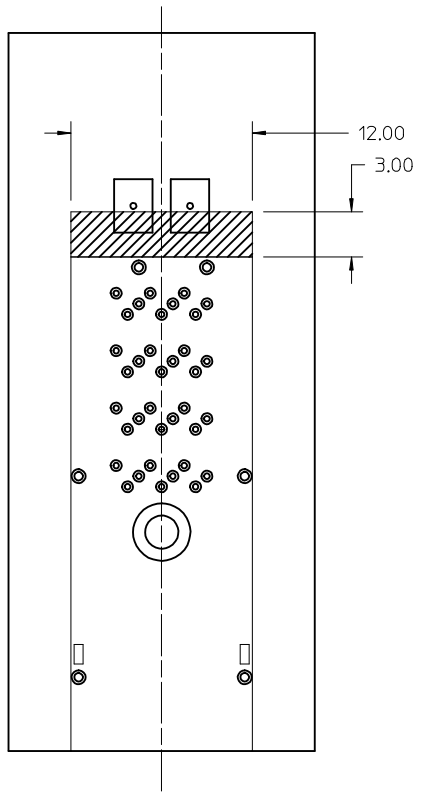


CIRCUIT IDENTIFICATION

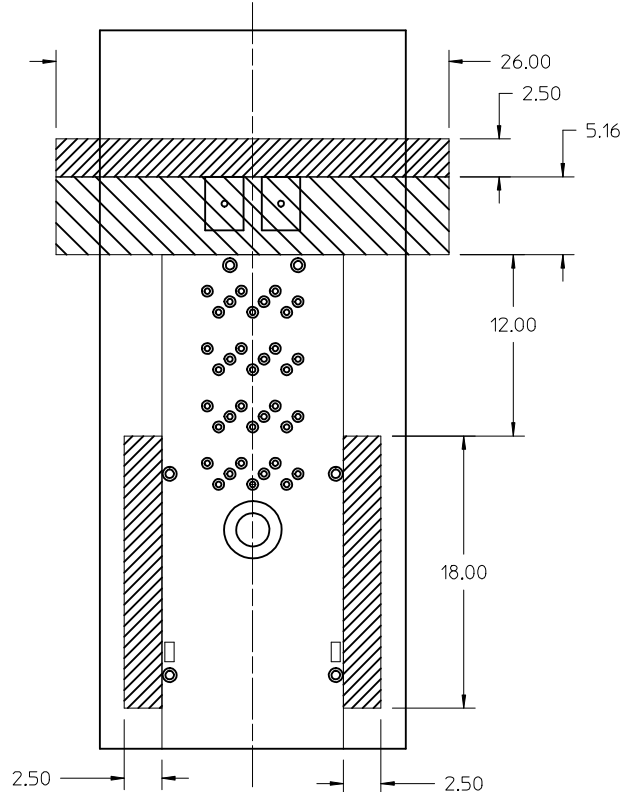
Partial1
SCALE 8:1



RECOMMENDED INSERTION TOOL
KEEP OUT AREA
NO COMPONENTS IN THIS AREA
MORE THAN 7.50 mm TALL



RECOMMENDED EXTRACTION TOOL
KEEP OUT AREA
NO COMPONENTS IN THESE AREAS
NO COMPONENTS IN THIS AREA
MORE THAN 5.00 mm TALL



SEE SHEET 1 IEC NO: UCP2015-5060 DRWINKCALLAGHAN 2015/06/01 CHKD:TMCCLELLAND 2015/06/03 APPR:TMCCLELL 2015/06/18	QUALITY SYMBOLS ∇=0 ∇=0 ∇=0	GENERAL TOLERANCES (UNLESS SPECIFIED) <table border="1"> <thead> <tr> <th></th> <th>mm</th> <th>INCH</th> </tr> </thead> <tbody> <tr> <td>4 PLACES</td> <td>± ---</td> <td>± ---</td> </tr> <tr> <td>3 PLACES</td> <td>± ---</td> <td>± ---</td> </tr> <tr> <td>2 PLACES</td> <td>± 0.13</td> <td>± ---</td> </tr> <tr> <td>1 PLACE</td> <td>± 0.25</td> <td>± ---</td> </tr> <tr> <td>0 PLACE</td> <td>±</td> <td>±</td> </tr> </tbody> </table>		mm	INCH	4 PLACES	± ---	± ---	3 PLACES	± ---	± ---	2 PLACES	± 0.13	± ---	1 PLACE	± 0.25	± ---	0 PLACE	±	±	DIMENSION STYLE MM ONLY DRAWN BY DATE KLANG 2009/06/04 CHECKED BY DATE TMCCLELLAND 2013/10/16 APPROVED BY DATE MBANAKIS 2010/01/14	SCALE 4:1 DESIGN UNITS METRIC THIRD ANGLE PROJECTION	TITLE IPASS PLUS HD 1X1 EXT REC & CAGE LIGHT PIPE molex DOCUMENT NO. SD-76866-021 SHEET NO. 4 OF 4
		mm	INCH																				
	4 PLACES	± ---	± ---																				
	3 PLACES	± ---	± ---																				
	2 PLACES	± 0.13	± ---																				
1 PLACE	± 0.25	± ---																					
0 PLACE	±	±																					
REV D5	DESCRIPTION DRAFT WHERE APPLICABLE MUST REMAIN WITHIN DIMENSIONS	ANGULAR ±1/2° SEE SHEET 1	MATERIAL NO. THIS DRAWING CONTAINS INFORMATION THAT IS PROPRIETARY TO MOLEX INCORPORATED AND SHOULD NOT BE USED WITHOUT WRITTEN PERMISSION																				

Данный компонент на территории Российской Федерации

Вы можете приобрести в компании MosChip.

Для оперативного оформления запроса Вам необходимо перейти по данной ссылке:

<http://moschip.ru/get-element>

Вы можете разместить у нас заказ для любого Вашего проекта, будь то серийное производство или разработка единичного прибора.

В нашем ассортименте представлены ведущие мировые производители активных и пассивных электронных компонентов.

Нашей специализацией является поставка электронной компонентной базы двойного назначения, продукции таких производителей как XILINX, Intel (ex.ALTERA), Vicor, Microchip, Texas Instruments, Analog Devices, Mini-Circuits, Amphenol, Glenair.

Сотрудничество с глобальными дистрибьюторами электронных компонентов, предоставляет возможность заказывать и получать с международных складов практически любой перечень компонентов в оптимальные для Вас сроки.

На всех этапах разработки и производства наши партнеры могут получить квалифицированную поддержку опытных инженеров.

Система менеджмента качества компании отвечает требованиям в соответствии с ГОСТ Р ИСО 9001, ГОСТ РВ 0015-002 и ЭС РД 009

Офис по работе с юридическими лицами:

105318, г.Москва, ул.Щербаковская д.3, офис 1107, 1118, ДЦ «Щербаковский»

Телефон: +7 495 668-12-70 (многоканальный)

Факс: +7 495 668-12-70 (доб.304)

E-mail: info@moschip.ru

Skype отдела продаж:

moschip.ru

moschip.ru_4

moschip.ru_6

moschip.ru_9