



## PT/SPT SERIES PHOTOCONTROL

### THERMAL, NON METALLIC HOUSING, WIRE-IN

#### KEY FEATURES

- Fixed or adjustable swivel base
- Heavy-duty thermal bi-metal switch
- UL | CSA Listed
- 30 - 45 second time delay
- 2000 watt rating
- Fail mode is ON

TE Connectivity's (TE) PT/SPT Series offers a durable control with an optional swivel base allowing maximum mobility for installation.

The PT/SPT Series controls combine the superior performance of the AT Series with an economical, yet highly durable, polycarbonate housing.

Controls include a heavy-duty bi-metal switch that provides a 30 - 45 second time delay. This virtually eliminates unwanted lamp cycling that could be caused by lightning, car headlights, or other sudden changes in ambient light level.

Although the Turn-ON level is pre-set at the factory, each PT and SPT control is furnished with an adjustable slide bar that allows field adjustment to satisfy specific needs. The SPT is also equipped with an adjustable swivel base to provide installation flexibility.

**Customers can count on consistent, high quality products, driven by TE's proven innovation and backed by our extraordinary customer support.**



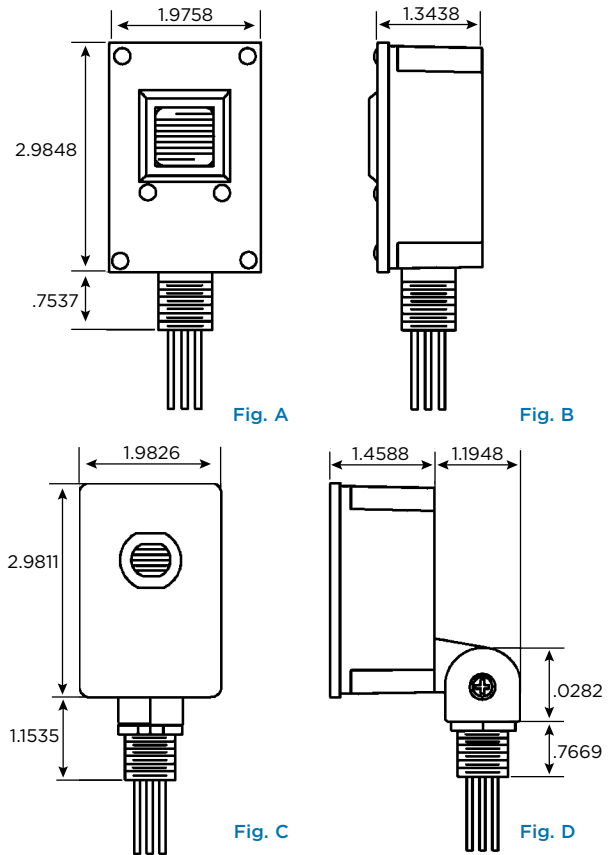
TE's photocontrols can be used to safely control luminaries with incandescent, HID, LED, or compact fluorescent lamps.

TECHNICAL INFORMATION	
Switch	SPST thermal bi-metallic, Exceeds 5,000 ON/OFF operations
Fail Mode	ON (contacts normally closed)
Housing	Polycarbonate with UV stabilized window
Lead Wires	6", #14 AWG, rated 105°C (all other models)
Nipple	1/2" pipe
Nut	1/2" pipe, die-cast

SPECIFICATION	
Physical	Enclosure: designed to meet UL 773A
	Power consumption: less than 0.9 watts at 120 VAC
Temperature	Minus 40°C to plus 65°C at 96% RH
Load Rating	2000 Watt Tungsten 1900 VA ballast
Light Sensor	Cadmium Sulfide Cell

Figures A & B: Illustrates front and side view of PT Model

Figures C & D: Illustrates front and side view of SPT Model



PRODUCT SELECTION INFORMATION							
Description	Base	Rated Volts	Range (Volts)	Load Rating Tungsten (Watts)	Load Rating Ballast (VA)	Turn ON (Fc)	OFF/ON Ratio
PT-15	Fixed	120	105 - 130	2000	1900	1.5	4 : 1
PT-168	Fixed	208/240/277	185 - 305	2000	1900	1.5	4 : 1
PT-20	Fixed	120/208/240/277	105 - 305	2000	1900	1.5	4 : 1
PT-347**	Fixed	347	310 - 380	2000	1900	1.5	4 : 1
SPT-15	Swivel	120	105 - 130	2000	1900	1.5	4 : 1
SPT-168	Swivel	208/240/277	185 - 305	2000	1900	1.5	4 : 1
SPT-19*	Swivel	480	420 - 530	2000	1900	1.5	4 : 1
SPT-347**	Swivel	347	310 - 380	2000	1900	1.5	4 : 1

Note: 6" Lead Wires  
\* Not UL or CSA Listed  
\*\* CSA Listed Only



te.com/energy

©2008, 2012, 2014 TE Connectivity Ltd. family of companies. All Rights Reserved. 9-1773453-4 E335 10/2014

TE Connectivity and TE connectivity (logo) are trademarks. Other logos, product and/or company names might be trademarks of their respective owners. While TE has made every reasonable effort to ensure the accuracy of the information in this brochure, TE does not guarantee that it is error-free, nor does TE make any other representation, warranty or guarantee that the information is accurate, correct, reliable or current. TE reserves the right to make any adjustments to the information contained herein at any time without notice. TE expressly disclaims all implied warranties regarding the information contained herein, including, but not limited to, any implied warranties of merchantability or fitness for a particular purpose. The dimensions in this catalog are for reference purposes only and are subject to change without notice. Specifications are subject to change without notice. Consult TE for the latest dimensions and design specifications.

FOR MORE INFORMATION: TE Technical Support Centers

- USA: +1 800 327 6996
- France: +33 380 583 200
- UK: +44 0870 870 7500
- Germany: +49 896 089 903
- Spain: +34 916 630 400
- Benelux: +32 16 351 731
- Canada: +1 (905) 475-6222
- Mexico: +52 (0) 55-1106-0800
- Latin/S. America: +54 (0) 11-4733-2200
- China: +86 (0) 400-820-6015

## Данный компонент на территории Российской Федерации

### Вы можете приобрести в компании MosChip.

Для оперативного оформления запроса Вам необходимо перейти по данной ссылке:

<http://moschip.ru/get-element>

Вы можете разместить у нас заказ для любого Вашего проекта, будь то серийное производство или разработка единичного прибора.

В нашем ассортименте представлены ведущие мировые производители активных и пассивных электронных компонентов.

Нашей специализацией является поставка электронной компонентной базы двойного назначения, продукции таких производителей как XILINX, Intel (ex.ALTERA), Vicor, Microchip, Texas Instruments, Analog Devices, Mini-Circuits, Amphenol, Glenair.

Сотрудничество с глобальными дистрибьюторами электронных компонентов, предоставляет возможность заказывать и получать с международных складов практически любой перечень компонентов в оптимальные для Вас сроки.

На всех этапах разработки и производства наши партнеры могут получить квалифицированную поддержку опытных инженеров.

Система менеджмента качества компании отвечает требованиям в соответствии с ГОСТ Р ИСО 9001, ГОСТ РВ 0015-002 и ЭС РД 009

### Офис по работе с юридическими лицами:

105318, г.Москва, ул.Щербаковская д.3, офис 1107, 1118, ДЦ «Щербаковский»

Телефон: +7 495 668-12-70 (многоканальный)

Факс: +7 495 668-12-70 (доб.304)

E-mail: [info@moschip.ru](mailto:info@moschip.ru)

Skype отдела продаж:

moschip.ru

moschip.ru\_4

moschip.ru\_6

moschip.ru\_9