

# DATA SHEET

## Liquid Level Switches

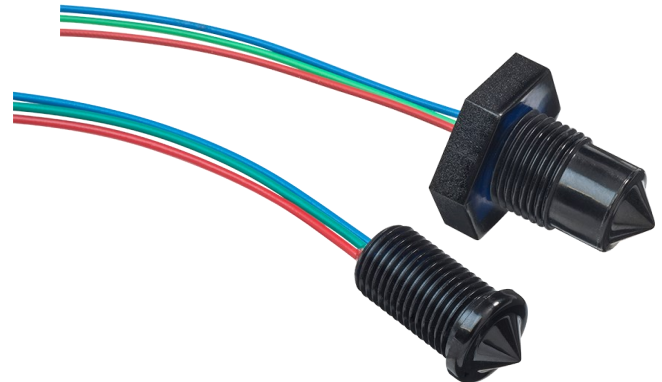
### Honeywell LLE Standard Temp Series Alternatives

For part numbers LLE101000, LLE102000, LLE103000 and LLE105000



#### FEATURES

- Liquid level switches that can detect almost any liquid type; oil or water based
- Choice of mounting; internal or external
- Choice of threads



|  |  |  |   |   |
|--|--|--|---|---|
| <b>Housing/<br/>Mounting</b><br><br>M10x1<br><br>M12x1 | <b>Output<br/>Type/Logic</b><br><br>PUSH PULL<br><br>1<br>0<br>HIGH IN AIR | <b>Supply<br/>Voltage</b><br><br>4.5 - 15.4 V<br>VOLTAGE | <b>Output<br/>Current</b><br><br>UP TO 100mA<br>CURRENT | <b>Temp</b><br><br>-25°C to<br>+80°C<br>TEMPERATURE |
|--|--|--|---|---|

#### BENEFITS

- Low power
- Low cost
- Compact design

#### OUTPUT VALUES

**Output Voltage<sup>b</sup> (V<sub>out</sub>):** **I<sub>out</sub> = 100mA**  
Output High                    V<sub>out</sub> = V<sub>s</sub> - 1.5V max  
Output Low                      V<sub>out</sub> = 0V + 0.5V max

#### TECHNICAL SPECIFICATIONS

|  |  |
|--|--|
| Supply voltage (V <sub>s</sub> )                   | 4.5V <sub>DC</sub> to 15.4V <sub>DC</sub>          |
| Supply current (I <sub>s</sub> )                   | 2.5mA max. (V <sub>s</sub> = 15.4V <sub>DC</sub> ) |
| Output sink and source current (I <sub>out</sub> ) | 100mA  |
| Operating temperatures                             | -25°C to +80°C                                     |
| Storage temperatures                               | -30°C to +85°C                                     |
| Housing material <sup>a</sup>                      | Polysulfone  |
| Sensor termination                                 | 24AWG, 250mm PTFE wires, 8mm tinned                |

Other sensor options available on request, email: [technical@sstsensing.com](mailto:technical@sstsensing.com)

**Need help? Ask the expert**  
**Tel: + 44 (0)1236 459 020**  
**and ask for "Technical"**



- a) Before use check that the fluid in which you wish to use these devices is compatible with Polysulfone.  
b) Voltages applicable to output value stated.

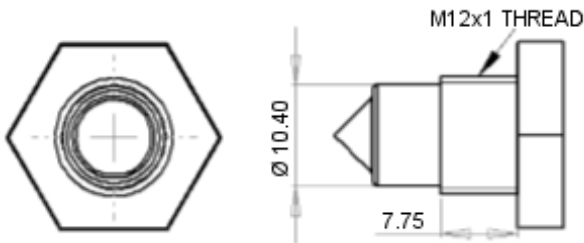
## OUTLINE DRAWING

All dimensions shown in mm. Tolerances =  $\pm 1$ mm.

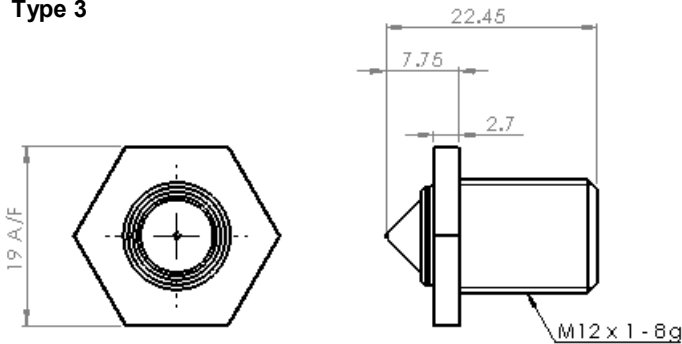
**Type 1**



**Type 2**



**Type 3**



**Type 5**



## HOUSING SPECIFICATIONS

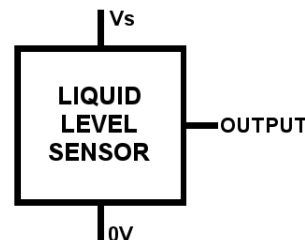
| Housing Series - External Mounting |                               |                                    |
|------------------------------------|-------------------------------|------------------------------------|
|                                    | Type 1                        | Type 2                             |
| Thread                             | M12x1x8g                      | M12x1x8g with hex nut <sup>c</sup> |
| Pressure <sup>d</sup>              | 7 bar / 101 psi maximum       |                                    |
| Tightening Torque                  | 1.5 Nm / 13.26 in-lbs maximum |                                    |

| Housing Series - Internal Mounting |                                    |                |
|------------------------------------|------------------------------------|----------------|
|                                    | Type 3                             | Type 5         |
| Thread                             | M12x1x8g with hex nut <sup>c</sup> | M10x1          |
| Pressure <sup>d</sup>              | 7 bar / 101 psi maximum            |                |
| Tightening Torque                  | 1.5 Nm / 13.26 in-lbs maximum      | Not Applicable |

**NOTE:** In the cases of Type 1 and Type 3 sensors, the rear of the SST sensors are slightly longer than the Honeywell sensors.

**NOTE:** The dimensions of the Type 5 part make it a "push in" part the same as LLE105000. Note that the sensor can also be secured using an M10 nut.

## ELECTRICAL INTERFACE

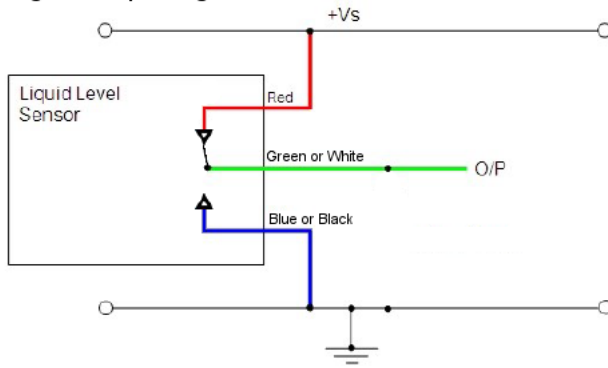


| Wire  | Designation |
|-------|-------------|
| Red   | Vs          |
| Green | Output      |
| Blue  | 0V          |



- c) Hex nut and washer supplied with Type 1, Type 2 and Type 3.  
 d) When correctly sealed.

**Digital Output High in Air**



**CAUTION:** Take care when connecting loads.

The minimum load impedance should not exceed  $V_s/\text{max output current}$ .

**Note:** Shorting the output to  $V_s$  or  $0V$  will result in irreparable damage to the sensor.



**ORDER INFORMATION**

Specify the part number you require.

**Sensor mounted from outside vessel**

**Type 1**

L L C 1 0 1 0 0 0

**Type 2**

L L C 1 0 2 0 0 0

**Sensor mounted from inside vessel**

**Type 3**

L L C 1 0 3 0 0 0

**Type 5**

L L C 1 0 5 0 0 0

Please contact SST Sensing for details; email: [technical@sstsensing.com](mailto:technical@sstsensing.com)

 **CAUTION**

Do not exceed maximum ratings and ensure sensor(s) are operated in accordance with their requirements.

Carefully follow all wiring instructions. Incorrect wiring can cause permanent damage to the device.

SST Sensing Ltd recommend using alcohol based cleaning agents. Do NOT use chlorinated solvents such as trichloroethane as these are likely to attack the sensor material.

**Failure to comply with these instructions may result in product damage.**

 **INFORMATION**

As customer applications are outside of SST Sensing Ltd.'s control, the information provided is given without legal responsibility. Customers should test under their own conditions to ensure that the equipment is suitable for their intended application. Before use, check that the fluid in which you wish to use these devices is compatible with Polysulfone.

**For technical assistance or advice, please email:**  
[technical@sstsensing.com](mailto:technical@sstsensing.com)

**General Note:** SST Sensing Ltd. reserves the right to make changes to product specifications without notice or liability. All information is subject to SST Sensing Ltd.'s own data and considered accurate at time of going to print.

## Данный компонент на территории Российской Федерации

### Вы можете приобрести в компании MosChip.

Для оперативного оформления запроса Вам необходимо перейти по данной ссылке:

<http://moschip.ru/get-element>

Вы можете разместить у нас заказ для любого Вашего проекта, будь то серийное производство или разработка единичного прибора.

В нашем ассортименте представлены ведущие мировые производители активных и пассивных электронных компонентов.

Нашей специализацией является поставка электронной компонентной базы двойного назначения, продукции таких производителей как XILINX, Intel (ex.ALTERA), Vicor, Microchip, Texas Instruments, Analog Devices, Mini-Circuits, Amphenol, Glenair.

Сотрудничество с глобальными дистрибьюторами электронных компонентов, предоставляет возможность заказывать и получать с международных складов практически любой перечень компонентов в оптимальные для Вас сроки.

На всех этапах разработки и производства наши партнеры могут получить квалифицированную поддержку опытных инженеров.

Система менеджмента качества компании отвечает требованиям в соответствии с ГОСТ Р ИСО 9001, ГОСТ РВ 0015-002 и ЭС РД 009

### Офис по работе с юридическими лицами:

105318, г.Москва, ул.Щербаковская д.3, офис 1107, 1118, ДЦ «Щербаковский»

Телефон: +7 495 668-12-70 (многоканальный)

Факс: +7 495 668-12-70 (доб.304)

E-mail: [info@moschip.ru](mailto:info@moschip.ru)

Skype отдела продаж:

moschip.ru

moschip.ru\_4

moschip.ru\_6

moschip.ru\_9