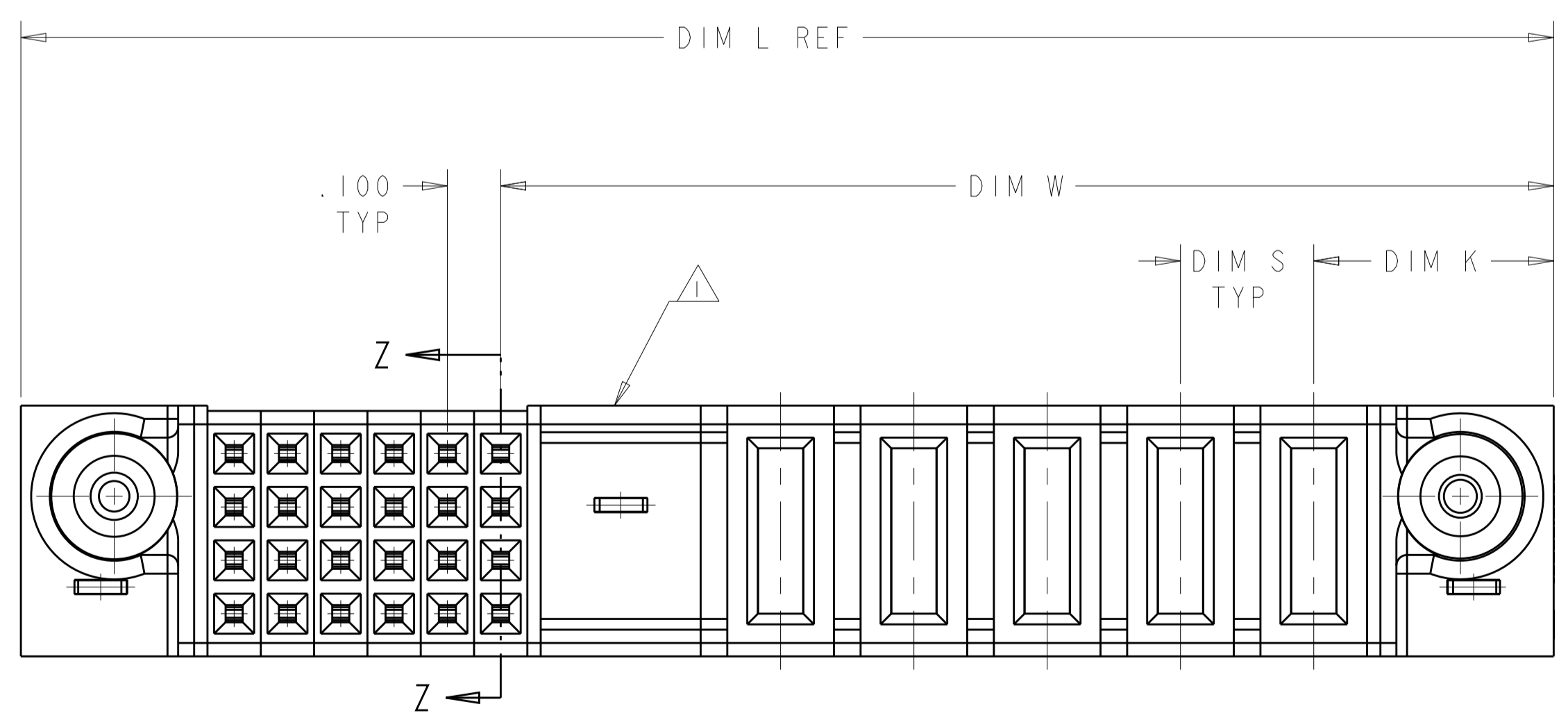
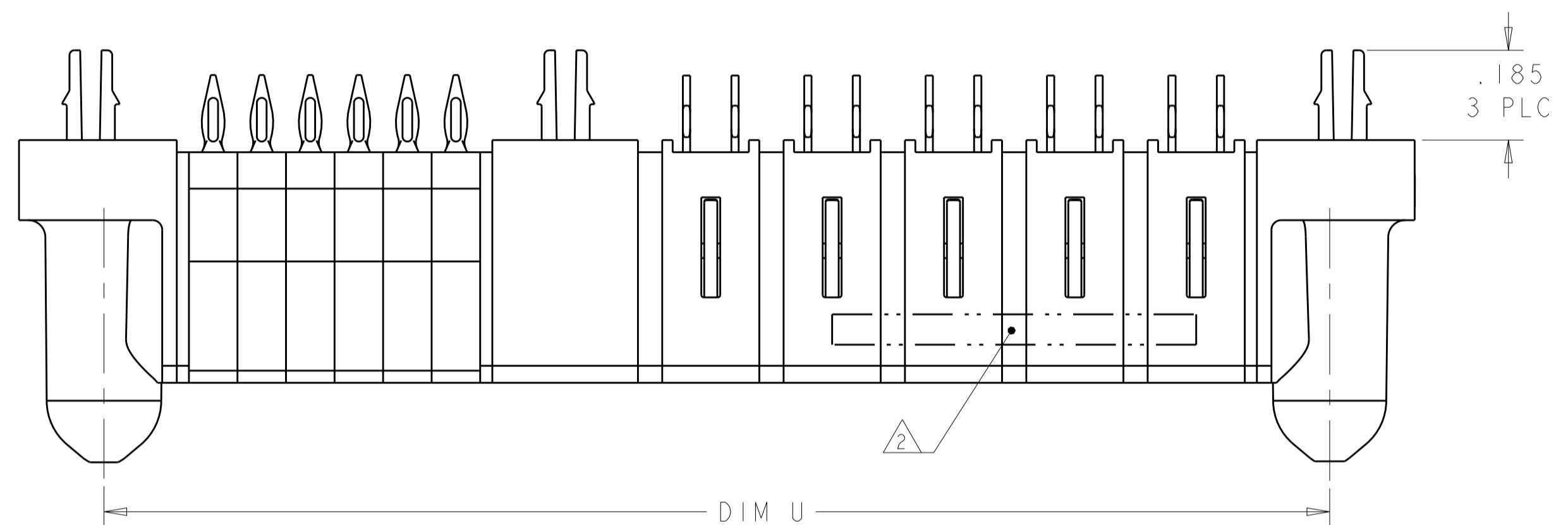
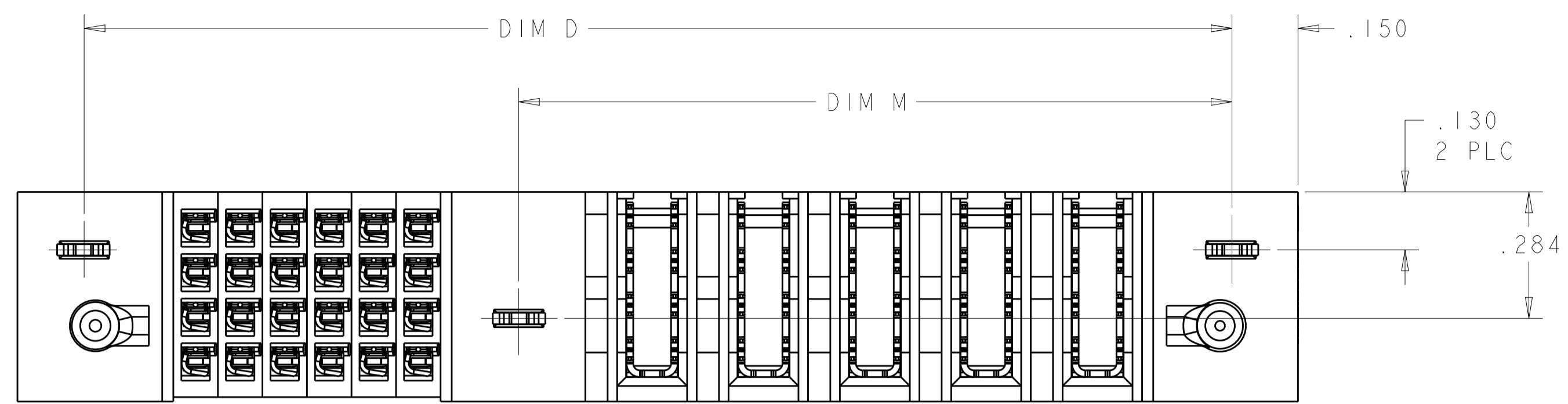
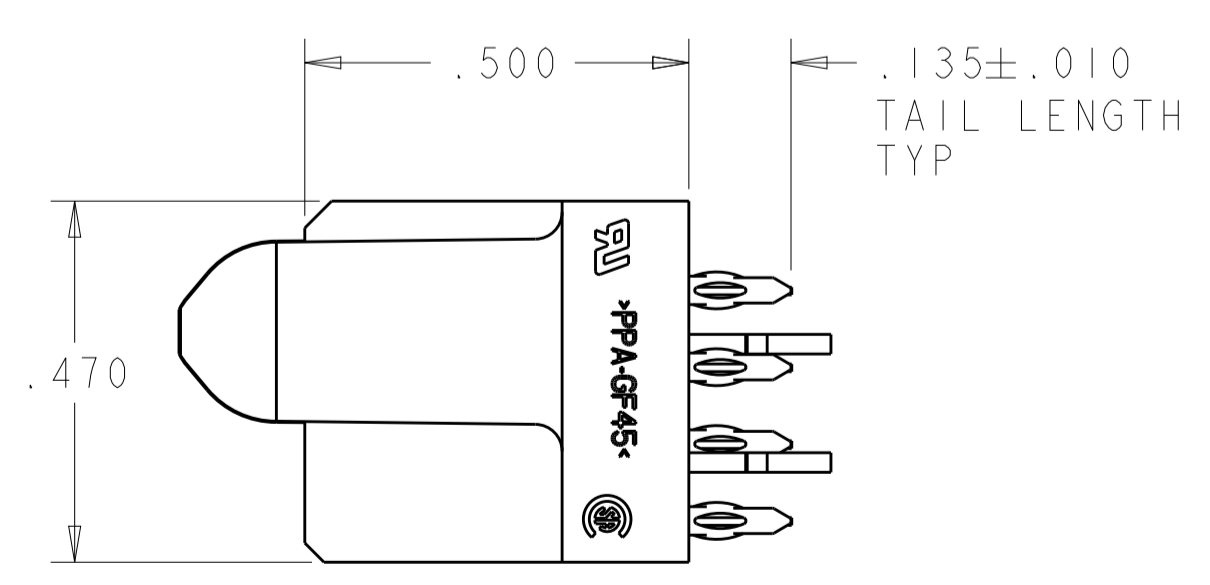
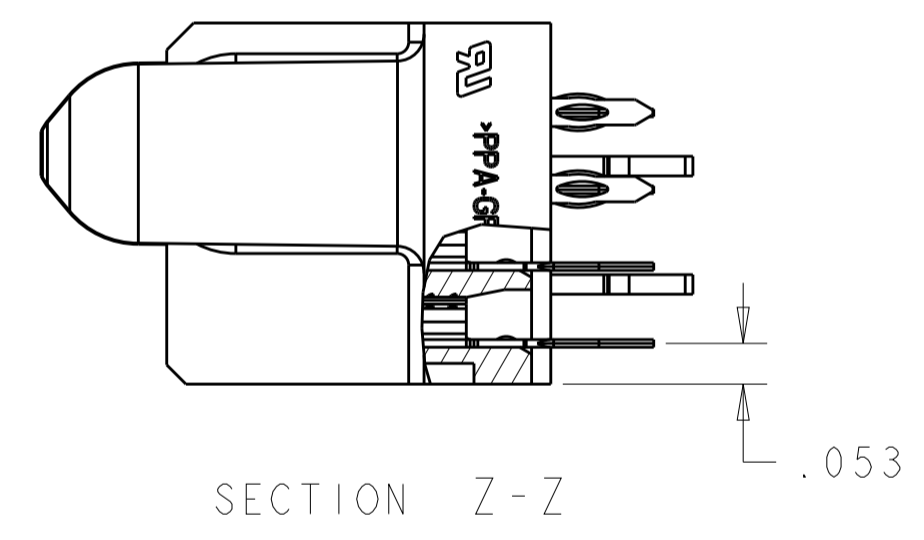


LOC	DIST	REVISIONS			
P	LTN	DESCRIPTION	DATE	DMN	APVD
G7		REV PER ECR-09-008079	08APR2009	OL	SY
H		REV PER ECR-12-003783	28FEB2012	CZ	SZ
H2		ADD NEW PART -29	28JAN2015	AY	SZ



- 1 OPTIONAL CENTER MODULE, WITH Ø.150 THRU HOLE OR HOLD DOWN FEATURE
- 2 "AMP", PART NUMBER, AND DATE CODE TO BE MARKED IN AREA SHOWN
PARTS UNDER 2.00 LONG MAY BE MARKED ON BOTH SIDES
- 3 MATERIAL: HOUSING - GLASS FILLED HIGH TEMP THERMO PLASTIC, UL94 V-0
SIGNAL CONTACT - HIGH CONDUCTIVITY COPPER ALLOY
POWER CONTACT - HIGH CONDUCTIVITY COPPER ALLOY
- 4 CONTACT PLATING: NOBLE METAL PLATING ON CONTACT FUNCTIONAL
AREA OF POWER AND SIGNAL CONTACTS
- 5 MECHANICAL CONNECTOR KEEP OUT ZONE
- 6 DATUM AND BASIC DIMENSIONS ESTABLISHED BY CUSTOMER
- 7 PCB - ALL HOLE DIAMETERS ARE FINISHED HOLE SIZES
- 8 PCB - .0453±.0010 DRILLED HOLES PLATED WITH .0003 MIN Sn
OVER .001 TO .003 CU PLATING TO ACHIEVE
A .040±.003 DIA HOLE
- 9 VARIABLE DIMENSIONS PLEASE REFER TO TABLE FOR DETAIL.

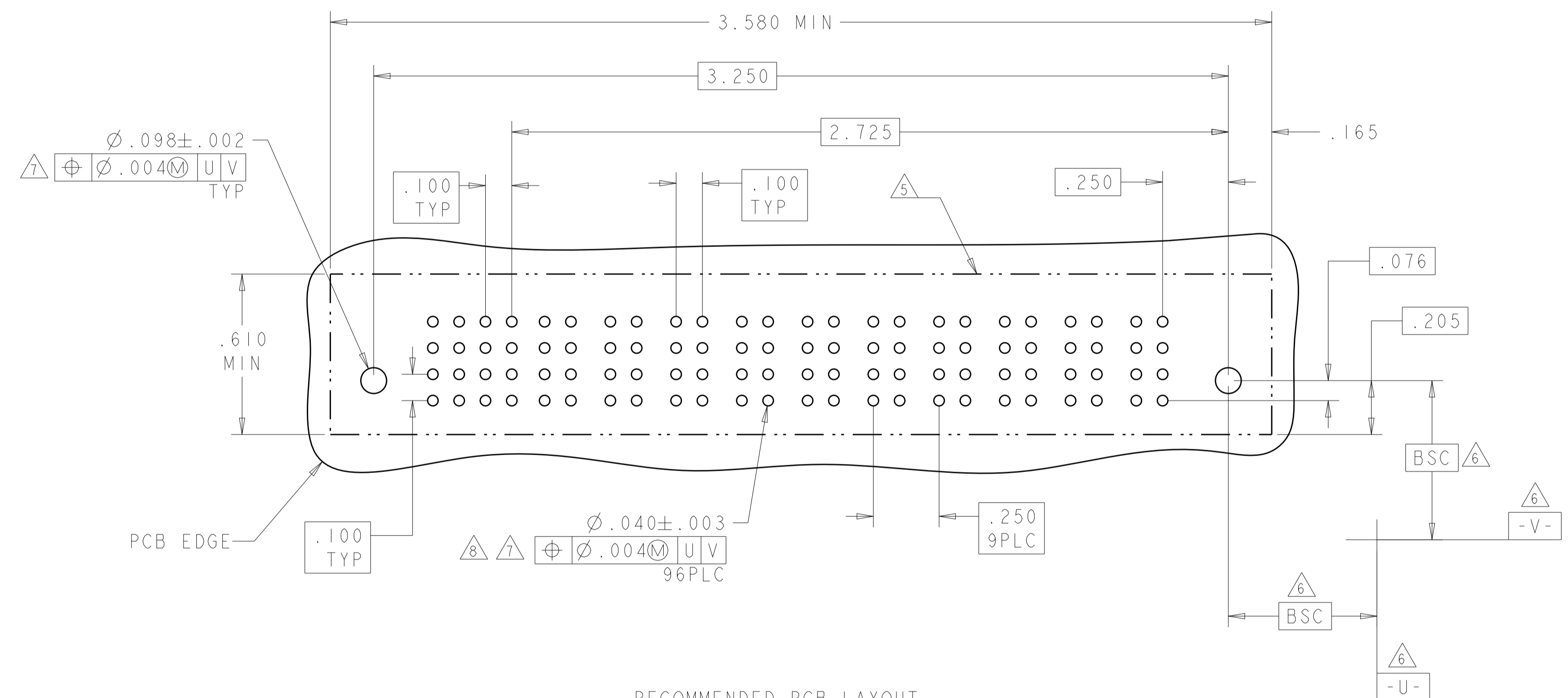


THIS DRAWING IS A CONTROLLED DOCUMENT.		DMN R.GRZYBOWSKI 28FEB05	TE Connectivity VERTICAL RECEPTACLE ASSEMBLY WITH GUIDES MULTI-BEAM XL	
DIMENSIONS: INCHES		CHK M.PERCHEKKE 28FEB05		
TOLERANCES UNLESS OTHERWISE SPECIFIED:		PRODUCT SPEC		RESTRICTED TO
0 PLC ±. 1 PLC ±.01 2 PLC ±.01 3 PLC ±.005 4 PLC ±.0020 ANGLES ±.7°		APPLICATION SPEC		SIZE CAGE CODE DRAWING NO
MATERIAL		WEIGHT		A100779C=6450542
FINISH		CUSTOMER DRAWING		SCALE 4:1 SHEET 1 OF 10 REV H2

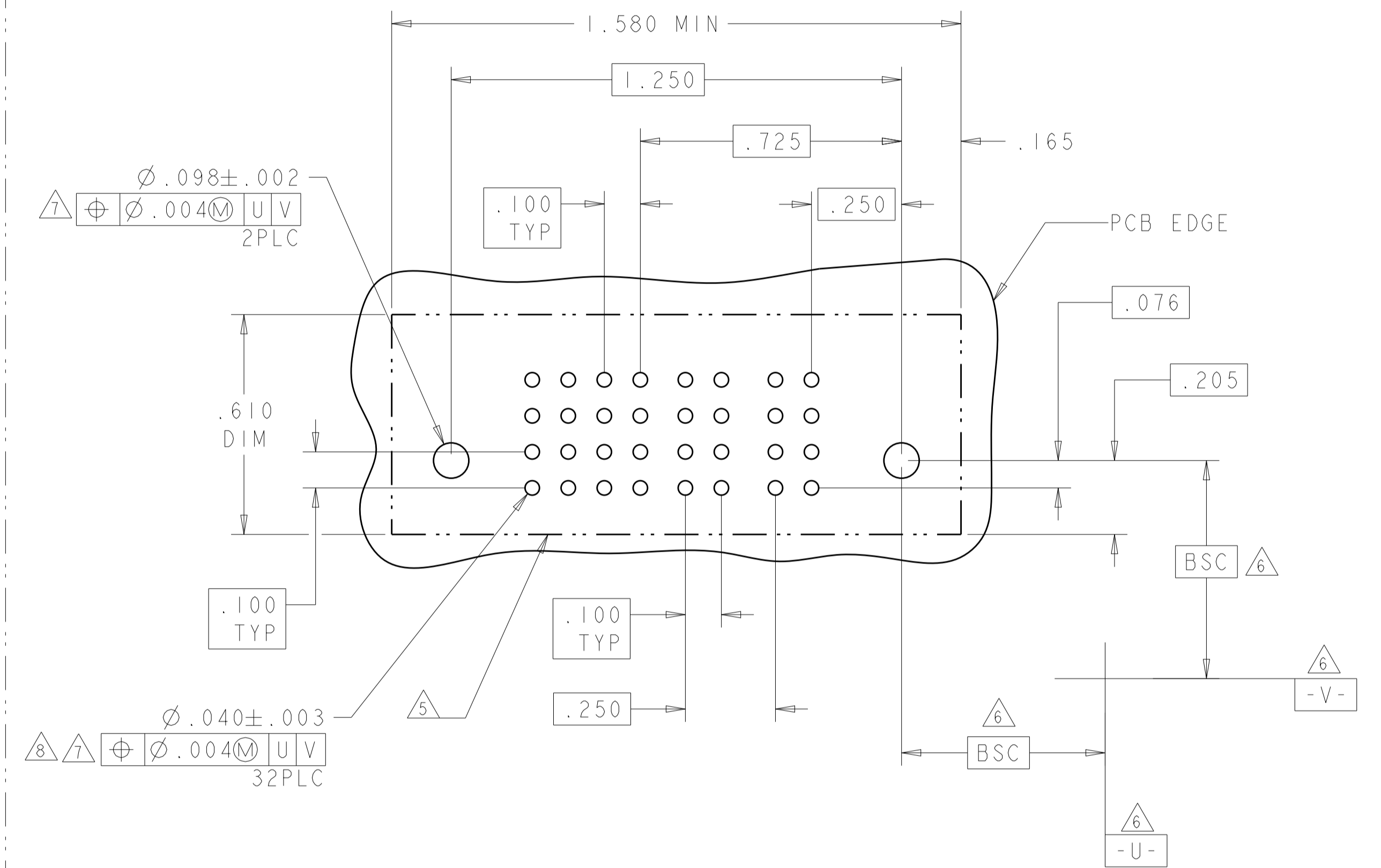
LOC		DIST		REVISIONS			
ES	00	P	LTN	DESCRIPTION	DATE	DWN	APVD
		-	-	SEE SHEET 1	-	-	-

PART NUMBER	ROWS	SIGNAL				POWER										
		4	3	2	1	P10	P9	P8	P7	P6	P5	P4	P3	P2	P1	
2-6450542-2	D C B A	AP	AP	AP	AP	GS	GS	GS	GS	GS	GS	GS	GS	GS	GS	
		HD														HD
		10P + 16S														

PART NUMBER	ROWS	SIGNAL				POWER		
		4	3	2	1	P2	P1	
2-6450542-3	D C B A	AP	AP	AP	AP	GS	GS	
		HD						HD
		2P + 16S						



RECOMMENDED PCB LAYOUT
6450542-22



RECOMMENDED PCB LAYOUT
6450542-23

H2	H	DIM U	DIM S	DIM W	DIM D	DIM M	DIM L	DIM K	DESCRIPTION	PART NUMBER
		1.500	.250	1.375	1.550	-	1.850	.450	4P + 8S	2-6450542-9
		4.425	.200	2.200	4.475	-	4.775	.450	9P + 92S	2-6450542-7
		3.350	.200	2.825	3.400	-	3.700	.450	12HDP + 24S	2-6450542-5
		2.825	.200	2.300	2.875	-	3.175	.475	3ACP + 4P + 24S	2-6450542-4
		1.200	.250	.875	1.250	-	1.550	.450	2P + 16S	2-6450542-3
		3.200	.250	2.875	3.250	-	3.550	.450	10P + 16S	2-6450542-2
		2.300	.250	1.875	2.350	-	2.650	.450	6P + 20S	2-6450542-0
		1.800	.250	1.275	1.850	-	2.150	.450	4P + 24S	1-6450542-9
		2.900	.250	2.375	2.950	-	3.250	.450	8P + 24S	1-6450542-8
		2.100	.250	1.375	2.150	-	2.450	.450	4P + 32S	1-6450542-7
		2.100	.250	1.875	2.150	-	2.450	.450	6P + 12S	1-6450542-6
		2.900	.200	2.425	3.000	-	3.300	.450	10HDP + 24S	1-6450542-5
		2.000	.250	.875	-	-	2.350	.450	2P + 48S	1-6450542-4
		5.900	.250	5.375	5.950	-	6.250	.450	20P + 24S	1-6450542-2
		1.400	.250	.875	1.450	-	1.750	.450	2P + 24S	1-6450542-1
		1.100	-	.575	1.150	-	1.450	.425	1P + 24S	1-6450542-0
		4.425	.250	3.875	4.475	-	4.775	.450	14P + 24S	6450542-9
		3.050	.250	2.125	3.100	-	3.400	.450	7P + 40S	6450542-8
		3.800	-	3.550	3.850	-	4.150	.475	11P + 12S	6450542-4
		3.800	-	3.550	3.850	-	4.150	.475	11P + 12S	6450542-3
		3.000	.250	2.375	3.050	-	3.350	.450	8P + 28S	6450542-2
		1.600	.250	1.375	1.650	-	1.950	.450	4P + 12S	6450542-1

THIS DRAWING IS A CONTROLLED DOCUMENT.

DIMENSIONS: INCHES

TOLERANCES UNLESS OTHERWISE SPECIFIED:

0 PLC	±
1 PLC	±.01
2 PLC	±.01
3 PLC	±.005
4 PLC	±.002
ANGLES	±.0020

MATERIAL: . . . FINISH: . . .

APPROVED: M. PERCHERKE

PRODUCT SPEC: 108-1973

APPLICATION SPEC: 114-13038

WEIGHT: . . .

CUSTOMER DRAWING

SCALE: 4:1

SHEET 2 OF 10

REV H2

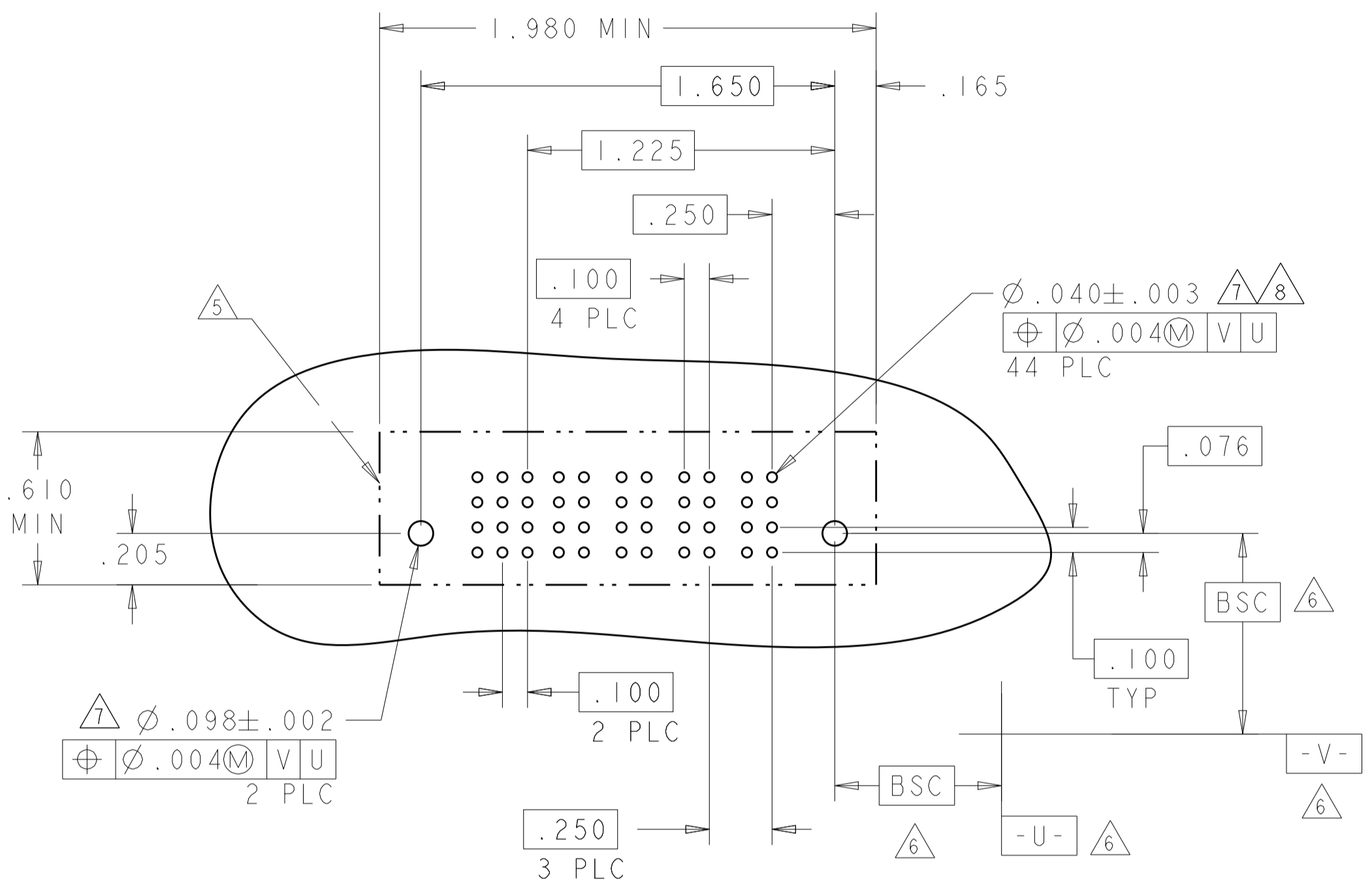
TE Connectivity

VERTICAL RECEPTACLE ASSEMBLY WITH GUIDES MULTI-BEAM XL

SIZE: A100779 C=6450542

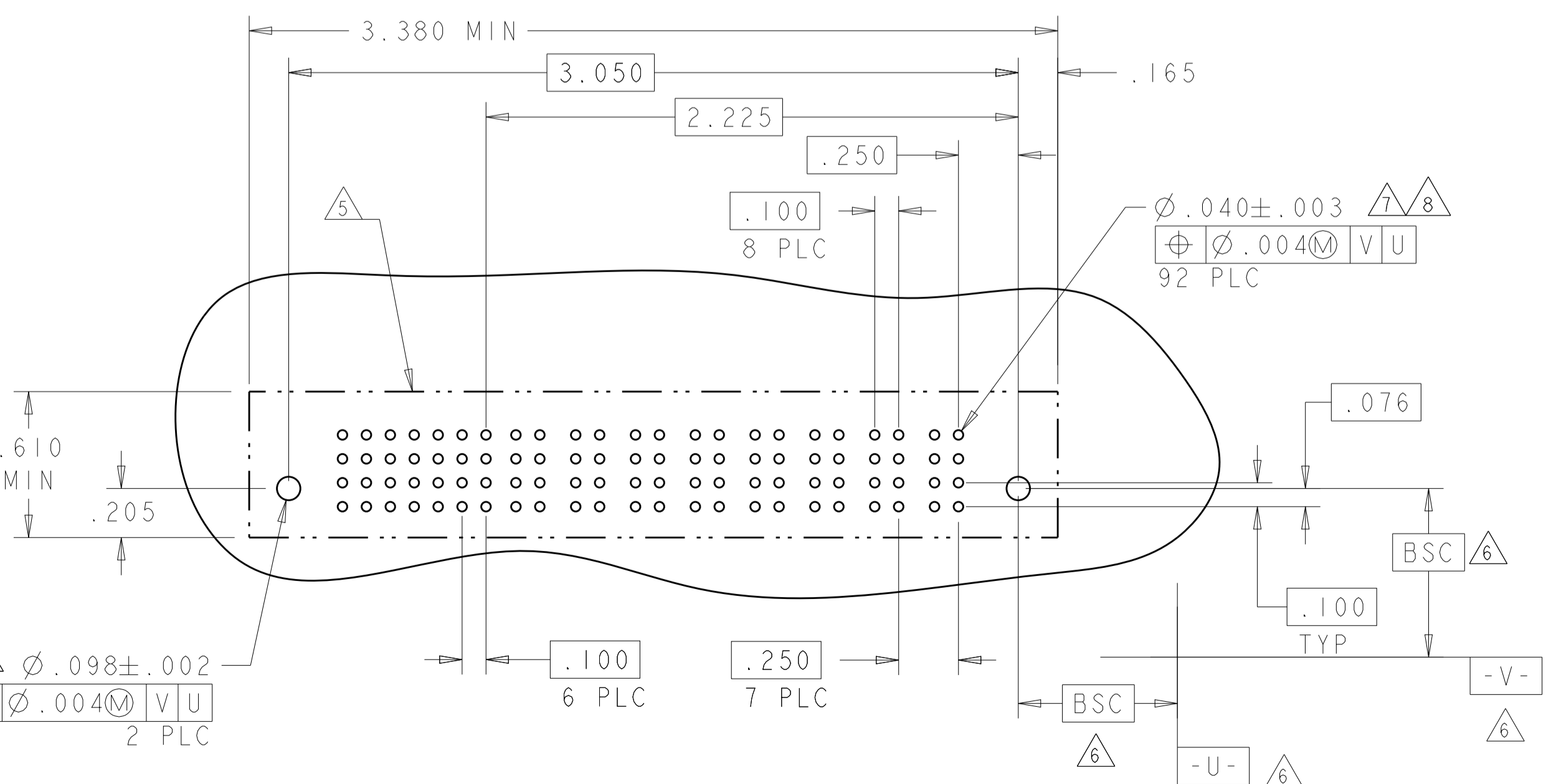
PART NUMBER	ROWS	SIGNAL			POWER			
		3	2	1	P4	P3	P2	P1
6450542-1	D	AP	AP	AP	GP	GP	GP	GP
	C	AP	AP	AP				
	B	AP	AP	AP				
	A	AP	AP	AP				

4P + 12S



PART NUMBER	ROWS	SIGNAL							POWER							
		7	6	5	4	3	2	1	P8	P7	P6	P5	P4	P3	P2	P1
6450542-2	D	AP	AP	AP	AP	AP	AP	AP	GP	GP	GP	GP	GP	GP	GP	GP
	C	AP	AP	AP	AP	AP	AP									
	B	AP	AP	AP	AP	AP	AP									
	A	AP	AP	AP	AP	AP	AP									

8P + 28S



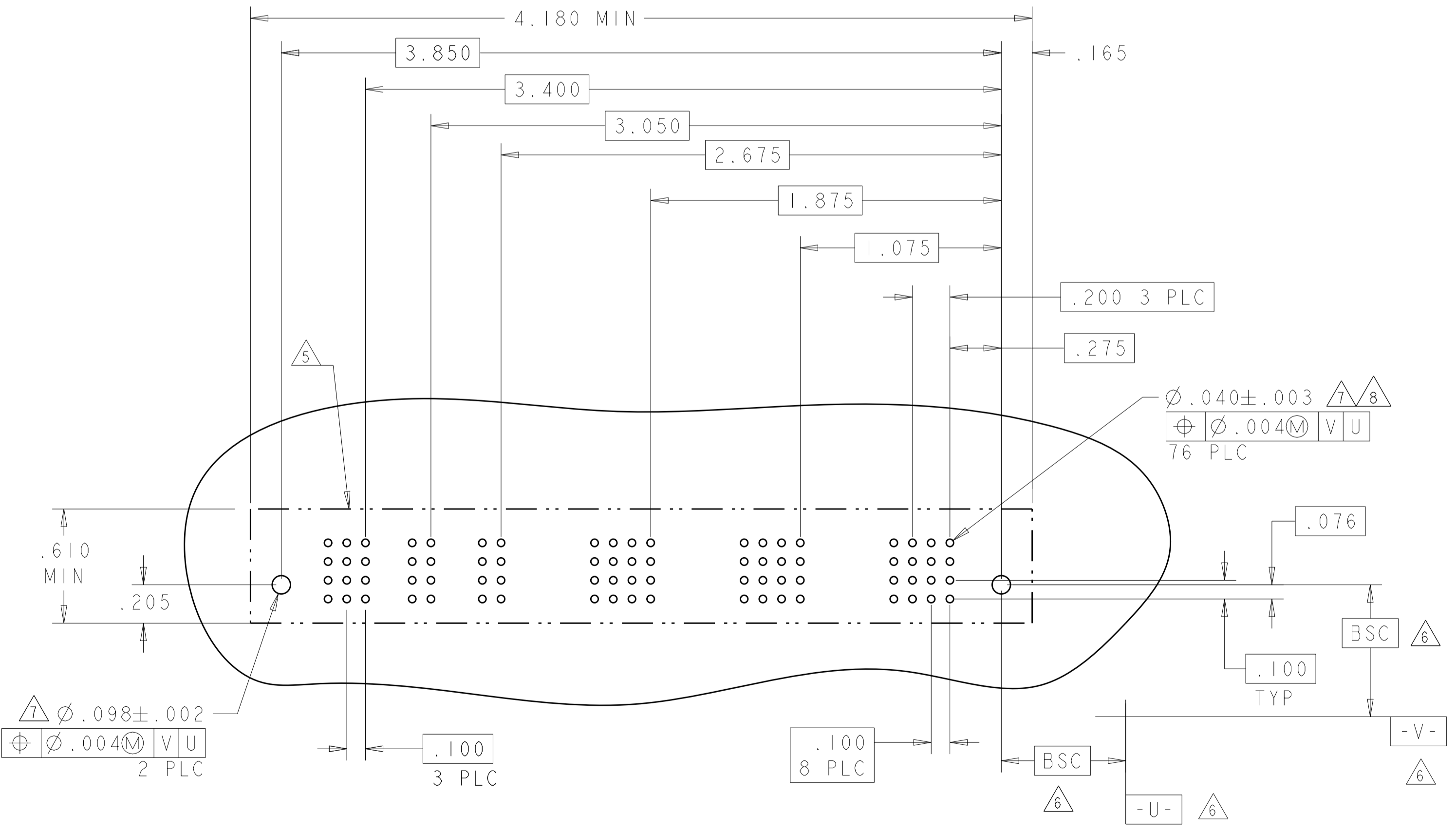
LOC	DIST	REV	DATE	APP'D
ES	00			

PART NUMBER	ROWS	SIGNAL			POWER											
		3	2	1	P11	P10	P9	P8	P7	P6	P5	P4	P3	P2	P1	
6450542-3	D	AP	AP	AP	GP	GP	GP	GP	GP	GP	GP	GP	GP	GP	GP	GP
	C	AP	AP	AP												
	B	AP	AP	AP												
	A	AP	AP	AP												

11P + 12S

PART NUMBER	ROWS	SIGNAL			POWER										
		3	2	1	P11	P10	P9	P8	P7	P6	P5	P4	P3	P2	P1
6450542-4	D	AP	AP	AP	GP	GP	GP	GP	GP	GP	GP	GP	GP	GP	GP
	C	AP	AP	AP											
	B	AP	AP	AP											
	A	AP	AP	AP											

11P + 12S



AP	SIGNAL PRESS FIT
GS	POWER PRESS FIT, STD
GP	POWER PRESS FIT, MFBL
CODE	TAIL LENGTH

THIS DRAWING IS A CONTROLLED DOCUMENT.

DIMENSIONS:	TOLERANCES UNLESS OTHERWISE SPECIFIED:	OWN: R. GRZYBOWSKI 28FEB95	DATE: 28FEB05
INCHES	0 PLC ±.01	CHK: M. PERCHERKE	NAME: M. PERCHERKE
	1 PLC ±.01	APVD:	PRODUCT SPEC
	2 PLC ±.01		APPLICATION SPEC
	3 PLC ±.01		108-1973
	4 PLC ±.005		114-13038
	ANGLES ±.002		WEIGHT
	FINISH		SCALE

STE TE Connectivity

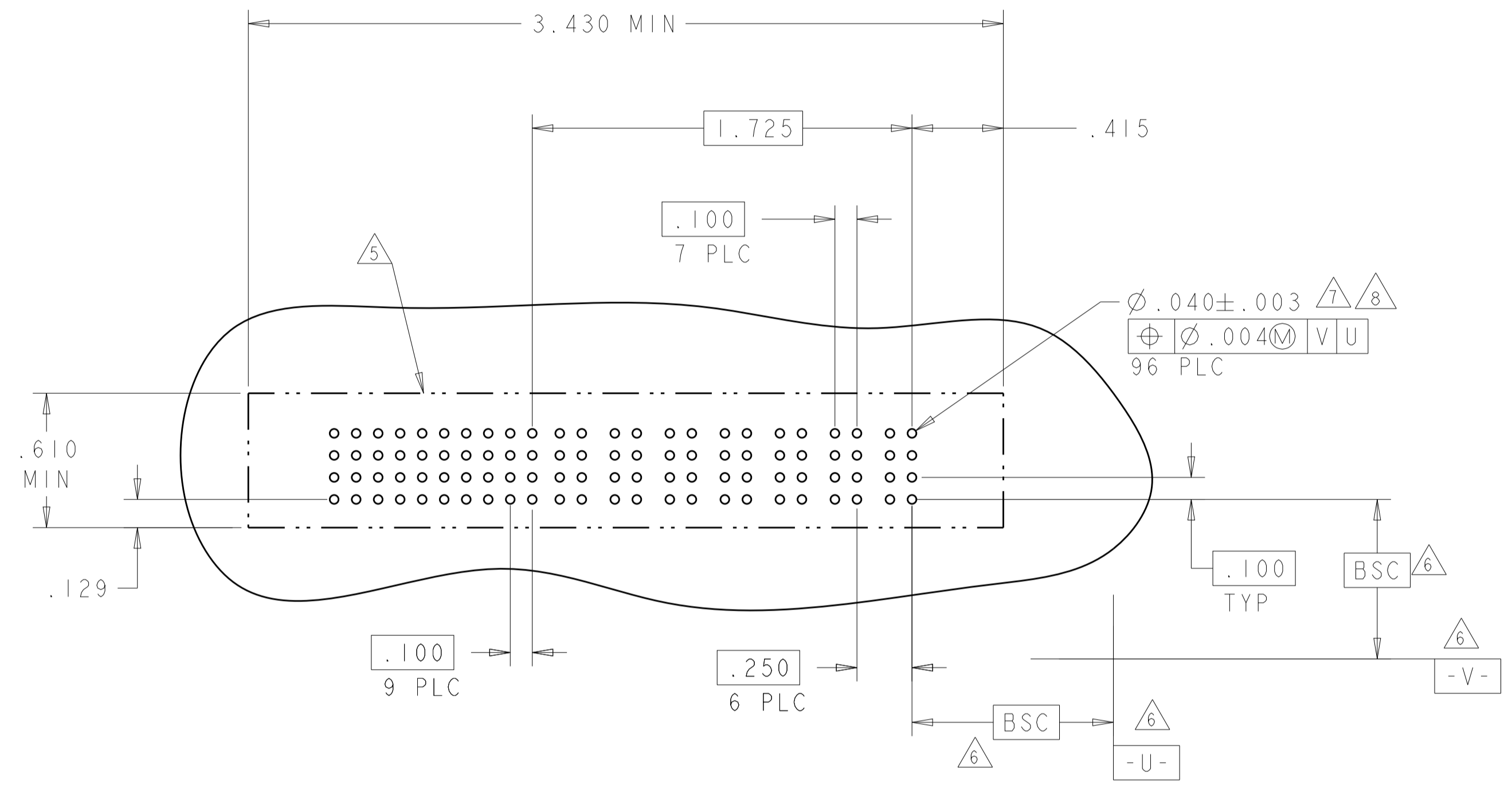
VERTICAL RECEPTACLE ASSEMBLY WITH GUIDES MULTI-BEAM XL

SIZE: A1 00779 C=6450542

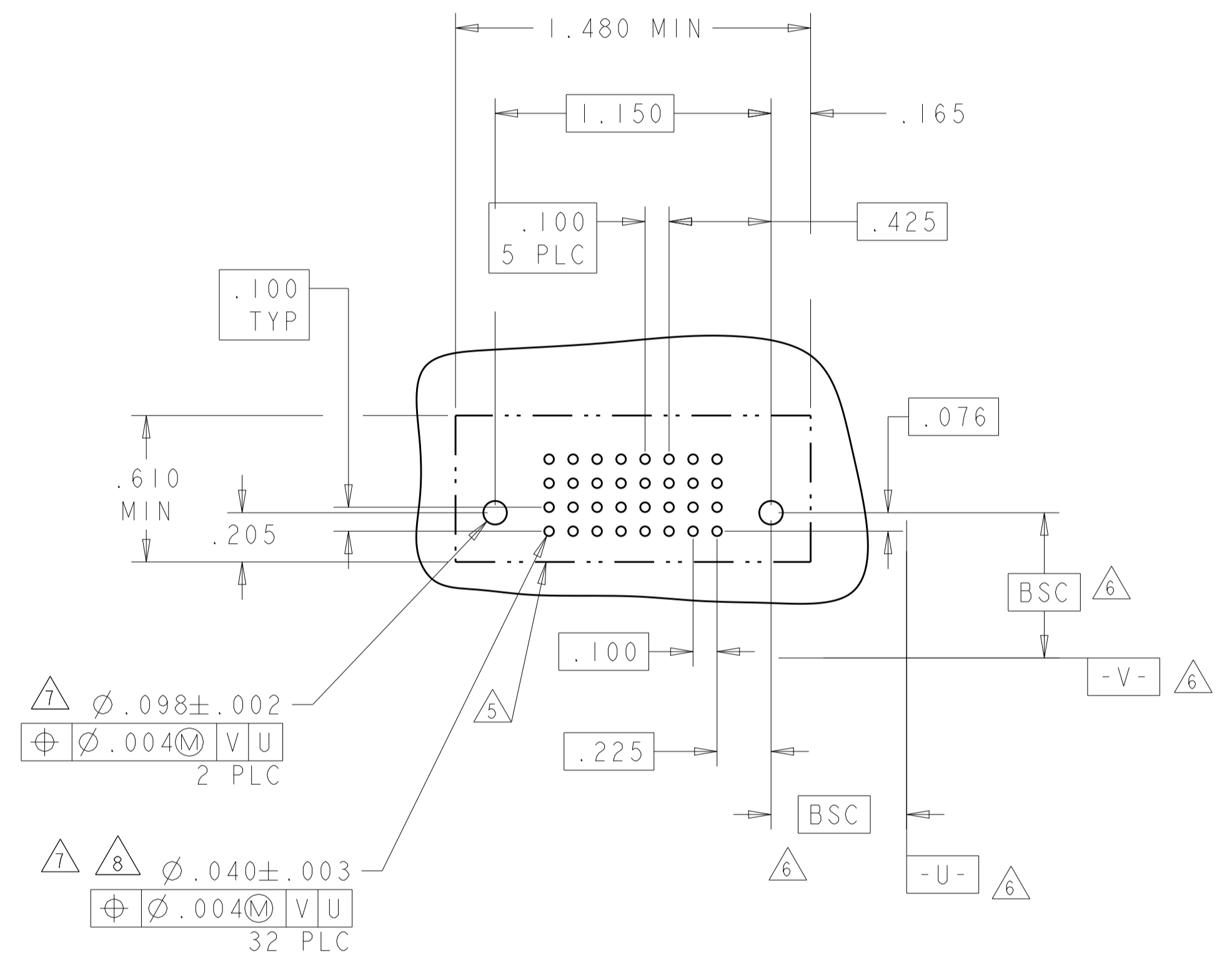
SHEET 3 OF 10

LOC	DIST	REVISIONS					
ES	00	P	LTN	DESCRIPTION	DATE	DMN	APVD
				SEE SHEET 1			

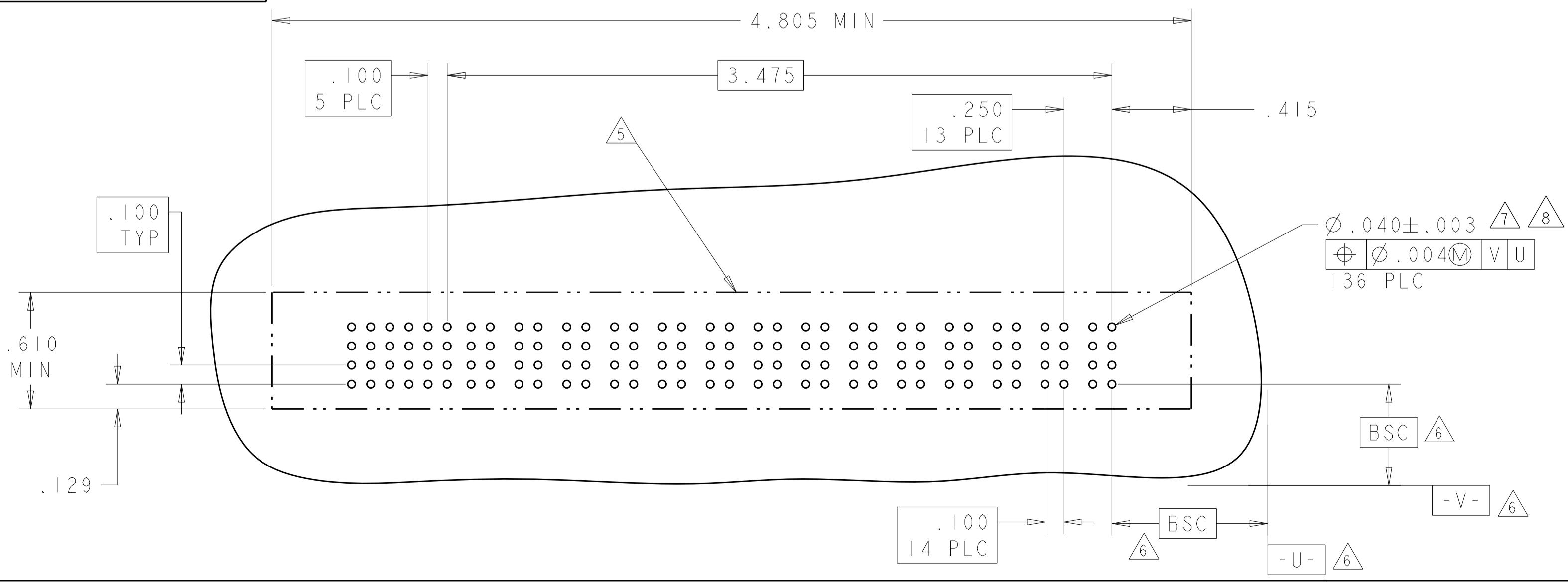
PART NUMBER	ROWS	SIGNAL										POWER						
		10	9	8	7	6	5	4	3	2	1	P7	P6	P5	P4	P3	P2	P1
6450542-8	D C B A	AP	AP	AP	AP	AP	AP	AP	AP	AP	AP	GP	GP	GP	GP	GP	GP	GP
		AP	AP	AP	AP	AP	AP	AP	AP	AP	AP	GP	GP	GP	GP	GP	GP	GP
		AP	AP	AP	AP	AP	AP	AP	AP	AP	AP	GP	GP	GP	GP	GP	GP	GP
		AP	AP	AP	AP	AP	AP	AP	AP	AP	AP	GP	GP	GP	GP	GP	GP	GP
7P + 40S																		



PART NUMBER	ROWS	SIGNAL					POWER	
		6	5	4	3	2	1	P1
1-6450542-0	D C B A	AP	AP	AP	AP	AP	AP	GP
		AP	AP	AP	AP	AP	AP	
		AP	AP	AP	AP	AP	AP	
		AP	AP	AP	AP	AP	AP	
IP + 24S								



PART NUMBER	ROWS	SIGNAL						POWER														
		6	5	4	3	2	1	P14	P13	P12	P11	P10	P9	P8	P7	P6	P5	P4	P3	P2	P1	
6450542-9	D C B A	AP	AP	AP	AP	AP	AP	GP	GP	GP	GP	GP	GP	GP	GP	GP	GP	GP	GP	GP	GP	GP
		AP	AP	AP	AP	AP	AP	GP	GP	GP	GP	GP	GP	GP	GP	GP	GP	GP	GP	GP	GP	
		AP	AP	AP	AP	AP	AP	GP	GP	GP	GP	GP	GP	GP	GP	GP	GP	GP	GP	GP	GP	
		AP	AP	AP	AP	AP	AP	GP	GP	GP	GP	GP	GP	GP	GP	GP	GP	GP	GP	GP	GP	
14P + 24S																						



THIS DRAWING IS A CONTROLLED DOCUMENT. DWN: R. GRZYBOWSKI 28FEB05
 CHK: M. PERCHERKE 28FEB05
 APVD: M. PERCHERKE

DIMENSIONS: INCHES
 TOLERANCES UNLESS OTHERWISE SPECIFIED:
 0 PLC ±.
 1 PLC ±.01
 2 PLC ±.01
 3 PLC ±.01
 4 PLC ±.005
 5 PLC ±.005
 6 PLC ±.0020
 ANGLES ±.020

MATERIAL: FINISH:

PRODUCT SPEC: 108-1973
 APPLICATION SPEC: 114-13038
 WEIGHT: A100779
 CUSTOMER DRAWING

NAME: VERTICAL RECEPTACLE ASSEMBLY WITH GUIDES MULTI-BEAM XL
 SIZE: CAGE CODE DRAWING NO: 6450542
 RESTRICTED TO: SCALE 4:1 SHEET 4 OF 10 REV H2

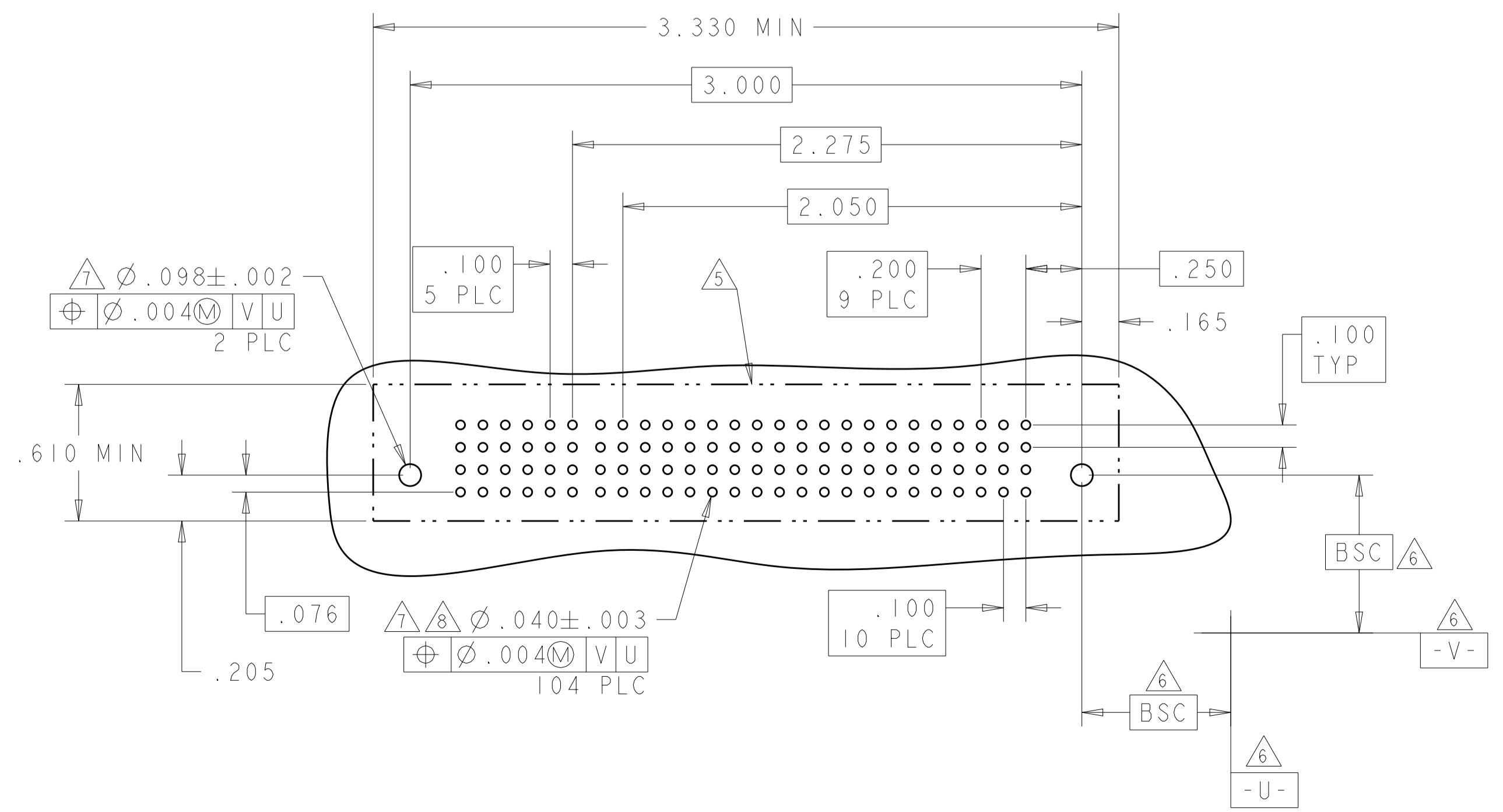
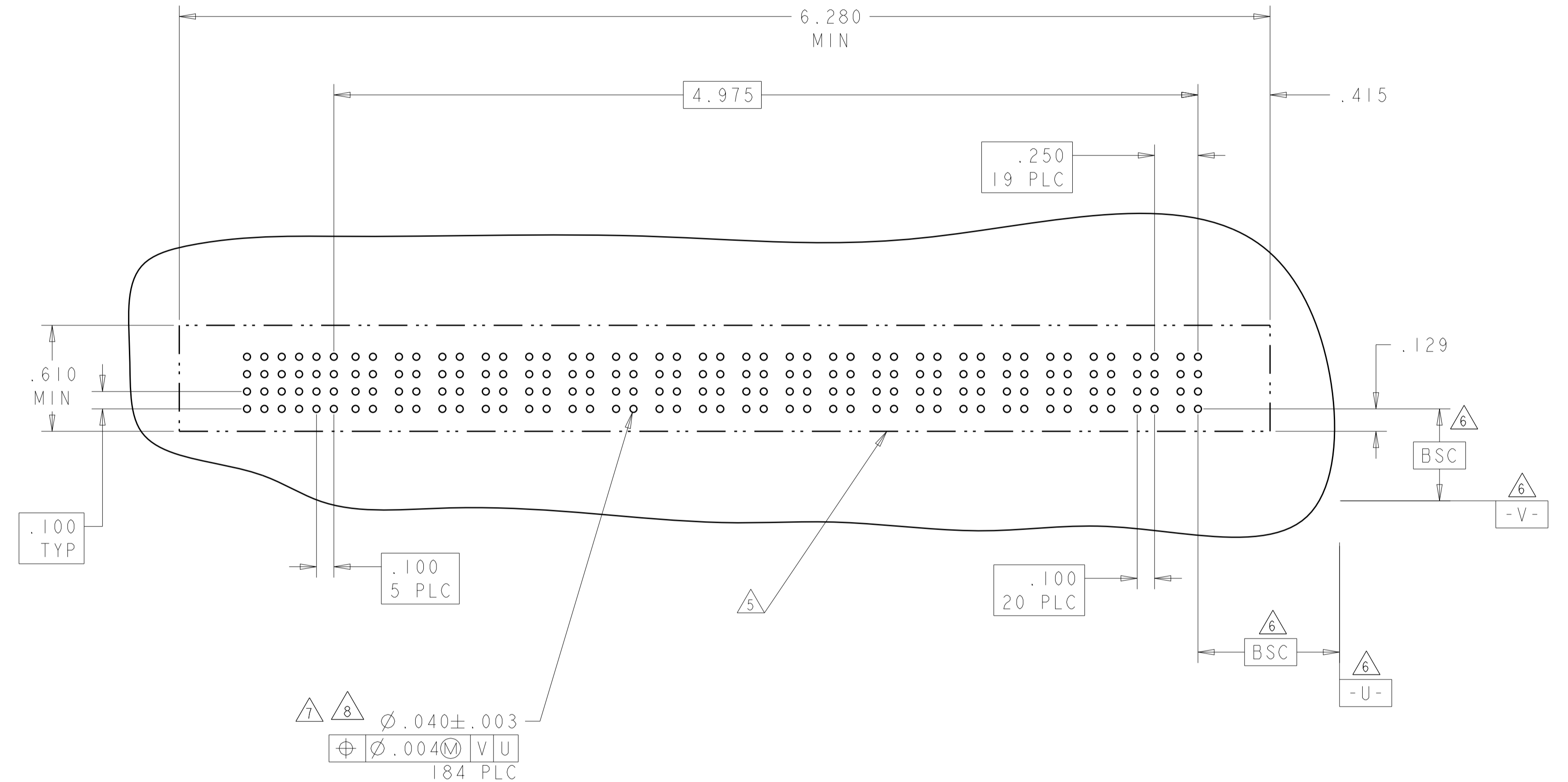
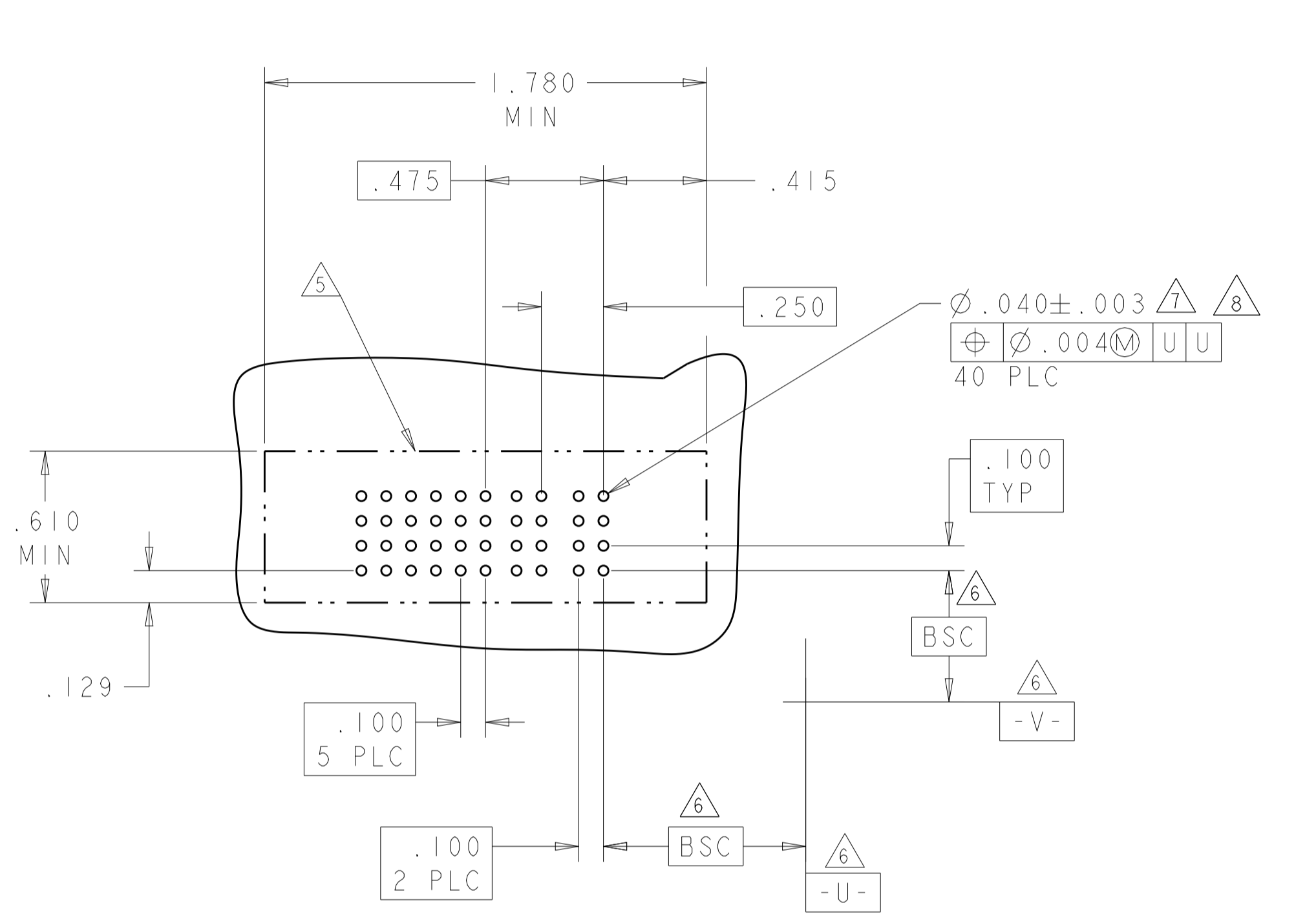
STE TE Connectivity

LOC	DIST	REV	DATE	BY	APPV
ES	00				

REVISIONS		DATE	BY	APPV
1	SEE SHEET 1			

PART NUMBER	ROWS	SIGNAL						POWER	
		6	5	4	3	2	1	P2	P1
1-6450542-1	D	AP	AP	AP	AP	AP	AP	GP	GP
	C	AP	AP	AP	AP	AP	AP		
	B	AP	AP	AP	AP	AP	AP		
	A	AP	AP	AP	AP	AP	AP		
2P + 24S									

PART NUMBER	ROWS	SIGNAL						POWER																				
		6	5	4	3	2	1	P20	P19	P18	P17	P16	P15	P14	P13	P12	P11	P10	P9	P8	P7	P6	P5	P4	P3	P2	P1	
1-6450542-2	D	AP	AP	AP	AP	AP	AP	GP	GP	GP	GP	GP	GP	GP	GP	GP	GP	GP	GP	GP	GP	GP	GP	GP	GP	GP	GP	
	C	AP	AP	AP	AP	AP	AP																					
	B	AP	AP	AP	AP	AP	AP																					
	A	AP	AP	AP	AP	AP	AP																					
20P + 24S																												



PART NUMBER	ROWS	SIGNAL						POWER									
		6	5	4	3	2	1	P10	P9	P8	P7	P6	P5	P4	P3	P2	P1
1-6450542-5	D	AP	AP	AP	AP	AP	AP	GP	GP	GP	GP	GP	GP	GP	GP	GP	GP
	C	AP	AP	AP	AP	AP	AP										
	B	AP	AP	AP	AP	AP	AP										
	A	AP	AP	AP	AP	AP	AP										
10HDP + 24S																	

THIS DRAWING IS A CONTROLLED DOCUMENT.

OWN: R. GRZYBOWSKI 28FEB95
 CHK: M. PERCHERKE 28FEB05
 APVD: M. PERCHERKE

STE TE Connectivity

NAME: VERTICAL RECEPTACLE ASSEMBLY WITH GUIDES MULTI-BEAM XL

PRODUCT SPEC: 108-1973
 APPLICATION SPEC: 114-13038

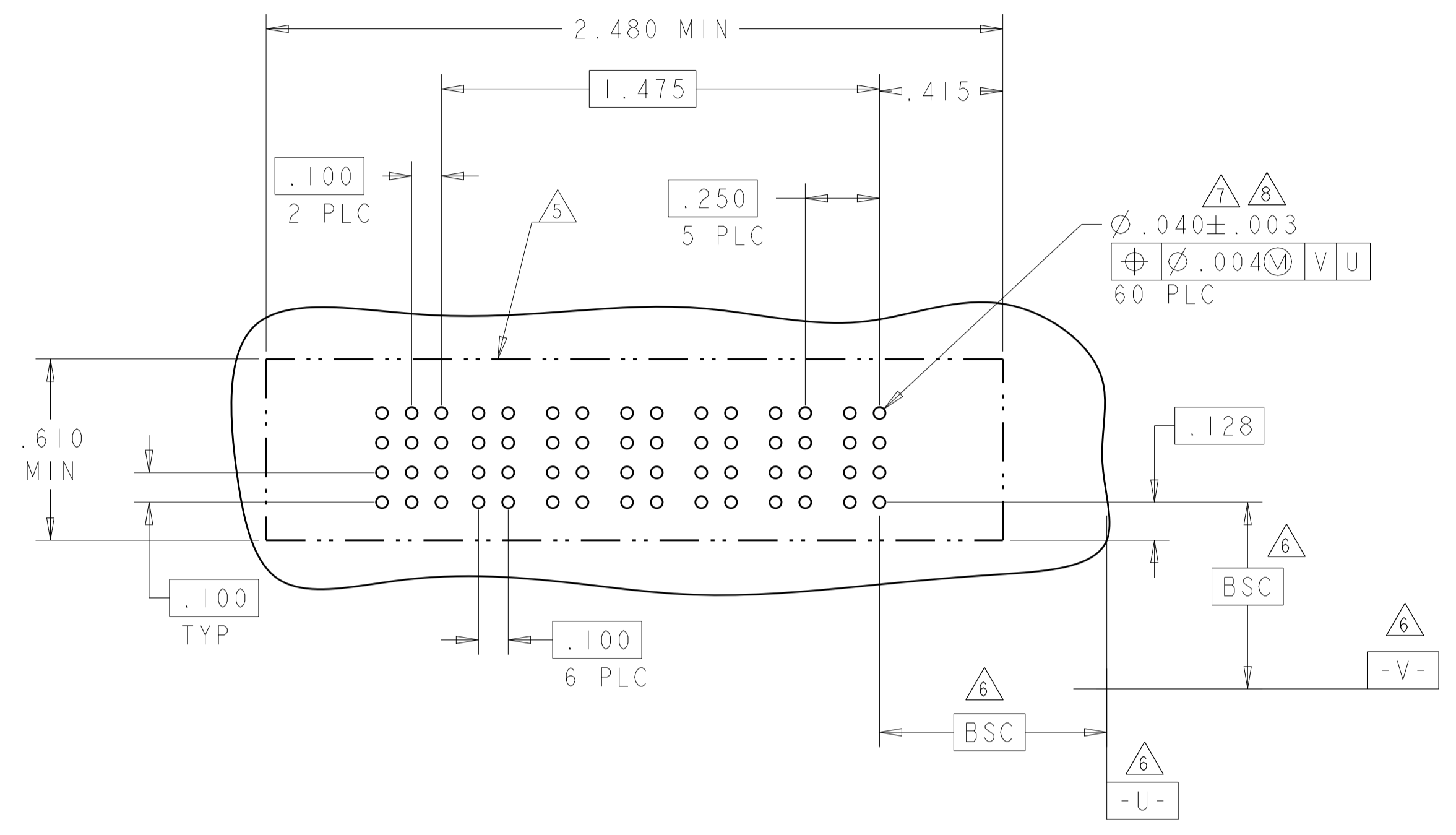
SIZE: A1 00779 C=6450542
 SHEET 5 OF 10 REV H2

SCALE: 4:1

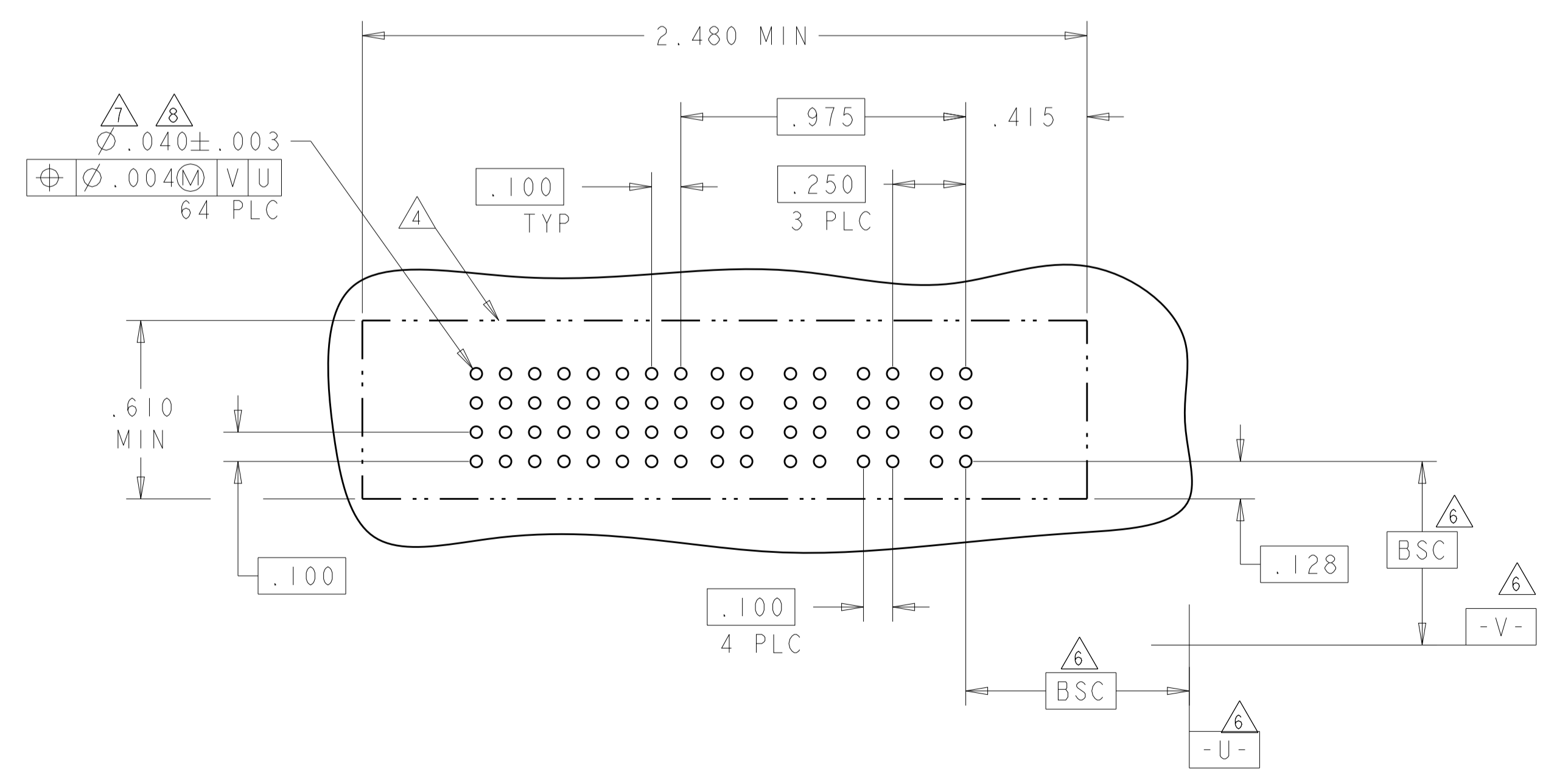
LOC	DIST	REV	DATE	BY	APPD
ES	00				

REVISIONS		DATE	BY	APPD
-	SEE SHEET 1	-	-	-

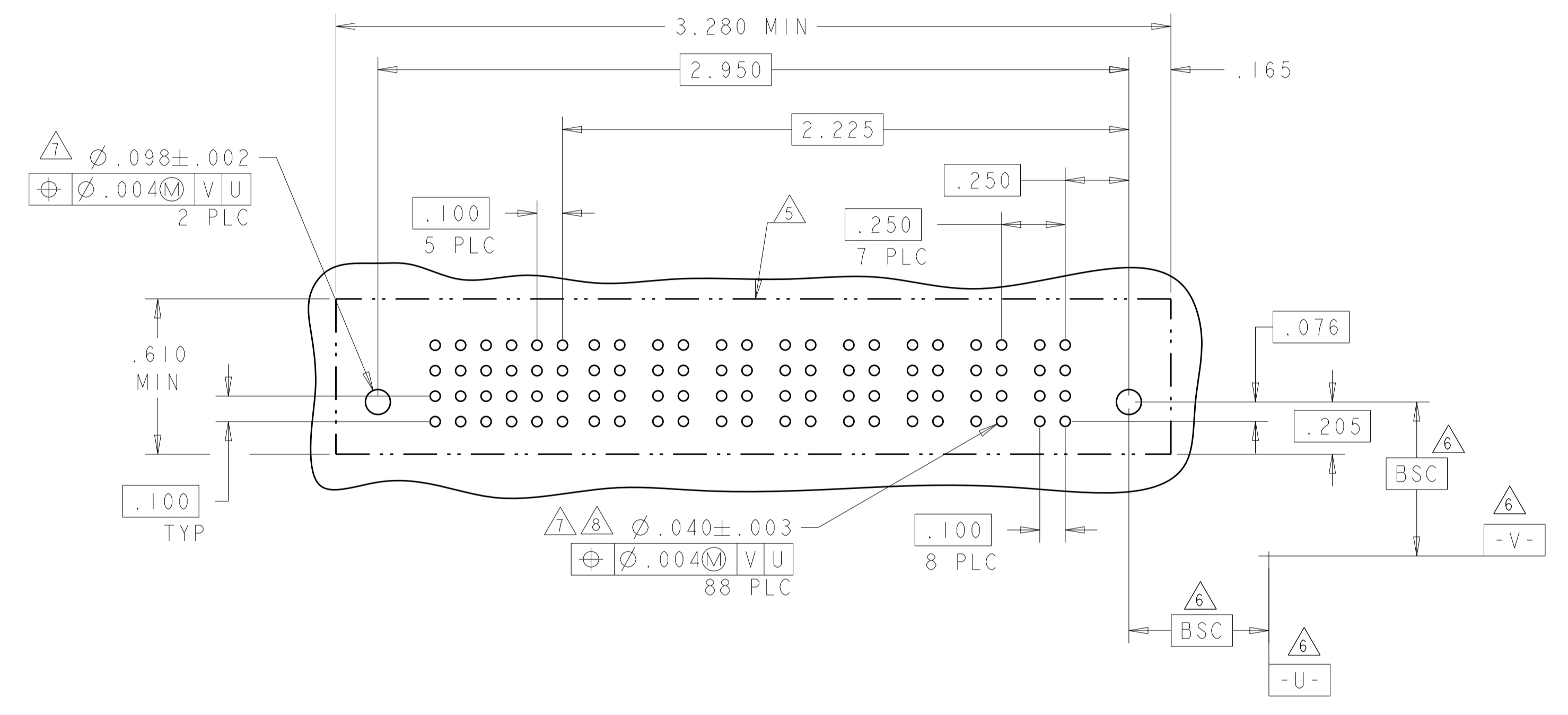
ASSY PART NUMBER	ROWS	SIGNAL					POWER				
		3	2	1	P6	P5	P4	P3	P2	P1	
1-6450542-6	D C B A	AP	AP	AP							
		AP	AP	AP	GS	GS	GS	GS	GS	GS	
		AP	AP	AP							
		AP	AP	AP							
6P + 12S											



ASSY PART NUMBER	ROWS	SIGNAL								POWER			
		8	7	6	5	4	3	2	1	P4	P3	P2	P1
1-6450542-7	D C B A	AP	AP	AP	AP	AP	AP	AP	AP				
		AP	AP	AP	AP	AP	AP	AP	AP	GS	GS	GS	GS
		AP	AP	AP	AP	AP	AP	AP	AP				
		AP	AP	AP	AP	AP	AP	AP	AP				
4P + 32S													



PART NUMBER	ROWS	SIGNAL						POWER							
		6	5	4	3	2	1	P8	P7	P6	P5	P4	P3	P2	P1
1-6450542-8	D C B A	AP	AP	AP	AP	AP	AP								
		AP	AP	AP	AP	AP	AP	GP	GP	GP	GP	GP	GP	GP	
		AP	AP	AP	AP	AP	AP								
		AP	AP	AP	AP	AP	AP								
8P + 24S															

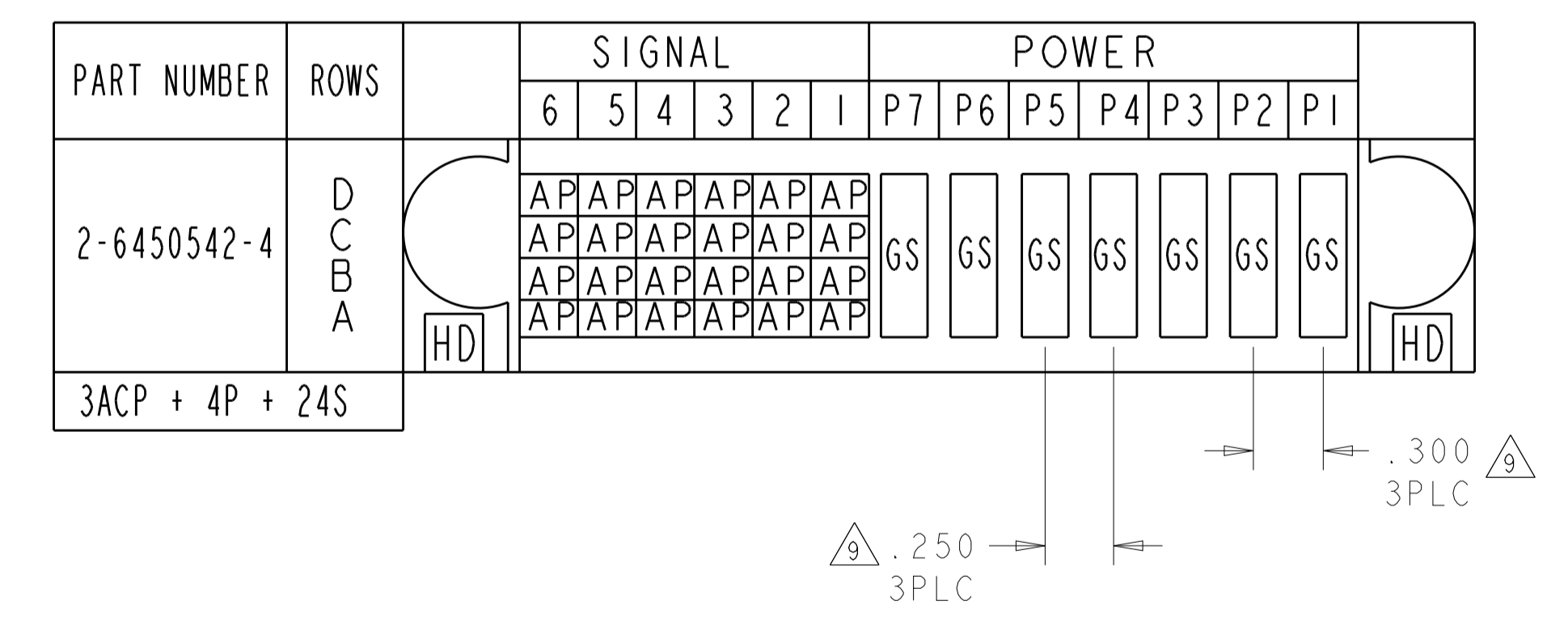
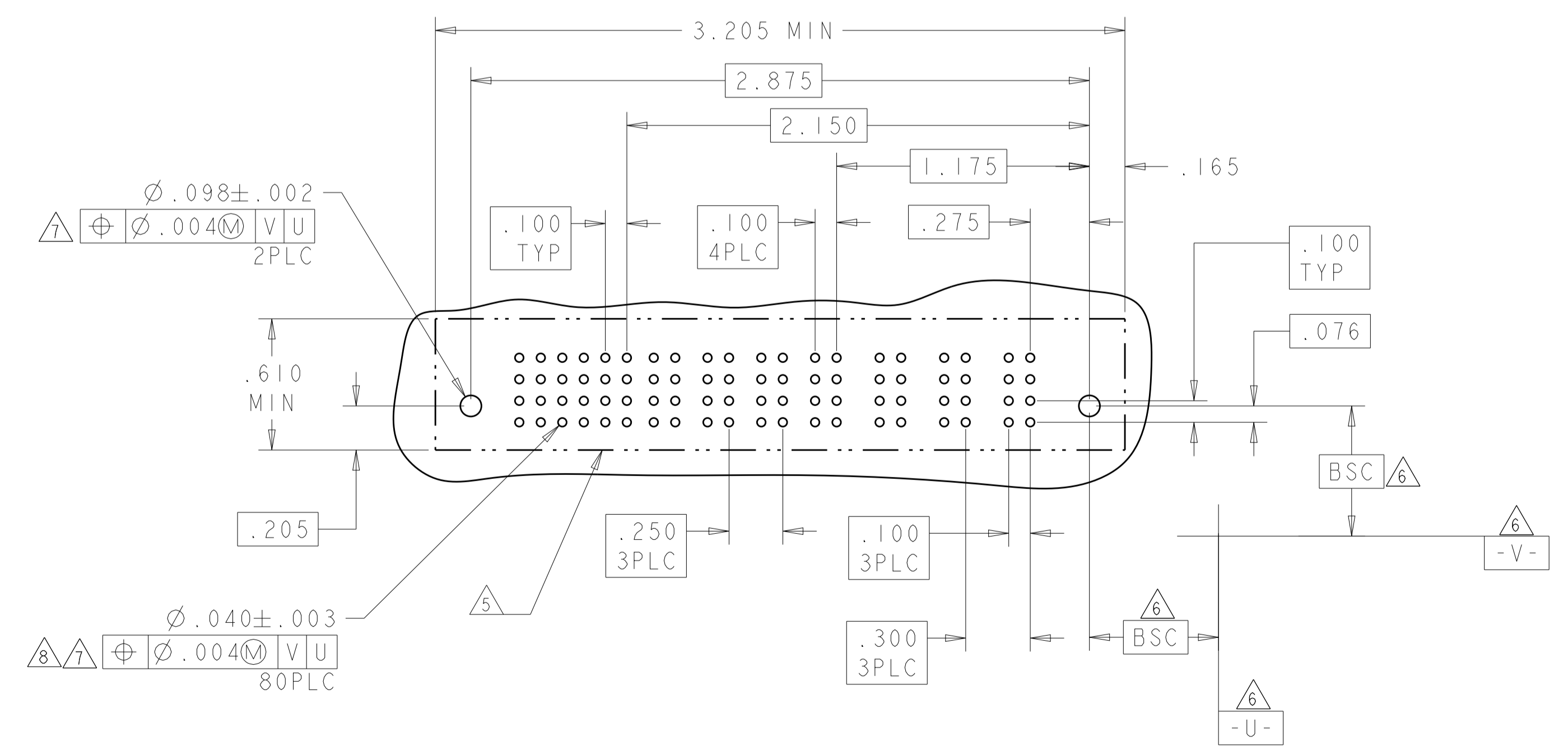
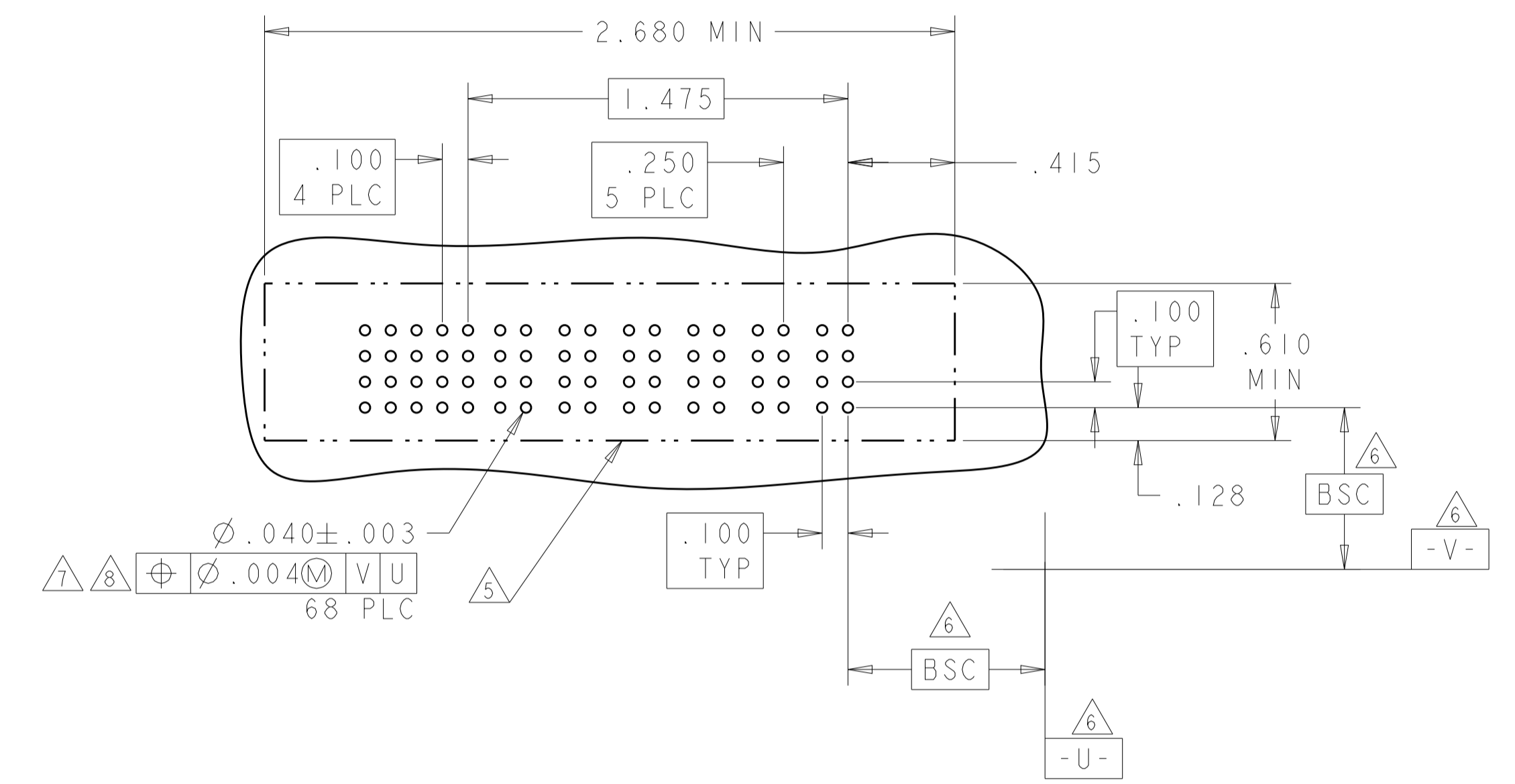
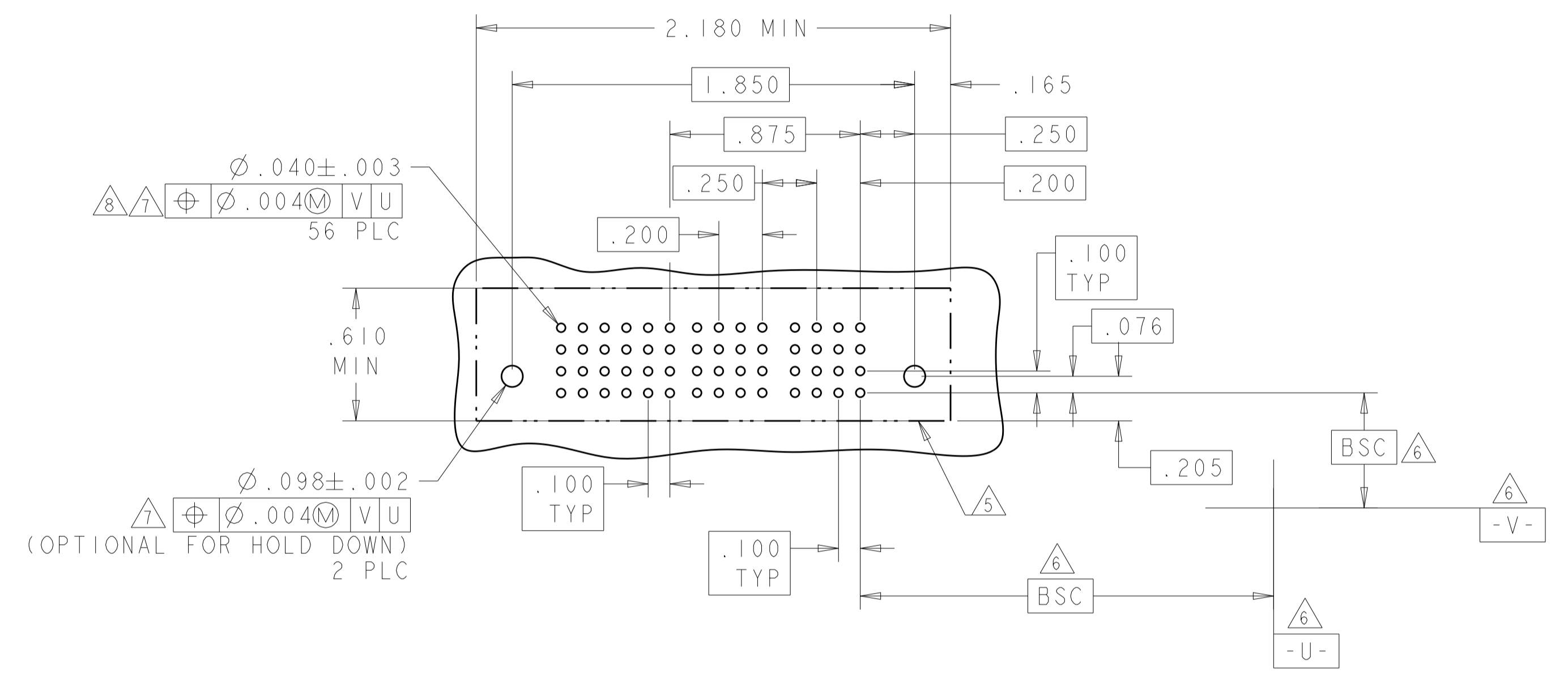
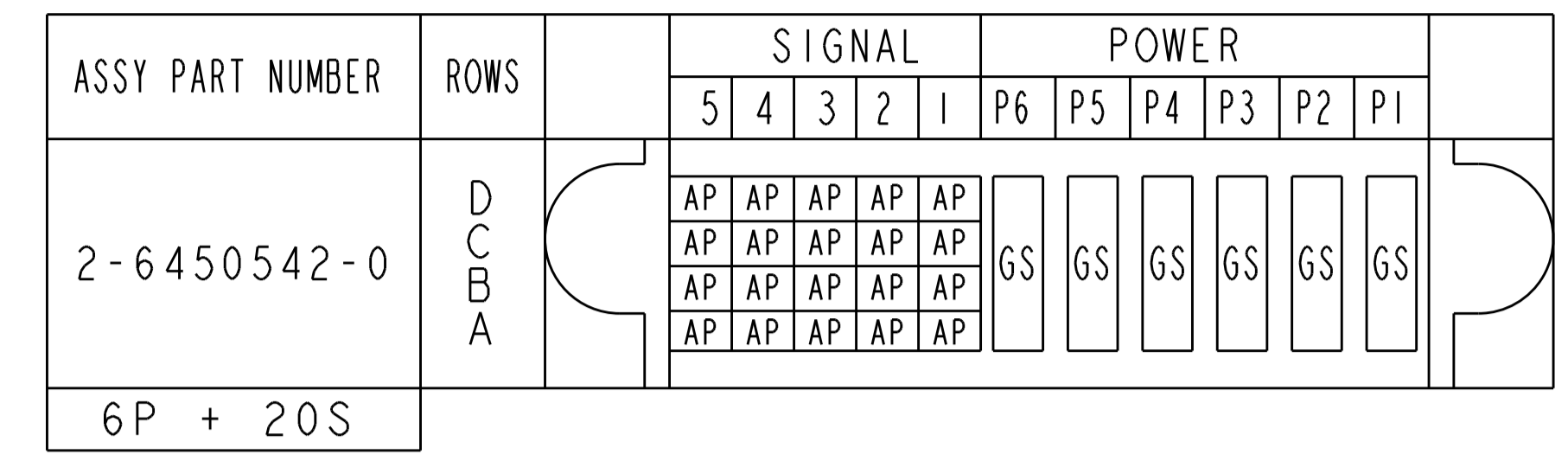
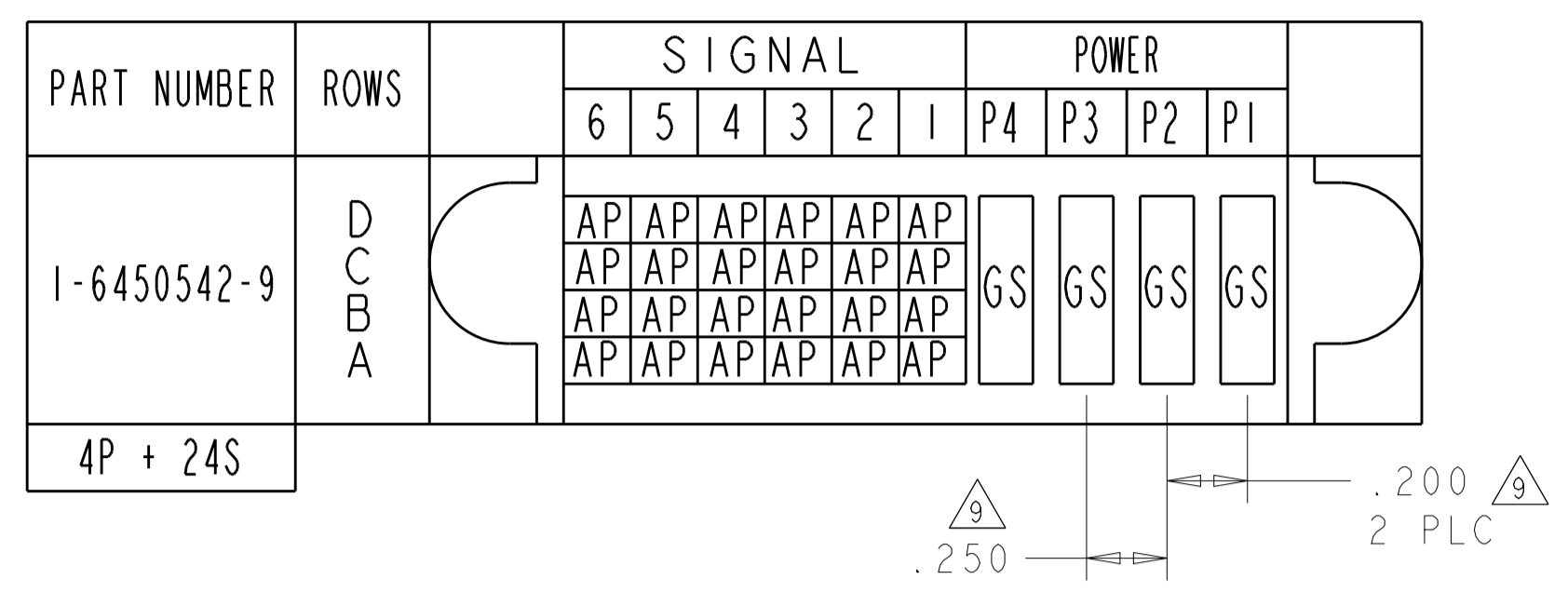


THIS DRAWING IS A CONTROLLED DOCUMENT.

DIMENSIONS: INCHES	TOLERANCES UNLESS OTHERWISE SPECIFIED:	DWN: R. GRZYBOWSKI 28FEB95	CHK: M. PERCHERKE 28FEB05
0 PLC ± .01	1 PLC ± .01	APVD: M. PERCHERKE	NAME: VERTICAL RECEPTACLE ASSEMBLY WITH GUIDES MULTI-BEAM XL
2 PLC ± .01	3 PLC ± .005	PRODUCT SPEC: 108-1973	SIZE: 114-13038
4 PLC ± .0020	ANGLES ± .020	APPLICATION SPEC: 114-13038	RESTRICTED TO: A100779
MATERIAL: -	FINISH: -	WEIGHT: -	SCALE: 4:1
CUSTOMER DRAWING		SHEET 6 OF 10 REV H2	

4805 (3/11)

LOC		DIST		REVISIONS			
ES	00	P	LTN	DESCRIPTION	DATE	DMN	APVD
				SEE SHEET 1			



THIS DRAWING IS A CONTROLLED DOCUMENT.

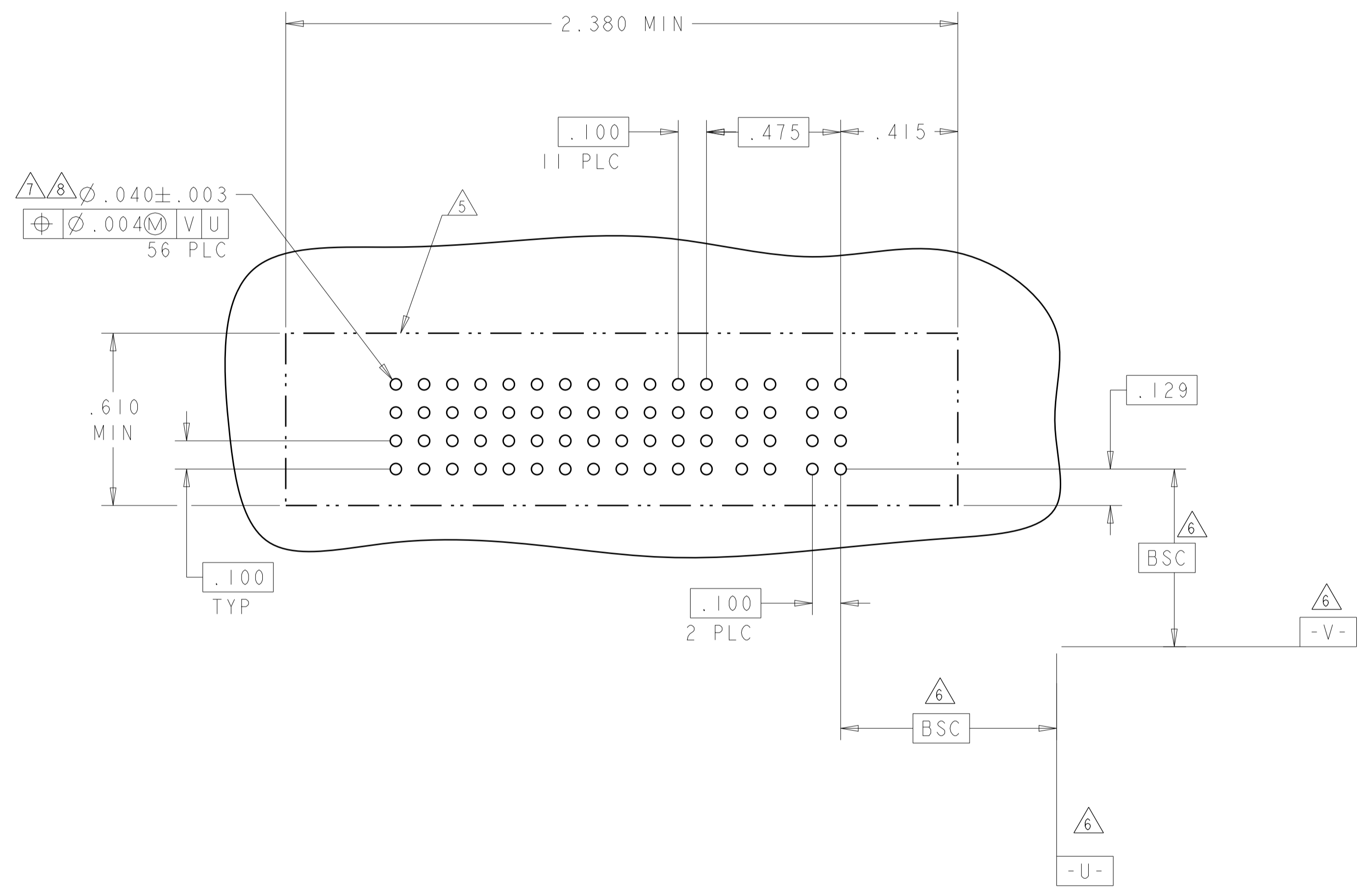
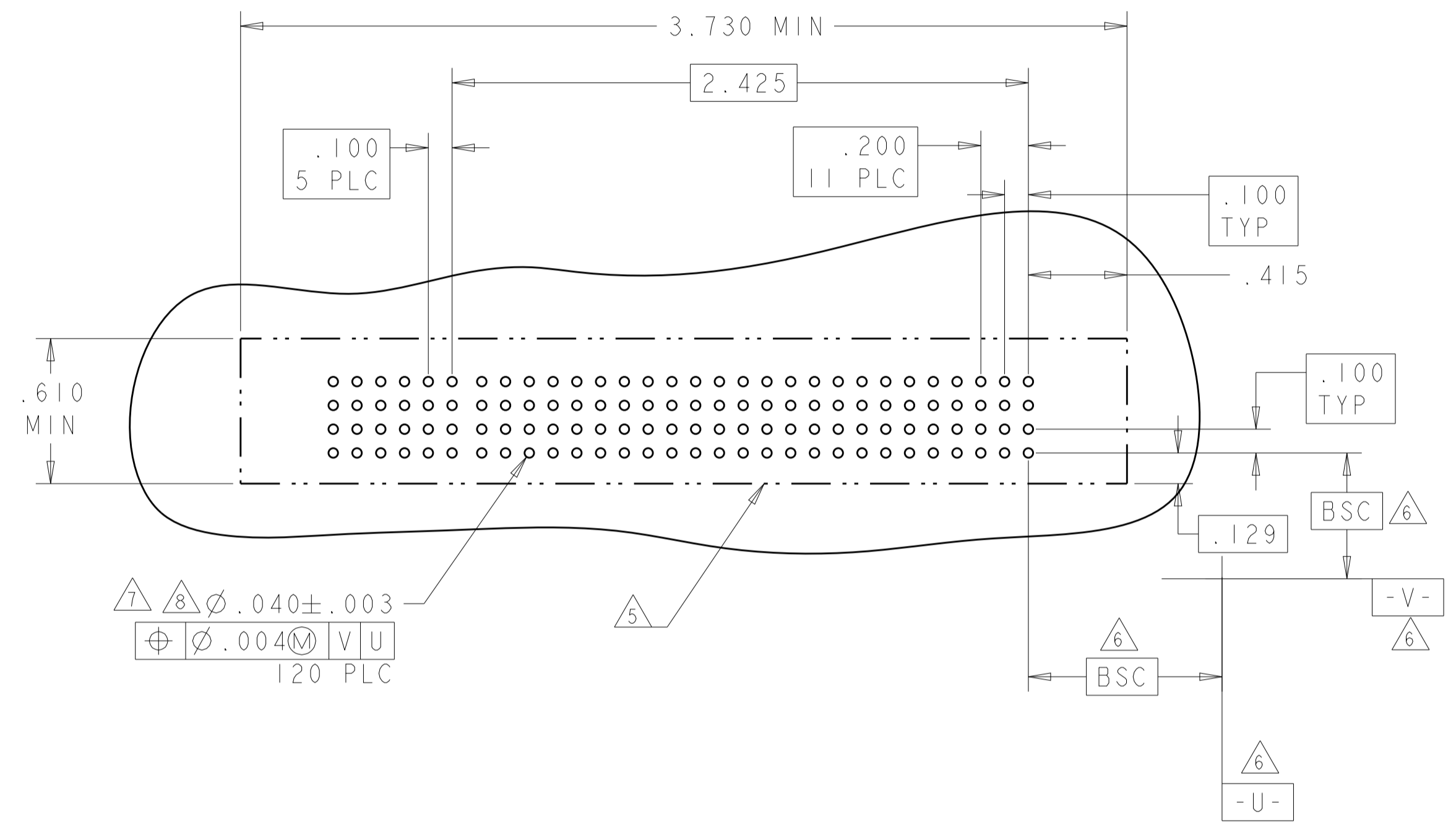
DIMENSIONS: INCHES	TOLERANCES UNLESS OTHERWISE SPECIFIED: 0 PLC ±. 2 PLC ±.01 3 PLC ±.005 4 PLC ±.0020 ANGLES ±.7°	FINISH	DMN: R. GRZYBOWSKI 28FEB95 CHK: M. PERCHERKE 28FEB05 APVD: M. PERCHERKE PRODUCT SPEC: 108-1973 APPLICATION SPEC: 114-13038 WEIGHT: - CUSTOMER DRAWING	NAME: VERTICAL RECEPTACLE ASSEMBLY WITH GUIDES MULTI-BEAM XL SIZE: A1 CAGE CODE: 100779 DRAWING NO: 6450542 SCALE: 4:1 SHEET: 7 OF 10 REV: H2
-----------------------	--	--------	---	---

4805 (3/11)

LOC	DIST	REVISIONS					
ES	00	P	LTN	DESCRIPTION	DATE	OWN	APVD
		-		SEE SHEET 1			

PART NUMBER	ROWS	SIGNAL						POWER											
		6	5	4	3	2	1	P12	P11	P10	P09	P08	P07	P06	P05	P04	P03	P02	P01
2-6450542-5	D C B A	AP	AP	AP	AP	AP	AP	GS	GS	GS	GS	GS	GS	GS	GS	GS	GS	GS	
		AP	AP	AP	AP	AP	AP	GS	GS	GS	GS	GS	GS	GS	GS	GS	GS	GS	
		AP	AP	AP	AP	AP	AP	GS	GS	GS	GS	GS	GS	GS	GS	GS	GS	GS	
12HDP + 24S																			

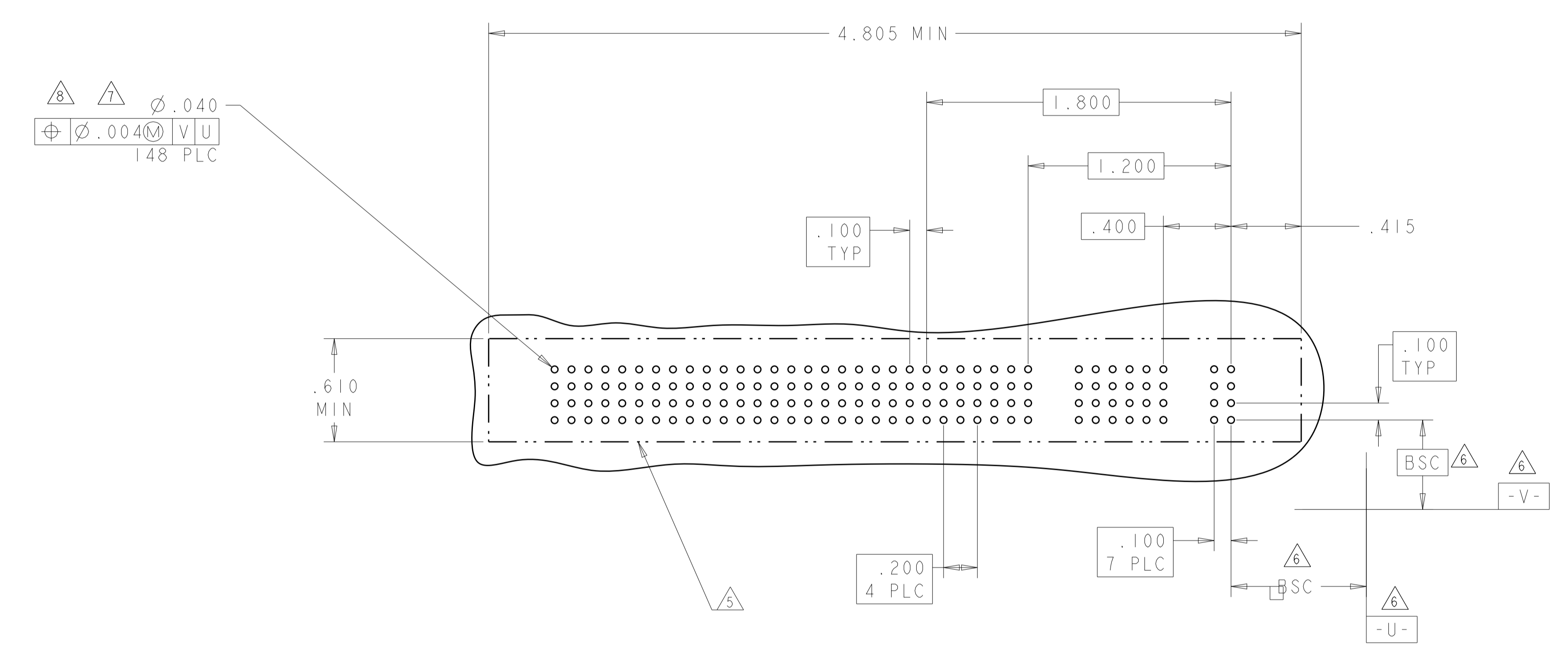
ASSY PART NUMBER	ROWS	SIGNAL												POWER					
		12	11	10	9	8	7	6	5	4	3	2	1	P2	P1				
1-6450542-4	D C B A	AP	AP	AP	AP	AP	AP	AP	AP	AP	AP	AP	AP	AP	AP	GS	GS		
		AP	AP	AP	AP	AP	AP	AP	AP	AP	AP	AP	AP	AP	AP	GS	GS		
		AP	AP	AP	AP	AP	AP	AP	AP	AP	AP	AP	AP	AP	AP	GS	GS		
2P + 48S																			



THIS DRAWING IS A CONTROLLED DOCUMENT.		OWN: R. GRZYBOWSKI 28FEB95	TE Connectivity
DIMENSIONS: INCHES		CHK: M. PERCHERKE 28FEB05	
TOLERANCES UNLESS OTHERWISE SPECIFIED:		APVD: M. PERCHERKE	NAME: VERTICAL RECEPTACLE ASSEMBLY WITH GUIDES MULTI-BEAM XL
0 PLC ±. 1 PLC ±. 2 PLC ±.01 3 PLC ±.005 4 PLC ±.0020 ANGLES ±.2°		PRODUCT SPEC: 108-1973	SIZE: A1
MATERIAL: -		APPLICATION SPEC: 114-13038	CAGE CODE: 6450542
FINISH: -		WEIGHT: -	RESTRICTED TO: -
CUSTOMER DRAWING		SCALE: 4:1	SHEET 8 OF 10 REV H2

LOC		DIST		REVISIONS			
ES	00	P	LTN	DESCRIPTION	DATE	DWN	APVD
		-		SEE SHEET 1			

PART NUMBER	ROWS	SIGNAL														POWER																	
		23	22	21	20	19	18	17	16	15	14	13	12	11	10	9	8	7	6	5	4	3	2	1	P9	P8	P7	P6	P5	P4	P3	P2	P1
2-6450542-7	D C B A	AP	AP	AP	AP	AP	AP	AP	AP	AP	AP	AP	AP	AP	AP	AP	AP	AP	AP				AP	AP	GS	GS	GS		GS	GS	GS		GP
		AP	AP	AP	AP	AP	AP	AP	AP	AP	AP	AP	AP	AP	AP	AP	AP	AP	AP				AP	AP									
		AP	AP	AP	AP	AP	AP	AP	AP	AP	AP	AP	AP	AP	AP	AP	AP	AP	AP				AP	AP									
		AP	AP	AP	AP	AP	AP	AP	AP	AP	AP	AP	AP	AP	AP	AP	AP	AP	AP				AP	AP									
9P + 92S																																	



THIS DRAWING IS A CONTROLLED DOCUMENT. DWN: R. GRZYBOWSKI 28FEB95
 CHK: M. PERCHERKE 28FEB05

STE TE Connectivity

NAME: VERTICAL RECEPTACLE ASSEMBLY WITH GUIDES MULTI-BEAM XL

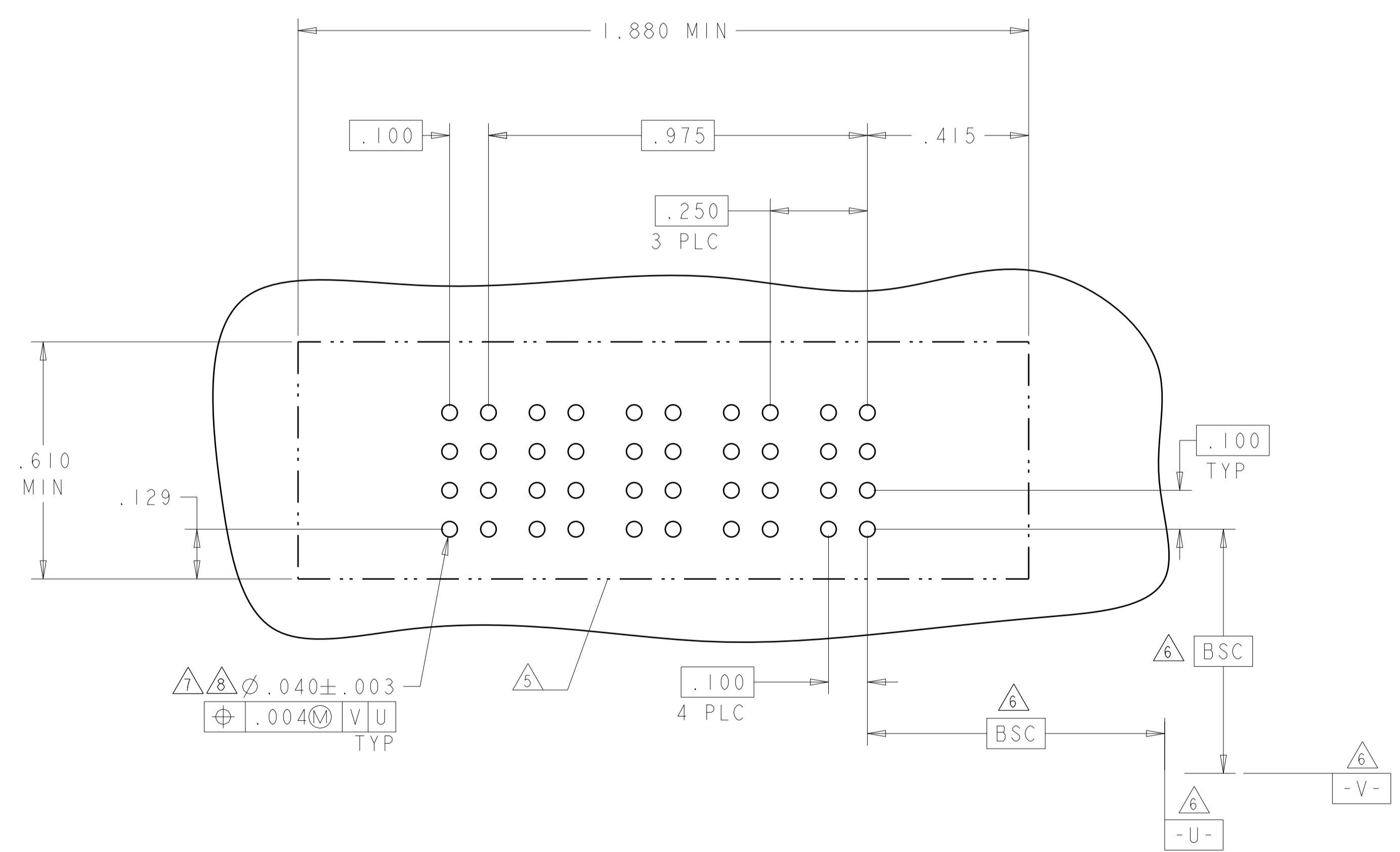
PRODUCT SPEC: 108-1973
 APPLICATION SPEC: 114-13038

SIZE: A100779 C=6450542
 SCALE: 4:1 SHEET 9 OF 10 REV: H2

MATERIAL: - FINISH: - WEIGHT: -
 CUSTOMER DRAWING

LOC	DIST	REVISIONS					
		P	LTN	DESCRIPTION	DATE	DMN	APVD
ES	00	-	-	SEE SHEET 1	-	-	-

PART NUMBER	ROWS	SIGNAL		POWER			
		2	1	P4	P3	P2	PI
2-6450542-9	D C B A	AP	AP	GP	GP	GP	GP
		AP	AP				
		AP	AP				
		AP	AP				
4P + 8S							



THIS DRAWING IS A CONTROLLED DOCUMENT.		DMN R. GRZYBOWSKI CHK M. PERCHERKE	28FEB95 28FEB05	STE TE Connectivity
DIMENSIONS: INCHES		APVD M. PERCHERKE	NAME VERTICAL RECEPTACLE ASSEMBLY WITH GUIDES MULTI-BEAM XL	
TOLERANCES UNLESS OTHERWISE SPECIFIED:		PRODUCT SPEC	108-1973	SIZE A100779C=6450542
0 PLC ± 1 PLC ±.01 2 PLC ±.01 3 PLC ±.005 4 PLC ±.0020 ANGLES ±2°		APPLICATION SPEC	114-13038	
MATERIAL	FINISH	WEIGHT	CUSTOMER DRAWING	SCALE 4:1 SHEET 10 OF 10 REV H2

Данный компонент на территории Российской Федерации

Вы можете приобрести в компании MosChip.

Для оперативного оформления запроса Вам необходимо перейти по данной ссылке:

<http://moschip.ru/get-element>

Вы можете разместить у нас заказ для любого Вашего проекта, будь то серийное производство или разработка единичного прибора.

В нашем ассортименте представлены ведущие мировые производители активных и пассивных электронных компонентов.

Нашей специализацией является поставка электронной компонентной базы двойного назначения, продукции таких производителей как XILINX, Intel (ex.ALTERA), Vicor, Microchip, Texas Instruments, Analog Devices, Mini-Circuits, Amphenol, Glenair.

Сотрудничество с глобальными дистрибьюторами электронных компонентов, предоставляет возможность заказывать и получать с международных складов практически любой перечень компонентов в оптимальные для Вас сроки.

На всех этапах разработки и производства наши партнеры могут получить квалифицированную поддержку опытных инженеров.

Система менеджмента качества компании отвечает требованиям в соответствии с ГОСТ Р ИСО 9001, ГОСТ РВ 0015-002 и ЭС РД 009

Офис по работе с юридическими лицами:

105318, г.Москва, ул.Щербаковская д.3, офис 1107, 1118, ДЦ «Щербаковский»

Телефон: +7 495 668-12-70 (многоканальный)

Факс: +7 495 668-12-70 (доб.304)

E-mail: info@moschip.ru

Skype отдела продаж:

moschip.ru

moschip.ru_4

moschip.ru_6

moschip.ru_9