

## Simple 90V, 25mA, Temperature Compensated, Constant Current, LED Driver IC

### Features

- ▶ 5.0V to 90V operating range ( $V_{A-B}$ )
- ▶ 25mA  $\pm$ 10% at 5-90V
- ▶ 0.01% / °C typical temperature coefficient
- ▶ No external components (two terminal device)
- ▶ Can be paralleled for higher current

### Applications

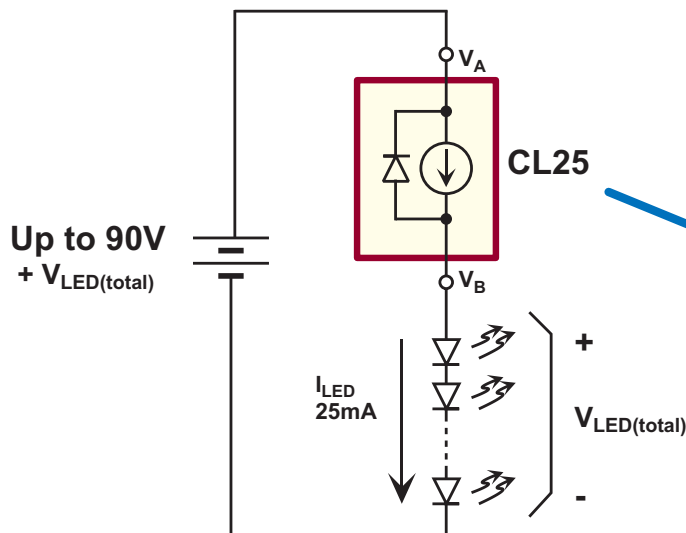
- ▶ LED channel lighting
- ▶ Industrial lamp indicators
- ▶ Accent lighting

### General Description

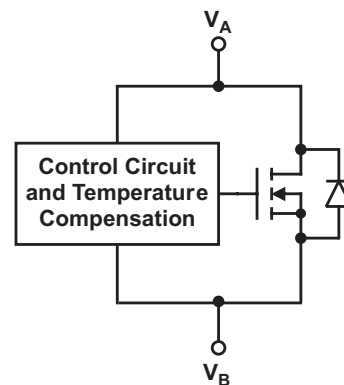
The Supertex CL25 is a high voltage, temperature compensated, constant current source. The device is trimmed to provide a constant current of 25mA  $\pm$  10% at an input voltage of 5-90V. No external components are required. The device can be used as a two terminal constant current source or constant current sink.

A typical application for the CL25 is to drive LEDs with a constant current of 25mA. They can also be used in parallel to provide higher currents such as 50mA, 75mA or 100mA. The device is available in TO-92 and TO-243AA (SOT-89) packaging.

### Typical Application Circuit



### Functional Circuit Diagram



## Ordering Information

Device	Package Options	
	TO-92	TO-243AA (SOT-89)
CL25	CL25N3-G	CL25N8-G

-G indicates package is RoHS compliant ('Green')



## Thermal Characteristics

Package	Power Dissipation @ $T_A = 25^\circ\text{C}$	$\theta_{JC}$ °C/W	$\theta_{JA}$ °C/W
TO-92	0.6W	125	170
TO-243AA (SOT-89)	1.3W*	15	78*

\* Mounted on FR4 board; 25mm x 25mm x 1.57mm

## Absolute Maximum Ratings

Parameter	Value
Operating voltage, $V_{A-B}$	100V
Operating junction temperature, $T_J$	-40°C to +125°C
Storage temperature, $T_S$	-55°C to +150°C

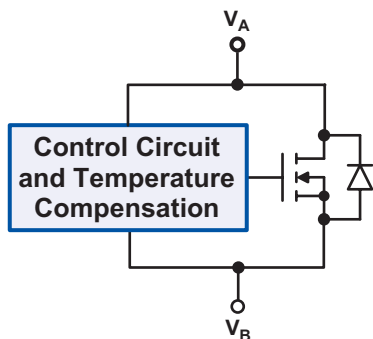
Absolute Maximum Ratings are those values beyond which damage to the device may occur. Functional operation under these conditions is not implied. Continuous operation of the device at the absolute rating level may affect device reliability. All voltages are referenced to device ground.

## Electrical Characteristics

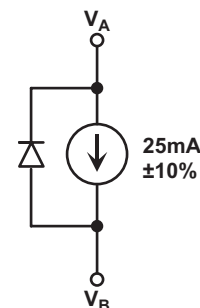
( $T_J=25^\circ\text{C}$  unless otherwise specified)

Symbol	Parameter	Min	Typ	Max	Units	Conditions
$V_{A-B}$	Operating voltage	5	-	90	V	---
$I_{A-B}$	Current regulation	22.5	25	27.5	mA	$V_{A-B} = 5\text{V} - 90\text{V}$
$\Delta I_{A-B}/\Delta T$	$I_{A-B}$ temperature coefficient	-	0.01	-	%/°C	$V_{A-B} = 45\text{V}$ , $T_J = -40^\circ\text{C}$ to $+100^\circ\text{C}$
$T_J$	Operating junction temperature	-40	-	125	°C	---
$R_{A-B}$	Dynamic resistance	-	300k	-	$\Omega$	---

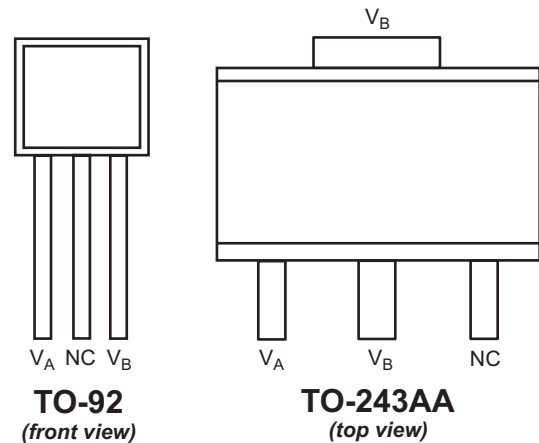
## Functional Circuit Diagram



## Equivalent Block Diagram



## Pin Configuration



NC = No Connect

### Temperature Characteristics



### Output Current vs Voltage



CL25 for Multiple LED Strings



CL25 for Higher Current

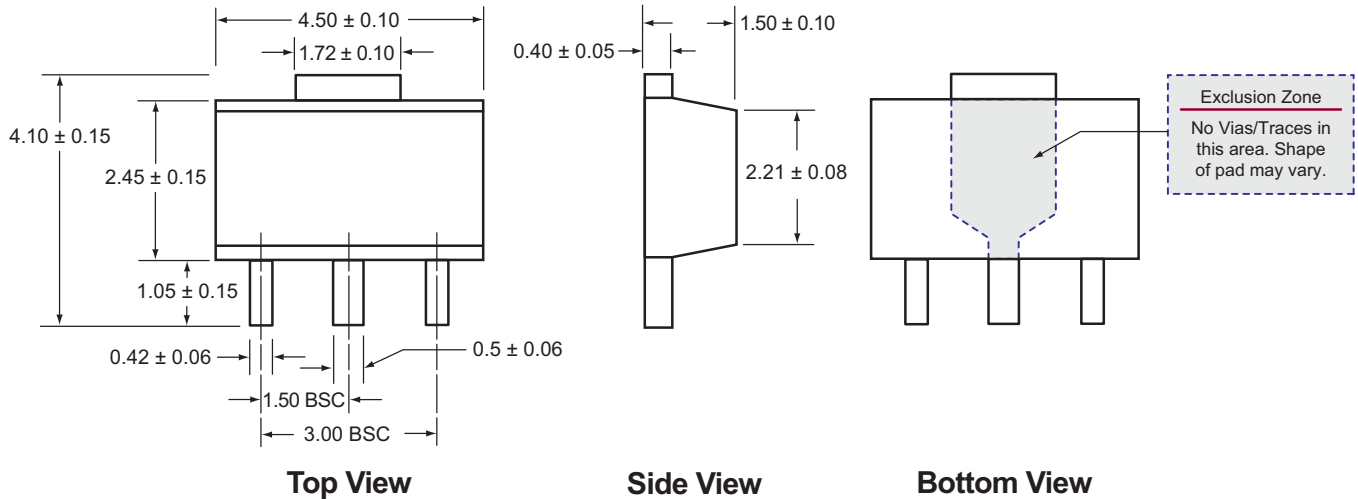


### 3-Lead TO-92 Package Outline (N3)



**Notes:**  
All dimensions are in millimeters; all angles in degrees.

### 3-Lead TO-243AA (SOT-89) Package Outline (N8)



**Notes:**  
All dimensions are in millimeters; all angles in degrees.

(The package drawings in this data sheet may not reflect the most current specifications. For the latest package outline information go to <http://www.supertex.com/packaging.html>.)

**Supertex inc.** does not recommend the use of its products in life support applications, and will not knowingly sell its products for use in such applications, unless it receives an adequate "product liability indemnification insurance agreement". **Supertex** does not assume responsibility for use of devices described and limits its liability to the replacement of the devices determined defective due to workmanship. No responsibility is assumed for possible omissions or inaccuracies. Circuitry and specifications are subject to change without notice. For the latest product specifications, refer to the **Supertex** website: <http://www.supertex.com>.

## Данный компонент на территории Российской Федерации

### Вы можете приобрести в компании MosChip.

Для оперативного оформления запроса Вам необходимо перейти по данной ссылке:

<http://moschip.ru/get-element>

Вы можете разместить у нас заказ для любого Вашего проекта, будь то серийное производство или разработка единичного прибора.

В нашем ассортименте представлены ведущие мировые производители активных и пассивных электронных компонентов.

Нашей специализацией является поставка электронной компонентной базы двойного назначения, продукции таких производителей как XILINX, Intel (ex.ALTERA), Vicor, Microchip, Texas Instruments, Analog Devices, Mini-Circuits, Amphenol, Glenair.

Сотрудничество с глобальными дистрибьюторами электронных компонентов, предоставляет возможность заказывать и получать с международных складов практически любой перечень компонентов в оптимальные для Вас сроки.

На всех этапах разработки и производства наши партнеры могут получить квалифицированную поддержку опытных инженеров.

Система менеджмента качества компании отвечает требованиям в соответствии с ГОСТ Р ИСО 9001, ГОСТ РВ 0015-002 и ЭС РД 009

### Офис по работе с юридическими лицами:

105318, г.Москва, ул.Щербаковская д.3, офис 1107, 1118, ДЦ «Щербаковский»

Телефон: +7 495 668-12-70 (многоканальный)

Факс: +7 495 668-12-70 (доб.304)

E-mail: [info@moschip.ru](mailto:info@moschip.ru)

Skype отдела продаж:

moschip.ru

moschip.ru\_4

moschip.ru\_6

moschip.ru\_9