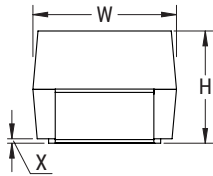


Sample Kit Contents

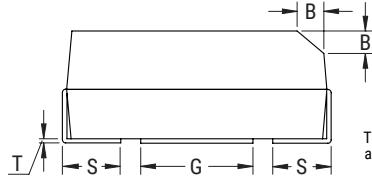
| KEMET Part Number | Size | Capacitance | Tolerance | Voltage | Temperature | Dielectric Type | Quantity |
|--------------------|-----------|-------------|-----------|---------|-------------|-----------------|----------|
| T500X227K010AG6110 | X/7343-43 | 220 µF | 10% | 10 | 200°C | MnO2 | 3 |
| T502D106K025AG6110 | D/7343-43 | 10 µF | 10% | 25 | 230°C | MnO2 | 3 |
| C1206H104J3GAC | 1206/3216 | 0.10 µF | 5% | 25 | 200°C | NP0 | 20 |
| C1210H104J1GAC | 1210/3225 | 0.10 µF | 5% | 100 | 200°C | NP0 | 20 |
| C0603H103J3GAC | 0603/1608 | 0.01 µF | 5% | 25 | 200°C | NP0 | 20 |
| C2220H333JCGAC | 2220/5650 | 0.033 µF | 5% | 500 | 200°C | NP0 | 20 |
| C0402H152J3GAC | 0402/1005 | 0.0015 µF | 5% | 25 | 200°C | NP0 | 20 |
| C0603R104K5RAC | 0603/1608 | 0.10 µF | 10% | 50 | 175°C | X7R | 5 |
| C1812R335K3RAC | 1812/4532 | 3.3 µF | 10% | 25 | 175°C | X7R | 20 |
| C1210R105K5RAC | 1210/3225 | 1 µF | 10% | 50 | 175°C | X7R | 5 |
| C062H105K5R5GA | C062 | 1 µF | 10% | 50 | 200°C | X7R | 5 |
| C052H104K5G5GA | C052 | 0.10 µF | 10% | 50 | 200°C | NP0 | 5 |
| C052H103K1G5GA | C052 | 0.01 µF | 10% | 100 | 200°C | NP0 | 5 |
| C1210H104J5GAF | 1210/3225 | 0.10 µF | 5% | 50 | 200°C | NP0 | 3 |
| C1812H224J5GAF | 1812/4532 | 0.22 µF | 5% | 50 | 200°C | NP0 | 3 |
| C0603H103J3GAF | 0603/1608 | 0.01 µF | 5% | 25 | 200°C | NP0 | 20 |
| C0805H103J5GAF | 0805/2012 | 0.01 µF | 5% | 50 | 200°C | NP0 | 20 |
| F211FM226K050C | F211 | 22 µF | 10% | 50 | 150°C | Metallized PPS | 3 |

T500 Dimensions – Millimeters (Inches)

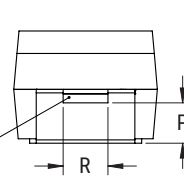
CATHODE (-) END VIEW



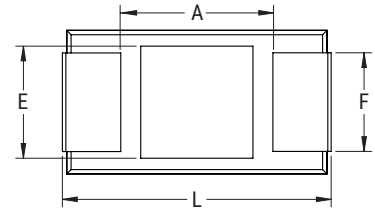
SIDE VIEW



ANODE (+) END VIEW



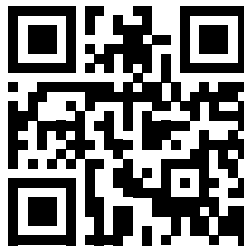
BOTTOM VIEW



Termination cutout at KEMET's option, either end

| Case Size | | Component | | | | | | | | | | | | |
|-----------|---------|--------------------------|--------------------------|--------------------------|--------------------|--------------------|-------------------------|----------------------------|----------------|----------------|-----------------|----------------|----------------|----------------|
| KEMET | EIA | L | W | H | F ±0.1 ±(0.004) | S ±0.3 ±(0.012) | B ±0.15 (Ref) ±0.006 | X (Ref) | P (Ref) | R (Ref) | T (Ref) | A (Min) | G (Ref) | E (Ref) |
| X | 7343-43 | 7.3±0.3 (0.287±0.012) | 4.3±0.3 (0.169±0.012) | 4.0±0.3 (0.157±0.012) | 2.4 (0.095) | 1.3 (0.051) | 0.5 (0.020) | 0.10±0.10 (0.004±0.004) | 1.7 (0.067) | 1.0 (0.039) | 0.13 (0.005) | 3.8 (0.150) | 3.5 (0.138) | 3.5 (0.138) |

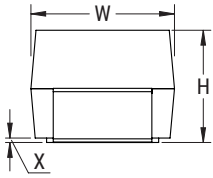
Notes: (Ref) – Dimensions provided for reference only.



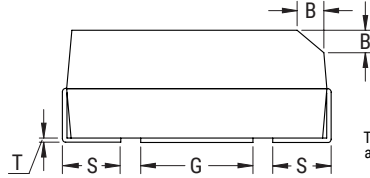
www.kemet.com/T500

T502 Dimensions – Millimeters (Inches)

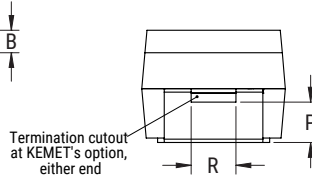
CATHODE (-) END VIEW



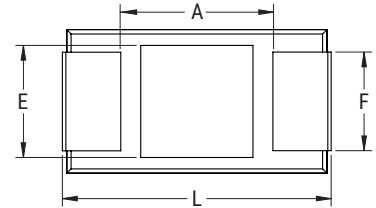
SIDE VIEW



ANODE (+) END VIEW



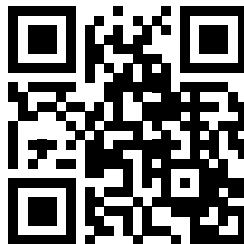
BOTTOM VIEW



| Case Size | | Component | | | | | | | | | | | Total Weight |
|-----------|---------|--------------------------|--------------------------|--------------------------|--------------------------|---------------------------------------|---------------------------|----------------------------|----------------|----------------|-----------------|----------------|--------------|
| KEMET | EIA | L | W | H | F | S | B (Ref) | X (Ref) | P (Ref) | R (Ref) | T (Ref) | A (Min) | (mg) |
| B | 3528-21 | 3.5±0.2 (0.138±0.008) | 2.8±0.2 (0.110±0.008) | 1.9±0.2 (0.075±0.008) | 2.2±0.1 (0.087±0.004) | 0.80±0.1/-0.3 (0.032±0.004/-0.011) | 0.4±0.15 (0.016±0.006) | 0.10±0.10 (0.004±0.004) | 0.5 (0.020) | 1.0 (0.039) | 0.13 (0.005) | 1.9 (0.075) | 63 |
| D | 7343-31 | 7.3±0.3 (0.287±0.012) | 4.3±0.3 (0.169±0.012) | 2.8±0.3 (0.110±0.012) | 2.4±0.1 (0.094±0.004) | 1.3±0.3 (0.051±0.012) | 0.5±0.15 (0.020±0.006) | 0.10±0.10 (0.004±0.004) | 0.9 (0.035) | 1.0 (0.039) | 0.13 (0.005) | 3.8 (0.150) | 292 |

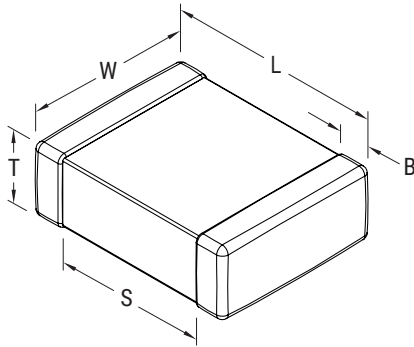
Notes: (Ref) – Dimensions provided for reference only.

These weights are provided as reference. If exact weights are needed, please contact your KEMET Sales Representative



www.kemet.com/T502

COG High Temperature – Millimeters (Inches)

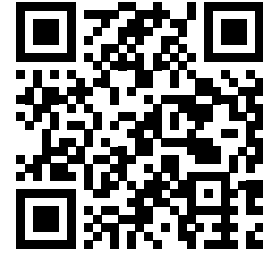
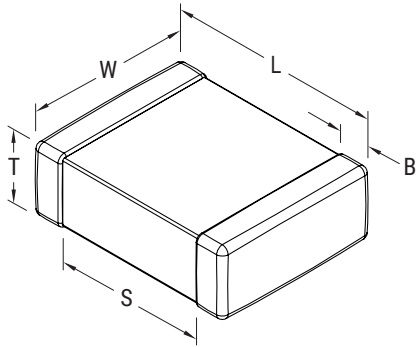


| EIA Size Code | Metric Size Code | L Length | W Width | T Thickness | B Bandwidth | S Separation Minimum | Mounting Technique |
|---------------|------------------|-------------------------------|-------------------------------|---------------------------|-------------------------------|----------------------|------------------------------|
| 0402 | 1005 | 1.00 (0.040) ±0.05 (0.002) | 0.50 (0.020) ±0.05 (0.002) | See Table 2 for Thickness | 0.30 (0.012) ±0.10 (0.004) | 0.30 (0.012) | Solder Reflow Only |
| 0603 | 1608 | 1.60 (0.063) ±0.15 (0.006) | 0.80 (0.032) ±0.15 (0.006) | | 0.35 (0.014) ±0.15 (0.006) | 0.70 (0.028) | Solder Wave or Solder Reflow |
| 0805 | 2012 | 2.00 (0.079) ±0.20 (0.008) | 1.25 (0.049) ±0.20 (0.008) | | 0.50 (0.02) ±0.25 (0.010) | 0.75 (0.030) | |
| 1206 | 3216 | 3.20 (0.126) ±0.20 (0.008) | 1.60 (0.063) ±0.20 (0.008) | | 0.50 (0.02) ±0.25 (0.010) | N/A | Solder Reflow Only |
| 1210 | 3225 | 3.20 (0.126) ±0.20 (0.008) | 2.50 (0.098) ±0.20 (0.008) | | 0.50 (0.02) ±0.25 (0.010) | | |
| 1812 | 4532 | 4.50 (0.177) ±0.30 (0.012) | 3.20 (0.126) ±0.30 (0.012) | | 0.60 (0.024) ±0.35 (0.014) | | |
| 2220 | 5650 | 5.70 (0.224) ±0.40 (0.016) | 5.00 (0.197) ±0.40 (0.016) | | 0.60 (0.024) ±0.35 (0.014) | | |



www.kemet.com/HT-COG

X7R High Temperature



www.kemet.com/175-X7R

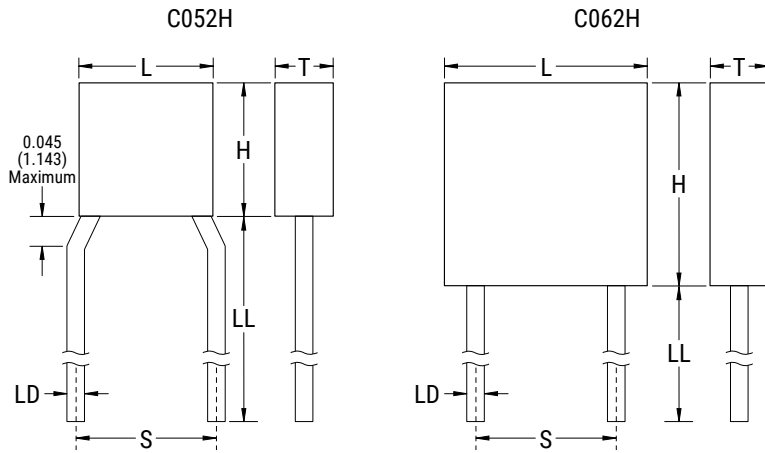
Dimensions – Millimeters (Inches) – Standard Termination

| EIA Size Code | Metric Size Code | L Length | W Width | T Thickness | B Bandwidth | S Separation Minimum | Mounting Technique |
|---------------|------------------|-------------------------------|-------------------------------|------------------------------|-------------------------------|----------------------|------------------------------------|
| 0402 | 1005 | 1.00 (0.040) ±0.05 (0.002) | 0.50 (0.020) ±0.05 (0.002) | See Table 2 for Thickness | 0.30 (0.012) ±0.10 (0.004) | 0.30 (0.012) | Solder Reflow Only |
| 0603 | 1608 | 1.60 (0.063) ±0.15 (0.006) | 0.80 (0.032) ±0.15 (0.006) | | 0.35 (0.014) ±0.15 (0.006) | 0.70 (0.028) | Solder Wave or Solder Reflow |
| 0805 | 2012 | 2.00 (0.079) ±0.20 (0.008) | 1.25 (0.049) ±0.20 (0.008) | | 0.50 (0.02) ±0.25 (0.010) | 0.75 (0.030) | |
| 1206 | 3216 | 3.20 (0.126) ±0.20 (0.008) | 1.60 (0.063) ±0.20 (0.008) | | 0.50 (0.02) ±0.25 (0.010) | N/A | Solder Reflow Only |
| 1210 | 3225 | 3.20 (0.126) ±0.20 (0.008) | 2.50 (0.098) ±0.20 (0.008) | | 0.50 (0.02) ±0.25 (0.010) | | |
| 1812 | 4532 | 4.50 (0.177) ±0.30 (0.012) | 3.20 (0.126) ±0.30 (0.012) | | 0.60 (0.024) ±0.35 (0.014) | | |

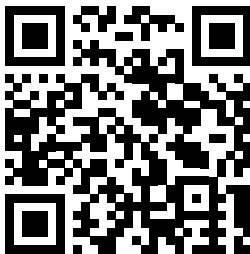
Dimensions – Millimeters (Inches) – Flexible Termination

| EIA Size Code | Metric Size Code | L Length | W Width | T Thickness | B Bandwidth | S Separation Minimum | Mounting Technique |
|---------------|------------------|-------------------------------|-------------------------------|------------------------------|-------------------------------|----------------------|------------------------------------|
| 0603 | 1608 | 1.60 (0.063) ±0.17 (0.007) | 0.80 (0.032) ±0.15 (0.006) | See Table 2 for Thickness | 0.45 (0.018) ±0.15 (0.006) | 0.58 (0.023) | Solder Wave or Solder Reflow |
| 0805 | 2012 | 2.00 (0.079) ±0.30 (0.012) | 1.25 (0.049) ±0.30 (0.012) | | 0.50 (0.02) ±0.25 (0.010) | 0.75 (0.030) | |
| 1206 | 3216 | 3.30 (0.130) ±0.40 (0.016) | 1.60 (0.063) ±0.35 (0.013) | | 0.60 (0.024) ±0.25 (0.010) | N/A | Solder Reflow Only |
| 1210 | 3225 | 3.30 (0.130) ±0.40 (0.016) | 2.60 (0.102) ±0.30 (0.012) | | 0.60 (0.024) ±0.25 (0.010) | | |
| 1812 | 4532 | 4.50 (0.178) ±0.40 (0.016) | 3.20 (0.126) ±0.30 (0.012) | | 0.70 (0.028) ±0.35 (0.014) | | |

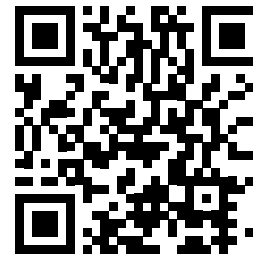
High Temperature Radial Molded X7R and C0G – Millimeters (Inches)



| Series | S Lead Spacing | L Length | H Height | T Thickness | LD Lead Diameter | LL Lead Length Minimum |
|--------|---------------------------|---------------------------|---------------------------|--------------------------|--|------------------------------|
| C052H | 5.08±0.38 (0.20±0.015) | 4.83±0.25 (0.19±0.01) | 4.83±0.25 (0.19±0.01) | 2.29±0.25 (0.09±0.01) | 0.635+0.102/-0.051 (0.025+0.004/-0.002) | 31.75 (1.25) |
| C062H | | 7.37±0.25 (0.29 ±0.01) | 7.37±0.25 (0.29 ±0.01) | 2.29±0.25 (0.09±0.01) | | |

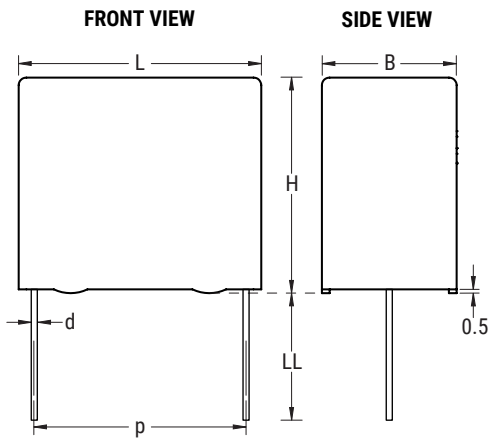


www.kemet.com/HT200C-Radial-X7R

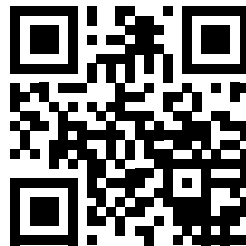


www.kemet.com/HT200C-Radial-C0G

F211 (SMR) – Millimeters



| KEMET Size Code | Legacy Size Code | p | | B | | H | | L | | d | |
|--------------------|---------------------|---------|-----------|---------|-----------|---------|-----------|---------|-----------|---------|-----------|
| | | Nominal | Tolerance | Nominal | Tolerance | Nominal | Tolerance | Nominal | Tolerance | Nominal | Tolerance |
| FM | F13 | 27.5 | +/-0.4 | 14.5 | Maximum | 24.5 | Maximum | 31.5 | Maximum | 0.8 | +/-0.05 |



www.kemet.com/SMR

Данный компонент на территории Российской Федерации

Вы можете приобрести в компании MosChip.

Для оперативного оформления запроса Вам необходимо перейти по данной ссылке:

<http://moschip.ru/get-element>

Вы можете разместить у нас заказ для любого Вашего проекта, будь то серийное производство или разработка единичного прибора.

В нашем ассортименте представлены ведущие мировые производители активных и пассивных электронных компонентов.

Нашей специализацией является поставка электронной компонентной базы двойного назначения, продукции таких производителей как XILINX, Intel (ex.ALTERA), Vicor, Microchip, Texas Instruments, Analog Devices, Mini-Circuits, Amphenol, Glenair.

Сотрудничество с глобальными дистрибьюторами электронных компонентов, предоставляет возможность заказывать и получать с международных складов практически любой перечень компонентов в оптимальные для Вас сроки.

На всех этапах разработки и производства наши партнеры могут получить квалифицированную поддержку опытных инженеров.

Система менеджмента качества компании отвечает требованиям в соответствии с ГОСТ Р ИСО 9001, ГОСТ РВ 0015-002 и ЭС РД 009

Офис по работе с юридическими лицами:

105318, г.Москва, ул.Щербаковская д.3, офис 1107, 1118, ДЦ «Щербаковский»

Телефон: +7 495 668-12-70 (многоканальный)

Факс: +7 495 668-12-70 (доб.304)

E-mail: info@moschip.ru

Skype отдела продаж:

moschip.ru

moschip.ru_4

moschip.ru_6

moschip.ru_9