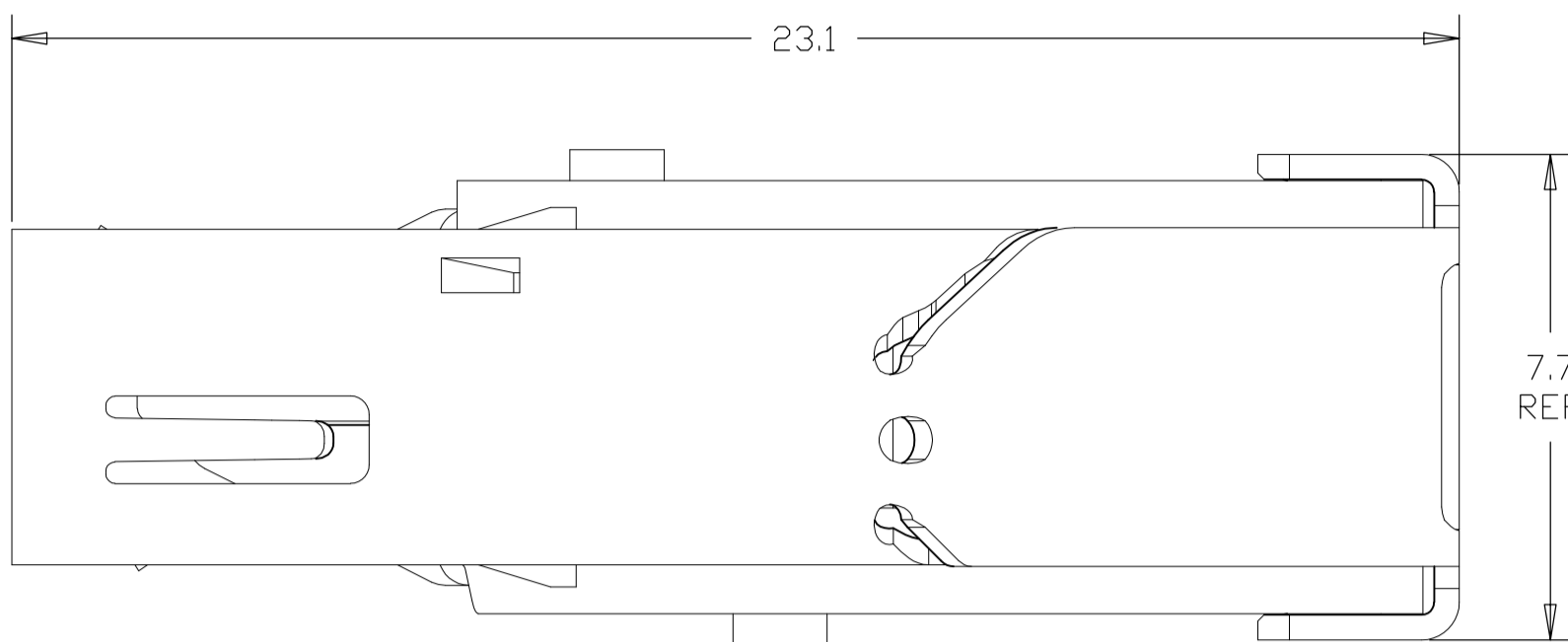
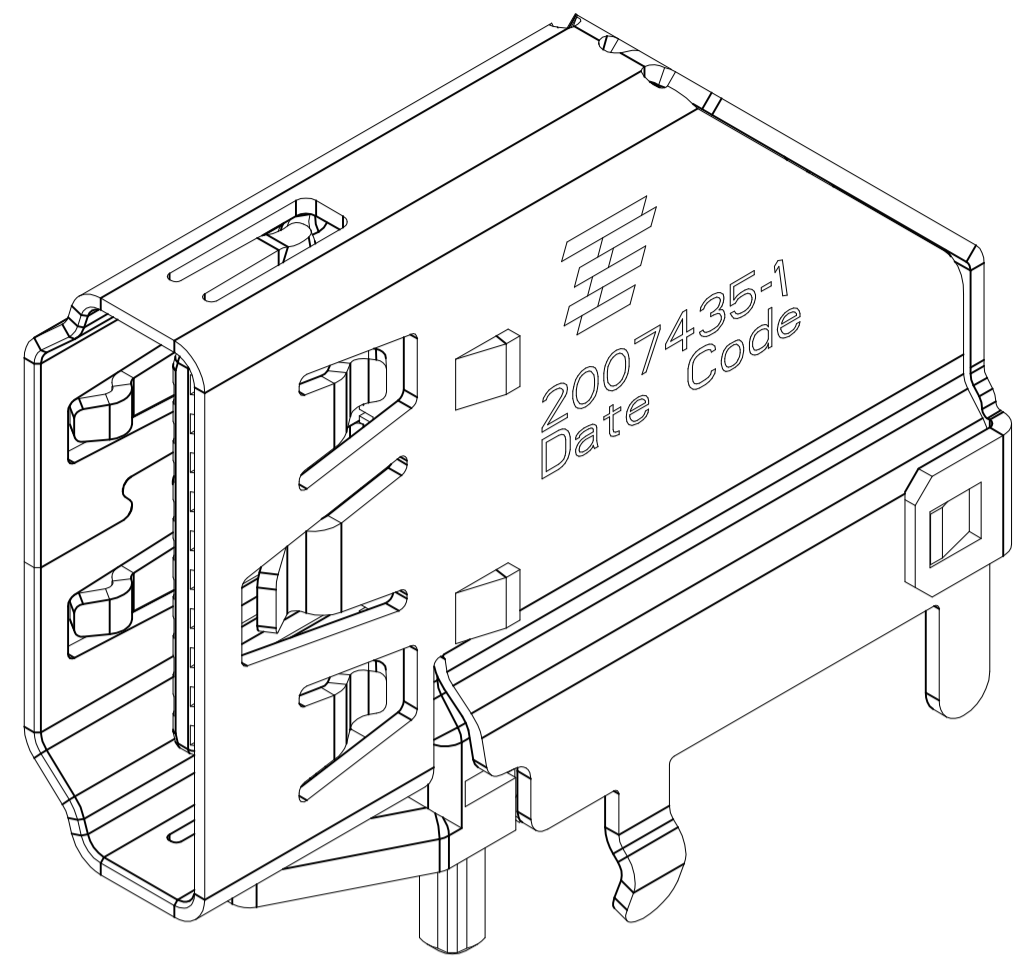
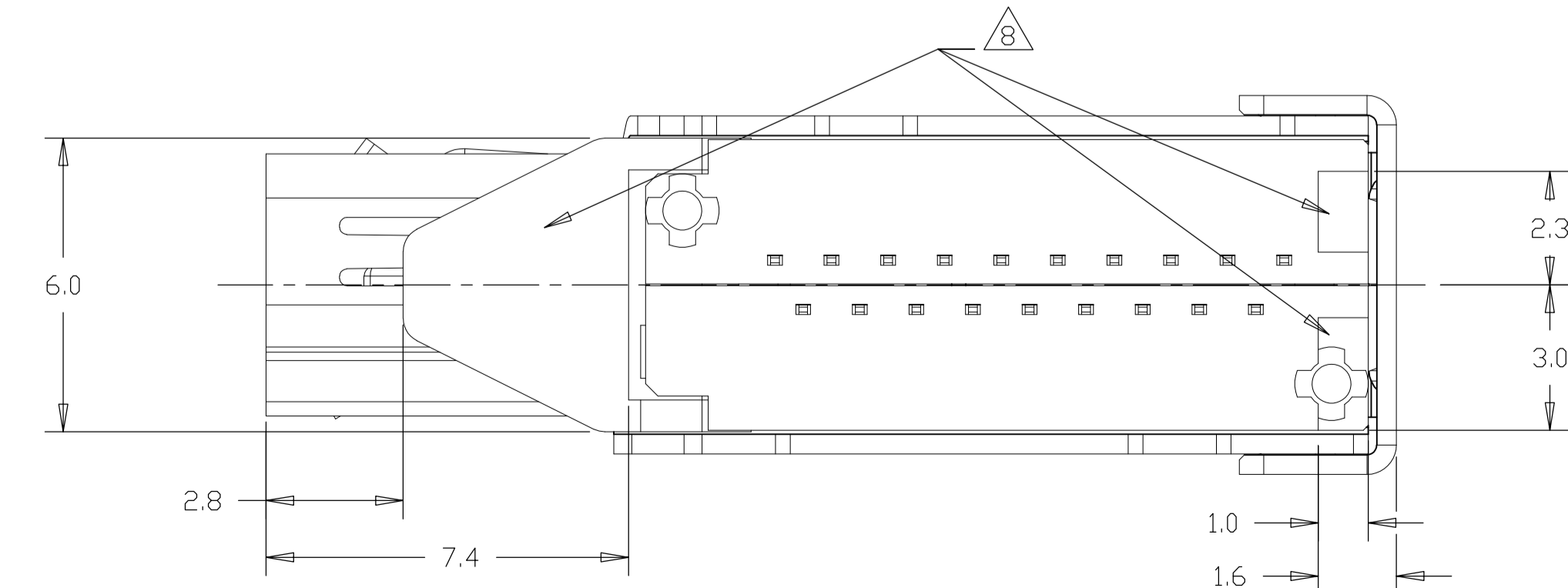
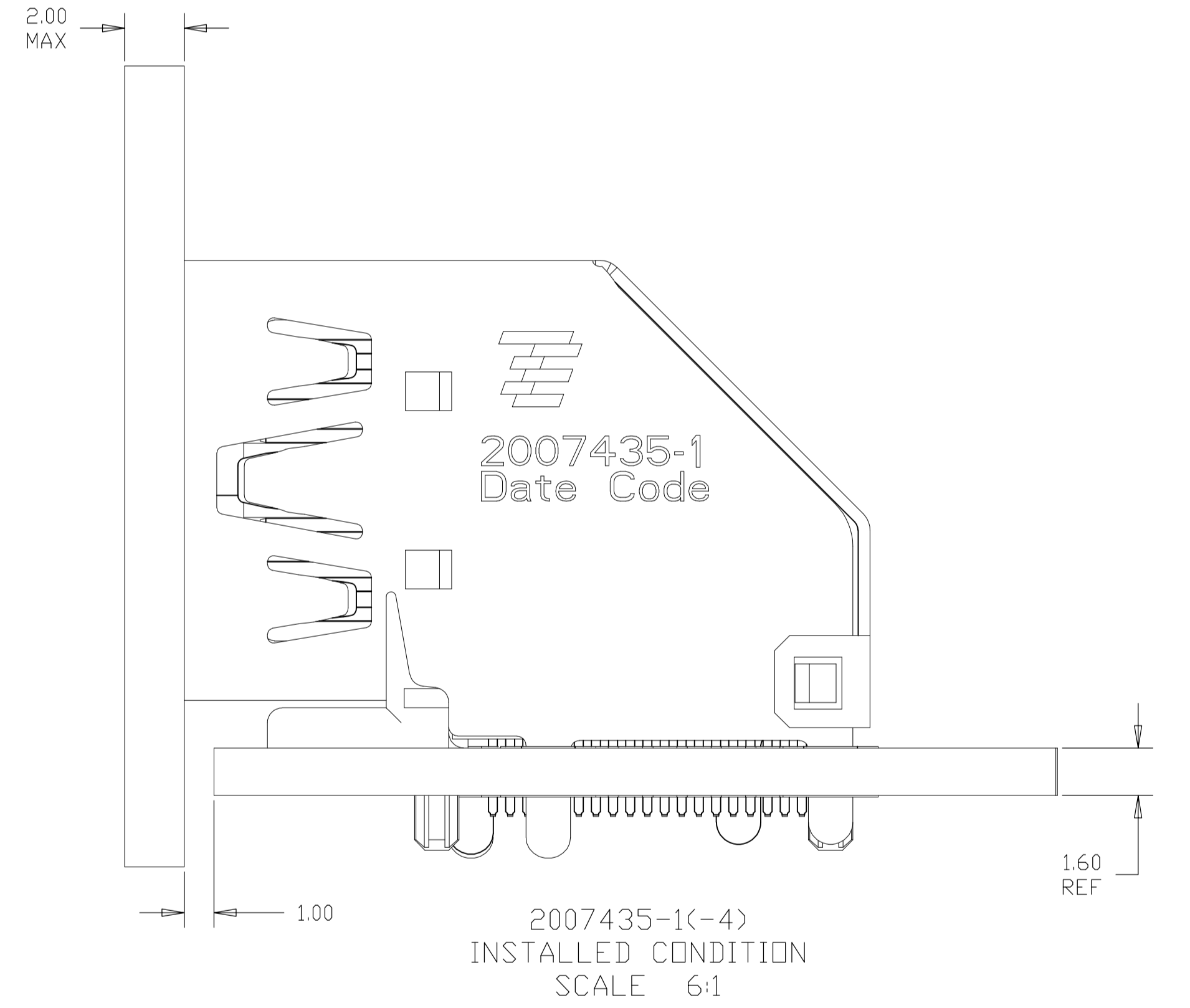
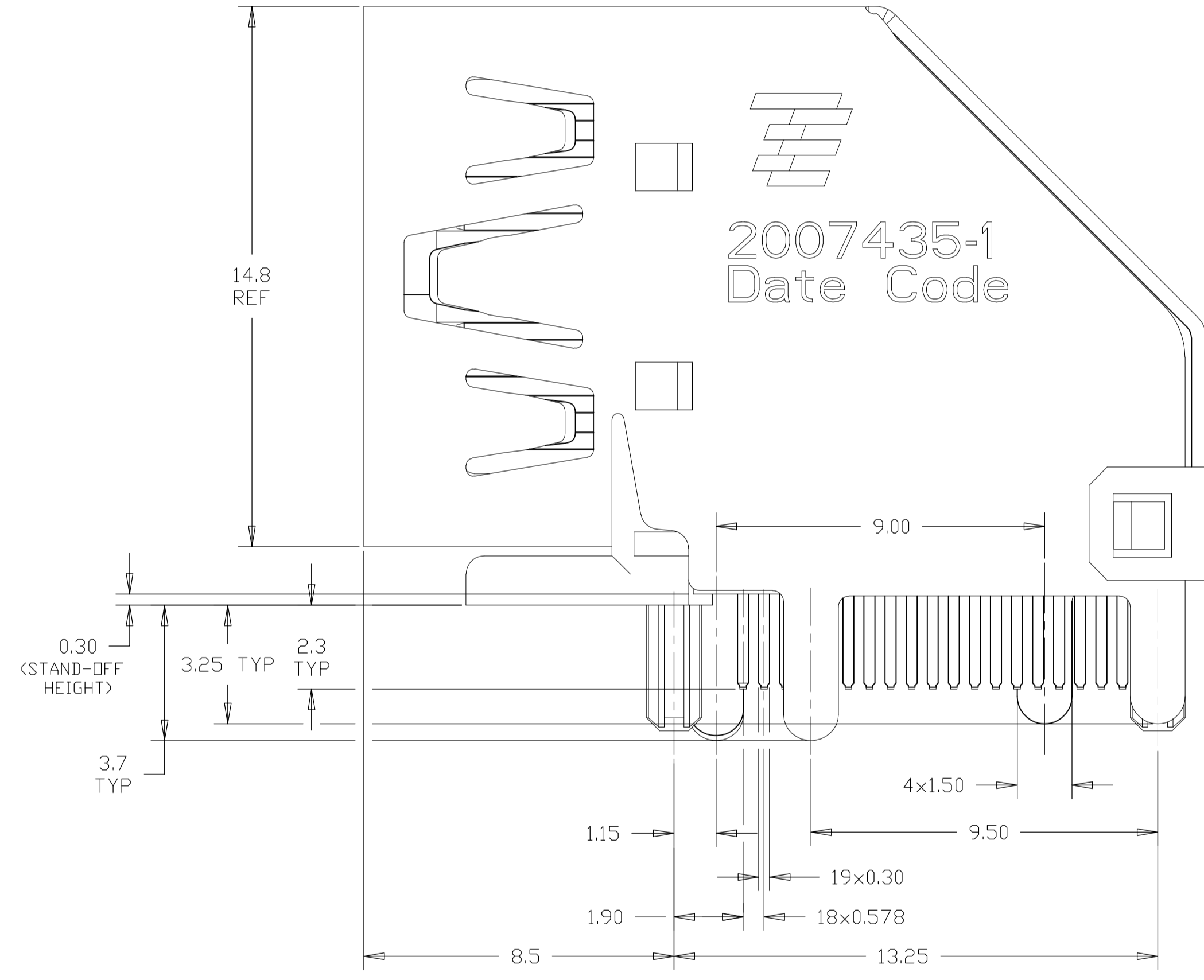
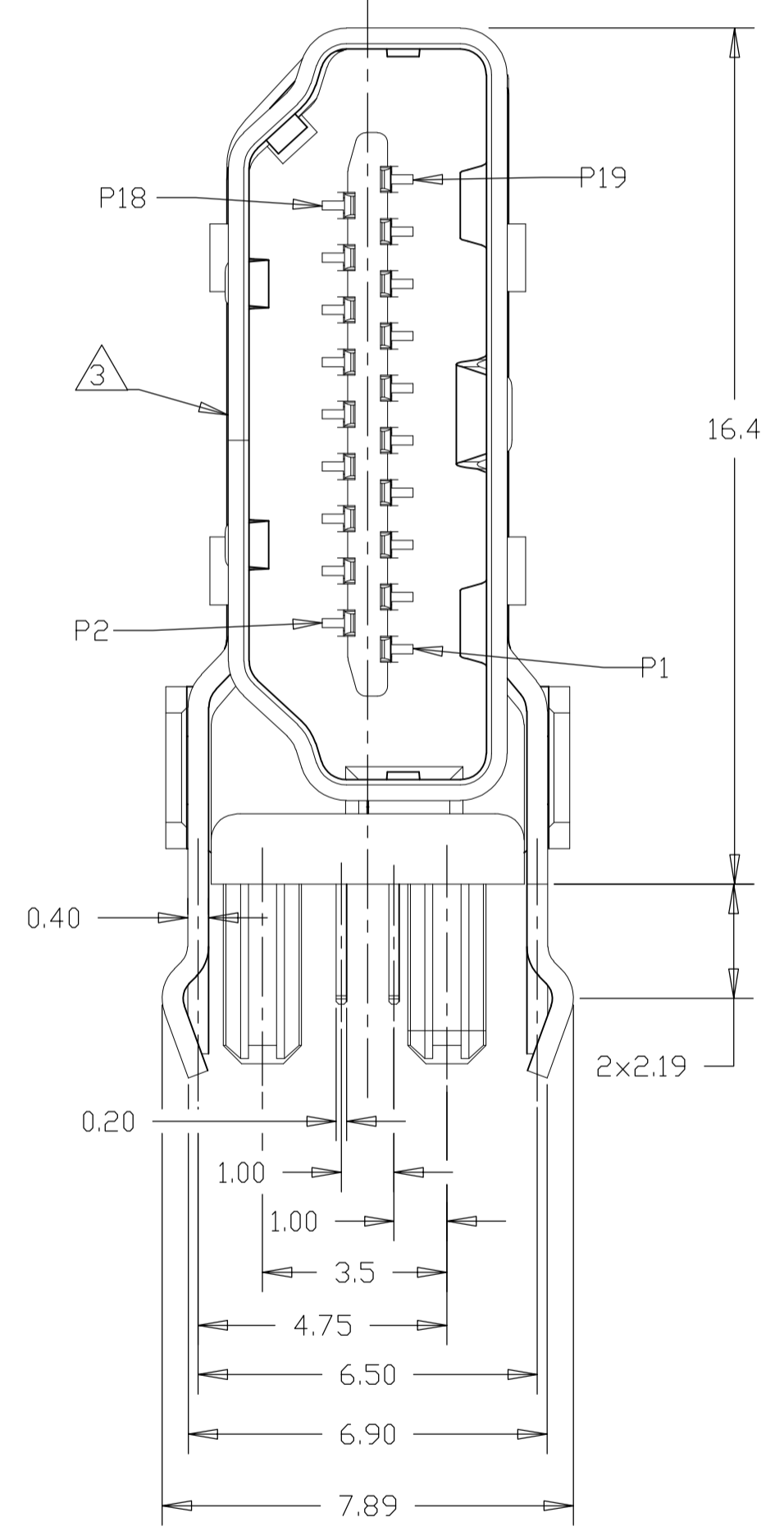


REVISONS		DATE	DNW	APVD
P	LTR	DESCRIPTION		
C		RELEASE PER ECR-10-024107	8/31/2010	FL SY
C1		RELEASE PER ECR-11-016951	7/20/2011	JJ SY
D		RELEASED PER ECR-12-000920	11/08/2011	JJ SY



- 1 MATERIALS:**
 HOUSING: HIGH TEMP THERMOPLASTIC, UL94V-0, BLACK, PBT.
 CONTACTS: COPPER ALLOY.
 SHIELD: STAINLESS STEEL.
- 2 FINISH:**
 CONTACTS:
 MATING AREA: CONFORMS TO HDMI SPECIFICATION VERSION 1.3a, TABLE 4-6 AND 4-7 (ELECTRICAL AND ENVIRONMENTAL PERFORMANCE), BASED ON EIA/ECA - 364-1000.01A (CONTROLLED ENVIRONMENT APPLICATIONS).
 SOLDER TAILS: TIN OVER NICKEL.
- 3 INTERFACE DIMENSIONS PER HDMI SPECIFICATION VERSION 1.3a.**
- 4 WAVE SOLDER COMPATIBLE PER 109-202. CONDITION B. NO CLEAN FLUX IS RECOMMENDED.**
- 5 THIS DIMENSION HAS AN ADDITIONAL 1.0 CLEARANCE OVER HDMI V1.3a SPECIFICATION MAXIMUM CABLE TYPE A PLUG HEIGHT.**
- 6 REMOVE CAP IS RECOMMENDED AFTER WAVE SOLDER.**
- 7 MATERIALS:**
 HOUSING: HIGH TEMP THERMOPLASTIC, UL94V-0, BLACK, LCP.
 CONTACTS: COPPER ALLOY.
 SHIELD: STAINLESS STEEL.
- 8 STAND-OFF AREA.**

2007435-1(-4)
 SCALE 6:1



EMBOSS TAPE	WITHOUT POLYIMIDE TAPE	WITHOUT KINK AND WITH CAP	0.38 μm	△	2.00	2007435-7
EMBOSS TAPE	WITH POLYIMIDE TAPE	WITHOUT KINK AND WITHOUT CAP	0.38 μm	△	2.00	2007435-6
TRAY	WITHOUT POLYIMIDE TAPE	WITH KINK AND WITH CAP	0.38 μm	△	1.60	2007435-5
		WITH KINK AND WITHOUT CAP	0.76 μm	△	1.60	2007435-4
		WITHOUT KINK AND WITH CAP	0.38 μm	△	1.60	2007435-3
		WITHOUT KINK AND WITHOUT CAP	0.38 μm	△	2.40	2007435-2
PACKAGE		WITH KINK AND WITHOUT CAP	0.38 μm	△	1.60	2007435-1
PACKAGE	REMARK	GOLD PLATING ON CONTACT AREA	MATERIAL	PCB THICKNESS	PART NO.	

THIS DRAWING IS A CONTROLLED DOCUMENT.

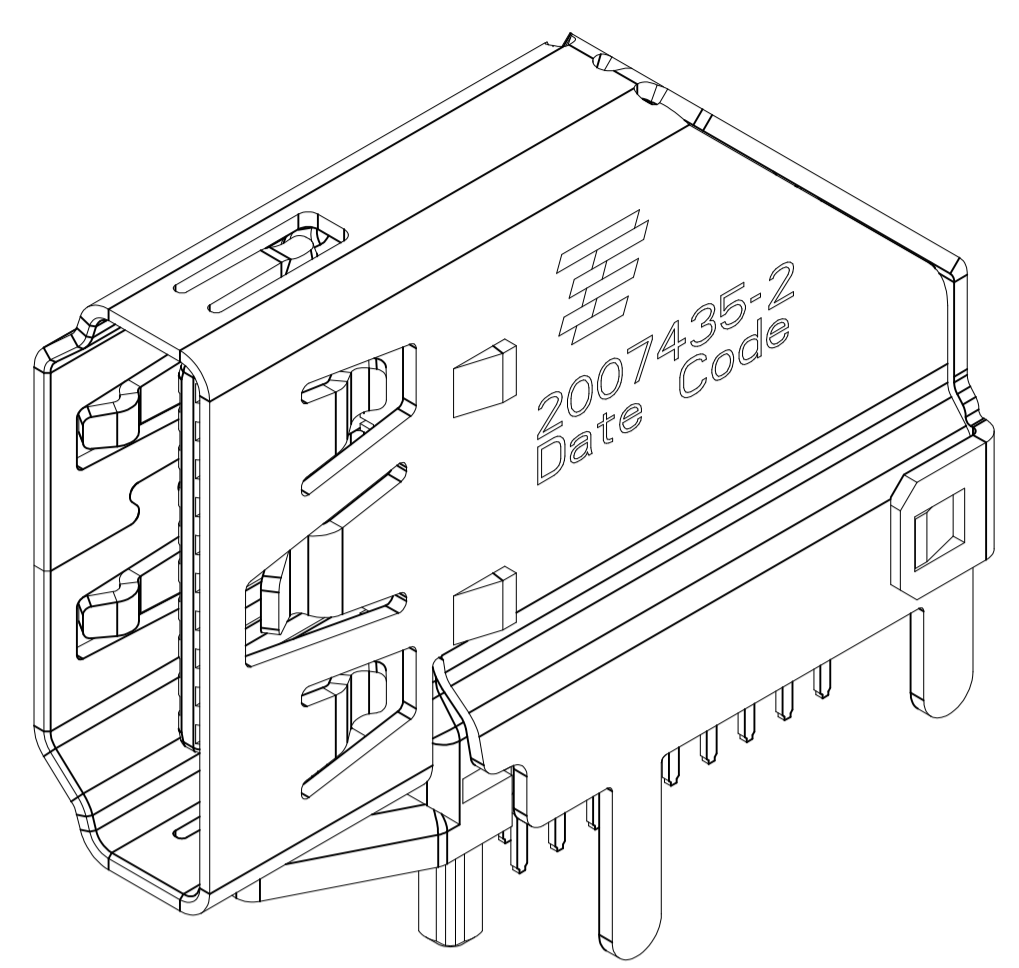
DIMENSIONS: mm
 TOLERANCES UNLESS OTHERWISE SPECIFIED:
 0. PLC ± -
 1. PLC ± 0.3
 2. PLC ± 0.25
 3. PLC ± 0.100
 4. PLC ± 0.1000
 ANGLES ± 5

MATERIAL: SEE TABLE
 FINISH: △2

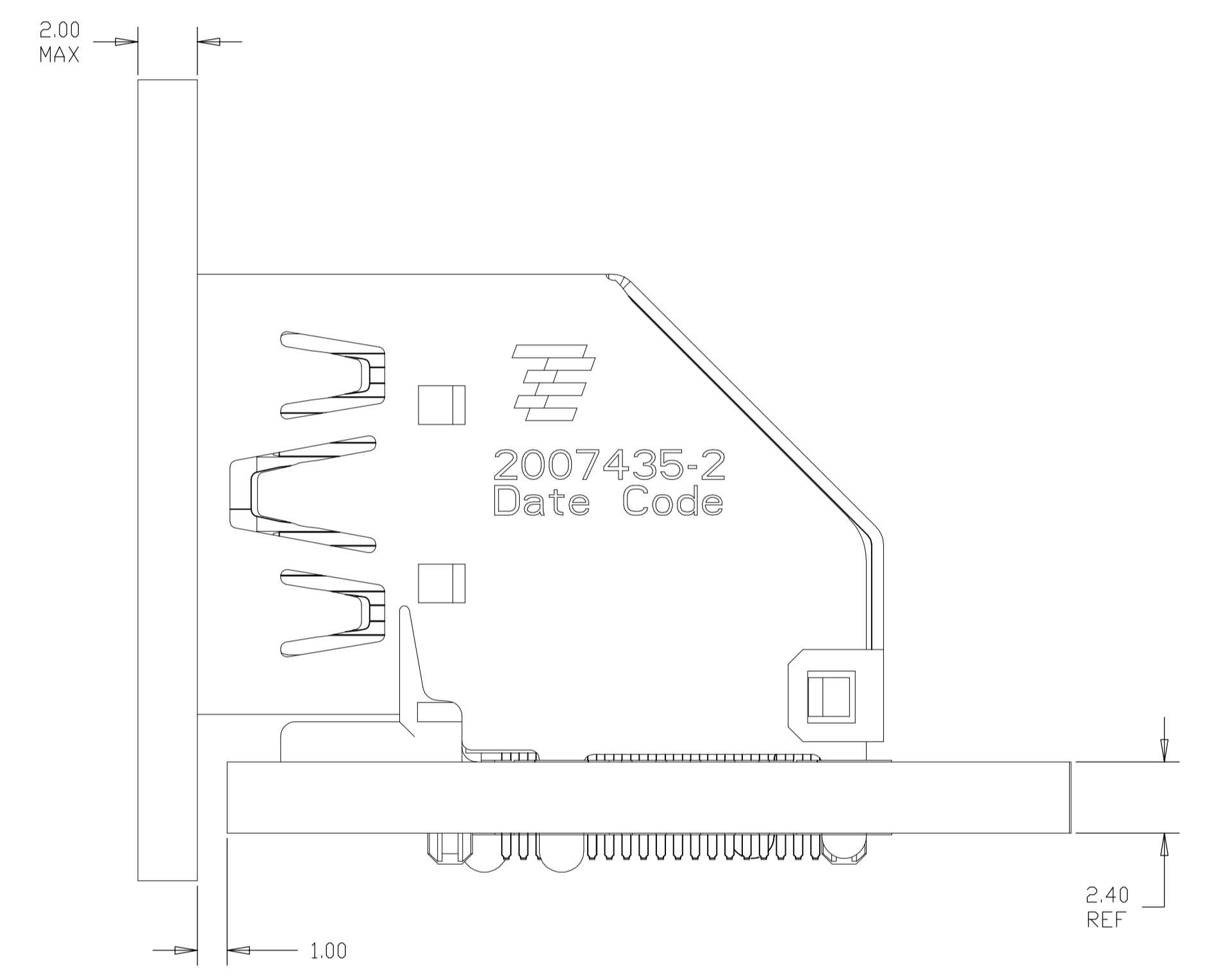
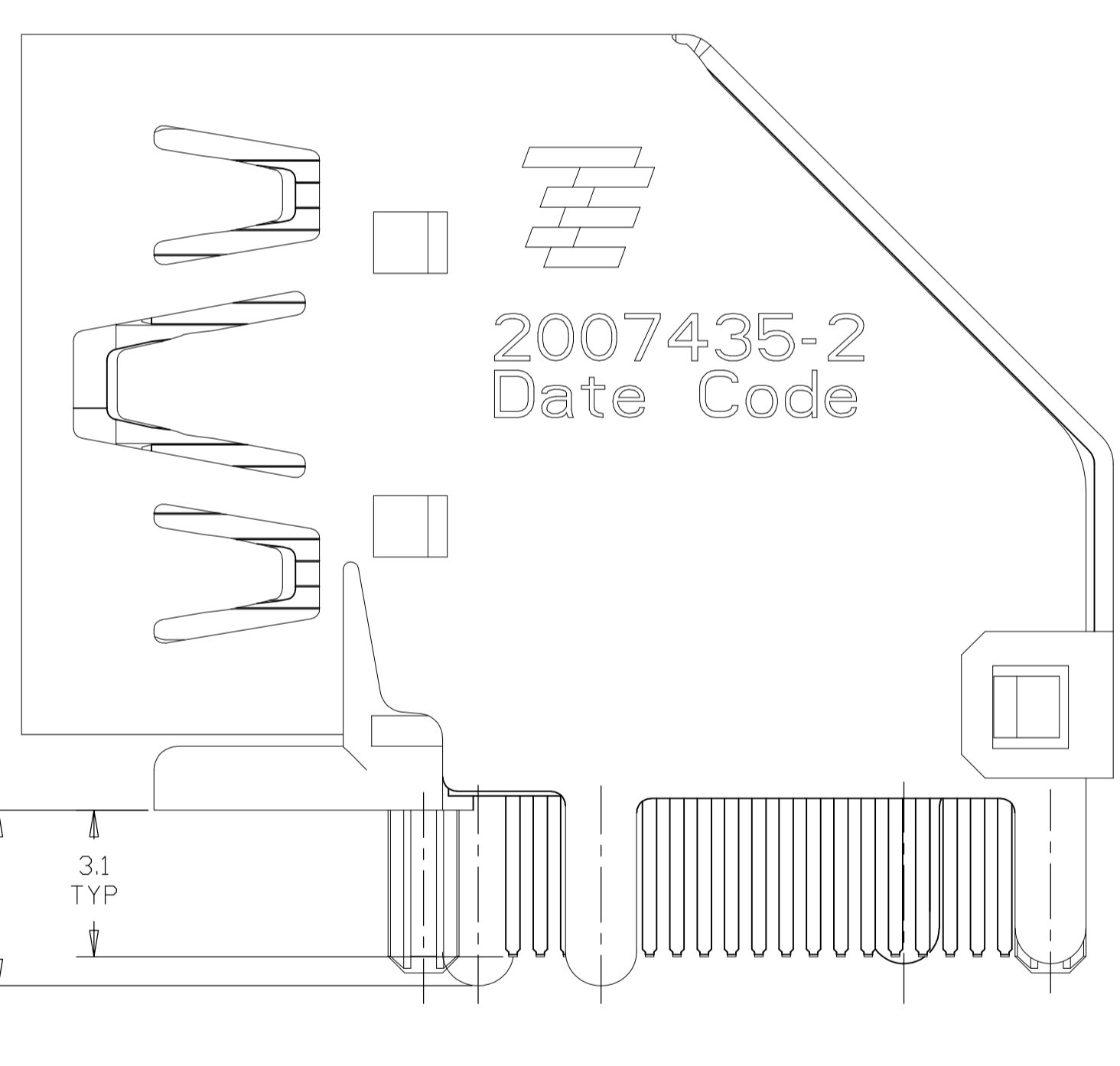
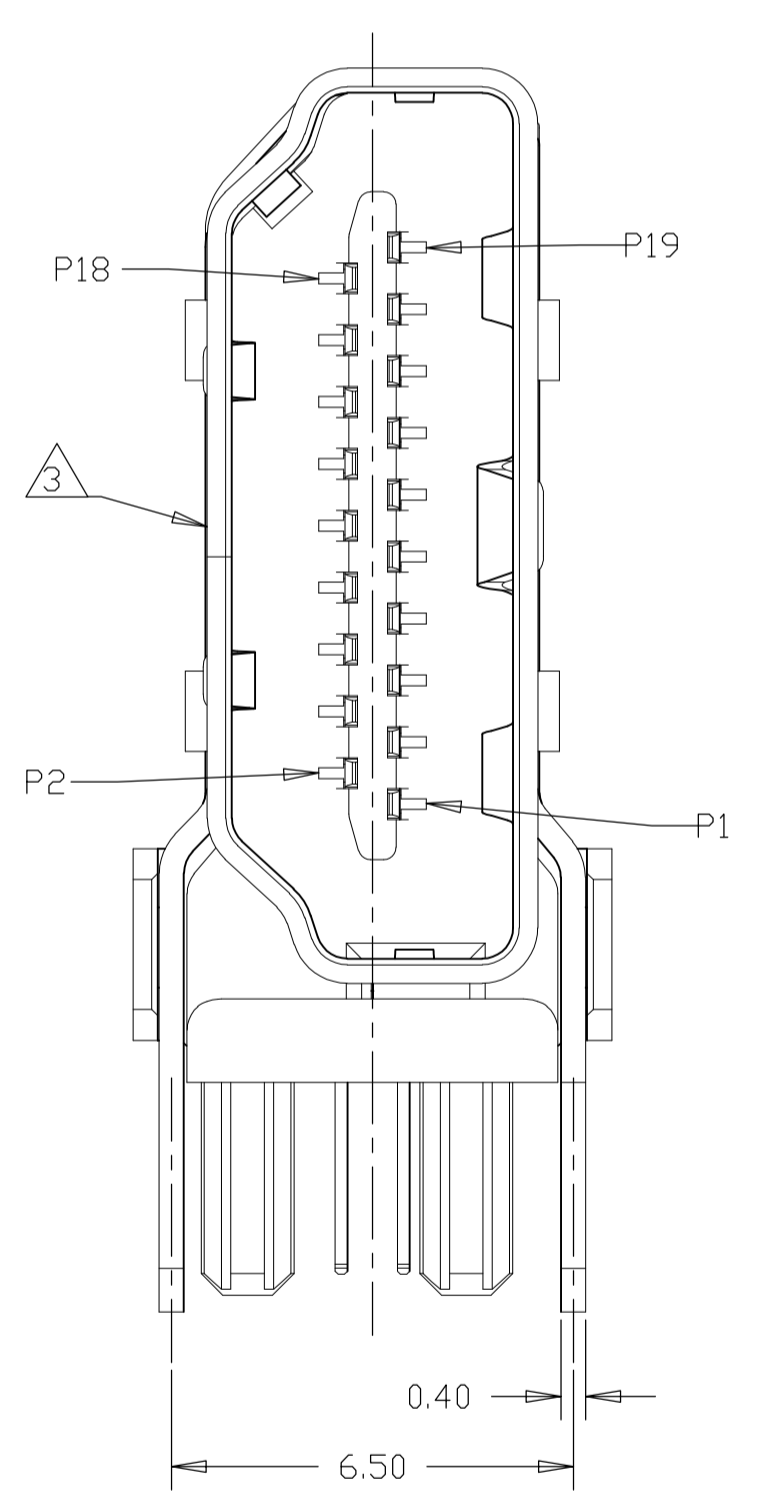
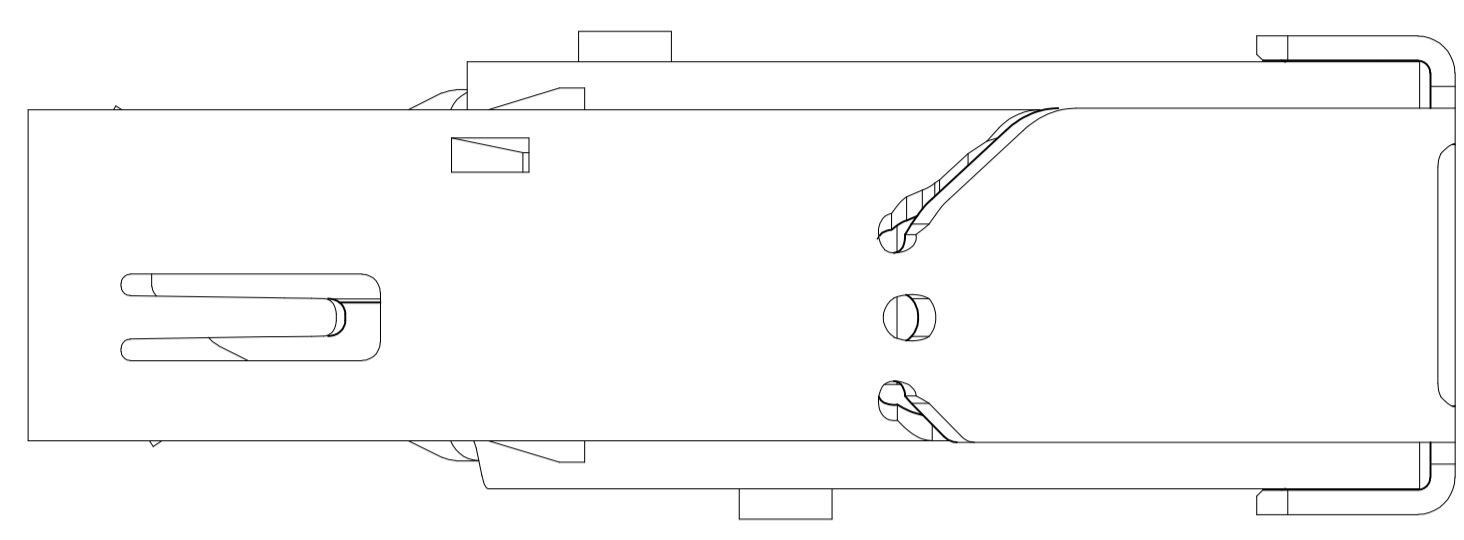
DWG: Francis Lee 31AUG2010
 CHK: Martin Li 31AUG2010
 APVD: Steven Yao 31AUG2010
 NAME: STEVEN YAO
 PRODUCT SPEC: 108-60079
 APPLICATION SPEC: -
 SIZE: A1
 CAGE CODE: 00779
 DRAWING NO: C=2007435
 WEIGHT: -
 CUSTOMER DRAWING: -
 SCALE: 8:1
 SHEET: 1 OF 9
 REV: D

STE TE Connectivity
 HDMI FLAG CONNECTOR ASSEMBLY

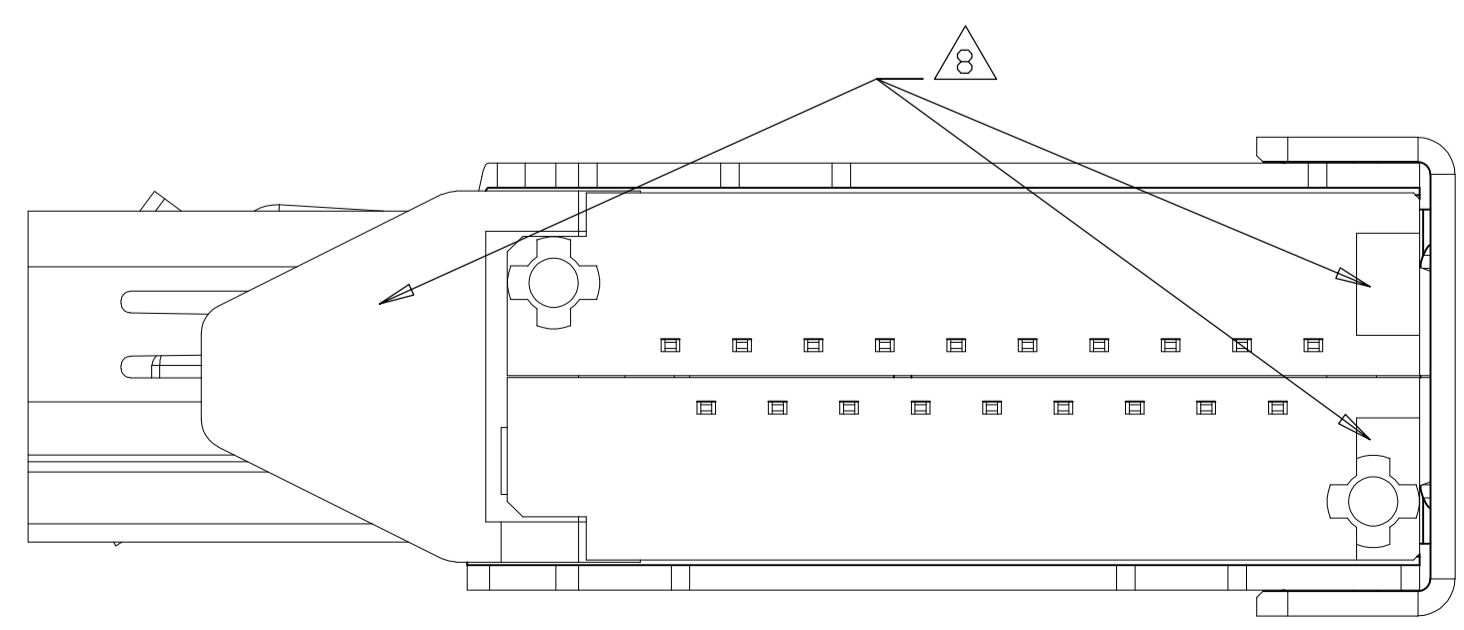
LOC		DIST		REVISIONS			
P	LTR	DESCRIPTION	DATE	DN	APVD		
-	-	SEE SHEET 1	-	-	-	-	-



2007435-2 WITHOUT BOARD LOCK,
 UNMARKED DIMENSIONS SAME AS 2007435-1
 SCALE 6:1

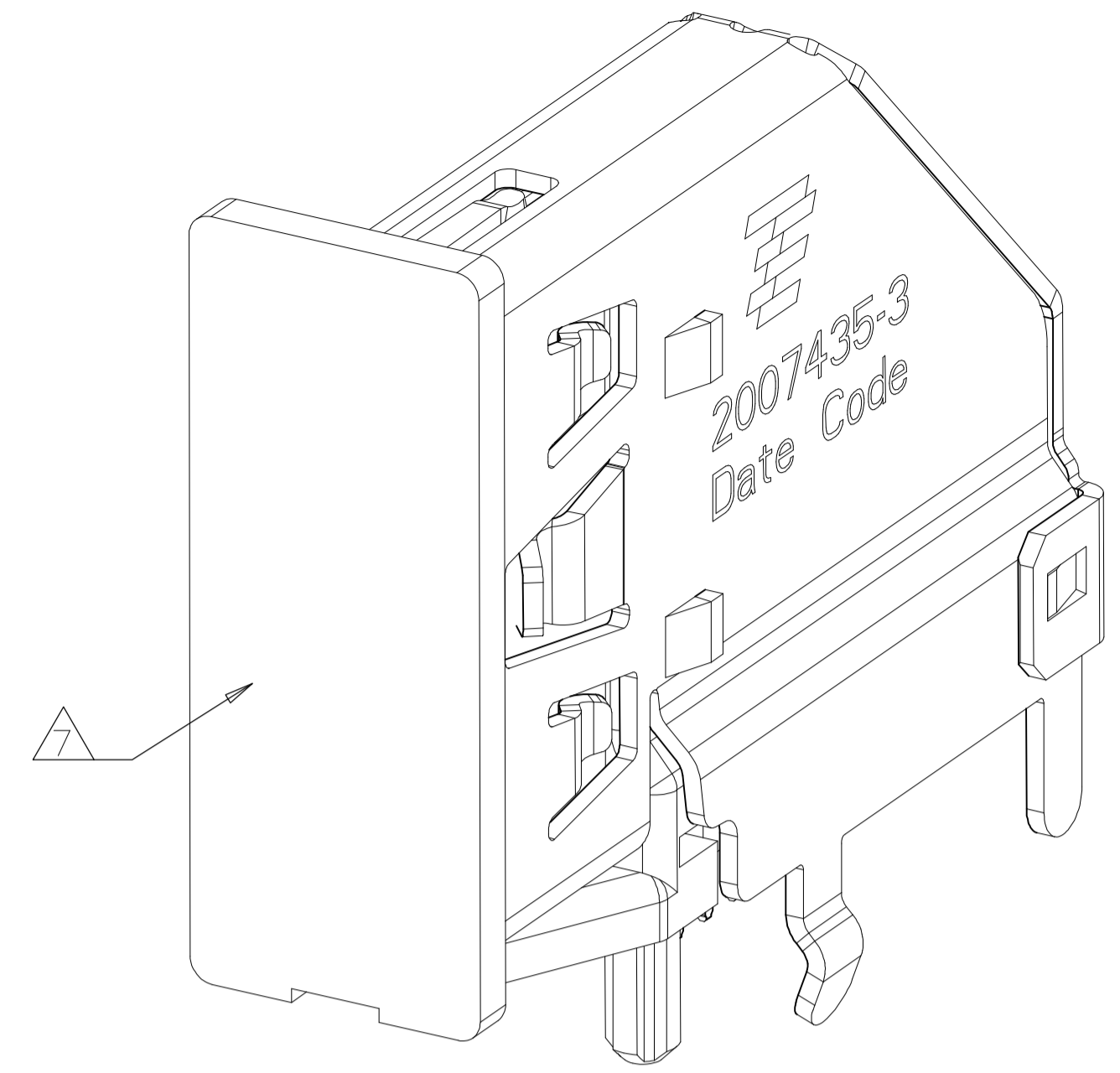


2007435-2
 INSTALLED CONDITION
 SCALE 6:1

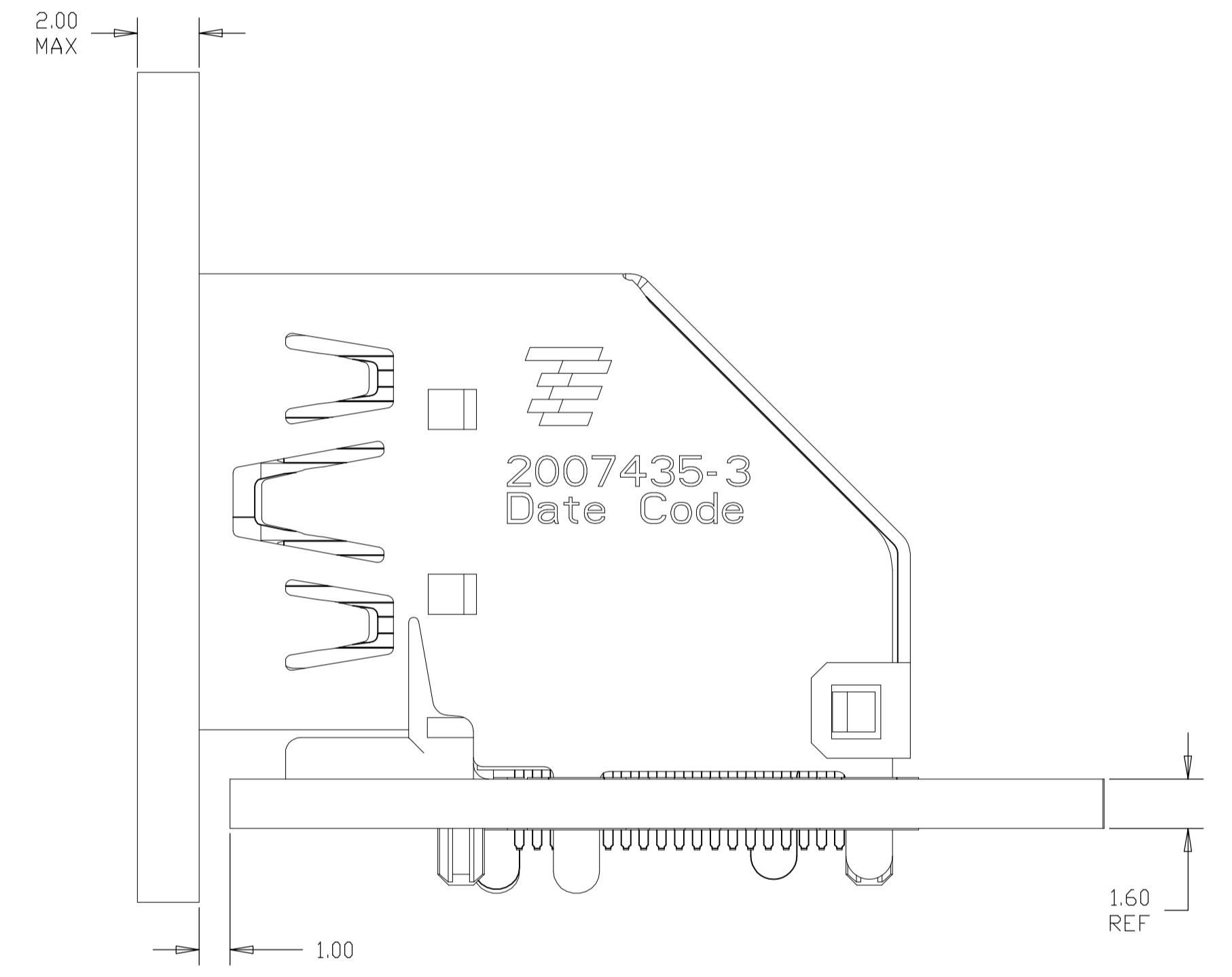
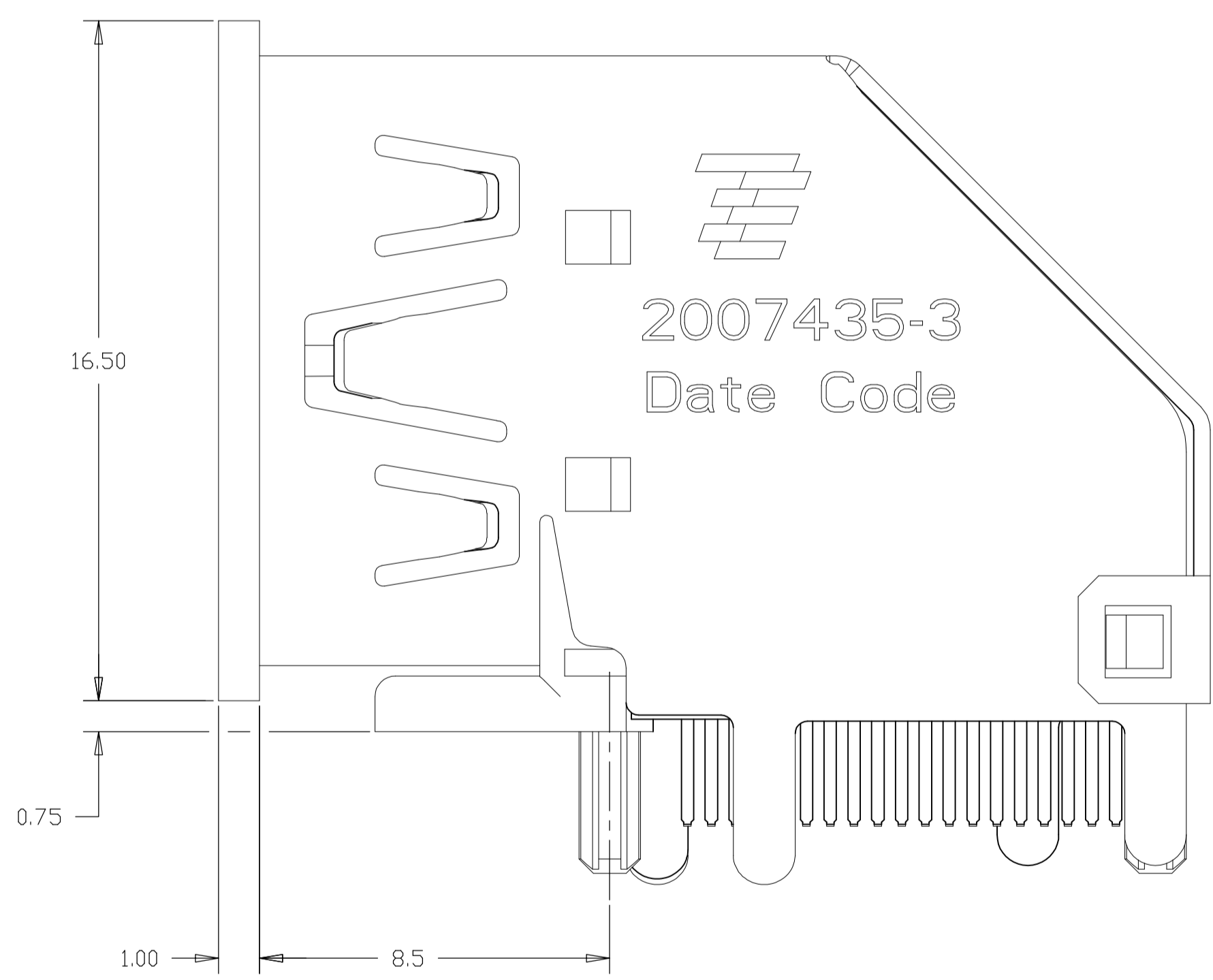
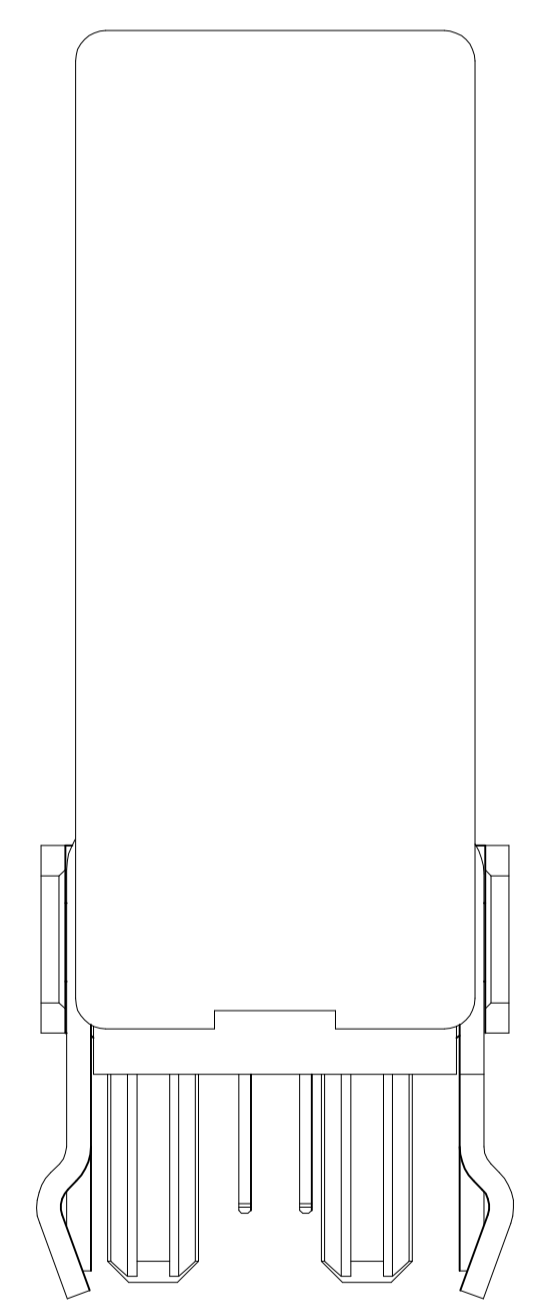
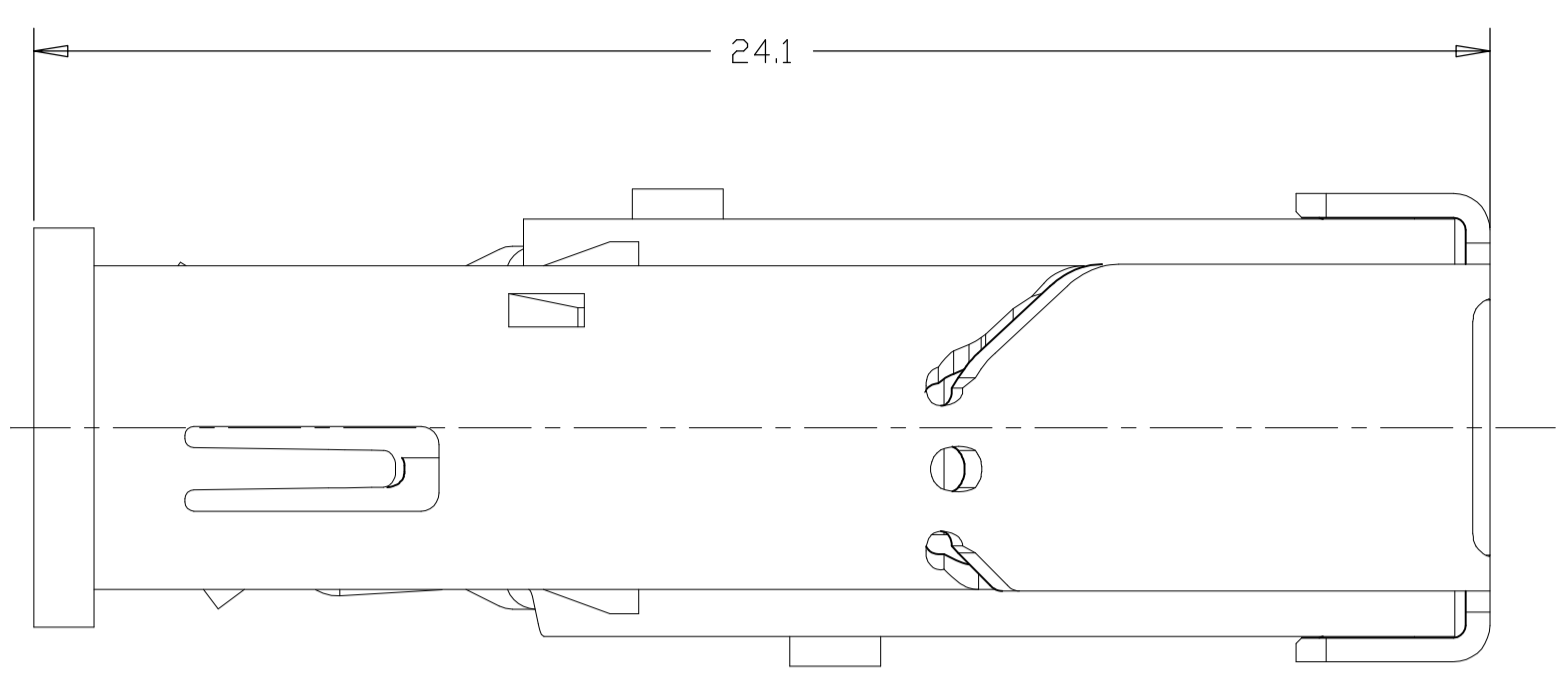


THIS DRAWING IS A CONTROLLED DOCUMENT.		DIN		STE TE Connectivity	
DIMENSIONS: mm		TOLERANCES UNLESS OTHERWISE SPECIFIED:		NAME	
<ul style="list-style-type: none"> 0. PLC ± - 1. PLC ± 0.3 2. PLC ± 0.25 3. PLC ± 0.100 4. PLC ± 0.1000 ANGLES ± - 		<ul style="list-style-type: none"> CHK APVD PRODUCT SPEC APPLICATION SPEC 		HDMI FLAG CONNECTOR ASSEMBLY	
MATERIAL SEE TABLE		FINISH		SIZE CAGE CODE DRAWING NO	
				A1 00779 C=2007435	
		CUSTOMER DRAWING		RESTRICTED TO	
		SCALE 8:1		SHEET 2 OF 9 REV D	

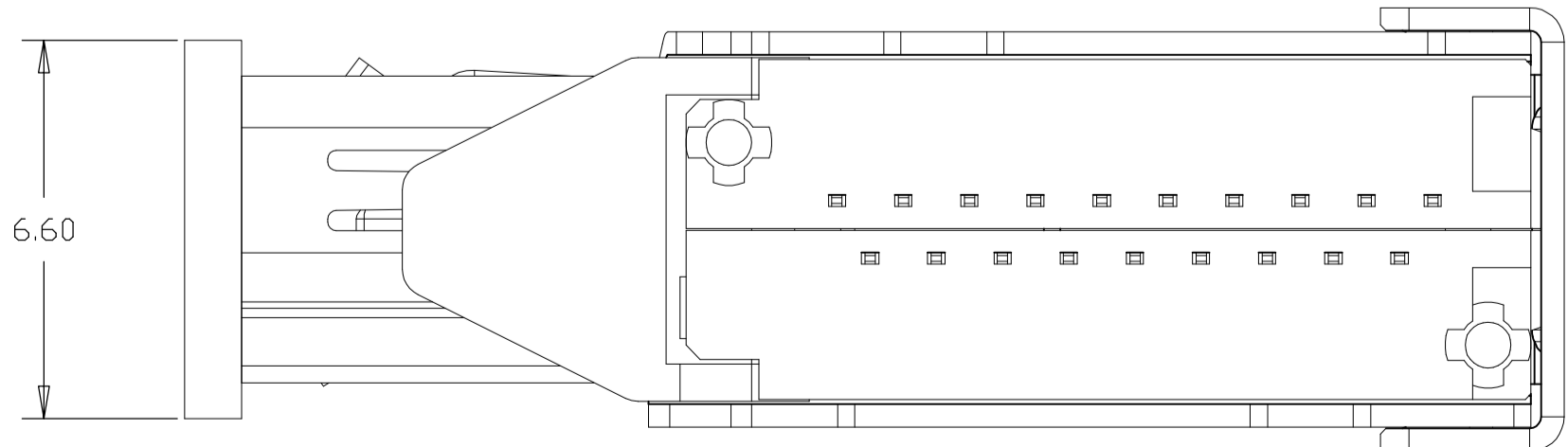
LOC		DIST		REVISIONS			
P	LTR	DESCRIPTION	DATE	DN	APVD		
-	-	SEE SHEET 1	-	-	-	-	-



2007435-3(-5) WITH CAP, UNMARKED
 DIMENSIONS SAME AS 2007435-1
 SCALE 6:1

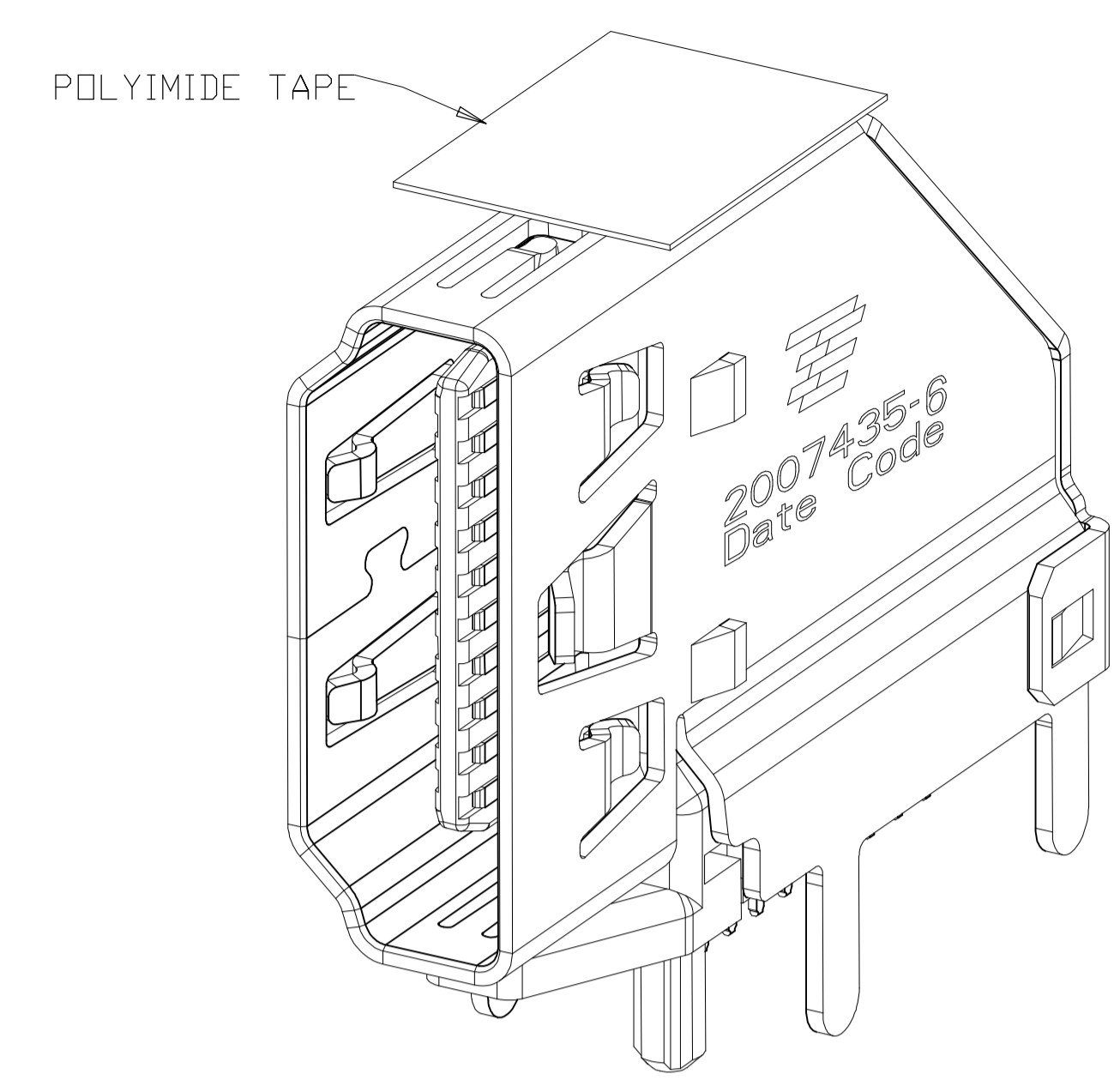
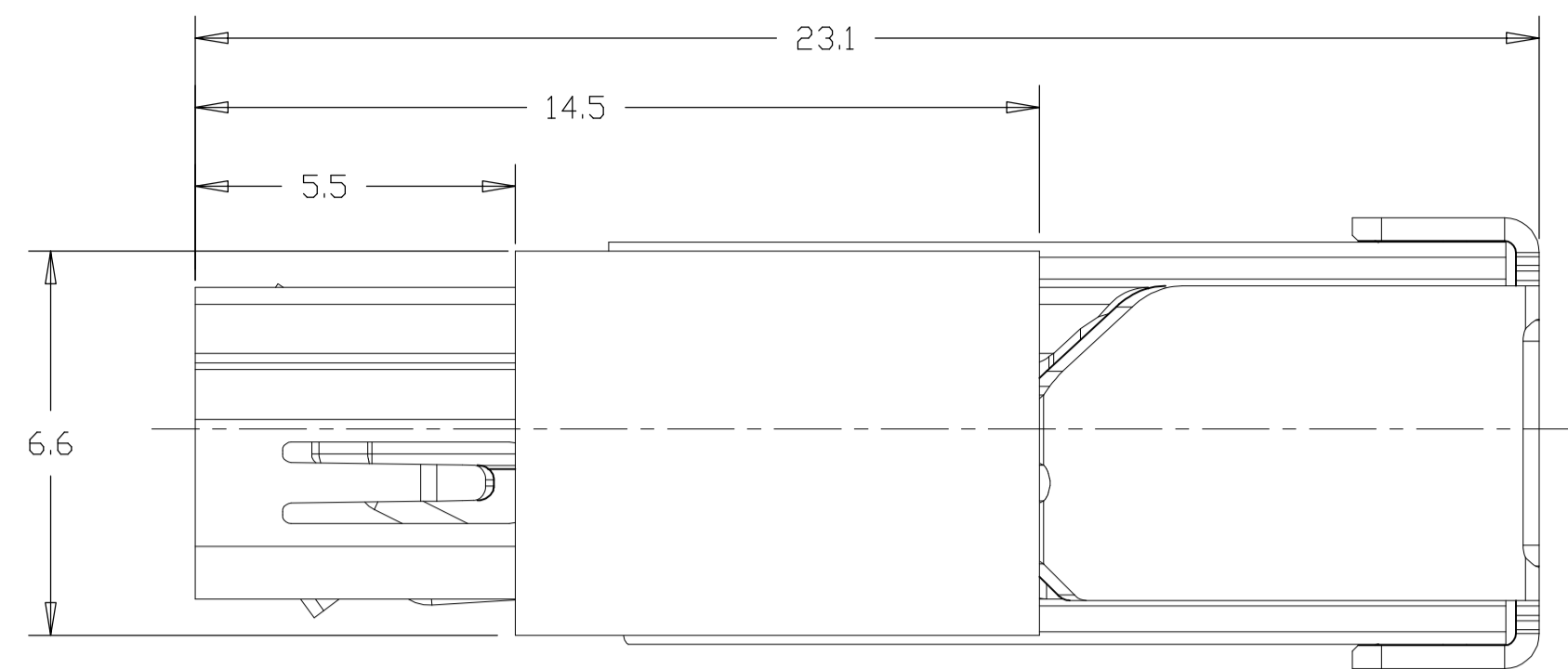


2007435-3(-5)
 INSTALLED CONDITION
 (ONLY FOR AFTER REMOVE CAP)
 SCALE 6:1

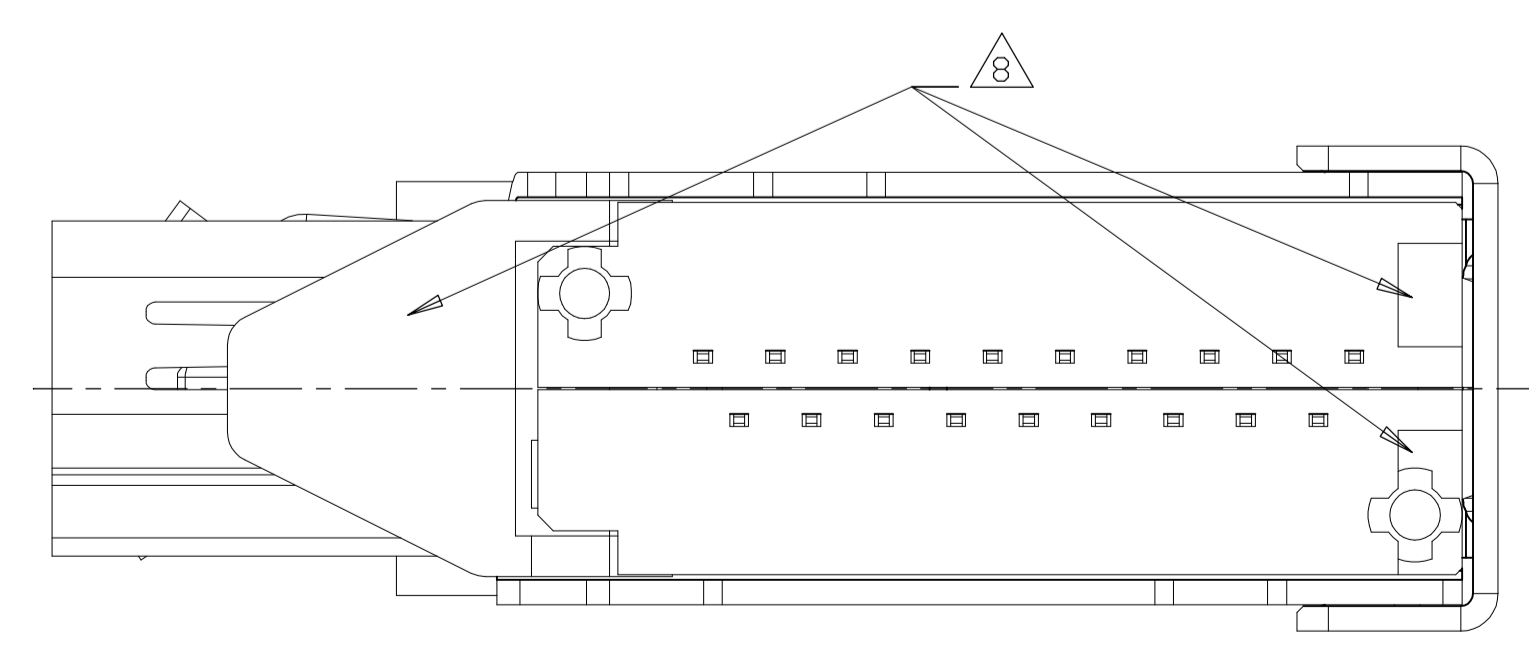
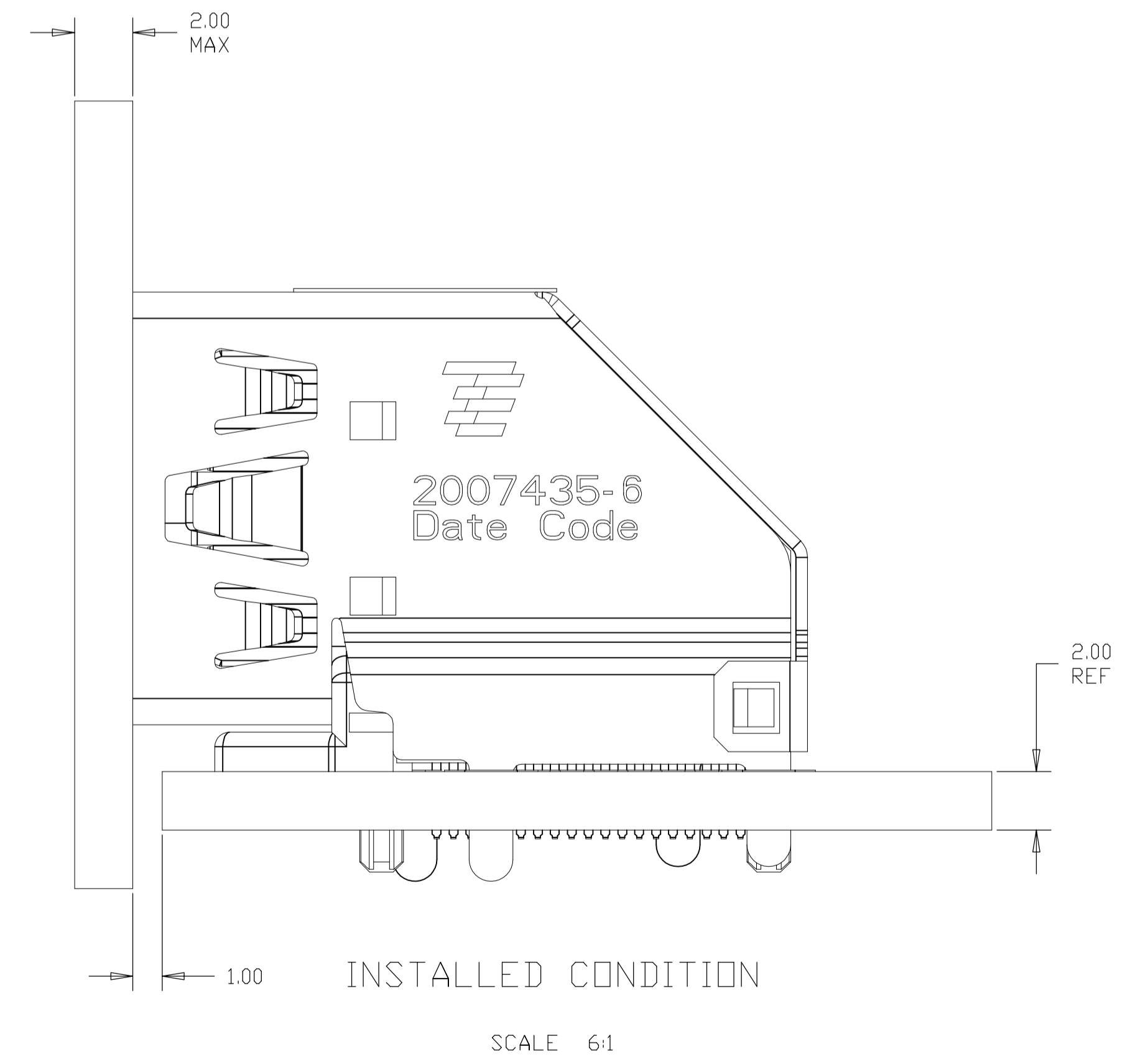
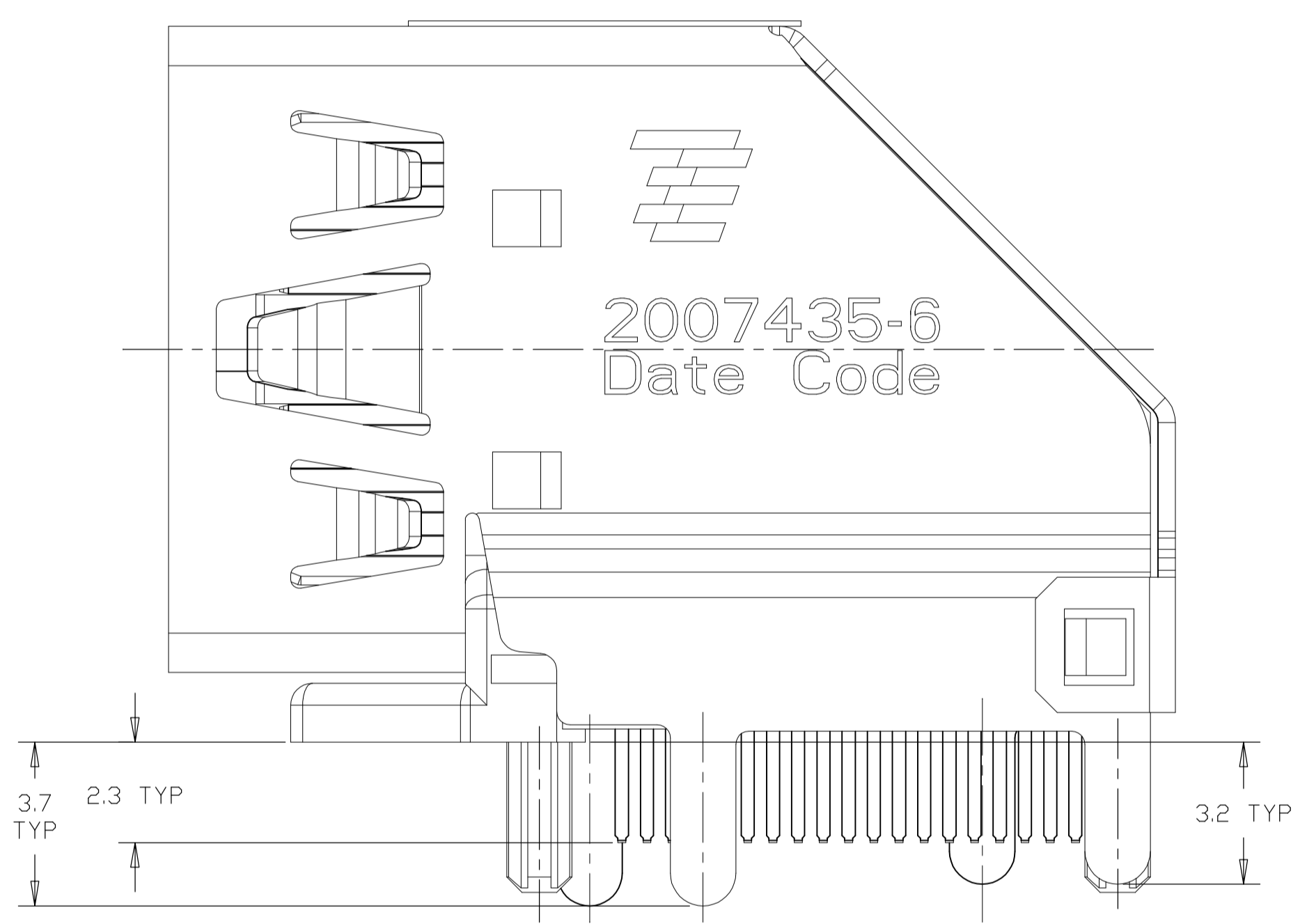
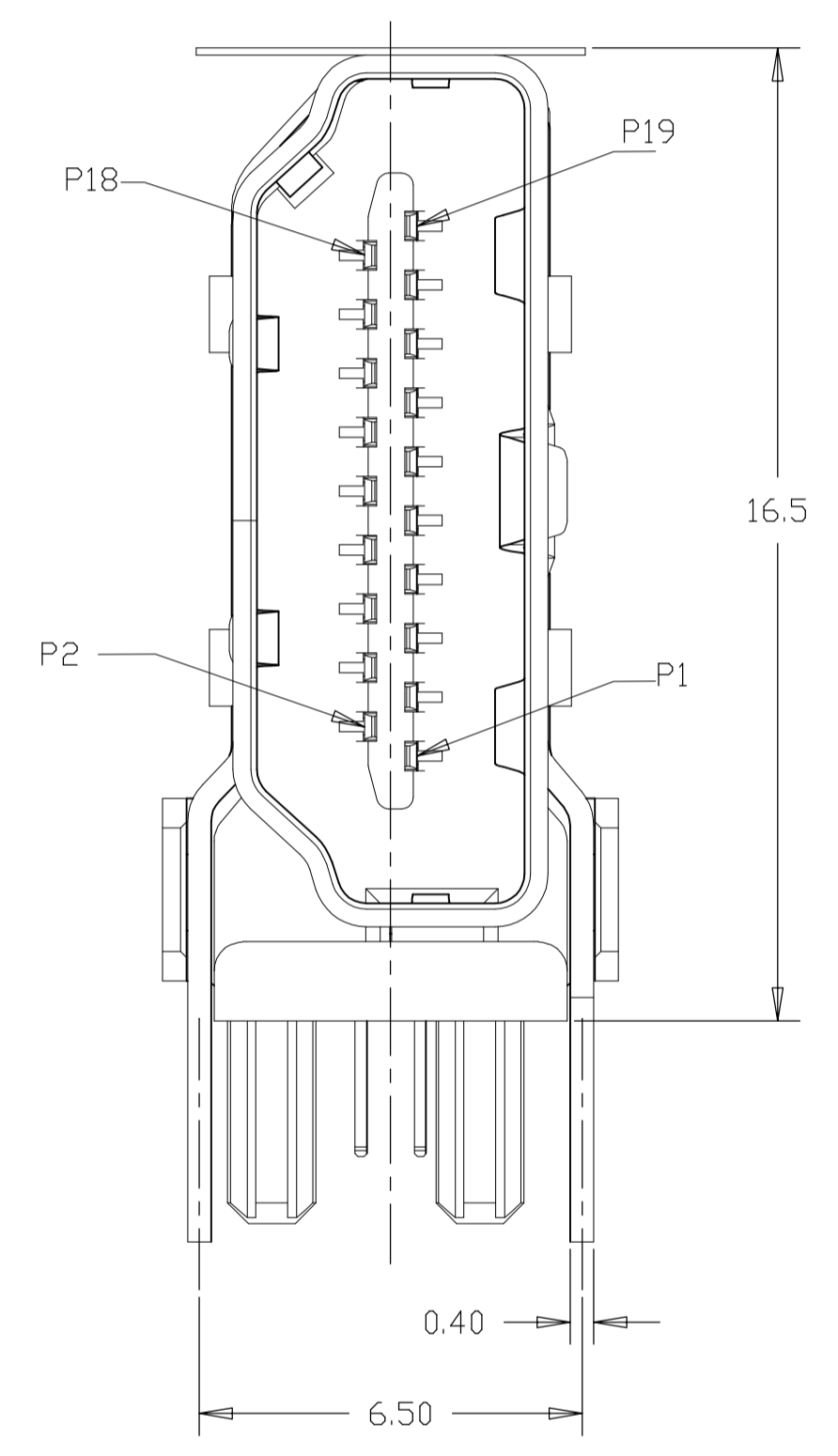


THIS DRAWING IS A CONTROLLED DOCUMENT.		DIN		STE TE Connectivity	
DIMENSIONS: mm		TOLERANCES UNLESS OTHERWISE SPECIFIED:		NAME	
<ul style="list-style-type: none"> 0. PLC ± 0.3 1. PLC ± 0.25 2. PLC ± 0.10 3. PLC ± 0.10 4. PLC ± 0.10 ANGLES ± 		APVD		HDMI FLAG CONNECTOR ASSEMBLY	
MATERIAL SEE TABLE		FINISH		PRODUCT SPEC	
				APPLICATION SPEC	
				SIZE CAGE CODE DRAWING NO	
				A1 00779 C=2007435	
				RESTRICTED TO	
				CUSTOMER DRAWING	
				SCALE 8:1 SHEET 3 OF 9 REV D	

LOC		DIST		REVISIONS			
P	LTR	DESCRIPTION	DATE	DWN	APVD		
-	-	SEE SHEET 1	-	-	-	-	-

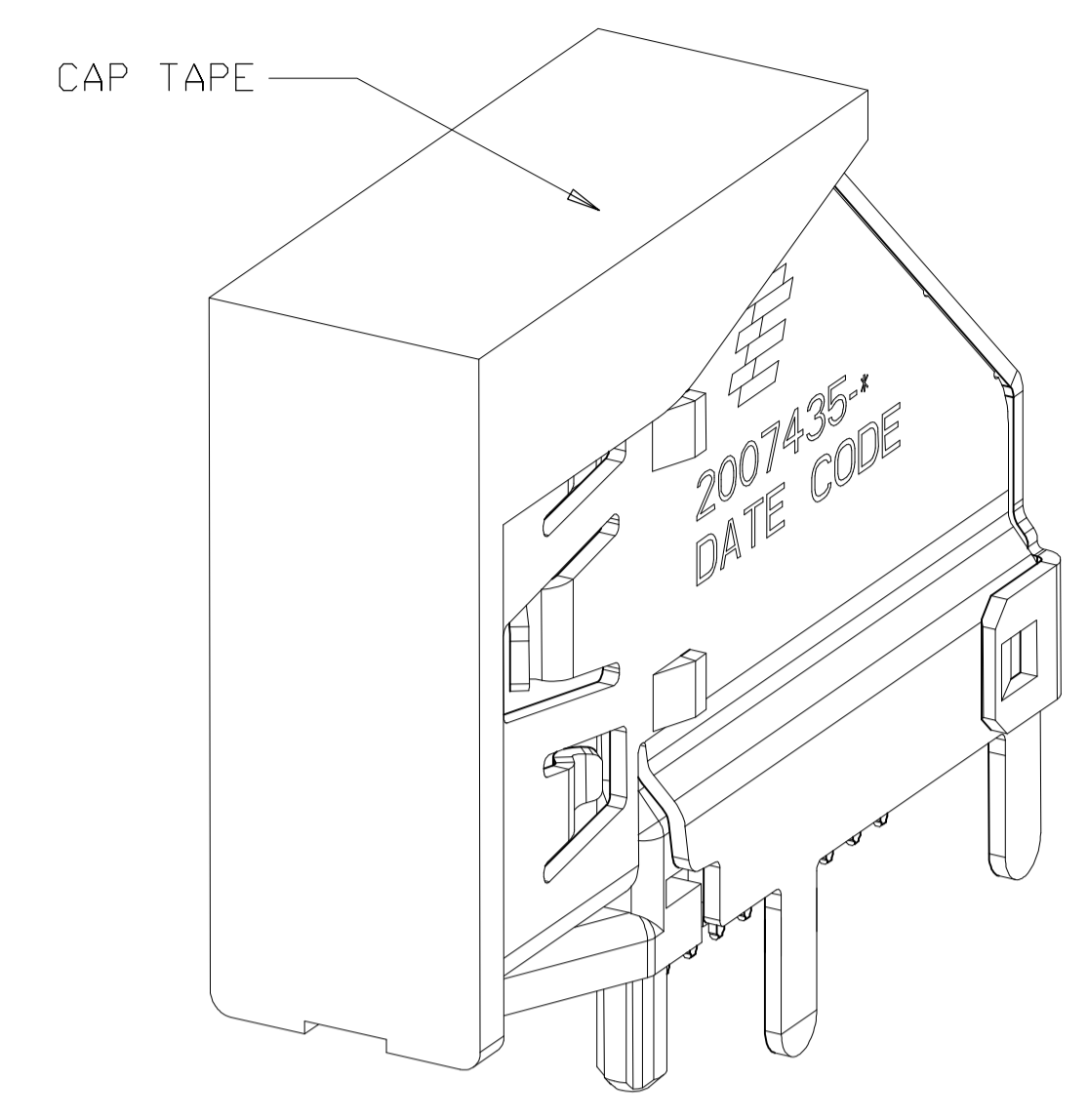
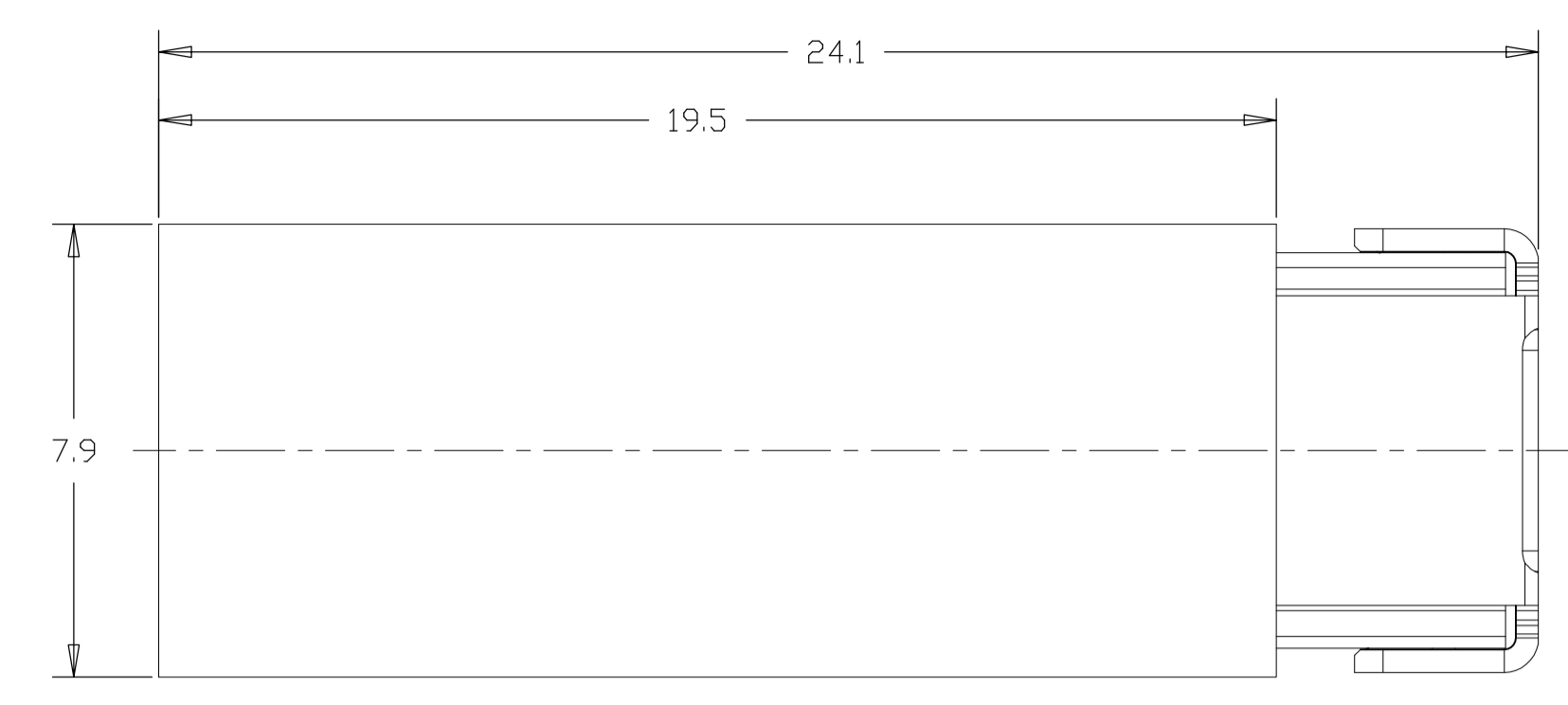


2007435-6 WITH POLYIMIDE TAPE,
UNMARKED DIMENSIONS SAME AS 2007435-1
SCALE 6:1



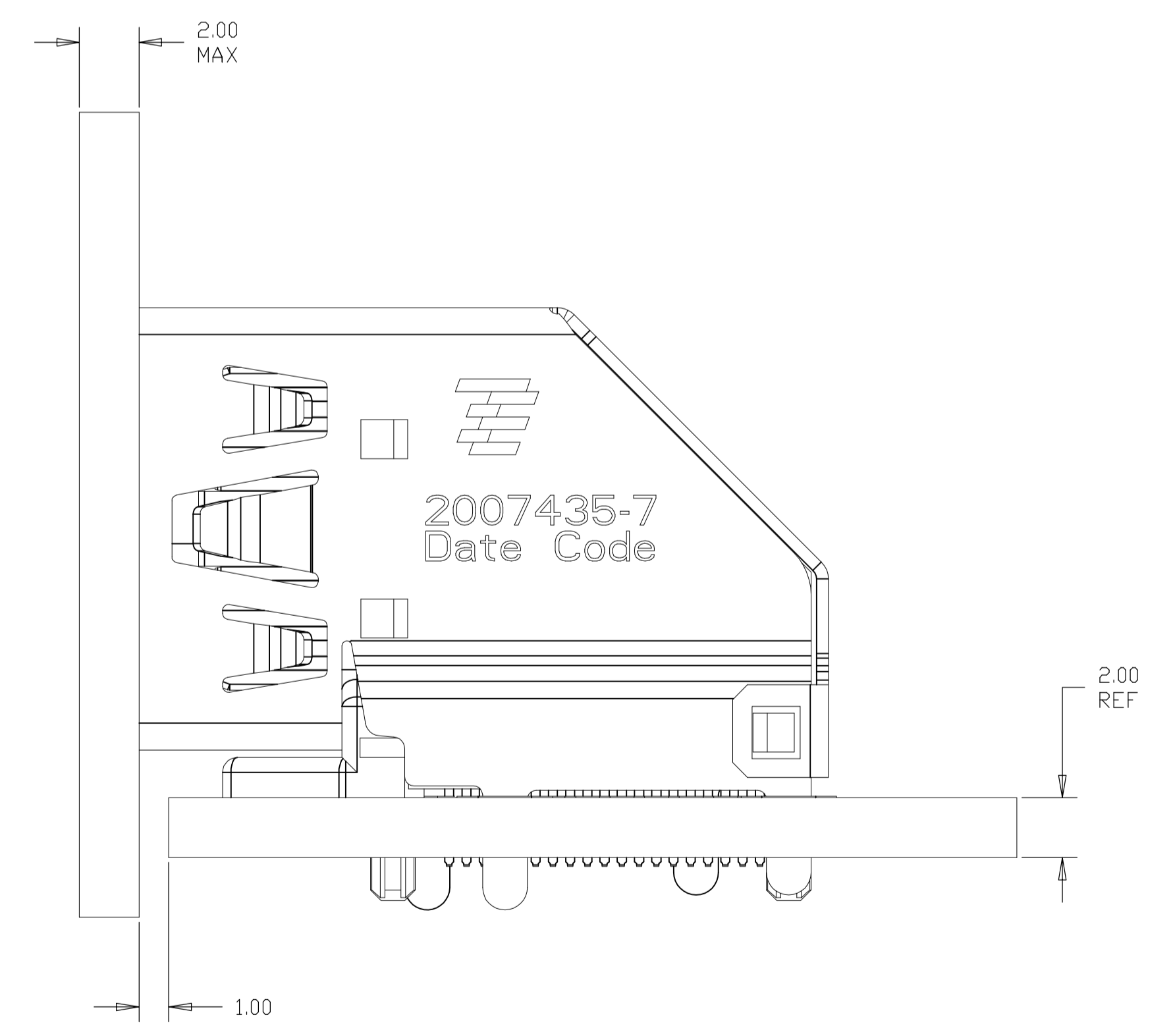
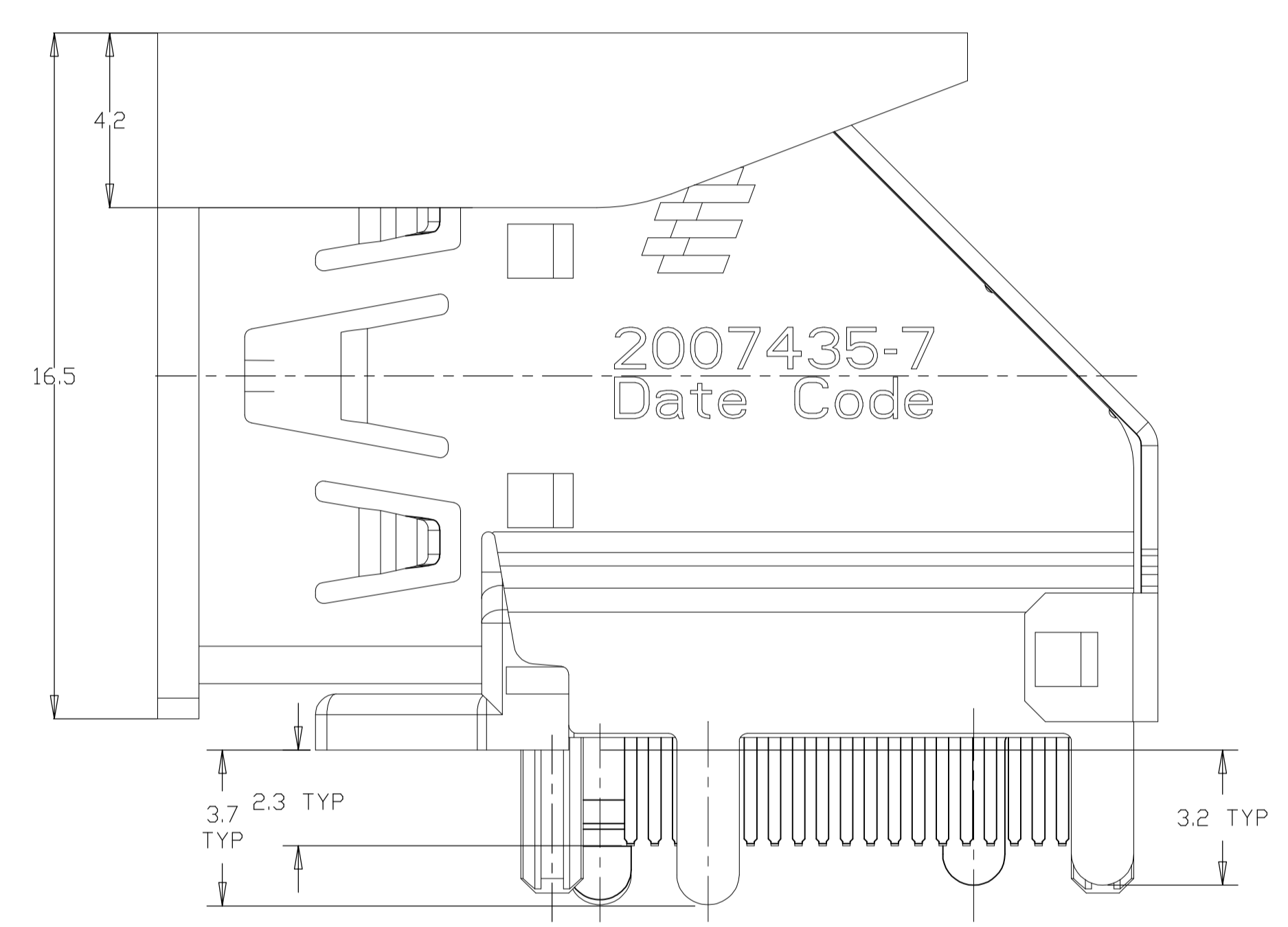
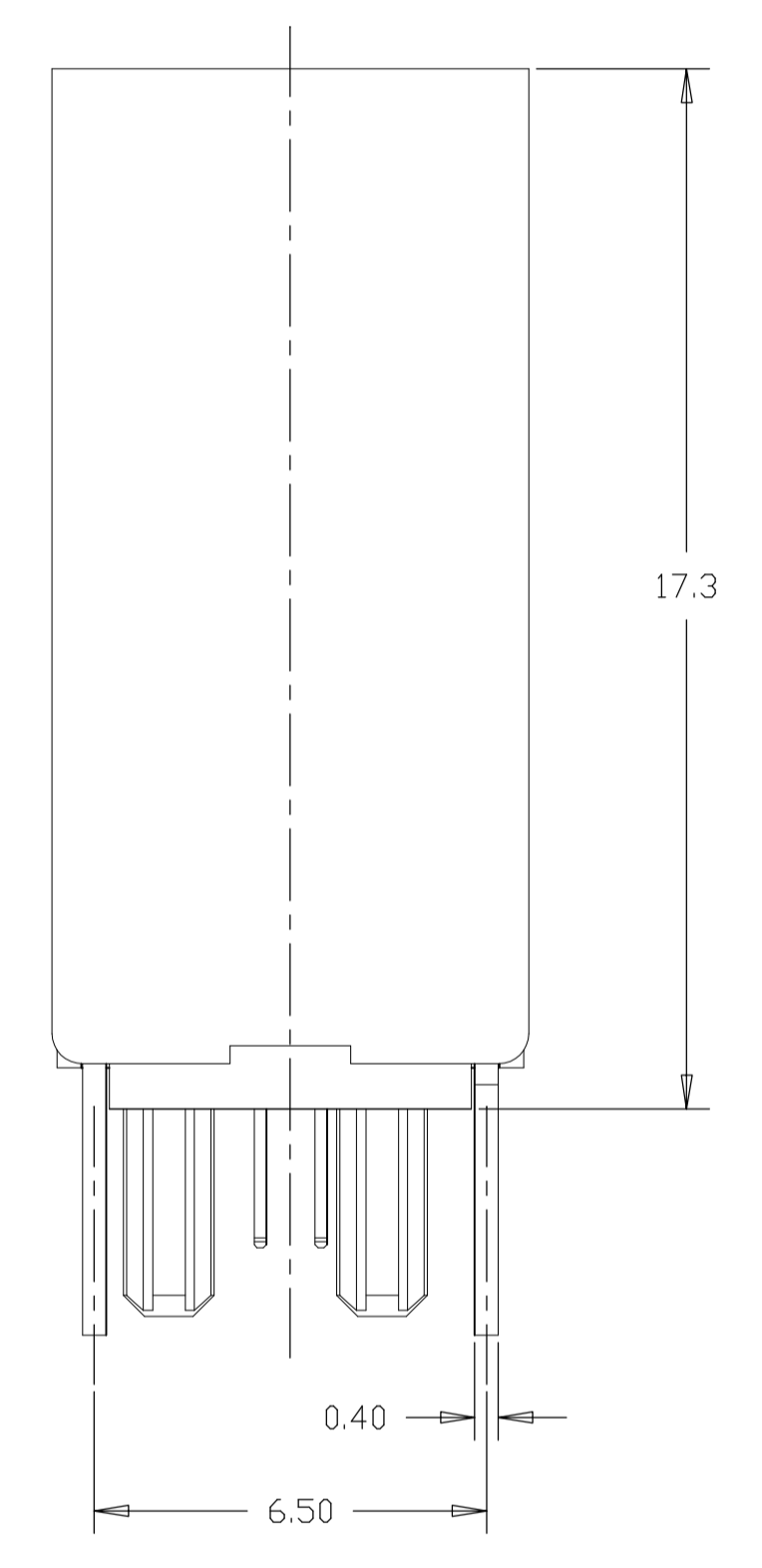
THIS DRAWING IS A CONTROLLED DOCUMENT.		DWN	TE Connectivity	
DIMENSIONS: mm		CHK	NAME	
TOLERANCES UNLESS OTHERWISE SPECIFIED:		APVD	HDMI FLAG CONNECTOR ASSEMBLY	
0. PLC	± 0.3	PRODUCT SPEC	-	
1. PLC	± 0.25	APPLICATION SPEC	-	
2. PLC	± 0.10	WEIGHT	-	
3. PLC	± 0.10	CUSTOMER DRAWING	-	
4. PLC	± 0.10	SCALE	8:1	
ANGLES	± -	SHEET	4 OF 9	
FINISH	2	REV	D	

LOC		DIST		REVISIONS			
P	LTR	DESCRIPTION	DATE	DNW	APVD		
-	-	SEE SHEET 1	-	-	-	-	-

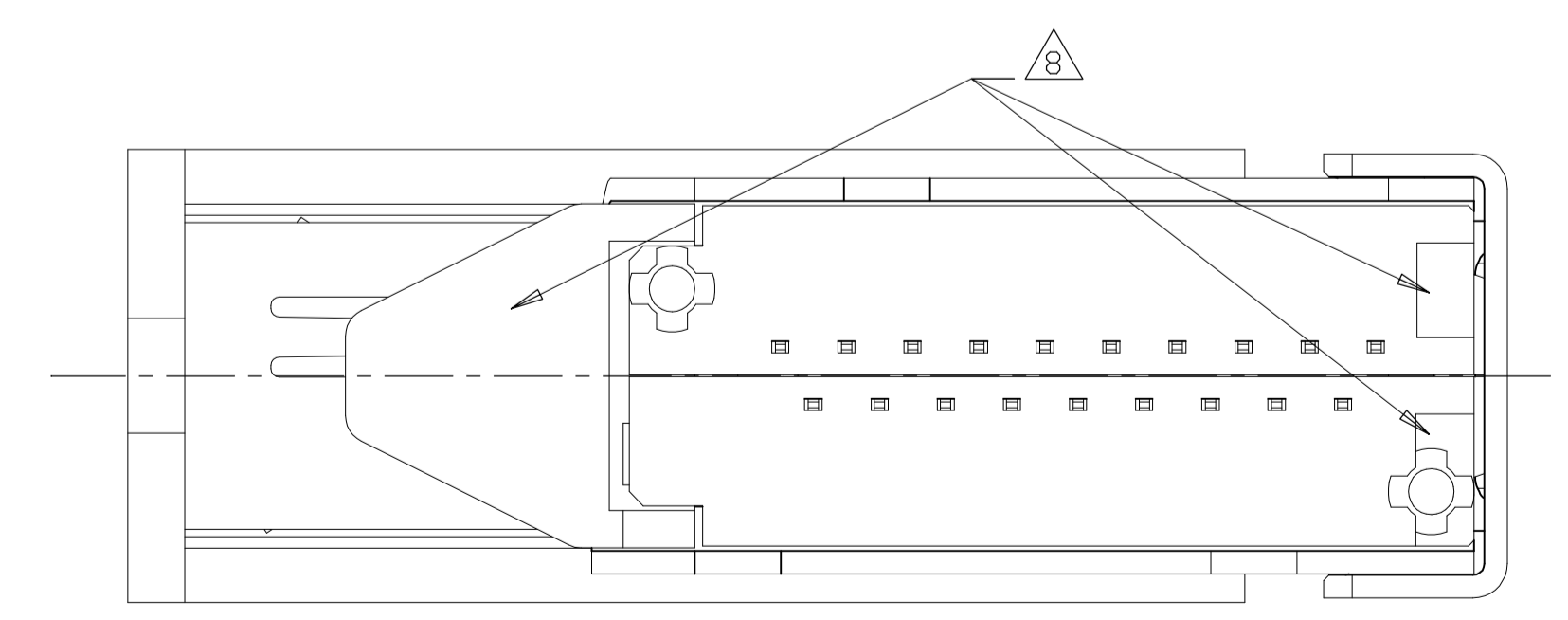


2007435-7 WITH CAP,
UNMARKED DIMENSIONS SAME AS 2007435-1

SCALE 6:1

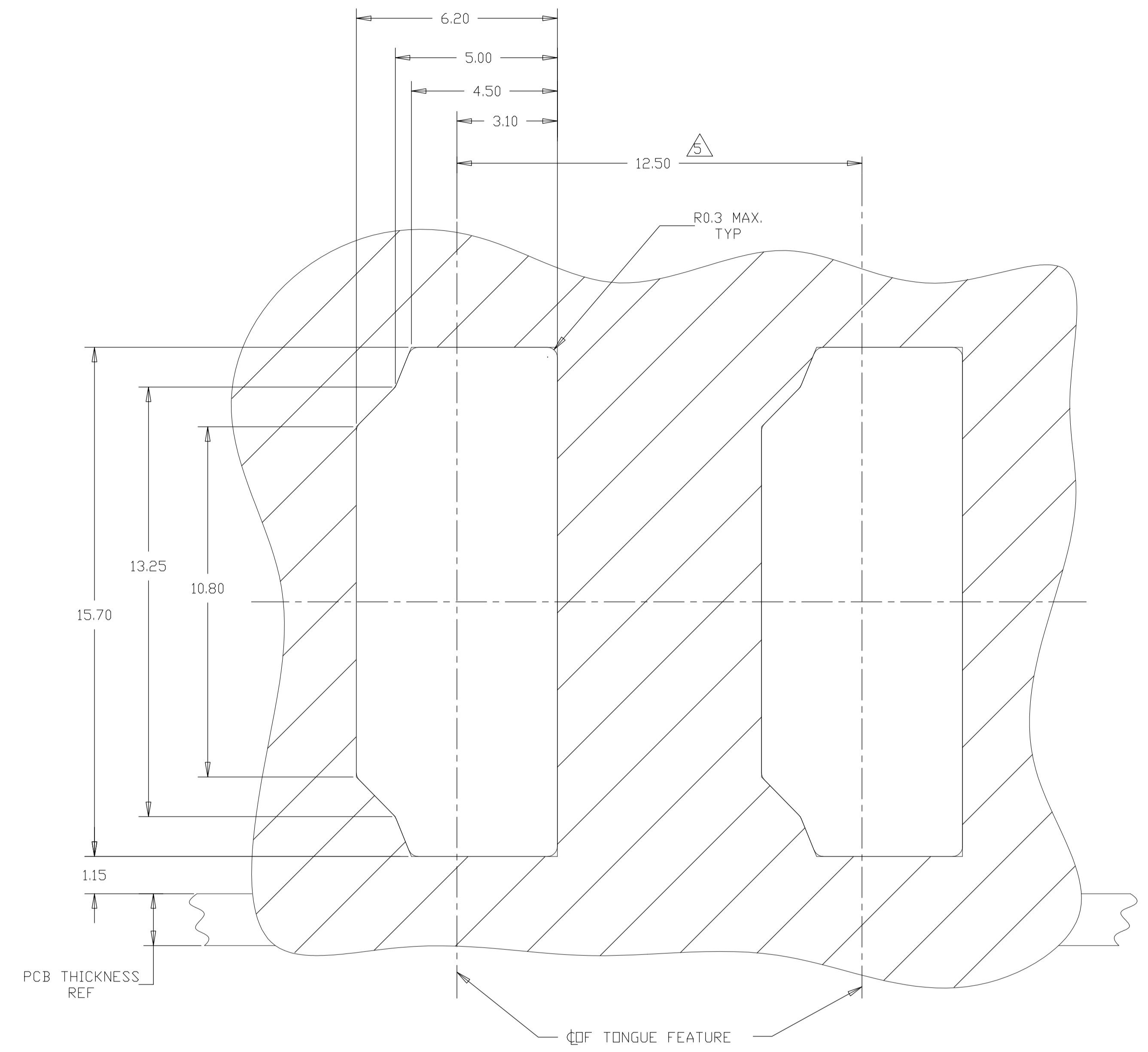
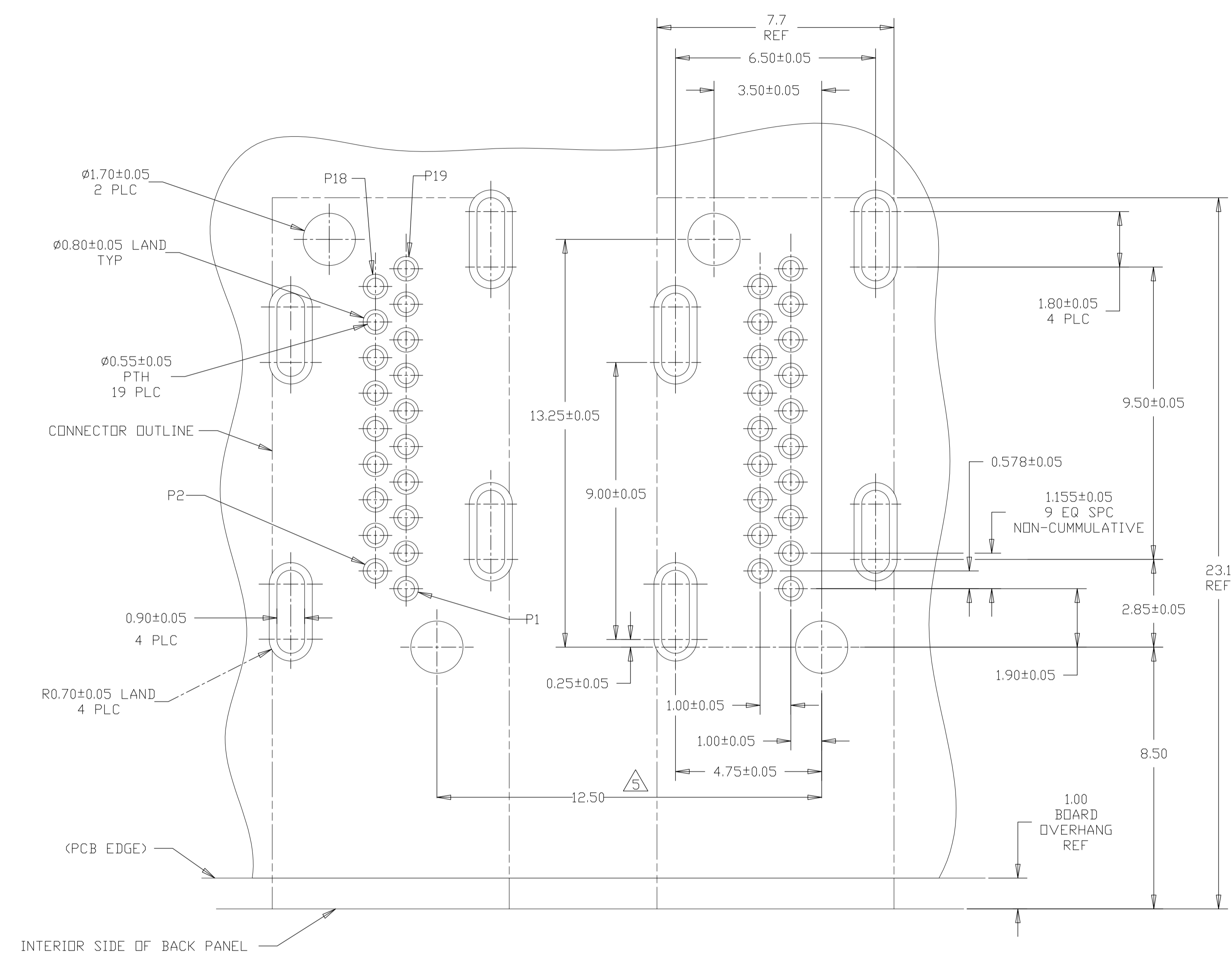


INSTALLED CONDITION
(ONLY FOR AFTER REMOVE CAP)
SCALE 6:1



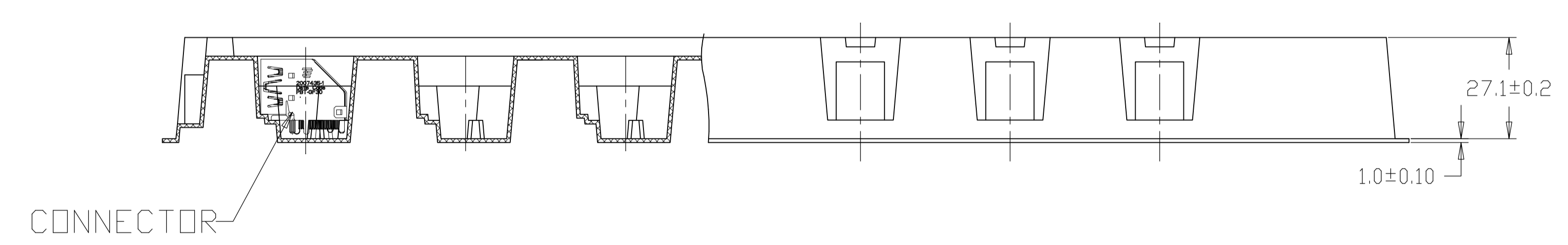
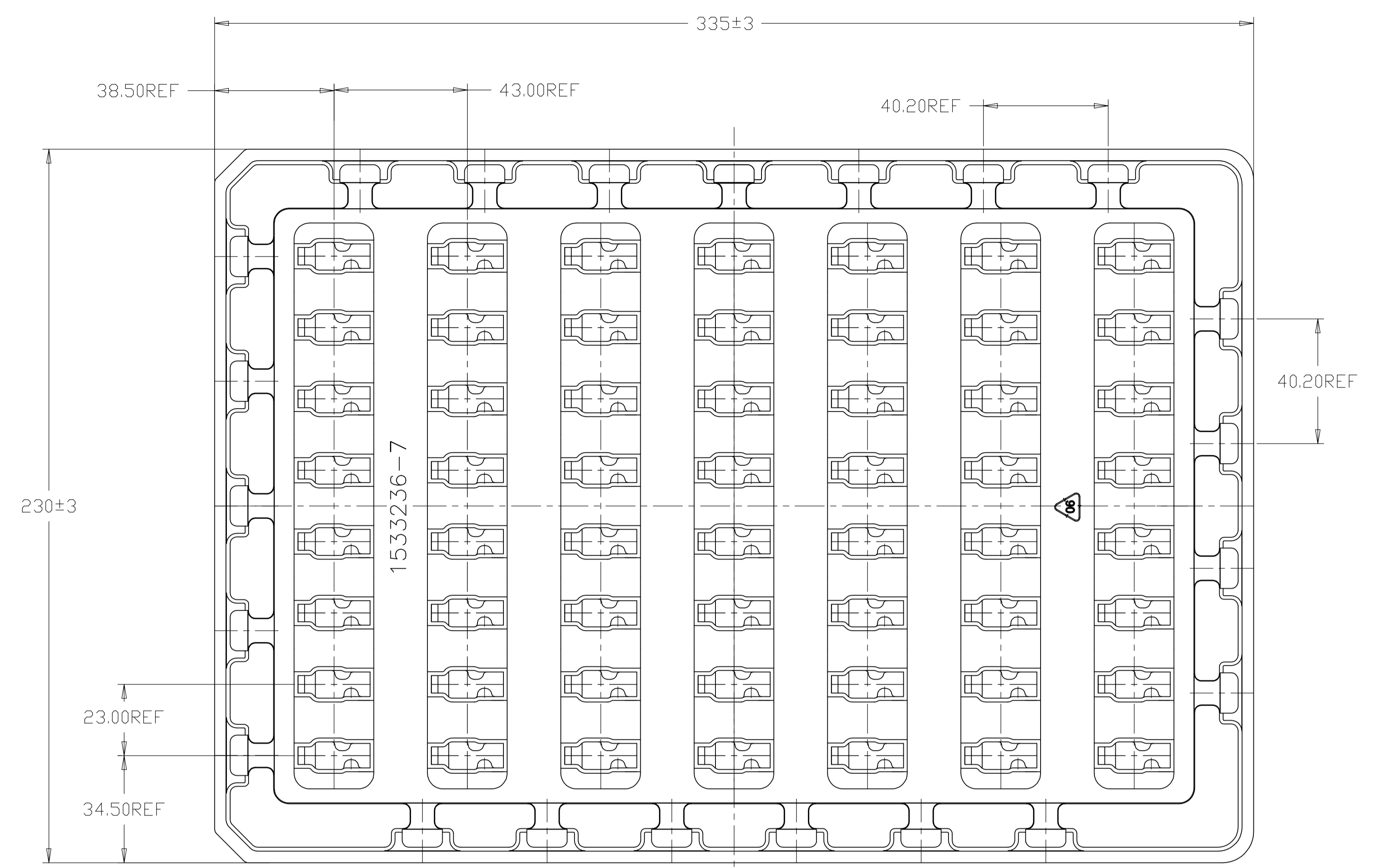
THIS DRAWING IS A CONTROLLED DOCUMENT.		DIN		STE		TE Connectivity	
DIMENSIONS: mm		TOLERANCES UNLESS OTHERWISE SPECIFIED:		NAME		HDMI FLAG CONNECTOR ASSEMBLY	
<ul style="list-style-type: none"> 0. PLC ± 0.3 1. PLC ± 0.25 2. PLC ± 0.10 3. PLC ± 0.10 4. PLC ± 0.10 ANGLES ± - 		<ul style="list-style-type: none"> APVD PRODUCT SPEC APPLICATION SPEC 		SIZE		RESTRICTED TO	
MATERIAL SEE TABLE		FINISH		WEIGHT		A1 00779 C=2007435	
				CUSTOMER DRAWING		SCALE 8:1 SHEET 5 OF 9 REV D	

LOC		DIST		REVISIONS			
#	LTR	DESCRIPTION	DATE	DWN	APVD		
-	-	SEE SHEET 1	-	-	-		



THIS DRAWING IS A CONTROLLED DOCUMENT.		DWN	TE Connectivity	
DIMENSIONS:	TOLERANCES UNLESS OTHERWISE SPECIFIED:	CHK	NAME	HDMI FLAG CONNECTOR ASSEMBLY
mm	0 PLC ± - 1 PLC ± 0.1 2 PLC ± 0.10 3 PLC ± 0.100 4 PLC ± 0.1000 ANGLES ± -	APVD	PRODUCT SPEC	
			APPLICATION SPEC	
MATERIAL	FINISH	WEIGHT	SIZE	A1 00779 ©=2007435
			CAGE CODE	00779
			DRAWING NO	2007435
			RESTRICTED TO	
			CUSTOMER DRAWING	SCALE 8:1 SHEET 6 OF 9 REV D

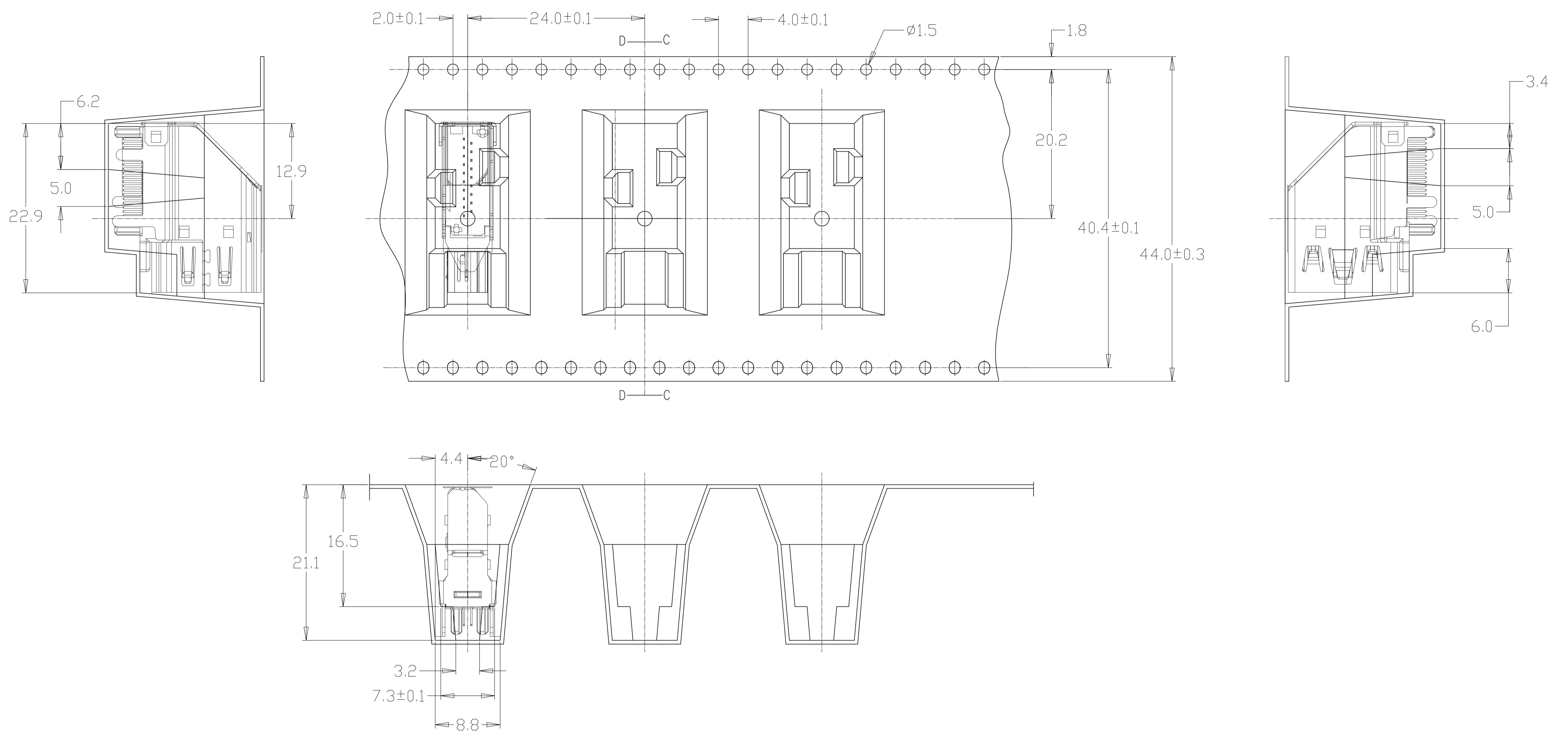
LOC		DIST		REVISIONS			
#	LTR	DESCRIPTION	DATE	DWN	APVD		
-	-	SEE SHEET 1	-	-	-		



PACKAGE TRAY
 FOR PART NUMBER
 2007435-1,-2,-3,-4,-5

THIS DRAWING IS A CONTROLLED DOCUMENT.		DWN	TE Connectivity	
DIMENSIONS: mm	TOLERANCES UNLESS OTHERWISE SPECIFIED: 0 PLC ± - 1 PLC ± - 2 PLC ± - 3 PLC ± - 4 PLC ± - ANGLES ± -	CHK	NAME	
		APVD	HDMI FLAG CONNECTOR ASSEMBLY	
	FINISH	PRODUCT SPEC	SIZE CAGE CODE DRAWING NO RESTRICTED TO	
		APPLICATION SPEC	A1 00779 ©=2007435 -	
MATERIAL	FINISH	WEIGHT	CUSTOMER DRAWING	SCALE N/A SHEET 7 OF 9 REV D

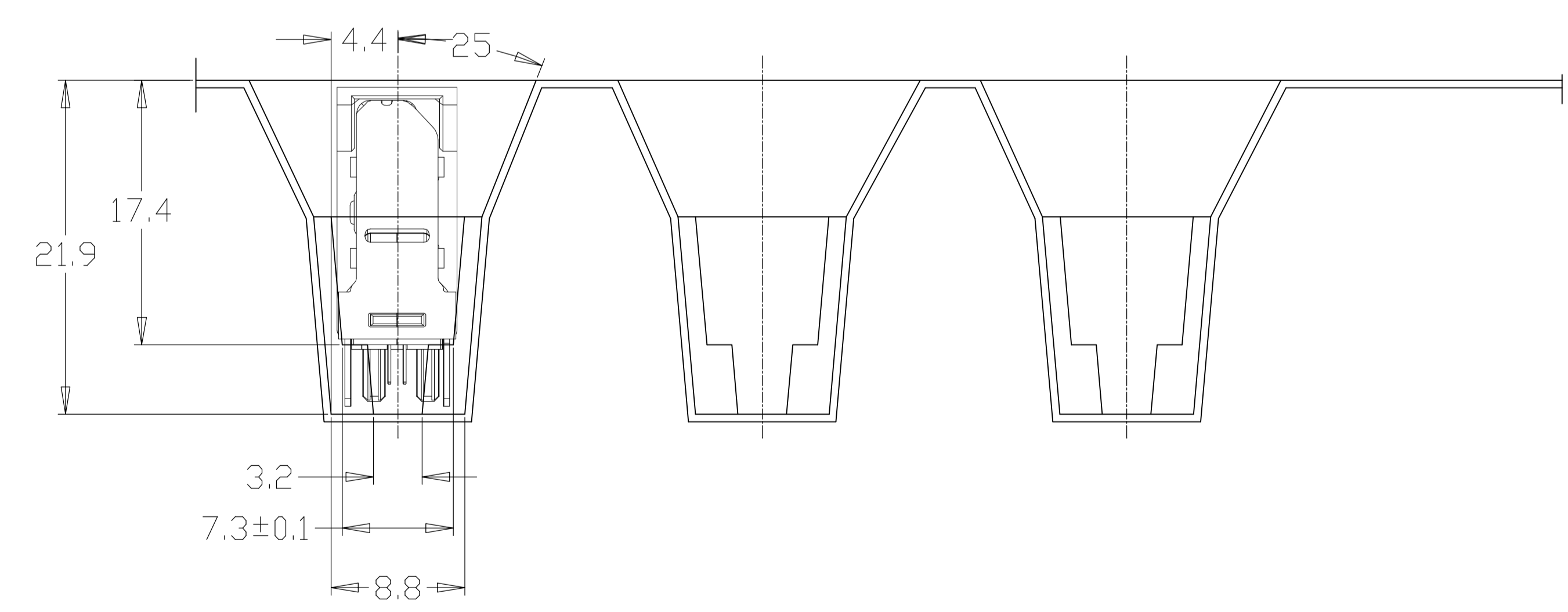
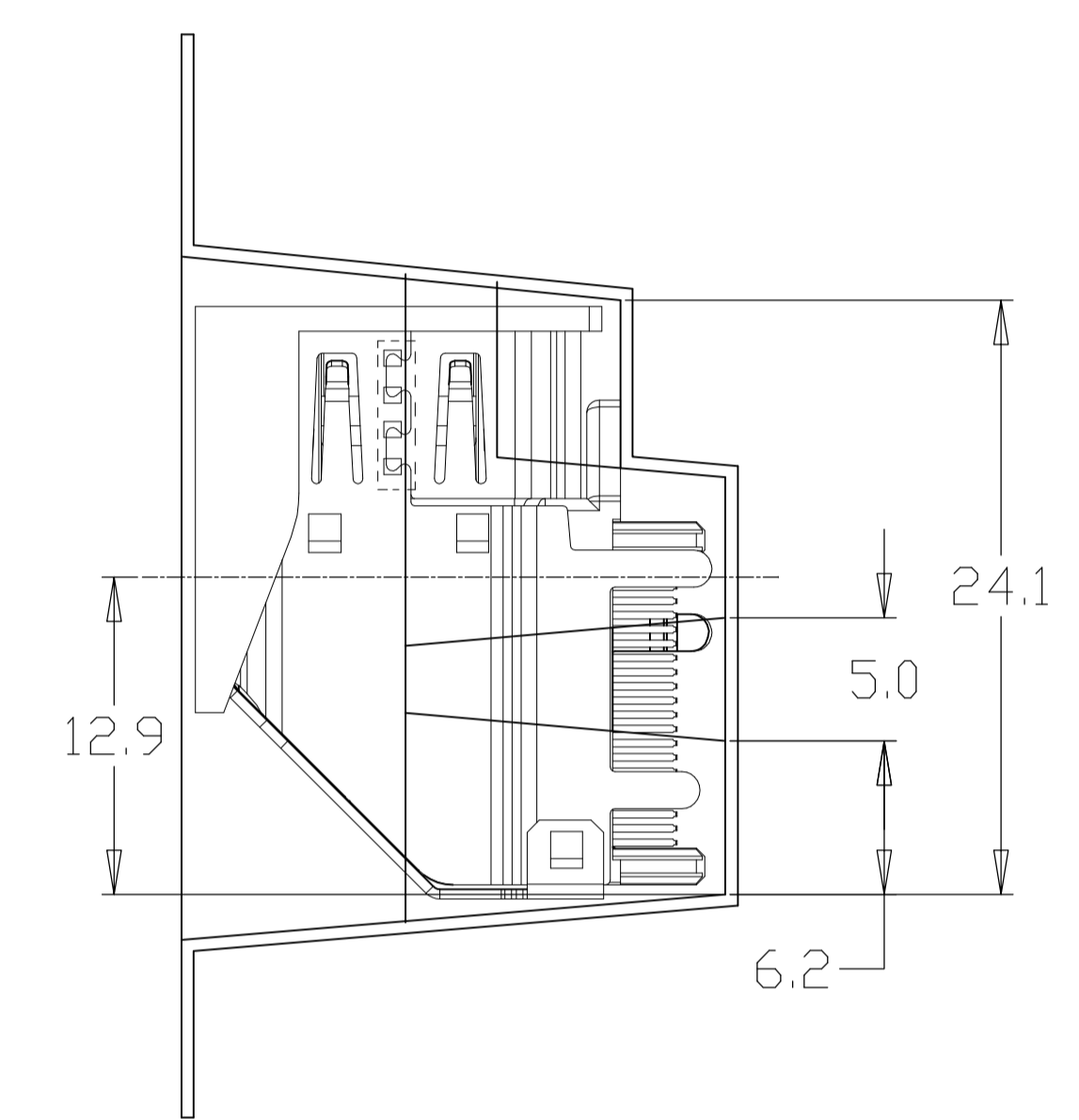
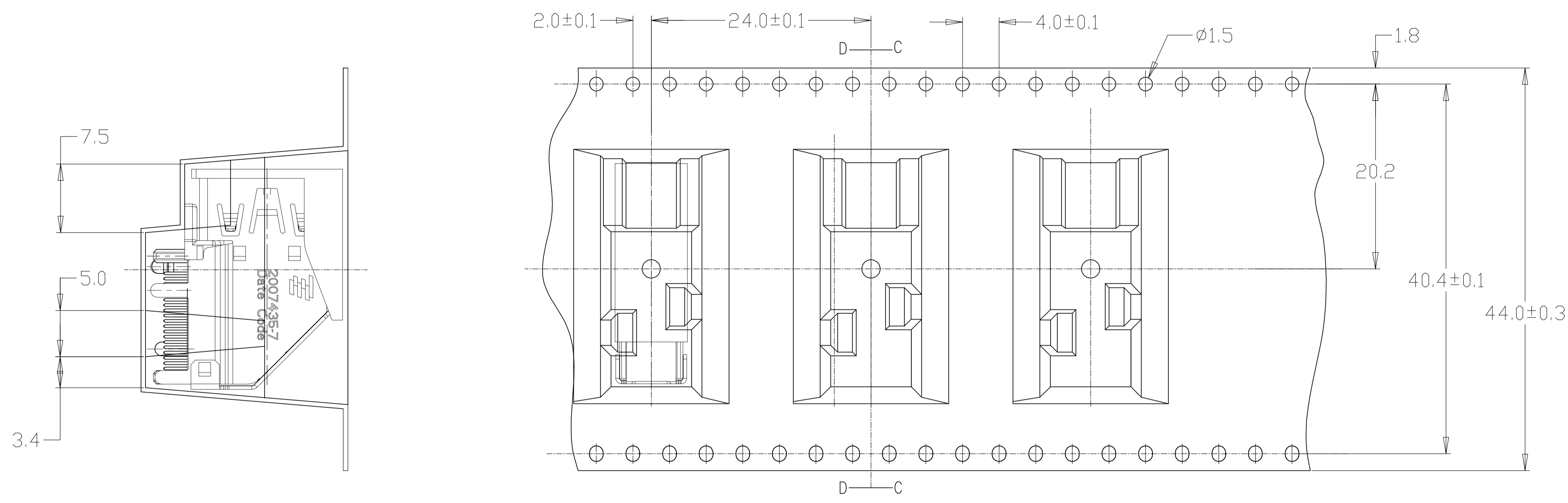
LOC		DIST		REVISIONS			
P	LTR	DESCRIPTION	DATE	DWN	APVD		
-	-	SEE SHEET 1	-	-	-	-	-



EMBOSS TAPE
FOR PART NUMBER 2007435-6

THIS DRAWING IS A CONTROLLED DOCUMENT.		DWN	TE Connectivity	
DIMENSIONS: mm		CHK	NAME	
TOLERANCES UNLESS OTHERWISE SPECIFIED:		APVD	HDMI FLAG CONNECTOR ASSEMBLY	
0. PLC	± 0.3	PRODUCT SPEC	-	
1. PLC	± 0.15	APPLICATION SPEC	-	
2. PLC	± 0.10	WEIGHT	-	
3. PLC	± 0.10	CUSTOMER DRAWING	-	
4. PLC	± 0.10	SCALE	N/A	
ANGLES	± -	SHEET	8 of 9	
FINISH	± -	REV	D	
MATERIAL		SIZE	A1 00779 ©=2007435	
		DRAWING NO	2007435	

LOC		DIST		REVISIONS			
P	LTR	DESCRIPTION	DATE	DNW	APVD		
-	-	SEE SHEET 1	-	-	-	-	-



EMBOSS TAPE
FOR PART NUMBER 2007435-7

THIS DRAWING IS A CONTROLLED DOCUMENT.		DIN	STE TE Connectivity	
DIMENSIONS: mm		CHK	NAME	
TOLERANCES UNLESS OTHERWISE SPECIFIED:		APVD	HDMI FLAG CONNECTOR ASSEMBLY	
0. PLC	± 0.3	PRODUCT SPEC	-	
1. PLC	± 0.15	APPLICATION SPEC	-	
2. PLC	± 0.10	SCALE	N/A	
3. PLC	± 0.10	WEIGHT	-	
4. PLC	± 0.10	CUSTOMER DRAWING	-	
ANGLES	± 0.10	SIZE	A1	
	±	CAGE CODE	00779	
		DRAWING NO	C=2007435	
		RESTRICTED TO	-	
		SHEET	9 of 9	
		REV	D	

Данный компонент на территории Российской Федерации

Вы можете приобрести в компании MosChip.

Для оперативного оформления запроса Вам необходимо перейти по данной ссылке:

<http://moschip.ru/get-element>

Вы можете разместить у нас заказ для любого Вашего проекта, будь то серийное производство или разработка единичного прибора.

В нашем ассортименте представлены ведущие мировые производители активных и пассивных электронных компонентов.

Нашей специализацией является поставка электронной компонентной базы двойного назначения, продукции таких производителей как XILINX, Intel (ex.ALTERA), Vicor, Microchip, Texas Instruments, Analog Devices, Mini-Circuits, Amphenol, Glenair.

Сотрудничество с глобальными дистрибьюторами электронных компонентов, предоставляет возможность заказывать и получать с международных складов практически любой перечень компонентов в оптимальные для Вас сроки.

На всех этапах разработки и производства наши партнеры могут получить квалифицированную поддержку опытных инженеров.

Система менеджмента качества компании отвечает требованиям в соответствии с ГОСТ Р ИСО 9001, ГОСТ РВ 0015-002 и ЭС РД 009

Офис по работе с юридическими лицами:

105318, г.Москва, ул.Щербаковская д.3, офис 1107, 1118, ДЦ «Щербаковский»

Телефон: +7 495 668-12-70 (многоканальный)

Факс: +7 495 668-12-70 (доб.304)

E-mail: info@moschip.ru

Skype отдела продаж:

moschip.ru

moschip.ru_4

moschip.ru_6

moschip.ru_9