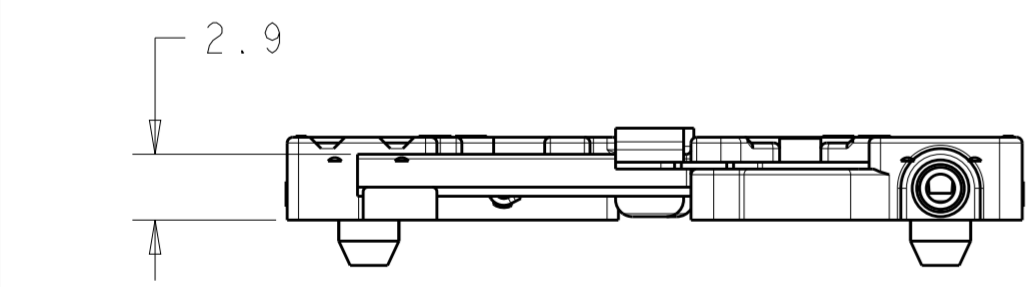
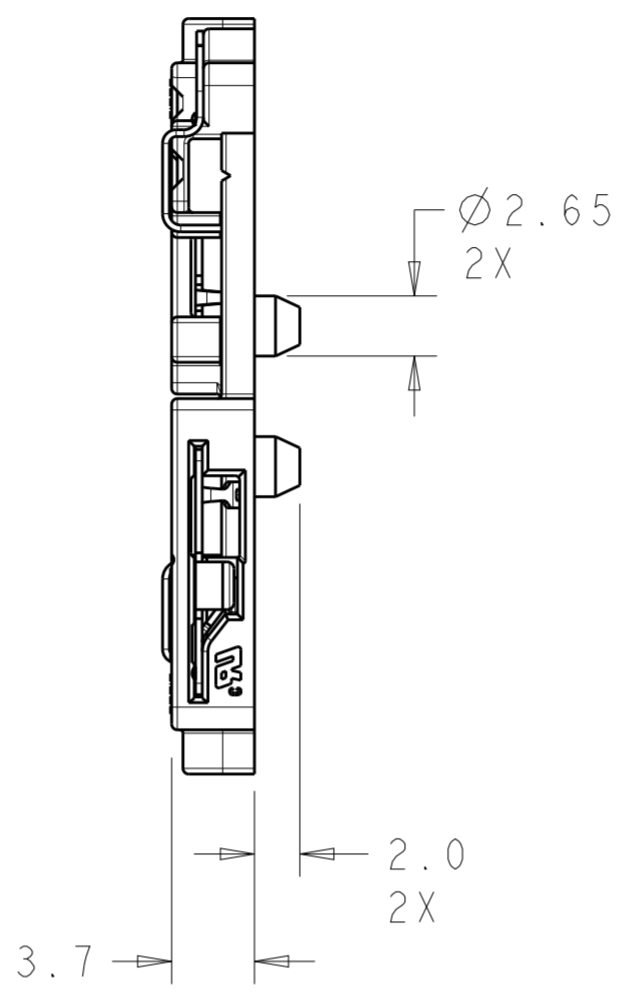
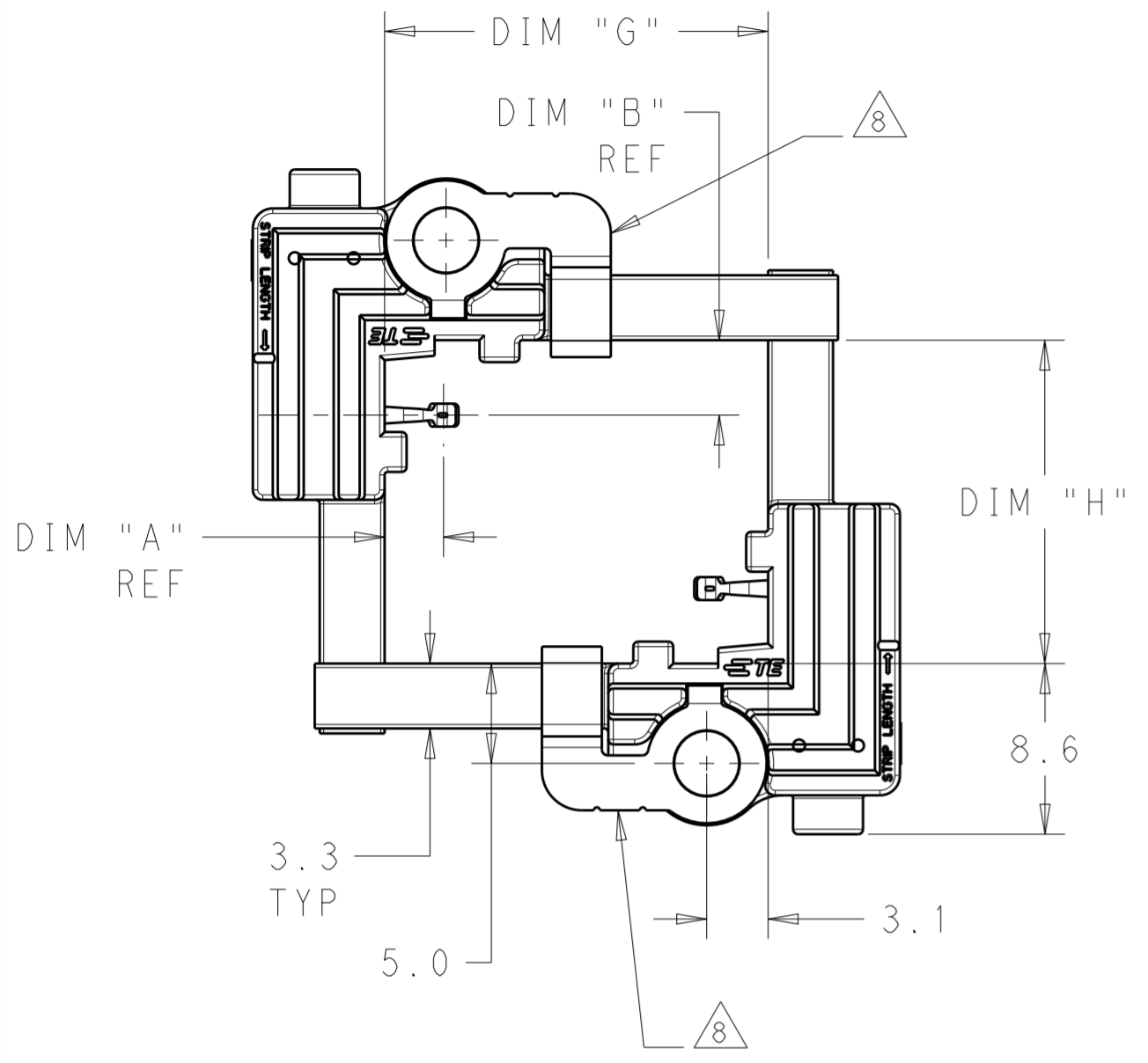


THIS DRAWING IS UNPUBLISHED. RELEASED FOR PUBLICATION 20  
 © COPYRIGHT 20 BY - ALL RIGHTS RESERVED.

| LOC |     | DIST        |           | REVISIONS |      |  |  |
|-----|-----|-------------|-----------|-----------|------|--|--|
| P   | LTR | DESCRIPTION | DATE      | DWN       | APVD |  |  |
|     | 4   | UPDATED     | 07DEC2012 | MM        | MM   |  |  |



- 1. MATERIALS AND FINISH:
  - HOUSING: PBT-GF, COLOR: NATURAL
  - CONTACTS: COPPER ALLOY
  - FINISH: SEE TABLE
  - THERMAL SPRING: STAINLESS STEEL
- 2. MUST COMPLY WITH DIRECTIVE 2002/95/EC (ROHS)
- 3. THIS PRODUCT HAS NOT COMPLETED VALIDATION TESTING
- 4. REFER TO LED MANUFACTURER'S DATASHEET FOR LED DIMENSIONS
- 5. REFER TO LED DATASHEET FOR RECOMMENDED THERMAL INTERFACE MATERIALS
- 6. RECOMMENDED SCREW SIZE: M3 OR #4. TORQUE SCREWS TO 2.5 in-lbf TO 4.0 in-lbf
- 7. WIRE TYPES AND SIZES ACCEPTED
  - 18, 20 AND 22 AWG SOLID WIRE
  - 18 AND 20 AWG PREBOND STRANDED WIRE
  - 18 AWG STRANDED WIRE (16 STRAND COUNT)
  - MAX INSULATION OD: 2.10 MM
  - STRIP LENGTH: 8.0±1.0
- 8. IN APPLICATIONS WHERE THE LED SUBSTRATE IS LESS THAN 1.50MM THICK A THERMAL SPRING IS REQUIRED. AS NOTED IN THE TABLE THE THERMAL SPRINGS WILL BE INSTALLED PRIOR TO SHIPMENT FROM THE TE FACTORY.

|                   |                  |       |       |       |       |                  |             |
|-------------------|------------------|-------|-------|-------|-------|------------------|-------------|
| CITIZEN CLL050    | YES              | 38.30 | 38.30 | 2.26  | 2.00  | GOLD OVER NICKEL | 6-2154874-4 |
| CITIZEN CLL040    | YES              | 28.30 | 28.30 | 2.26  | 2.00  | GOLD OVER NICKEL | 6-2154874-3 |
| CITIZEN CLL030    | YES              | 19.30 | 19.30 | 1.85  | 1.55  | GOLD OVER NICKEL | 6-2154874-2 |
| CITIZEN CLL020    | YES              | 13.80 | 13.80 | 1.85  | 1.55  | GOLD OVER NICKEL | 6-2154874-1 |
| CREE CXA25XX      | YES              | 24.15 | 24.15 | 2.26  | 2.00  | GOLD OVER NICKEL | 5-2154874-3 |
| CREE CXA15XX      | YES              | 16.15 | 16.15 | 2.26  | 2.00  | GOLD OVER NICKEL | 5-2154874-2 |
| CREE CXA2011      | NO               | 22.30 | 22.30 | 3.75  | 2.95  | TIN OVER NICKEL  | 5-2154874-1 |
| LED MFG AND MODEL | 8 THERMAL SPRING | DIM H | DIM G | DIM B | DIM A | CONTACT PLATING  | PART NUMBER |

THIS PRINT IS  
**PRELIMINARY**  
 UNQUALIFIED PRODUCT CONTACT PRODUCT ENGINEERING BEFORE USING THIS PRINT

THIS DRAWING IS A CONTROLLED DOCUMENT.

|                |  |                             |   |
|----------------|--|-----------------------------|---|
| DIMENSIONS: mm | TOLERANCES UNLESS OTHERWISE SPECIFIED: | DWN M. MOSTOLLER 22MAR2012  | TE Connectivity                             |
| 0 PLC ±        | 1 PLC ±0.2                             | CHK M. MOSTOLLER 22MAR2012  |   |
| 2 PLC ±0.13    | 3 PLC ±0.013                           | APVD M. MOSTOLLER 22MAR2012 |   |
| 4 PLC ±0.0001  | ANGLES ±                               | FINISH                      |   |
| MATERIAL       |  | PRODUCT SPEC 108-133005     | NAME ONE PIECE ASSEMBLY SCALABLE LED SOCKET |
|                |  | APPLICATION SPEC 114-32043  | SIZE CAGE CODE DRAWING NO RESTRICTED TO     |
|                |  | WEIGHT                      | A200779 C-2154874                           |
|                |  | CUSTOMER DRAWING            | SCALE 1:1 SHEET 1 OF 2 REV 4                |

THIS DRAWING IS UNPUBLISHED. RELEASED FOR PUBLICATION 20  
 © COPYRIGHT 20 BY - ALL RIGHTS RESERVED.

| LOC |     | DIST        |      | REVISIONS |      |  |  |
|-----|-----|-------------|------|-----------|------|--|--|
| P   | LTR | DESCRIPTION | DATE | DWN       | APVD |  |  |
| -   | -   | SEE SHEET 1 | -    | -         | -    |  |  |

DRILL AND TAP FOR M3 OR #4 MOUNTING HARDWARE 2 PLACES

DRILL  $\varnothing 2.75 \pm 0.05$  FOR ALIGNMENT POST 2 PLACES



CENTER OF LED PACKAGE

RECOMMENDED MOUNTING HOLE PATTERN

| LED TYPE              | LED DIMENSION $\triangle 4$ | DIM "C" | DIM "D" | DIM "E" | DIM "F" | RECOMMENED SOCKET PART NUMBER |
|-----------------------|-----------------------------|---------|---------|---------|---------|-------------------------------|
| CREE CXA2011          | 22.0 X 22.0                 | 8.05    | 16.15   | 6.15    | 14.15   | 5-2154874-1                   |
| CREE CXA15XX          | 15.85 X 15.85               | 4.98    | 13.08   | 3.08    | 11.08   | 5-2154874-2                   |
| CREE CXA25XX          | 23.85 X 23.85               | 8.98    | 17.08   | 7.08    | 15.08   | 5-2154874-3                   |
| CITIZEN CLL020 SERIES | 13.5 X 13.5                 | 3.80    | 11.90   | 1.90    | 9.90    | 6-2154874-1                   |
| CITIZEN CLL030 SERIES | 19.0 X 19.0                 | 6.55    | 14.65   | 4.65    | 12.65   | 6-2154874-2                   |
| CITIZEN CLL040 SERIES | 28.0 X 28.0                 | 11.05   | 19.15   | 9.15    | 17.15   | 6-2154874-3                   |
| CITIZEN CLL050 SERIES | 38.0 X 38.0                 | 16.05   | 24.15   | 14.15   | 22.15   | 6-2154874-4                   |

\*\*\*\* OTHER LED MODELS POSSIBLE AND REVIEWED UPON REQUEST \*\*\*\*

THIS PRINT IS  
**PRELIMINARY**  
 UNQUALIFIED PRODUCT  
 CONTACT PRODUCT ENGINEERING  
 BEFORE USING THIS PRINT

THIS DRAWING IS A CONTROLLED DOCUMENT.

|                |   |   |  |
|----------------|---|---|--|
| DIMENSIONS: mm | TOLERANCES UNLESS OTHERWISE SPECIFIED:<br>0 PLC ±<br>1 PLC ±0.2<br>2 PLC ±0.13<br>3 PLC ±0.013<br>4 PLC ±0.0001<br>ANGLES ±<br>FINISH | DWN M. MOSTOLLER 22MAR2012<br>CHK M. MOSTOLLER 22MAR2012<br>APVD M. MOSTOLLER 22MAR2012 | TE Connectivity<br>ONE PIECE ASSEMBLY<br>SCALABLE LED SOCKET |
| MATERIAL       |   | PRODUCT SPEC 108-133005<br>APPLICATION SPEC 114-32043<br>WEIGHT -<br>CUSTOMER DRAWING   |  |
|                |   | SIZE A200779  | DRAWING NO. C-2154874  |
|                |   | SCALE 2:1   | SHEET 2 OF 2 REV 4   |

## Данный компонент на территории Российской Федерации

### Вы можете приобрести в компании MosChip.

Для оперативного оформления запроса Вам необходимо перейти по данной ссылке:

<http://moschip.ru/get-element>

Вы можете разместить у нас заказ для любого Вашего проекта, будь то серийное производство или разработка единичного прибора.

В нашем ассортименте представлены ведущие мировые производители активных и пассивных электронных компонентов.

Нашей специализацией является поставка электронной компонентной базы двойного назначения, продукции таких производителей как XILINX, Intel (ex.ALTERA), Vicor, Microchip, Texas Instruments, Analog Devices, Mini-Circuits, Amphenol, Glenair.

Сотрудничество с глобальными дистрибьюторами электронных компонентов, предоставляет возможность заказывать и получать с международных складов практически любой перечень компонентов в оптимальные для Вас сроки.

На всех этапах разработки и производства наши партнеры могут получить квалифицированную поддержку опытных инженеров.

Система менеджмента качества компании отвечает требованиям в соответствии с ГОСТ Р ИСО 9001, ГОСТ РВ 0015-002 и ЭС РД 009

### Офис по работе с юридическими лицами:

105318, г.Москва, ул.Щербаковская д.3, офис 1107, 1118, ДЦ «Щербаковский»

Телефон: +7 495 668-12-70 (многоканальный)

Факс: +7 495 668-12-70 (доб.304)

E-mail: [info@moschip.ru](mailto:info@moschip.ru)

Skype отдела продаж:

moschip.ru

moschip.ru\_4

moschip.ru\_6

moschip.ru\_9