

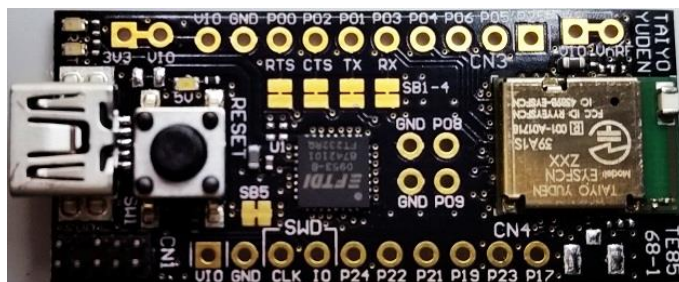
EVALUATION BOARD MANUAL

EBSGCN Series

EVALUATION KIT MANUAL

EKSGCN Series

for EYSGCN series Bluetooth[®] low energy Module



Introduction

This evaluation board is applicable for Taiyo Yuden's **Bluetooth® low energy** module, EYSGCN Series.



Serial UART interface and power supply are possible with one USB cable. And this board has the SWD connector terminal for software development.

Mounted module

EYSGCN (9.6mm x 12.9mm x 2.0mm_MAX)



Nordic nRF51822 / ARM® Cortex™-M0 32 bit processor
49-pin Land Grid Array / 29GPIOs / SWD

- Basic Module -

Taiyo Yuden writes firmware for S120 (EYSGCNZWY) SoftDevice to this product.
The user can develop unique application for the module.

Content

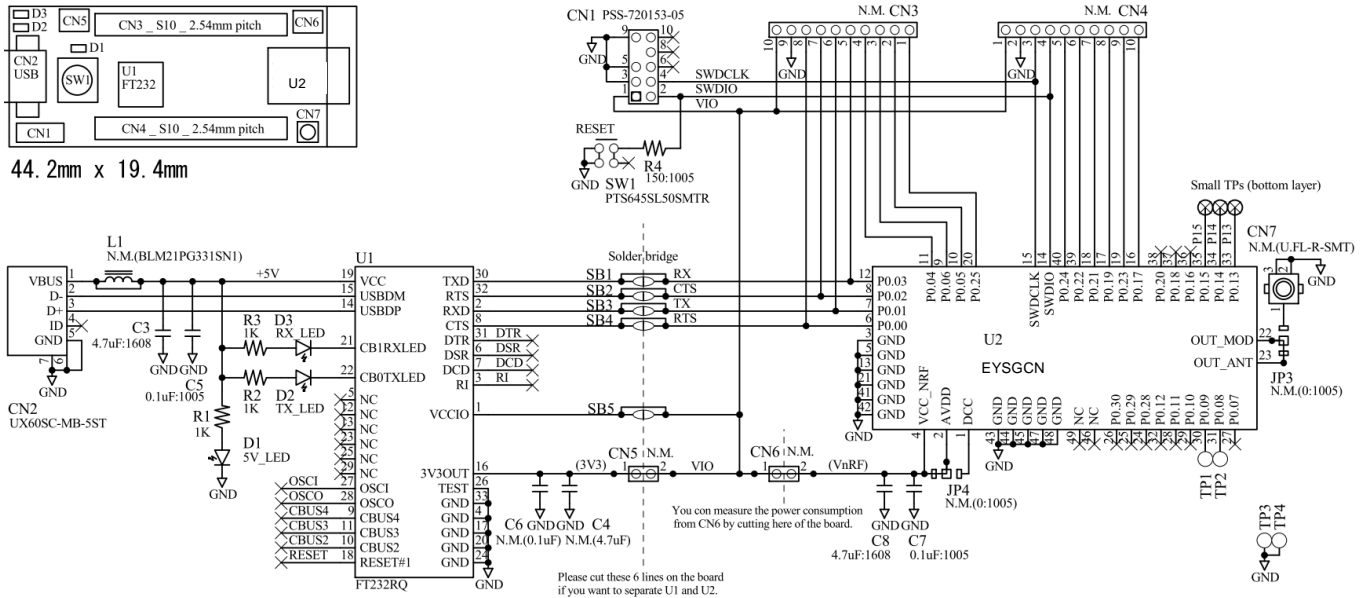
1	EBSGCN Series Evaluation Board	1 pc
2	J-Link Lite (EKSGCNZWY Only)	1 set



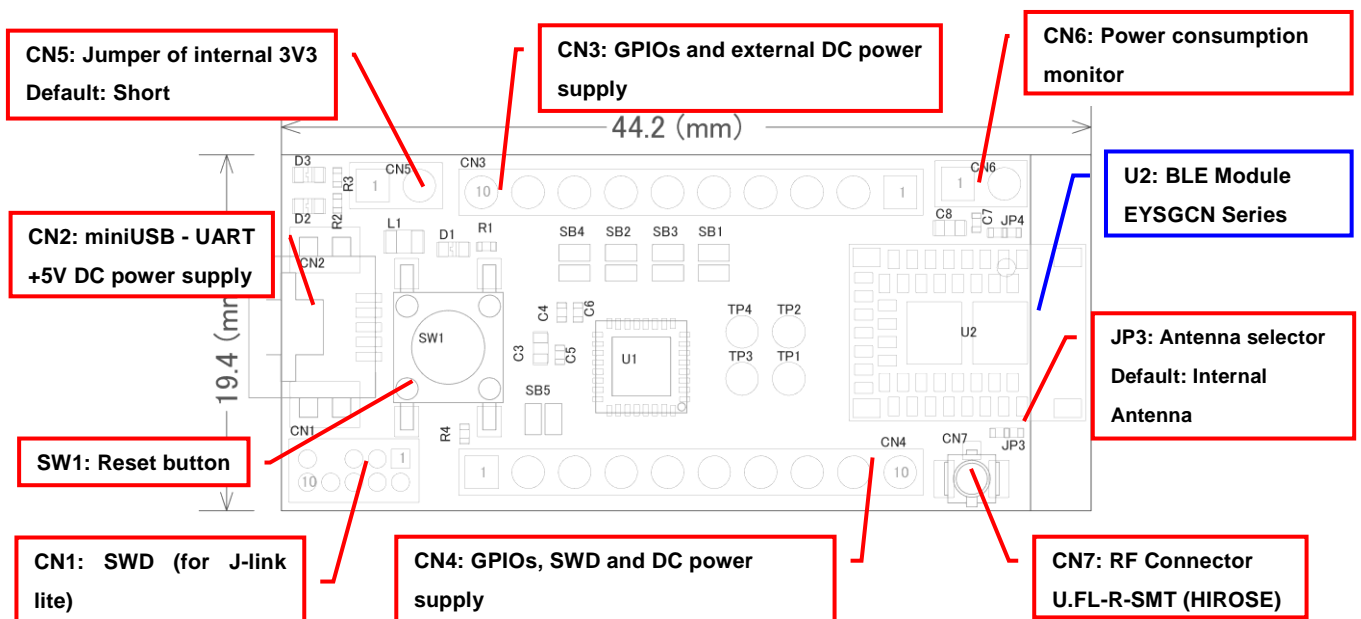
EBSGCN, EKSGCN

TAIYO YUDEN CO., LTD.

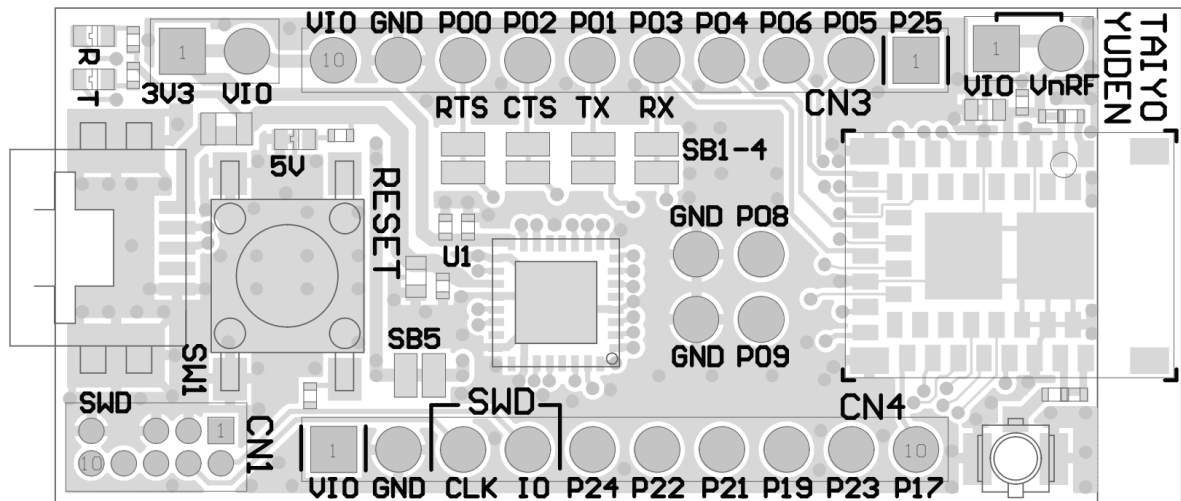
Evaluation board circuit schematic



Evaluation board layout



- 1) All pin headers are 2.54mm pitch. And distance between CN3 and CN4 is 15.24mm.
- 2) CN3-CN6, C4, C6, L1, JP3, JP4, SB1-5, TP1-4 are not mounted (N.M.).
- 3) D1 (LED): USB VBUS 5V LED Indicator
- 4) D2 (LED): UART TX Indicator
- 5) D3 (LED): UART RX Indicator
- 6) SW1 (Push button): Module Reset (active low)

Silkscreen PrintingPin Descriptions

Pin No.	CN3	CN4
1	P0.25	VIO
2	P0.05	GND
3	P0.06	SWDCLK
4	P0.04	SWDIO
5	P0.03	P0.24
6	P0.01	P0.22
7	P0.02	P0.21
8	P0.00	P0.19
9	GND	P0.23
10	VIO	P0.17

EBSGCN, EKSGCN

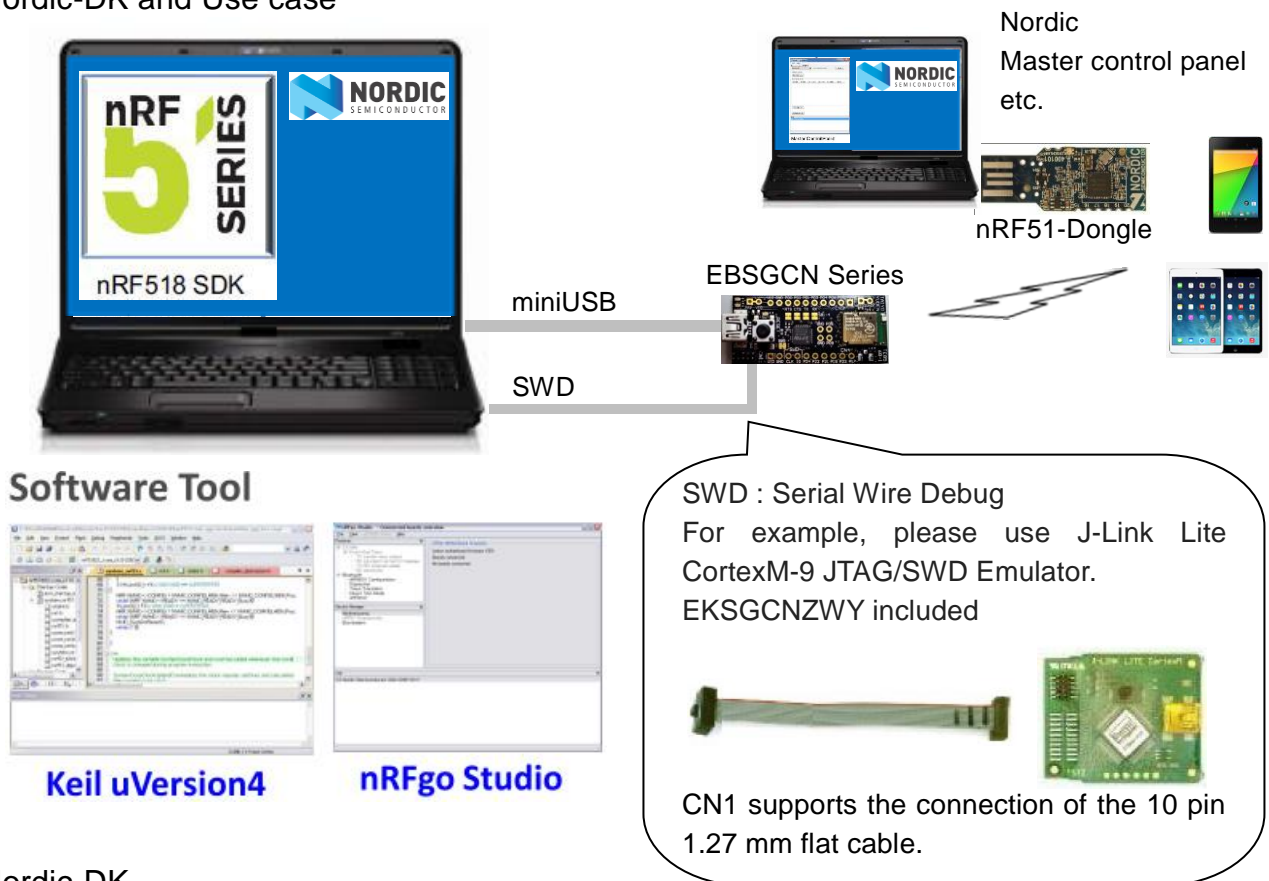
TAIYO YUDEN CO., LTD.

How to use

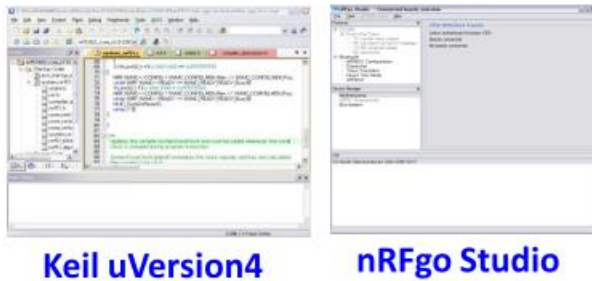
It is very easy just to tie this board to the PC with a USB cable. It is not necessary to change the setting of the board. The power supply of the module supplies by default 3.3V from 3V3OUT of FT232RQ.

For software development

Nordic-DK and Use case



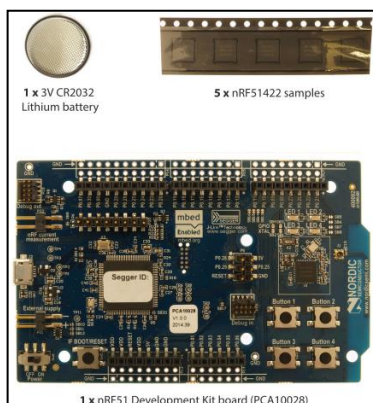
Software Tool



Nordic-DK

<http://www.nordicsemi.com/eng/Products/nRF51-DK>

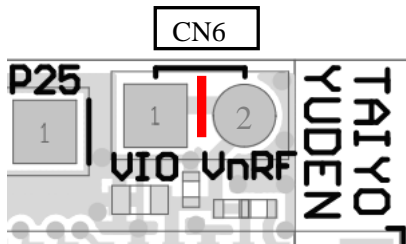
Nordic-nRF51DK



MEMO

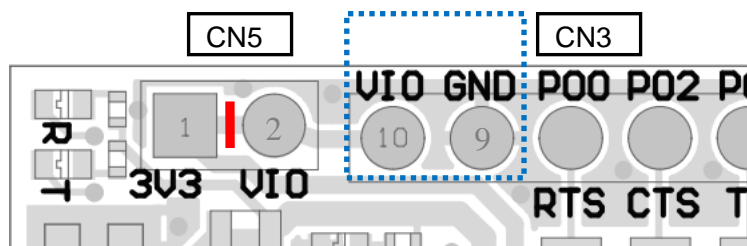
1) Current measurement

To measure the current, please cut the shorting 1pin and 2 pin of CN6. And connect an ampere-meter between the pins of connector CN6 to monitor the current directly.



2) About the power supply of the module

When you use external power supply, please supply power from 9pin and 10pin of CN3. On this configuration, you cut short circuit 1pin and 2pin of CN5 and should separate 3V3OUT of FT232RQ.



3) USB to serial UART interface

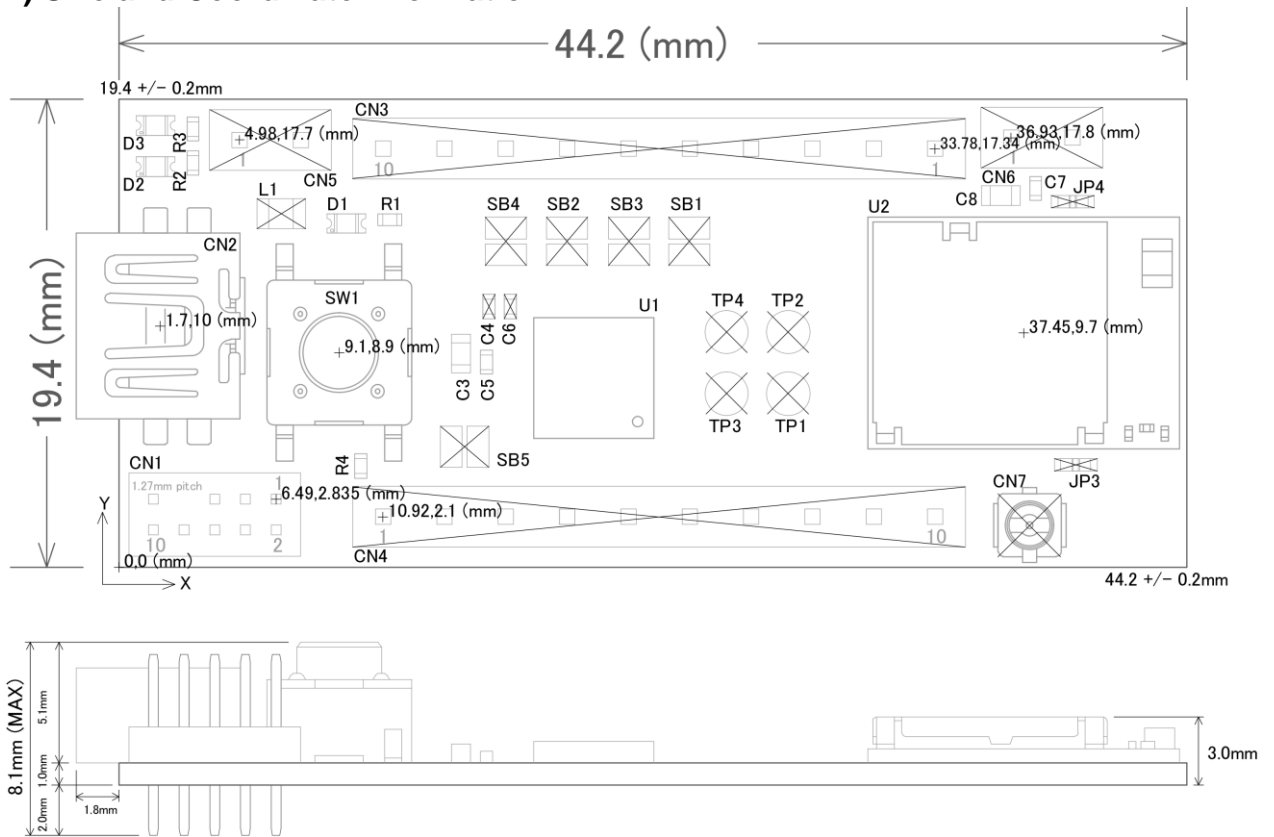
It needs to install driver of FT232RQ to use USB for UART interface. The drivers are available on FTDI website.

<http://www.ftdichip.com/Drivers/D2XX.htm>

In addition, by the application development, please assign GPIO as follows.

GPIO	UART
P0.00	RTS
P0.01	TX
P0.02	CTS
P0.03	RX

4) Size and Coordinate information



Important notes

The evaluation board included with the Nordic Development Kit uses a 16MHz clock. Therefore the sample code from Nordic is designed to be used with a 16MHz clock. On the other hand, the EYSGCN series module uses a 32MHz system clock, making it incompatible with the Nordic sample code (i.e. sample code does not configure HFCLK: XTALFREQ register for **32MHz**). To fix this issue, we need to write the value 0xFFFFFFFF to the UICR (User Information Configuration Register) at address 0x10001008. Please note that the UICR is erased whenever you download a SoftDevice.

The UICR can be written by using the debug tools:

```
nrfjprog.exe --snr <your_jlink_debugger_serial_number> --memwr 0x10001008 --val 0xFFFFFFFF
```

Or the following code can be added to the SystemInit function in the system_nRF51.c file, right before launching the TASK_HFCLKSTART task:

```
if (*(uint32_t *)0x10001008 == 0xFFFFFFFF)
{
    NRF_NVMC->CONFIG = NVMC_CONFIG_WEN_Wen << NVMC_CONFIG_WEN_Pos;
    while (NRF_NVMC->READY == NVMC_READY_READY_Busy){}
    *(uint32_t *)0x10001008 = 0xFFFFFFFF;
    NRF_NVMC->CONFIG = NVMC_CONFIG_WEN_Ren << NVMC_CONFIG_WEN_Pos;
    while (NRF_NVMC->READY == NVMC_READY_READY_Busy){}
    NVIC_SystemReset();
    while (true){}
}
```



TY's App or TY's App Lite Installation model

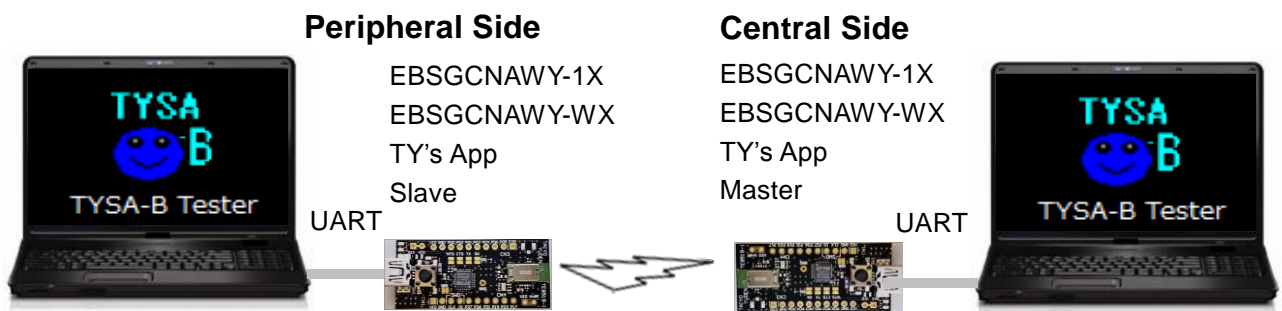
TY's App (Taiyo Yuden Standard Application for BLE)
BLE Embedded Software

EYSGCNA Series. (9.6mm x 12.9mm x 2.0mm_MAX)



Nordic nRF51822 / ARM® Cortex™-M0 32 bit processor

TY's App is installed.
Development of the application software in the module is unnecessary.



TY's App and TY's App Lite



TY's App



Данный компонент на территории Российской Федерации

Вы можете приобрести в компании MosChip.

Для оперативного оформления запроса Вам необходимо перейти по данной ссылке:

<http://moschip.ru/get-element>

Вы можете разместить у нас заказ для любого Вашего проекта, будь то серийное производство или разработка единичного прибора.

В нашем ассортименте представлены ведущие мировые производители активных и пассивных электронных компонентов.

Нашей специализацией является поставка электронной компонентной базы двойного назначения, продукции таких производителей как XILINX, Intel (ex.ALTERA), Vicor, Microchip, Texas Instruments, Analog Devices, Mini-Circuits, Amphenol, Glenair.

Сотрудничество с глобальными дистрибьюторами электронных компонентов, предоставляет возможность заказывать и получать с международных складов практически любой перечень компонентов в оптимальные для Вас сроки.

На всех этапах разработки и производства наши партнеры могут получить квалифицированную поддержку опытных инженеров.

Система менеджмента качества компании отвечает требованиям в соответствии с ГОСТ Р ИСО 9001, ГОСТ РВ 0015-002 и ЭС РД 009

Офис по работе с юридическими лицами:

105318, г.Москва, ул.Щербаковская д.3, офис 1107, 1118, ДЦ «Щербаковский»

Телефон: +7 495 668-12-70 (многоканальный)

Факс: +7 495 668-12-70 (доб.304)

E-mail: info@moschip.ru

Skype отдела продаж:

moschip.ru

moschip.ru_4

moschip.ru_6

moschip.ru_9