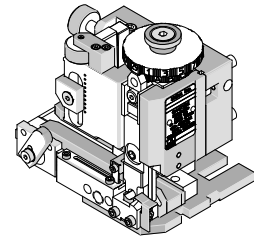


molex**Mini-Mac
Applicator****Application Tooling
Specification Sheet****Order No. 63888-1000****FEATURES**

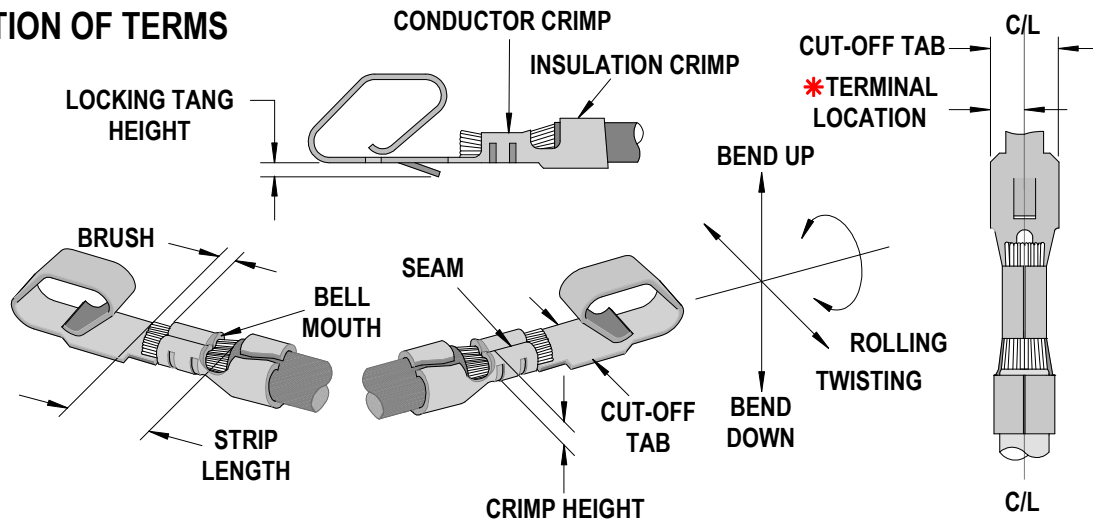
- Directly adapts to most automatic wire processing machines
- Applicator designed to industry standard mounting and shut height 135.80mm (5.346")
- Quick set-up time; plus the crimp height, track and feed adjustments can be set without removing the applicator from the press
- Fine adjustment allows users to achieve target with little effort by adjusting in increments of .015mm (.0006") for conductor crimp height and .063mm (.0025") for insulation height
- Independent adjustment rings allow users to quickly adjust the conductor or insulation crimp height without affecting each other
- Pilot pin in cut-off punch produces symmetrical cut-off tabs and consistent cut-off tab length, see terminal strip adjustment on page 3.

SCOPE

Products: Trifurcon™ Crimp Terminal, 22-26 AWG.

Terminal Series No.	Terminal Order No.				Wire Size		Insulation Diameter Maximum		Strip Length	
					AWG	mm ²	mm	In.	mm	In.
2578	08-50-0018	08-50-0061	08-50-0065	08-50-0107	22-26	0.35-0.12	1.65	.065	2.54-3.18	.100-.125
	08-50-0111	08-50-0133	08-50-0504	08-52-0116						
	08-55-0105	08-55-0121	08-55-0123	08-56-0107						
	08-56-0121	08-56-0161	08-56-0162	08-58-0125						
	08-59-0101	08-60-0003	08-65-0108	08-65-0110						
	08-65-0116	40-01-0117	40-07-1105	50-29-1767						
	50-29-1877									
7258	08-04-0001	08-50-0183	08-52-0124	08-56-0123	22-26	0.35-0.12	1.65	.065	2.54-3.18	.100-.125
	08-56-0181	08-58-0133	08-65-0121	08-65-0126						

DEFINITION OF TERMS



* Terminal is to be centrally located between the two (2) cut-off tab edges by one half of the total cut-off tab tolerance.

CRIMP SPECIFICATIONS

Terminal Series No.	Bell mouth (Ref)		*Cut-off Tab		Conductor Brush Maximum (Ref)	
	mm	In.	mm	In.	mm	In.
2578	0.08-0.48	.003-.019	2.64-2.80	.104-.110	1.00	.039
7258	0.08-0.48	.003-.019	2.64-2.80	.104-.110	1.00	.039

Terminal Series No.	Locking Tang Height		Bend up Bend down	Twist	Roll	Punch Width (Ref)				Seam	
	mm	In				Degree		Degree			Conductor Insulation
2578	0.64-0.76	.025-.030					1.55	.061	1.95	.077	Seam shall not be open and no wire allowed out of the crimping area
7258	0.63-0.79	.025-.031					1.55	.061	1.95	.077	

NOTE: Some of the specifications in these charts above are intentionally left blank due to the fact that the information does not currently exist.

After crimping, the conductor profile should measure the following.

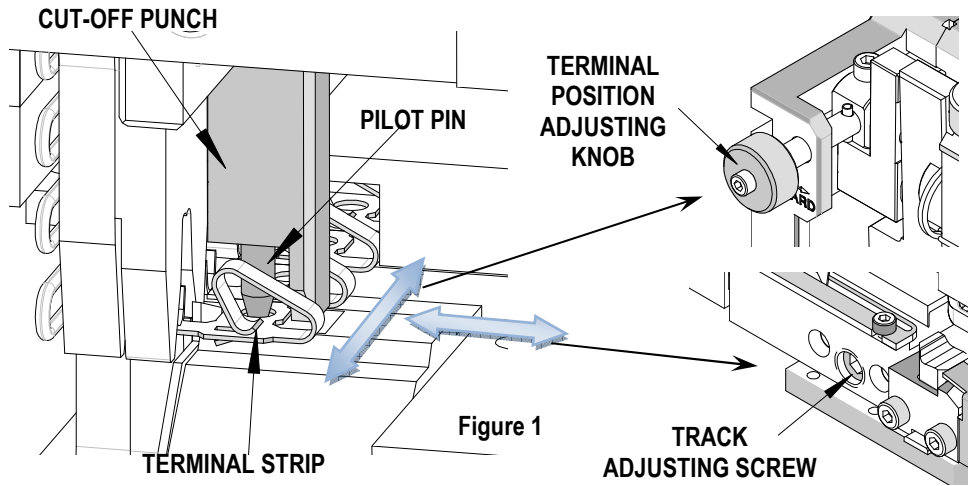
Terminal Series No.	Wire Size		Crimp Height		Crimp Width (Ref)		Pull Force Minimum	
	AWG	mm ²	mm	In.	mm	In.	N	Lb.
2578	22	0.35	0.96-1.01	.038-.040	1.56	.061	44.48	10.0
	24	0.20	0.91-0.96	.036-.038	1.56	.061	35.59	8.0
	26	0.12	0.86-0.91	.034-.036	1.56	.061	26.69	6.0
7258	22	0.35	0.96-1.01	.038-.040	1.56	.061	44.48	10.0
	24	0.20	0.91-0.96	.036-.038	1.56	.061	35.59	8.0
	26	0.12	0.86-0.91	.034-.036	1.56	.061	26.69	6.0

Tool Qualification Notes:

1. Pull Force should be measured with no influence from the insulation crimp.
2. The above specifications are guidelines to an optimum crimp.

Terminal Strip Adjustment

The terminal strip hole must be aligned to the pilot pin before crimping under power. Hand cycle the press several times to check the alignment of the pilot pin to the terminal strip hole before crimping under power. Use the track adjusting screw and the terminal position adjusting knob to align the terminal strip hole to the pilot pin.



PARTS LIST

Mini-Mac Applicator 63888-1000				
Item	Order No	Engineering No.	Description	Quantity
Perishable Tooling				
	63888-1070	63888-1070	Tool Kit (All "Y" Items)	REF
1	11-18-4114	60712-14	Conductor Punch	1 Y
2	11-18-4115	60712-15	Conductor Anvil	1 Y
3	11-18-4113	60712-13	Insulation Punch	1 Y
4	11-18-4116	60712-16	Insulation Anvil	1 Y
5	63820-0038	63820-0038	Cut-Off Punch	1 Y
6	11-18-4470	60712-24	Cut-Off Insert	1 Y
Other Components				
7	11-18-4006	60703-8	Stripper Blade Holder	1
8	11-18-4103	60712-3	Cover Plate	1
9	11-18-4106	60712-6	Insulation Punch Spacer	1
10	11-18-4332	60703-16	Stripper	1
11	11-18-4471	60712-25	Retainer Block	1
12	11-18-5015	60805A122	Front Cover	1
13	11-40-4085	8301-10	Terminal Stop and Scrape Shield	1
14	63803-5119	63803-5119	Conductor Bushing	1
15	63820-0012	63820-0012	Cover-Drag Frame	1
16	63600-4664	63600-4664	Compression Spring	2
Frame				
17	63801-3201	63801-3201	Top	1
18	63801-3283	63801-3283	Base	1
19	63801-6950	63801-6950	Track	1
Hardware				
20	N/A	N/A	M3 by 6 Long SHCS	4**
21	N/A	N/A	M4 by 6 Long SHCS	2**
22	N/A	N/A	M4 by 12 Long BHCS	2**
23	N/A	N/A	M5 by 10 Long SHCS	1**
24	N/A	N/A	M8 by 20 Long BHCS	1**
25	N/A	N/A	#4-40 by 5/8" Long SHCS	2**
26	N/A	N/A	#6-32 by 3/8" Long BHCS	2**
27	N/A	N/A	#10-32 by 1.120" Long SHCS	1**

** Available from an industrial supply company such as MSC (1-800-645-7270).

Assembly Drawing

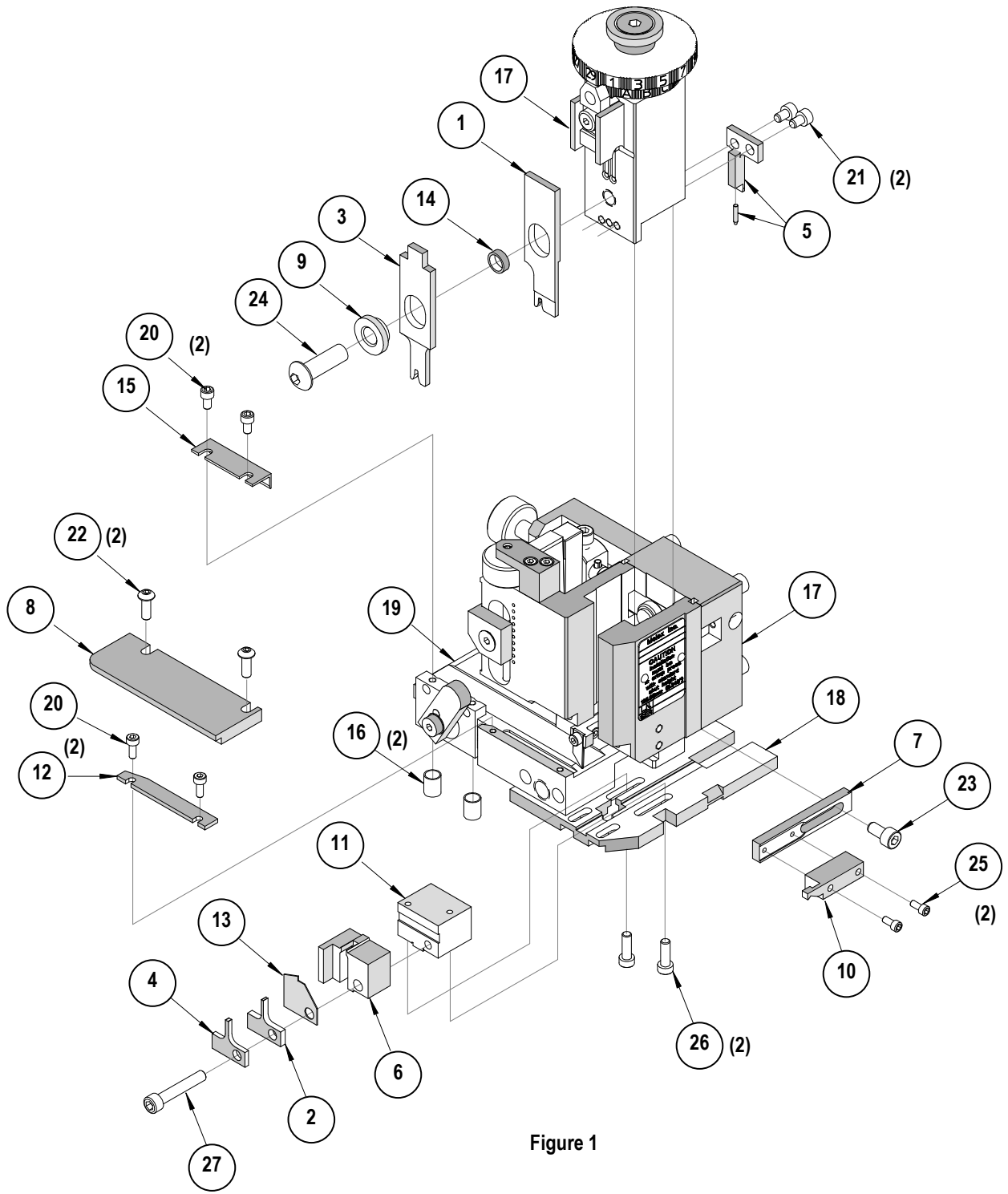


Figure 1

NOTES

1. Molex recommends an extra perishable tooling kit be maintained at your facility.
2. Verify tooling alignment by manually cycling the press and Applicator before crimping under power. Check that all screws are tight.
3. Slugs, Terminals, Dirt and Oil should be kept clear of work area.
4. Wear safety glasses at all times.
5. For recommended maintenance refer to the Mini-Mac Manual.

CAUTION: This applicator should only be used in a press with a shut height of 135.8 mm (5.346"). Tooling damage could result at a lower setting.

CAUTION: To prevent injury never operate this Applicator without the guards supplied with the press or wire-processing machine in place. Reference the press or wire processing manufacturer's instruction manual.

CAUTION: Molex crimp specifications are valid only when used with Molex terminals, applicators and tooling.

<http://www.molex.com>

Данный компонент на территории Российской Федерации

Вы можете приобрести в компании MosChip.

Для оперативного оформления запроса Вам необходимо перейти по данной ссылке:

<http://moschip.ru/get-element>

Вы можете разместить у нас заказ для любого Вашего проекта, будь то серийное производство или разработка единичного прибора.

В нашем ассортименте представлены ведущие мировые производители активных и пассивных электронных компонентов.

Нашей специализацией является поставка электронной компонентной базы двойного назначения, продукции таких производителей как XILINX, Intel (ex.ALTERA), Vicor, Microchip, Texas Instruments, Analog Devices, Mini-Circuits, Amphenol, Glenair.

Сотрудничество с глобальными дистрибьюторами электронных компонентов, предоставляет возможность заказывать и получать с международных складов практически любой перечень компонентов в оптимальные для Вас сроки.

На всех этапах разработки и производства наши партнеры могут получить квалифицированную поддержку опытных инженеров.

Система менеджмента качества компании отвечает требованиям в соответствии с ГОСТ Р ИСО 9001, ГОСТ РВ 0015-002 и ЭС РД 009

Офис по работе с юридическими лицами:

105318, г.Москва, ул.Щербаковская д.3, офис 1107, 1118, ДЦ «Щербаковский»

Телефон: +7 495 668-12-70 (многоканальный)

Факс: +7 495 668-12-70 (доб.304)

E-mail: info@moschip.ru

Skype отдела продаж:

moschip.ru

moschip.ru_4

moschip.ru_6

moschip.ru_9