

# Subminiature, Waterproof Duplex Fiber Optic Connectors

MF10B Series

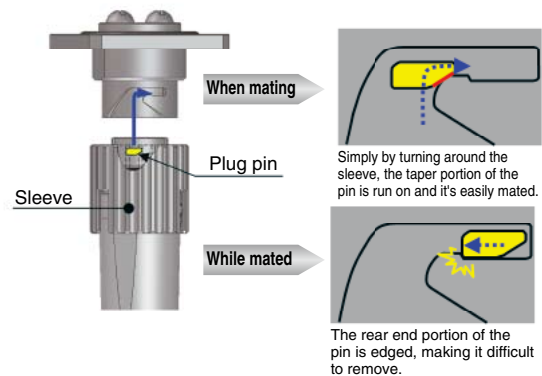
Waterproof

2pos.

Bayonet lock



## Highly reliable bayonet lock.



## ■ Features

### 1. Micro miniature structure

This micro miniature twin-core waterproof connector consists of a  $\phi 1.25\text{mm}$  MU ferrule encased in an internal housing and shell.

### 2. Integrated structure with excellent vibration and shock resistance

The bayonet lock assures connectors are easily and firmly mated. In addition, mating design resists disengagement, resulting in excellent resistance to vibration and shock, conforming to JIS E 4031 type 5 (vibration) and JIS E 4032 type 2 (shock) for railcar parts.

### 3. Excellent compatibility with high-intensity, high flexible cables.

For the plug side, a high-intensity optical fiber cable is available for military spec (external cable diameter  $\phi 5$  or  $\phi 6.5$  mm is the standard specification.)

This cable is light, flexible and suitable for long distance link-ups in outdoor events.

Because of light weight and flexibility, the cable is suitable for long distance extension cable for live broadcast at outdoor events.

\* For other cables, please consult factory.

### 4. Structure with a cleanable ferrule end face

When cleaning the plug ferrule, remove the sleeve from the front to expose the ferrule edge face and thus facilitate cleaning.

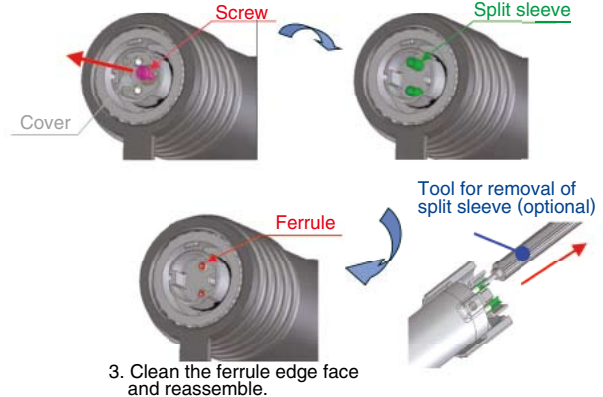
### 5. Varied panel mounting options

Square flange mounting with 4 screws in 4 positions and internal attachment via hexagon nuts are possible. The square flange type with 4 screws can be used for pitches between between 18 and 20mm.

## Ferrule with easy-clean structure

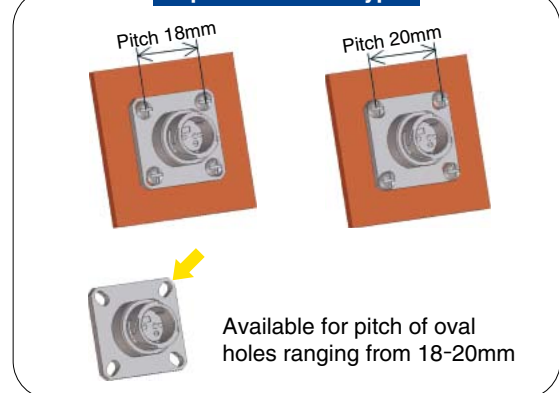
1. Loosen screw and remove cover

2. Remove split sleeve

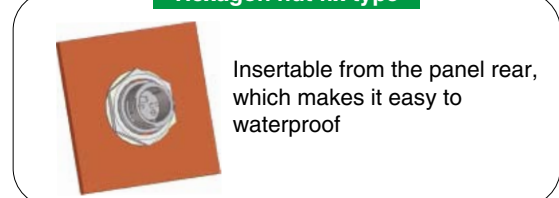


## Varied panel attachment method

### 4-point screw fix type



### Hexagon nut fix type



## ■ Specifications

Ratings		Operating Temperature Range	-40°C to +85°C	Storage Temperature Range	-25°C to +75°C (at packing)
Item		Test Method		Requirements	
Optical characteristics	Insertion loss	SM	Wavelength 1310±30nm(LD)	1.0 dB MAX. (Typical 0.2 dB)	
		MM(GI)	Wavelength 1310±30nm(LED)	0.5 dB MAX. (Typical 0.1 dB) (Note)	
	Return loss	SM	Wavelength 1310±30nm(LD)	40 dB min.	
		MM(GI)		22 dB min.	
Mechanical characteristics	Durability (mating/un-mating)		5,000 times	1) Insertion loss fluctuation after test:0.3dB max. 2) No visible damage or components dislocation.	
	Tensile strength(axial)		A tensile force to cable axially for at 200N(Cable Dia: φ6.5mm), 100N(Cable Dia: φ5mm), 400N(Cable with tension member)	Insertion loss range:≤0.3dB No Looseness, breakage, cracks	
	Flex Resistant		10,000 times at 90 degree, right and left direction.		
	Vibration		2 hours of the right and left, 4 hours of the vertical direction at an amplitude of 2.3mm and an acceleration 14.8G.		
	Shock		4 times and 2 directions with the acceleration 88m/s <sup>2</sup> and length of effectiveness 0.025s.		
Environmental characteristics	Humidity (Temperature/humidity-cycles)		-10°C to +65°C, humidity: 90% to 96%, 240hours. (24H/cycle×10cycle)	1) Insertion loss fluctuation after test:0.3dB max. 2) No visible damage or components dislocation.	
	Temperature cycle		-40°C to +75°C, 42 cycles		
	Dry heat		240 hours at +85°C		
	Cold		240 hours at -40°C		
	Salt mist		Salt mist :5% and temperature 35°C for 1000hours. With the connector hood installed.	No corrosion.	
	Water resistance(mating)		Put the product under water for 1min.With air pressure 4.9kPa.	No air leakage.	

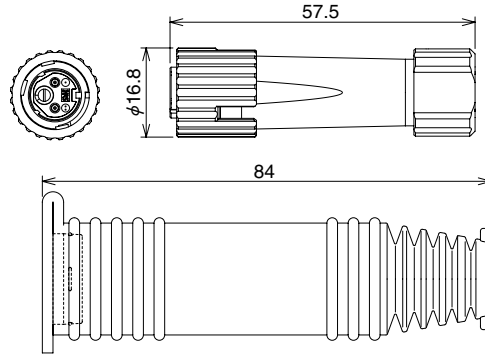
Note: Measured with a 1.5 dB Mode scrambler.

## ■ Material and Finish

Part	Material	Finish	Remarks
Housing	Zinc die-casting	Nickel plated / Chrome plated (Black)	——
Stopper	Synthetic resin	——	UL94V-0
Rubber hood	Synthetic rubber	——	——
Spring	Piano wire	Zinc plated	——
Split sleeve	Zirconia	——	——

## ■ Plug

### ● Cable without tension member (Cable dia: 5mm, 6.5mm)



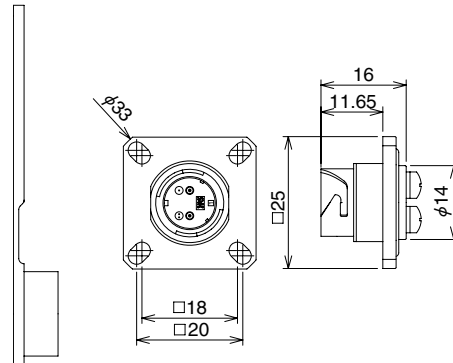
Part Number	CL No.	Plating
MF10B-WP5C01-0200	709-1020-8-00	Nickel
MF10B-WP5CH01-0200	709-1015-8-00	Chrome(black)
MF10B-WP6.5C01-0200	709-1004-1-00	Nickel
MF10B-WP6.5CH01-0200	709-1007-0-00	Chrome(black)

### ● Cable with tension member (Cable dia: 7 mm)

Part Number	CL No.	Plating
MF10B-WPS7C01-0200	709-1018-6-00	Nickel
MF10B-WPS7CH01-0200	709-1024-9-00	Chrome(black)

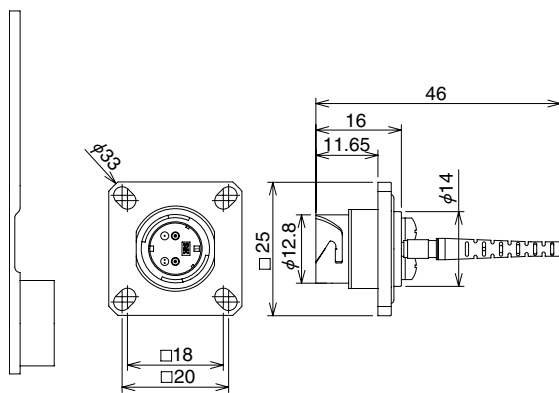
## ■ Receptacle

### ● φ0.9 fiber, M3 screw attachment type



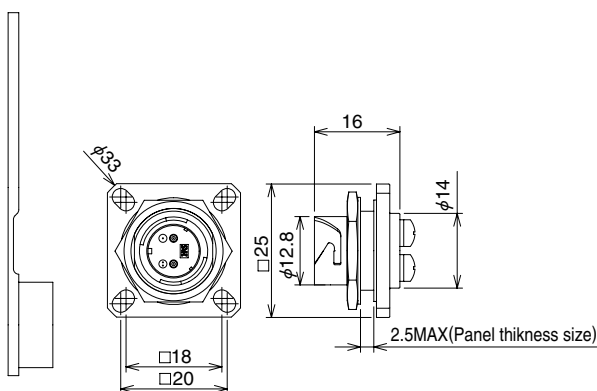
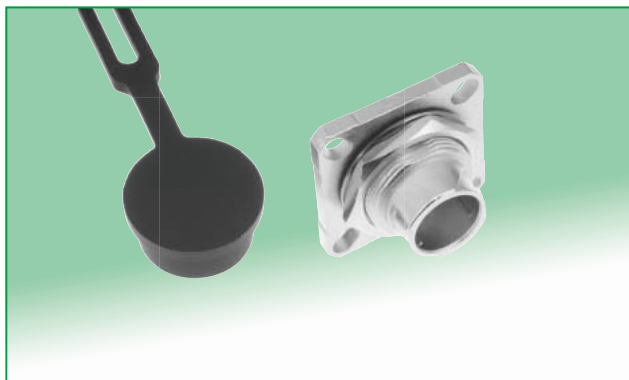
Part Number	CL No.	Plating
MF10B-WRF01-0200	709-1005-4-00	Nickel
MF10B-WRFH01-0200	709-1008-2-00	Chrome(black)

●  $\phi 2$  code, M3 screw attachment type



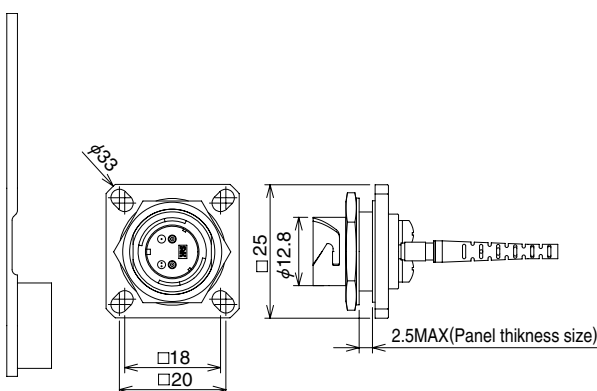
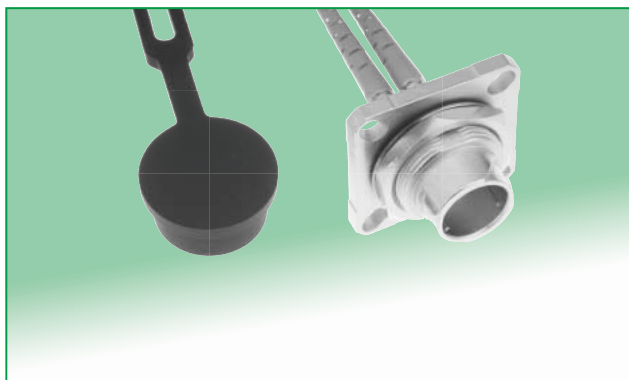
Part Number	CL No.	Plating
MF10B-WRFC01-0200	709-1014-5-00	Nickel
MF10B-WRFCH01-0200	709-1032-7-00	Chrome(black)

●  $\phi 0.9$  fiber, hexagon nut attachment type



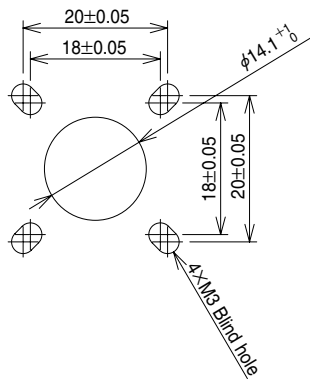
Part Number	CL No.	Plating
MF10B-WRB01-0200	709-1010-4-00	Nickel
MF10B-WRBH01-0200	709-1025-1-00	Chrome(black)

●  $\phi 2$  code, hexagon nut attachment type

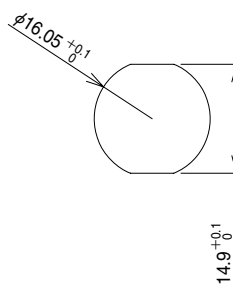


Part Number	CL No.	Plating
MF10B-WRBC01-0200	709-1013-2-00	Nickel
MF10B-WRBCH01-0200	709-1033-0-00	Chrome(black)

## ■ Recommended panel cutouts



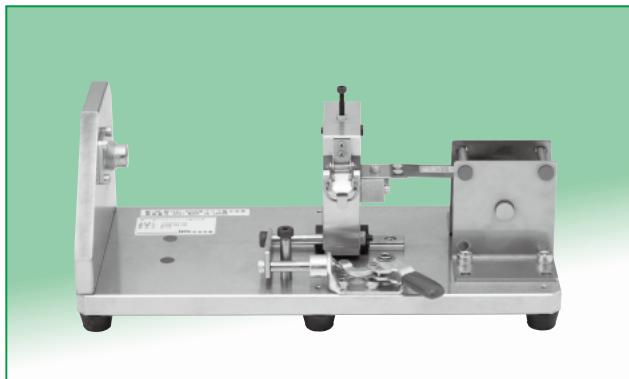
M3 screw attachment type



Hexagon nut attachment type

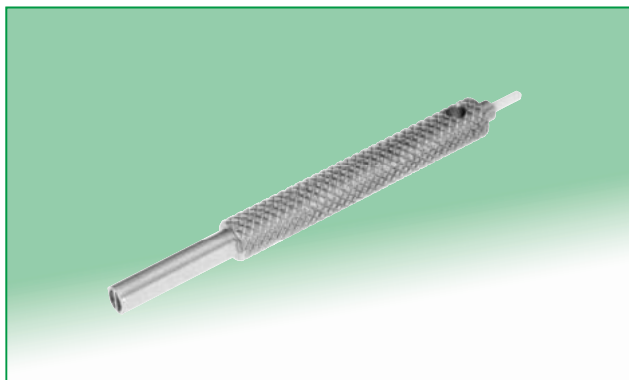
## ■ Tools

### ● Plug assembly tool



Part Number	CL No.
MF10B-WP7C01-0200/CVMD	902-6063-0-00

### ● Split sleeve removal tool



Part Number	CL No.
MF10B-T1	709-1034-2-00

**USA:**

**HIROSE ELECTRIC (U.S.A.), INC. Headquarters**

2688 Westhills Court, Simi Valley, CA 93065-6235  
Phone : +1-805-522-7958  
Fax : +1-805-522-3217  
<http://www.hiroseusa.com>

**USA:**

**HIROSE ELECTRIC (U.S.A.), INC. San Jose Office**

20400 Stevens Creek Blvd., Ste 250, Cupertino,  
CA 95014  
Phone : +1-408-253-9640  
Fax : +1-408-253-9641  
<http://www.hiroseusa.com>

**USA:**

**HIROSE ELECTRIC (U.S.A.), INC. Detroit Office (Automotive)**

37677 Professional Center Drive, Suite #100C  
Livonia, MI 48154  
Phone : +1-734-542-9963  
Fax : +1-734-542-9964  
<http://www.hiroseusa.com>

**THE NETHERLANDS:**

**HIROSE ELECTRIC EUROPE B.V.**

Hogehillweg #8 1101 CC Amsterdam Z-0  
Phone : +31-20-6557460  
Fax : +31-20-6557469  
<http://www.hiroseeurope.com>

**GERMANY:**

**HIROSE ELECTRIC EUROPE B.V. GERMAN BRANCH**

Herzog-Carl-Strasse 4 D-73760 Ostfildern  
(Scharnhauser Park)  
Phone : +49-711-4560-02-1  
Fax : +49-711-4560-02-299  
<http://www.hirose.de>

**UNITED KINGDOM:**

**HIROSE ELECTRIC EUROPE B.V. UK BRANCH**

First Floor, St Andrews House, Caldecotte Lake  
Business Park, Milton Keynes MK7 8LE  
Phone : +44-1908-369060  
Fax : +44-1908-369078  
<http://www.hirose.co.uk>

**CHINA:**

**HIROSE ELECTRIC (SHANGHAI) CO., LTD.**

1601, Henderson Metropolitan, NO.300, East Nanjing  
Road, Huangpu District, Shanghai, China 200001  
Phone : +86-21-6391-3355  
Fax : +86-21-6391-3335  
<http://www.hirose-china.com.cn>

**CHINA:**

**HIROSE ELECTRIC (SHANGHAI) CO., LTD. BEIJING BRANCH**

A1001, Ocean International Center, Building 56# East 4th  
Ring Middle Road, Chao Yang District, Beijing, 100025  
Phone : +86-10-5165-9332  
Fax : +86-10-5908-1381  
<http://www.hirose-china.com.cn>

**CHINA:**

**HIROSE ELECTRIC TECHNOLOGIES (SHENZHEN) CO., LTD.**

Room 09-13, 19/F, Office Tower Shun Hing Square, Di Wang Commercial Centre  
5002, ShenNanDong Road, ShenZhen City, Guangdong Province, 518008  
Phone : +86-755-8207-0851  
Fax : +86-755-8207-0873  
<http://www.hirose-china.com.cn>

**HONG KONG:**

**HIROSE ELECTRIC HONGKONG TRADING CO., LTD.**

Room 1001, West Wing, Tsim Sha Tsui Centre, 66  
Mody Road, Tsim Sha Tsui East, Kowloon, Hong Kong  
Phone : +852-2803-5338  
Fax : +852-2591-6560  
<http://www.hirose-hongkong.com.hk>

**TAIWAN:**

**HIROSE ELECTRIC TAIWAN CO., LTD.**

103 8F, No.87, Zhengzhou Rd., Taipei  
Phone : +886-2-2555-7377  
Fax : +886-2-2555-7350  
<http://www.hirose-taiwan.com.tw>

**KOREA:**

**HIROSE KOREA CO., LTD.**

1261-10, Jeoungwhang-Dong, Shihung-City,  
Kyunggi-Do 429-450  
Phone : +82-31-496-7000, 7124  
Fax : +82-31-496-7100  
<http://www.hirose.co.kr>

**SINGAPORE:**

**HIROSE ELECTRIC SINGAPORE PTE. LTD.**

10 Anson Road #26-16 International Plaza 079903  
Phone : +65-6324-6113  
Fax : +65-6324-6123  
<http://www.hirose-singapore.com.sg>

**INDIA:**

**HIROSE ELECTRIC SINGAPORE PTE. LTD. BANGALORE LIAISON OFFICE**

Unit No.03, Ground Floor, Explorer Building International Tech  
Park Whitefield Road, Bangalore 560066 Karnataka, India  
Phone : +65-6324-6113  
Fax : +65-6324-6123  
<http://www.hirose-singapore.com.sg>



---

## HIROSE ELECTRIC CO.,LTD.

6-3, Nakagawa Chuoh-2-Chome, Tsuzuki-Ku, Yokohama-Shi 224-8540, JAPAN  
TEL: +81-45-620-3526 Fax: +81-45-591-3726  
<http://www.hirose.com>  
<http://www.hirose-connectors.com>

---

## Данный компонент на территории Российской Федерации

### Вы можете приобрести в компании MosChip.

Для оперативного оформления запроса Вам необходимо перейти по данной ссылке:

<http://moschip.ru/get-element>

Вы можете разместить у нас заказ для любого Вашего проекта, будь то серийное производство или разработка единичного прибора.

В нашем ассортименте представлены ведущие мировые производители активных и пассивных электронных компонентов.

Нашей специализацией является поставка электронной компонентной базы двойного назначения, продукции таких производителей как XILINX, Intel (ex.ALTERA), Vicor, Microchip, Texas Instruments, Analog Devices, Mini-Circuits, Amphenol, Glenair.

Сотрудничество с глобальными дистрибьюторами электронных компонентов, предоставляет возможность заказывать и получать с международных складов практически любой перечень компонентов в оптимальные для Вас сроки.

На всех этапах разработки и производства наши партнеры могут получить квалифицированную поддержку опытных инженеров.

Система менеджмента качества компании отвечает требованиям в соответствии с ГОСТ Р ИСО 9001, ГОСТ РВ 0015-002 и ЭС РД 009

### Офис по работе с юридическими лицами:

105318, г.Москва, ул.Щербаковская д.3, офис 1107, 1118, ДЦ «Щербаковский»

Телефон: +7 495 668-12-70 (многоканальный)

Факс: +7 495 668-12-70 (доб.304)

E-mail: [info@moschip.ru](mailto:info@moschip.ru)

Skype отдела продаж:

moschip.ru

moschip.ru\_4

moschip.ru\_6

moschip.ru\_9