

## Sensor/Actuator cable - SAC-5P-M12MR/10,0-600 HD - 1404048

Please be informed that the data shown in this PDF Document is generated from our Online Catalog. Please find the complete data in the user's documentation. Our General Terms of Use for Downloads are valid (<http://download.phoenixcontact.com>)



Sensor/Actuator cable, 5-position, PP-EPDM halogen-free, Gray RAL 7035, Plug angled M12, A-coded, on Free cable end, Cable length: 10 m, Hygienic design, With high-grade steel knurl



### Key commercial data

|                        |   |
|------------------------|---|
| Packing unit           | 0   |
| Minimum order quantity | 1   |
| GTIN                   | <br>4 046356 677868 |
| Custom tariff number   | 85444290  |
| Country of origin      | POLAND  |

### Technical data

#### General data

|                                 |   |
|---------------------------------|---|
| Rated current at 40°C           | 4 A   |
| Rated voltage                   | 60 V  |
| Number of positions             | 5   |
| Volume resistance               | ≤ 5 mΩ  |
| Insulation resistance           | ≥ 100 MΩ  |
| Length of cable                 | 10 m  |
| Ambient temperature (operation) | -40 °C ... 105 °C (Male connector / female connector) |

#### General characteristics

|                             |                                       |
|-----------------------------|---------------------------------------|
| Standards/regulations       | M12 plug-in connector IEC 61076-2-101 |
| Coding                      | A - standard                          |
| Surge voltage category      | II                                    |
| Pollution degree            | 3                                     |
| Degree of protection        | IP65/IP68/IP69K                       |
| Insertion/withdrawal cycles | ≥ 100                                 |
| Torque                      | 0.4 Nm (M12 plug-in connector)        |
| Contact material            | CuSn                                  |
| Contact surface material    | Ni/Au                                 |
| Contact carrier material    | PP                                    |

# Sensor/Actuator cable - SAC-5P-M12MR/10,0-600 HD - 1404048

## Technical data

### General characteristics

|                       |                  |
|-----------------------|------------------|
| Material of grip body | PP               |
| Material, knurls      | High-grade steel |
| Status display        | No               |

### Conductor data

|   |   |
|---|---|
| Cable type                                    | Halogen-free PP gray                          |
| Cable type (abbreviation)                     | 600   |
| Cable abbreviation                            | Li9Y9Y  |
| Conductor cross section                       | 5x 0.34 mm <sup>2</sup> (signal line)         |
| AWG signal line                               | 22  |
| Conductor structure signal line               | 42x 0.10 mm                                   |
| Core diameter including insulation            | 1.27 mm ±0.02 mm (signal line)                |
| Thickness, insulation                         | ≥ 0.21 mm (Core insulation)                   |
| Wire colors                                   | Brown, white, blue, black, gray               |
| Overall twist                                 | 5 cores, twisted                              |
| Length of twist, overall twist                | 55 mm   |
| External sheath, color                        | Gray RAL 7035                                 |
| Outer sheath thickness                        | Approx. 0.7 mm                                |
| External cable diameter D                     | 5 mm ±0.15 mm                                 |
| Minimum bending radius, fixed installation    | 5 x D   |
| Minimum bending radius, flexible installation | 10 x D  |
| Cable weight                                  | 34 kg/km                                      |
| Outer sheath, material                        | PP-EPDM                                       |
| Material conductor insulation                 | PP  |
| Conductor material                            | Bare Cu litz wires                            |
| Conductor resistance                          | 58 Ω/km (At an ambient temperature of 20°C)   |
| Nominal voltage, conductor                    | ≤ 300 V AC                                    |
| Test voltage, conductor                       | ≥ 3000 V AC                                   |
| Special properties                            | FDA compliant                                 |
| Halogen-free                                  | in accordance with DIN VDE 0472 part 815      |
| Ambient temperature (operation)               | -40 °C ... 105 °C (cable, fixed installation) |

## Classifications

### ETIM

|          |          |
|----------|----------|
| ETIM 3.0 | EC001855 |
| ETIM 4.0 | EC001855 |
| ETIM 5.0 | EC001855 |

### UNSPSC

|              |          |
|--------------|----------|
| UNSPSC 11    | 31251501 |
| UNSPSC 12.01 | 31251501 |
| UNSPSC 13.2  | 31251501 |

# Sensor/Actuator cable - SAC-5P-M12MR/10,0-600 HD - 1404048

## Classifications

### UNSPSC

|               |          |
|---------------|----------|
| UNSPSC 6.01   | 31251501 |
| UNSPSC 7.0901 | 31251501 |

### eCl@ss

|            |          |
|------------|----------|
| eCl@ss 4.0 | 27060306 |
| eCl@ss 4.1 | 27060306 |
| eCl@ss 5.0 | 27061801 |
| eCl@ss 5.1 | 27061801 |
| eCl@ss 6.0 | 27061801 |
| eCl@ss 7.0 | 27061801 |

## Accessories

### Accessories

#### Tools

Cable-cutting tool - CUTFOX-S VDE - 1212207



Diagonal cutter for copper and aluminum conductors, VDE-tested

Stripping tool - WIREFOX SAC - 1212623



Stripping pliers, for halogen-free sensor/actuator cables (SAC cables), with PUR and PVC insulation, from Ø of 4.4 to 7 mm, any stripping length

Stripping tool - WIREFOX 10 - 1212150



Stripping tool, for cables and conductors from 0.02 - 10 mm<sup>2</sup>, self-adjusting, stripping length of up to 18 mm, cutting capacity of up to 10 mm<sup>2</sup> stranded/1.5 mm<sup>2</sup> solid, replaceable stripping blade

# Sensor/Actuator cable - SAC-5P-M12MR/10,0-600 HD - 1404048

## Accessories

Torque screwdriver - TSD 04 SAC - 1208429



Torque screwdriver, with preset torque of 0.4 Nm and 4 mm hexagonal drive for M12 connectors

Torque screwdriver - TSD-M 1,2NM - 1212224



Torque screw driver, accuracy as per EN ISO 6789 standard, adjustable from 0.3 - 1.2 Nm

Adapter insert - TSD-M SAC-BIT ADAPTER - 1212600



Adapter bit for TSD-M...torque tools, E6.3-1/4" drive with 4 mm hexagon to accommodate SAC bits

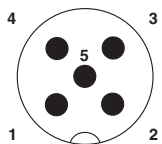
Adapter - SAC BIT M12-W14 - 1212513



SAC nut, for assembling M12 connectors with hexagonal high-grade steel knurl, with 4 mm hexagonal drive

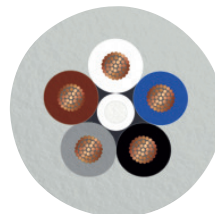
## Drawings

Schematic diagram



Pin assignment M12 male connector, 5-pos., A-coded, male side

Cable cross section



Halogen-free PP gray [600]

## Sensor/Actuator cable - SAC-5P-M12MR/10,0-600 HD - 1404048

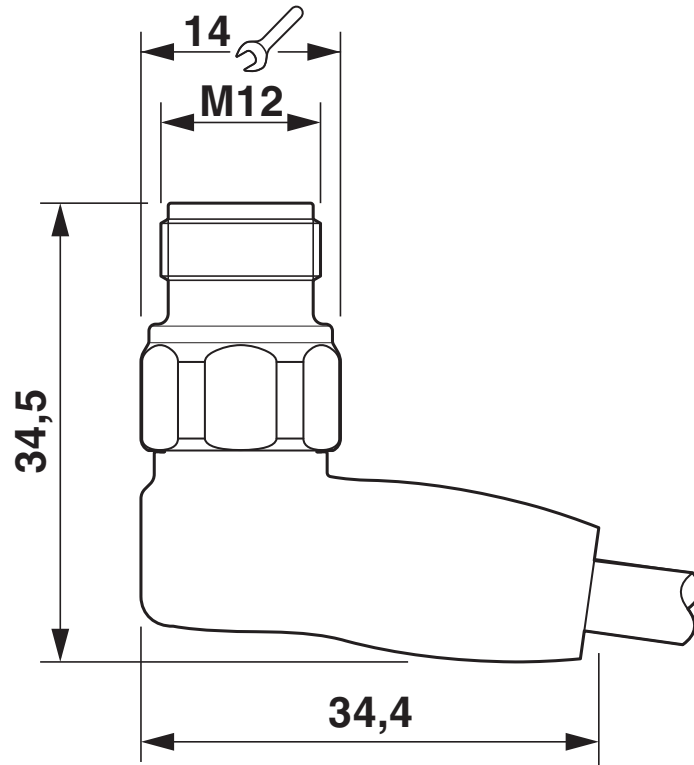
Circuit diagram



Contact assignment of the M12 plug

# Sensor/Actuator cable - SAC-5P-M12MR/10,0-600 HD - 1404048

Dimensioned drawing





## Данный компонент на территории Российской Федерации

### Вы можете приобрести в компании MosChip.

Для оперативного оформления запроса Вам необходимо перейти по данной ссылке:

<http://moschip.ru/get-element>

Вы можете разместить у нас заказ для любого Вашего проекта, будь то серийное производство или разработка единичного прибора.

В нашем ассортименте представлены ведущие мировые производители активных и пассивных электронных компонентов.

Нашей специализацией является поставка электронной компонентной базы двойного назначения, продукции таких производителей как XILINX, Intel (ex.ALTERA), Vicor, Microchip, Texas Instruments, Analog Devices, Mini-Circuits, Amphenol, Glenair.

Сотрудничество с глобальными дистрибьюторами электронных компонентов, предоставляет возможность заказывать и получать с международных складов практически любой перечень компонентов в оптимальные для Вас сроки.

На всех этапах разработки и производства наши партнеры могут получить квалифицированную поддержку опытных инженеров.

Система менеджмента качества компании отвечает требованиям в соответствии с ГОСТ Р ИСО 9001, ГОСТ РВ 0015-002 и ЭС РД 009

### Офис по работе с юридическими лицами:

105318, г.Москва, ул.Щербаковская д.3, офис 1107, 1118, ДЦ «Щербаковский»

Телефон: +7 495 668-12-70 (многоканальный)

Факс: +7 495 668-12-70 (доб.304)

E-mail: [info@moschip.ru](mailto:info@moschip.ru)

Skype отдела продаж:

moschip.ru

moschip.ru\_4

moschip.ru\_6

moschip.ru\_9