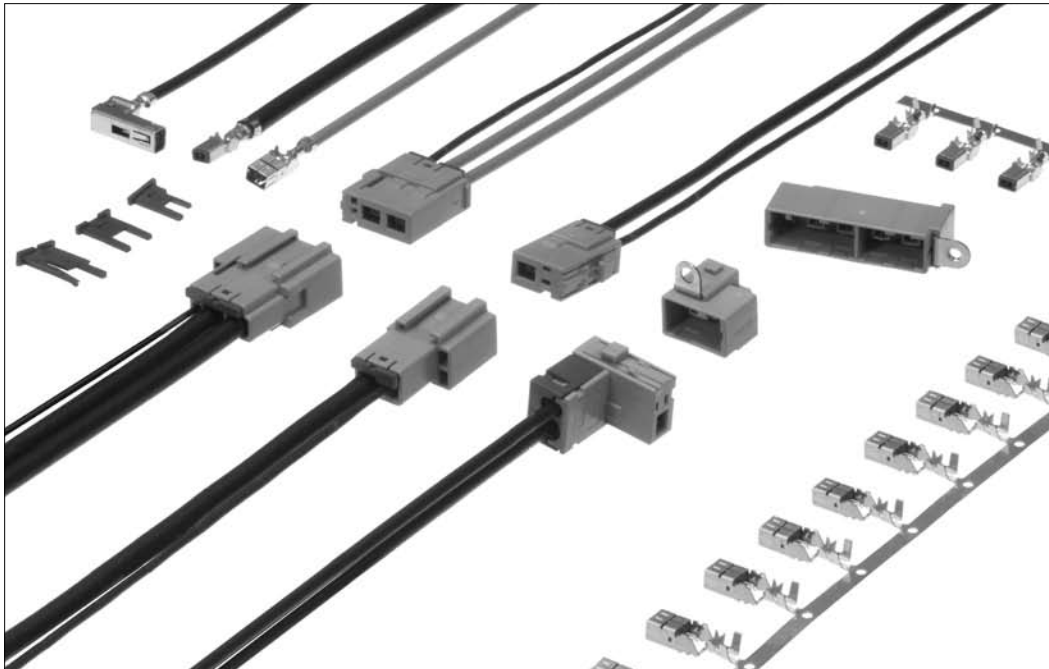


Termination of coaxial cables in automotive, medical and instrumentation applications utilizes one step to crimp the center conductor, shield and outer insulation.

GT13 Series

— Connectors for coaxial cables —



Features

- **Cost efficient termination**

Highly efficient and reliable one step crimp termination allows high volume production with semi-automatic equipment.

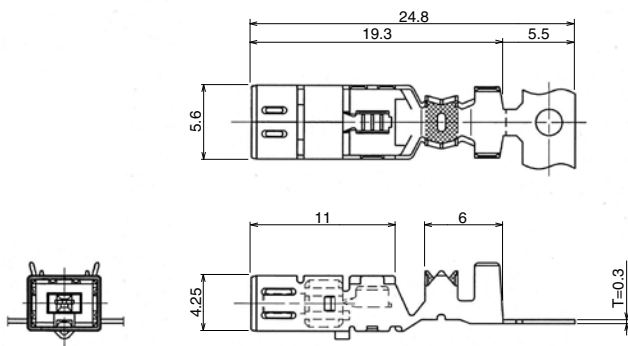
- **Space-saving Design**

Compact and light weight comparing with HRS GT5 series.

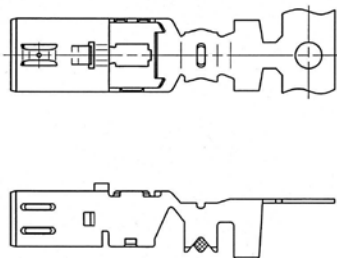
Applications

automotive audio systems.

F Terminals

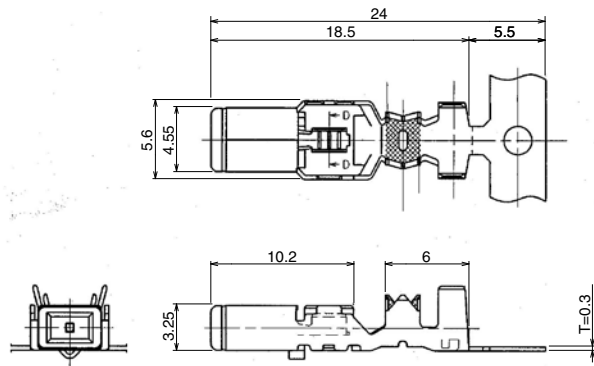


| Part Number | HRS No. | Conductor Size (AWG) | Inner Insulation Diameter | Outer Diameter | Packaging | RoHS |
|--------------------------|---------------|-----------------------------|---------------------------|----------------|-----------------|------|
| GT13-2428/1.6-2.9SCF(70) | 763-0001-3-70 | AWG #24 to 28 or equivalent | φ 1.5 to 2.0 | φ 2.7 to 3.4 | 3,000 pcs /reel | YES |
| GT13-30/1.6-2.9SCF(70) | 763-0012-0-70 | AWG #30 or equivalent | | φ 2.3 to 2.7 | | |
| GT13-2428/1.6-2.5SCF(70) | 763-0042-0-70 | AWG #24 to 28 or equivalent | φ 3.0 to 3.6 | φ 4.6 to 5.0 | 2,200 pcs /reel | |
| GT13-2428/F4-5SCF(70) | 763-0051-1-70 | AWG #24 to 28 or equivalent | | φ 3.6 to 4.0 | | |
| GT13-30/F4-5SCF(70) | 763-0067-1-70 | AWG #30 or equivalent | φ 3.0 to 3.6 | φ 4.6 to 5.0 | | |
| GT13-30/F3.3-3.8SCF(70) | 763-0052-4-70 | AWG #30 or equivalent | | φ 3.6 to 4.0 | | |
| GT13-2022/F4-5SCF(70) | 763-0068-4-70 | AWG #20 to 22 or equivalent | φ 3.0 to 3.6 | φ 4.6 to 5.0 | | |

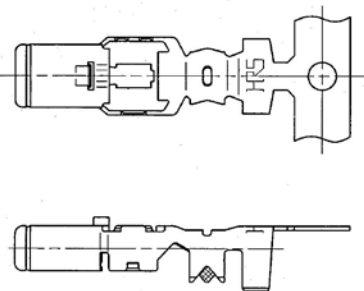


| Item | Material | Color/Finish |
|------------------------|--------------|--------------|
| Insulator | PBT | Dark Gray |
| Center terminals | Copper alloy | Tin plating |
| Outside tube terminals | Copper alloy | Tin plating |

M Terminals

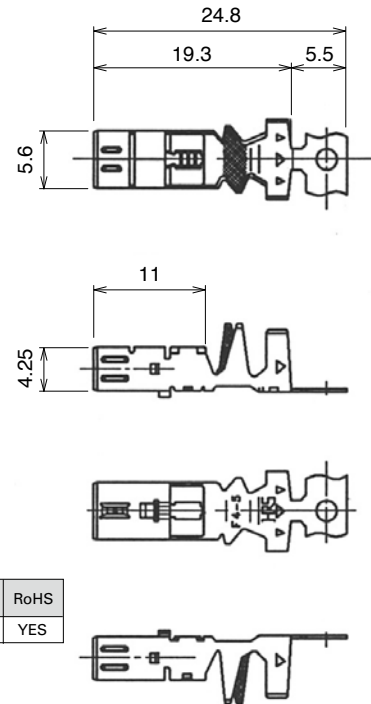


| Part Number | HRS No. | Conductor Size (AWG) | Inner Insulation Diameter | Outer Diameter | Packaging | RoHS |
|---------------------------|---------------|-----------------------------|---------------------------|----------------|-----------------|------|
| GT13-2428/1.6-2.9PCF(70) | 763-0002-6-70 | AWG #24 to 28 or equivalent | φ 1.5 to 2.0 | φ 2.7 to 3.4 | 4,000 pcs /reel | YES |
| GT13-30/1.6-2.9PCF(70) | 763-0041-8-70 | AWG #30 or equivalent | | φ 2.3 to 2.7 | | |
| GT13-2428/1.6-2.5PCF(70) | 763-0069-7-70 | AWG #24 to 28 or equivalent | φ 3.0 to 3.6 | φ 4.6 to 5.0 | 2,200 pcs /reel | |
| GT13-2428/F4-5PCF(70) | 763-0054-0-70 | AWG #24 to 28 or equivalent | | φ 3.6 to 4.0 | | |
| GT13-30/F4-5PCF(70) | 763-0066-9-70 | AWG #30 or equivalent | φ 3.0 to 3.6 | φ 4.6 to 5.0 | | |
| GT13-30/F3.3-3.8PCF(70) | 763-0053-7-70 | AWG #30 or equivalent | | φ 3.6 to 4.0 | | |
| GT13-2428/F3.3-3.8PCF(70) | 763-0079-0-70 | AWG #24 to 28 or equivalent | φ 3.0 to 3.6 | φ 4.6 to 5.0 | | |
| GT13-2022/F4-5PCF(70) | 763-0068-4-70 | AWG #20 to 22 or equivalent | | φ 3.0 to 3.6 | φ 4.6 to 5.0 | |



| Item | Material | Color/Finish |
|------------------------|--------------|--------------|
| Insulator | PBT | Dark Gray |
| Center terminals | Copper alloy | Tin plating |
| Outside tube terminals | Copper alloy | Tin plating |

Low insertion F Terminals

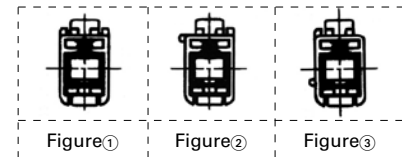
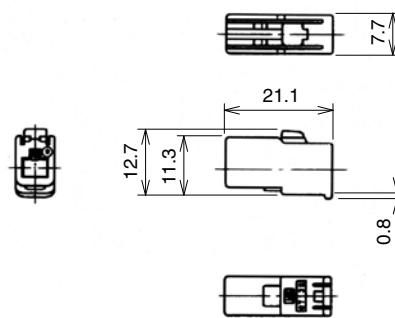


| Part Number | HRS No. | Conductor Size (AWG) | Inner Insulation Diameter | Outer Diameter | Packaging | RoHS |
|--------------------|------------|-----------------------------|---------------------------|----------------|---------------|------|
| GT13L-2428/F4-5SCF | 763-0098-5 | AWG #24 to 28 or equivalent | φ 3.0 to 3.6 | φ 4.6 to 5.0 | 2,200pcs/reel | YES |

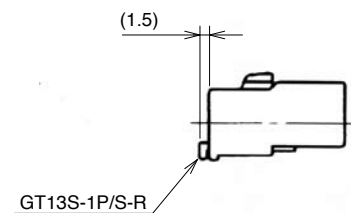
| Item | Material | Color/Finish |
|------------------------|--------------|--------------|
| Insulator | PBT | Dark Gray |
| Center terminals | Copper alloy | Tin plating |
| Outside tube terminals | Copper alloy | Tin plating |

13S Series

F Housing(1 coaxial)



◆ Shown with inserted retainer.

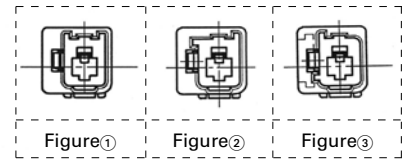
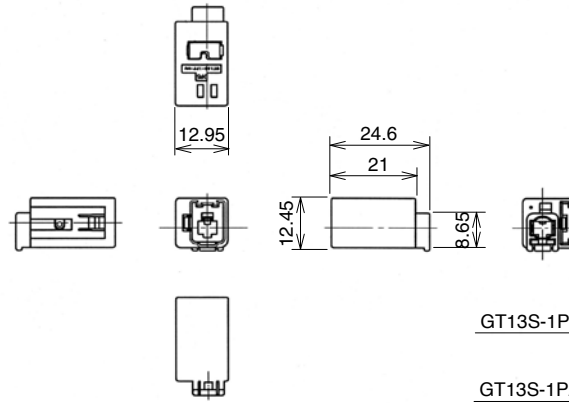


| Part Number | HRS No. | Material | Color | Key polarizing code | RoHS |
|-----------------|------------|----------|------------|---------------------|------|
| GT13S-1S-HU | 763-0024-9 | PBT | Light Gray | Figure① | YES |
| GT13S-1S-HU (A) | 763-0025-1 | PBT | Brown | Figure② | |
| GT13S-1S-HU (B) | 763-0026-4 | PBT | Green | Figure③ | |

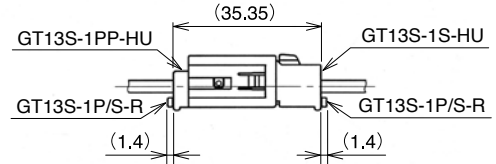
GT 5
GT 13
GT 16
PO5G
GT 11
GT 17
GT 19
GT 26
GT 27

Coaxial cable connection of Antennas, Sensors, and Communication Trunk Lines
GT 3
GT 6W
GT 7
GT 10
GT 18W
GT 15
GT 8
GT 9
GT 25
GT 22

M Housing(1 coaxial)



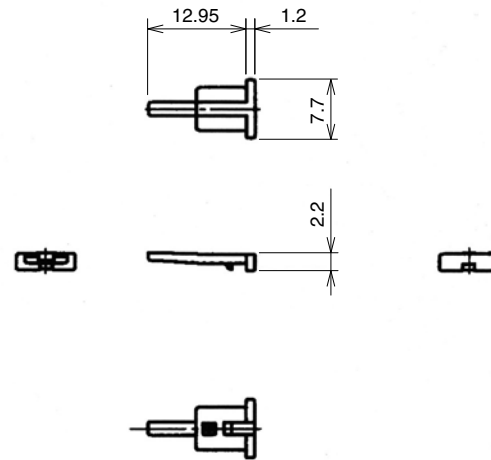
◆ Fully mated connector assemblies



| Part Number | HRS No. | Color | Key polarizing code | RoHS |
|------------------|------------|------------|---------------------|------|
| GT13S-1PP-HU | 763-0030-1 | Light Gray | Figure① | YES |
| GT13S-1PP-HU (A) | 763-0031-4 | Brown | Figure② | |
| GT13S-1PP-HU (B) | 763-0032-7 | Green | Figure③ | |

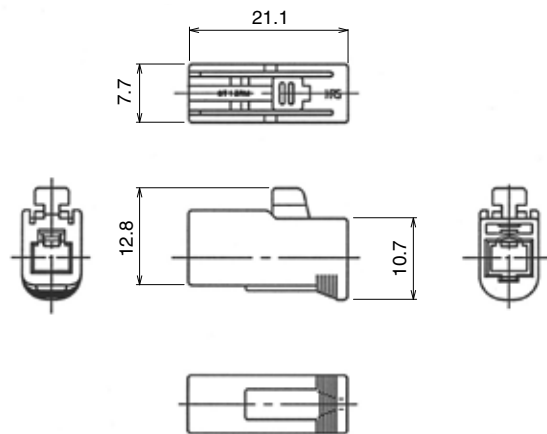
| Part | Material | Finish |
|-----------------|--------------|-------------|
| Ground terminal | Copper alloy | Tin plating |
| Housing | PBT | — |

Retainer



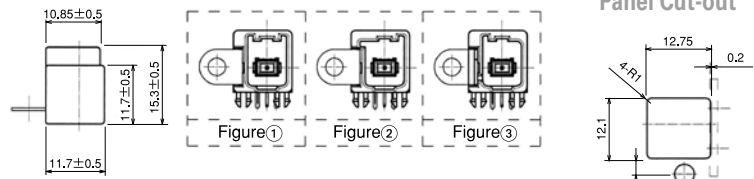
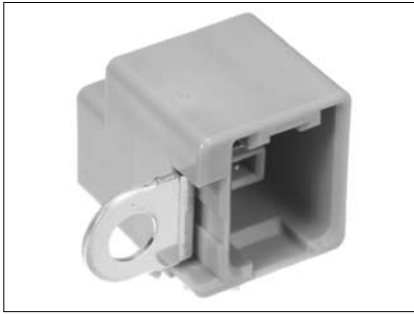
| Part Number | HRS No. | Material | Color | RoHS |
|--------------|------------|----------|-----------|------|
| GT13S-1P/S-R | 763-0033-0 | PBT | Dark Gray | YES |

F Housing(1 coaxial) No retainer required type

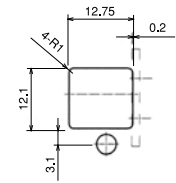


| Part Number | HRS No. | Material | Color | RoHS |
|--------------|------------|----------|------------|------|
| GT13RM-1S-HU | 763-0099-8 | PBT | Light Gray | YES |

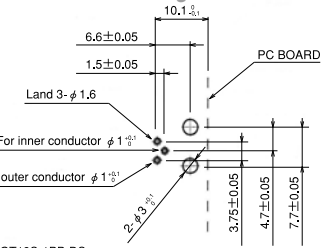
Printed Circuit Board Type (1 coaxial)



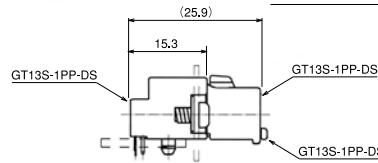
Recommended Panel Cut-out



Recommended Board Mounting Pattern



Fully mated connector assemblies

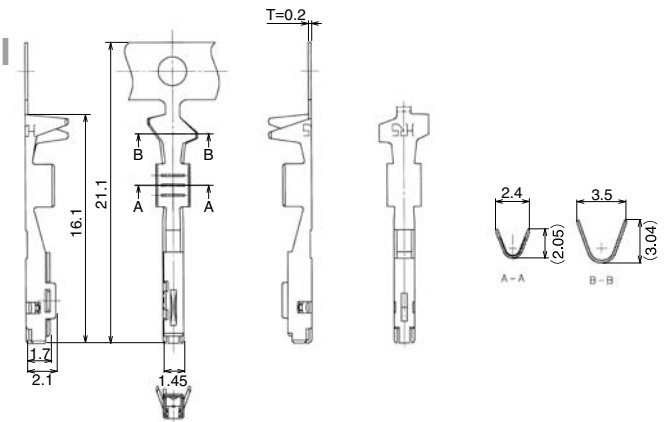


| Part Number | HRS No. | Color | Key polarizing code | RoHS |
|------------------|------------|------------|---------------------|------|
| GT13S-1PP-DS | 763-0027-7 | Light Gray | Figure ① | YES |
| GT13S-1PP-DS (A) | 763-0028-0 | Brown | Figure ② | |
| GT13S-1PP-DS (B) | 763-0029-2 | Green | Figure ③ | |

| Part | Material | Color/Finish |
|-----------------------|--------------|--------------|
| Housing | PBT | — |
| Center terminal | Copper alloy | Tin plating |
| Outside tube terminal | Copper alloy | Tin plating |
| Metal bracket | Copper alloy | Tin plating |

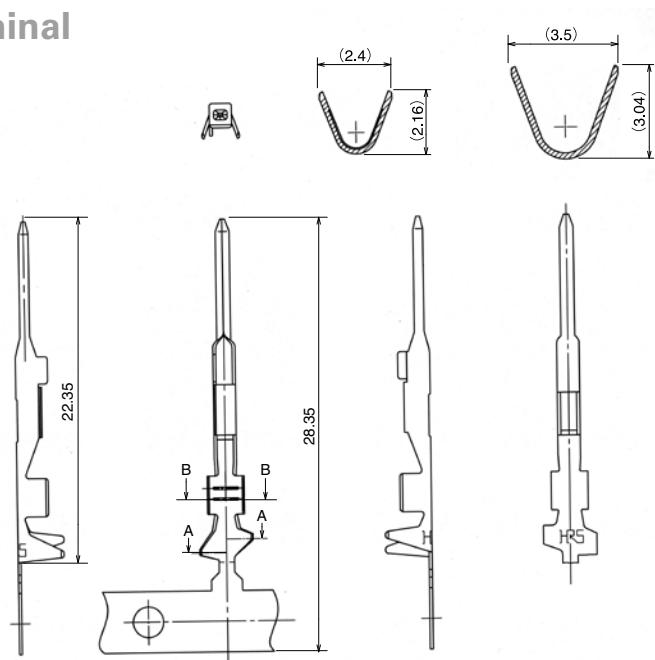
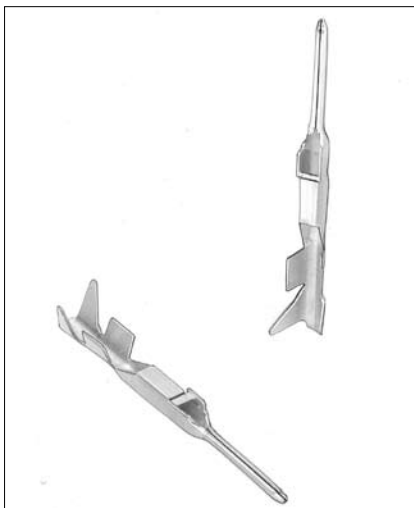
GT13SC Series

F Connector Power Supply Terminal



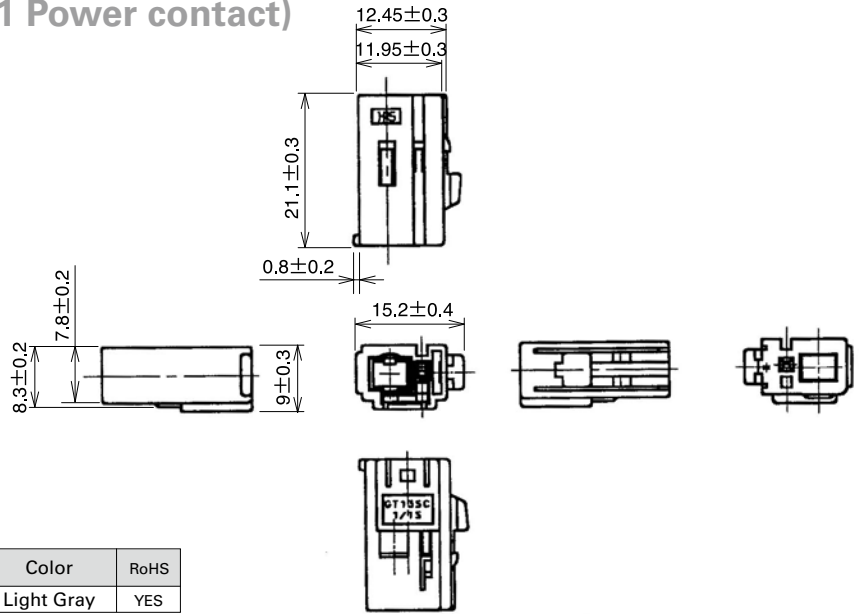
| Part Number | HRS No. | Packaging | RoHS |
|---------------|------------|----------------|------|
| GT10A-2022SCF | 760-0014-6 | 8,000 pcs/reel | YES |

M Connector Power Supply Terminal



| Part Number | HRS No. | Packaging | RoHS |
|----------------|------------|-----------------|------|
| GT10SC-2022PCF | 760-0016-1 | 7,000 pcs/reel | YES |
| GT10A-2022PCF | 760-0015-9 | 10,000 pcs/reel | |

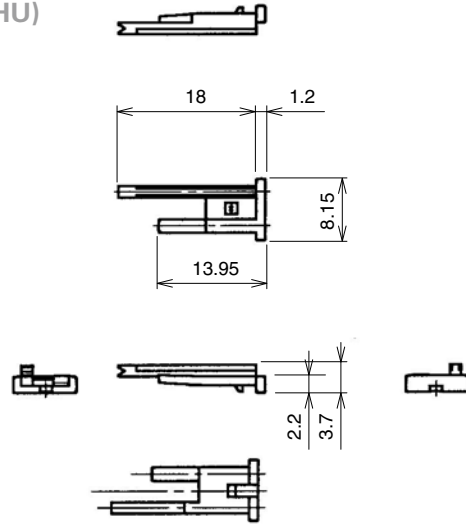
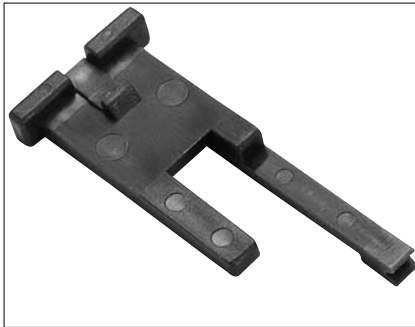
F Housing(1 Coaxial +1 Power contact)



| Part Number | HRS No. | Material | Color | RoHS |
|----------------|------------|----------|------------|------|
| GT13SC-1/1S-HU | 763-0010-4 | PBT | Light Gray | YES |

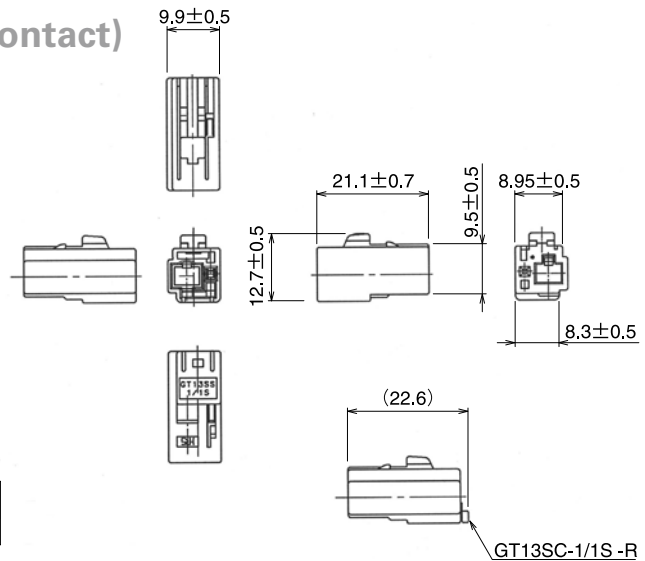
Note : GT10A-2022SCF is used for power supply terminals.

● Retainer(Used with GT13SC-1/1S-HU, GT13SS-1/1S-HU)



| Part Number | HRS No. | Material | Color | RoHS |
|---------------|------------|----------|-----------|------|
| GT13SC-1/1S-R | 763-0011-7 | PBT | Dark Gray | YES |

F Housing(1 Coaxial + 1 Power contact)

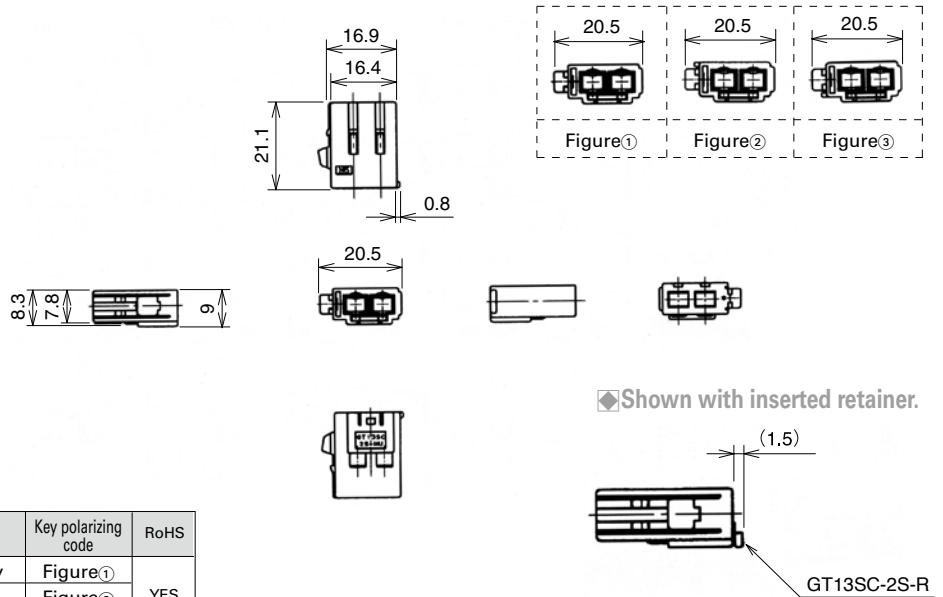


| Part Number | HRS No. | Material | Color | RoHS |
|----------------|------------|----------|------------|------|
| GT13SS-1/1S-HU | 763-0093-1 | PBT | Light Gray | YES |

Note : GT10A-2022SCF is used for power supply terminals.

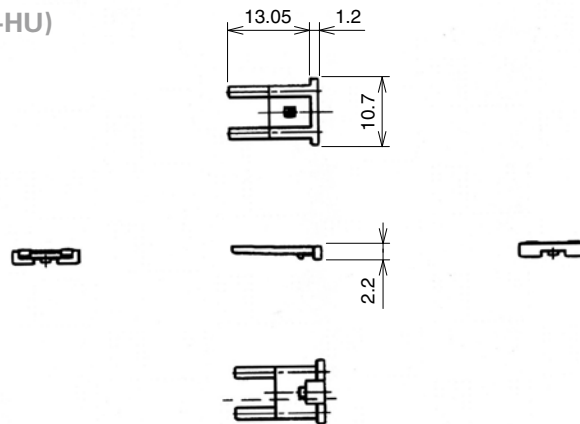
◆ Shown with inserted retainer.

F Housing(2 coaxials)



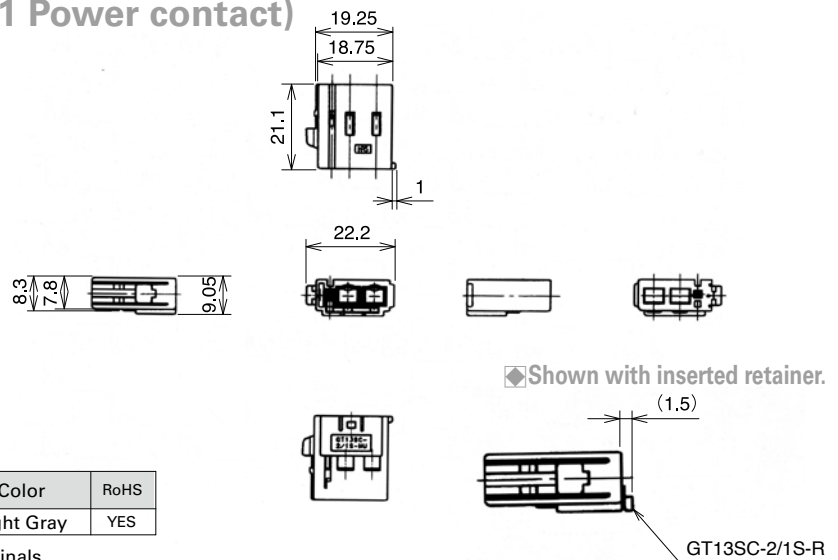
| Part Number | HRS No. | Color | Key polarizing code | RoHS |
|------------------|------------|------------|---------------------|------|
| GT13SC-2S-HU | 763-0014-5 | Light Gray | Figure① | YES |
| GT13SC-2S-HU (A) | 763-0043-3 | Brown | Figure② | |
| GT13SC-2S-HU (B) | 763-0037-0 | Green | Figure③ | |

● Retainer (Used with GT13SC-2S-HU, GT13SCN-2PP-HU and GT13SCH-2PP-HU)



| Part Number | HRS No. | Material | Color | RoHS |
|-------------|------------|----------|-----------|------|
| GT13SC-2S-R | 763-0015-8 | PBT | Dark Gray | YES |

F Housing(2 Coaxials + 1 Power contact)



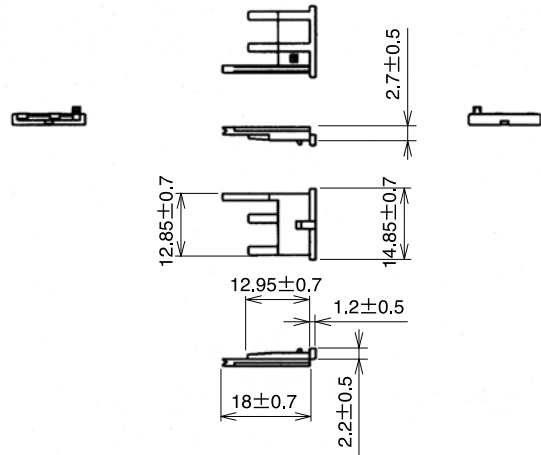
| Part Number | HRS No. | Material | Color | RoHS |
|----------------|------------|----------|------------|------|
| GT13SC-2/1S-HU | 763-0016-0 | PBT | Light Gray | YES |

Note : GT10A-2022SCF is used for power supply terminals.

Coaxial cable connection of Antennas, Sensors, and Communication Trunk Lines

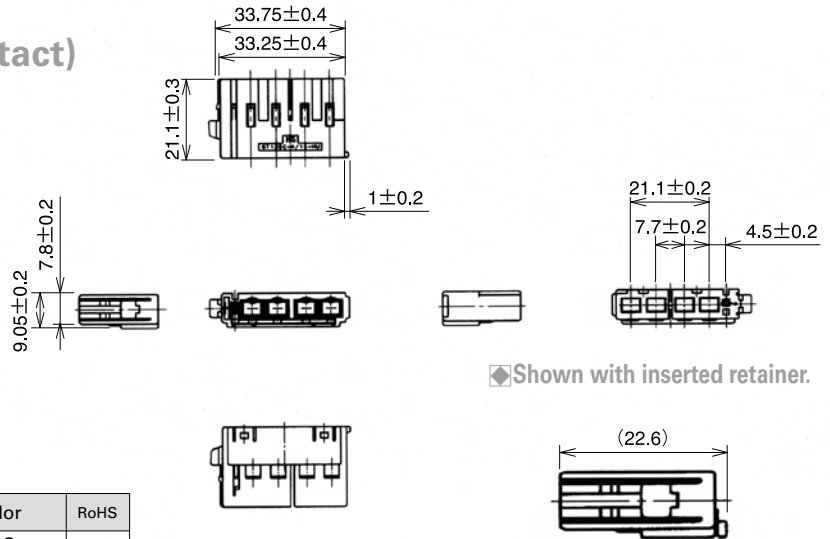
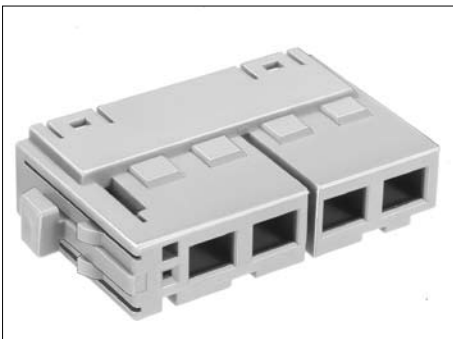
- GT 5
- GT 13
- GT 16
- PO5G
- GT 11
- GT 17
- GT 19
- GT 26
- GT 27
- GT 3
- GT 6W
- GT 7
- GT 10
- GT 18W
- GT 15
- GT 8
- GT 9
- GT 25
- GT 22

● Retainer (Only for GT13SC-2/1S-HU)



| Part Number | HRS No. | Material | Color | RoHS |
|---------------|------------|----------|-----------|------|
| GT13SC-2/1S-R | 763-0017-3 | PBT | Dark Gray | YES |

■ F Housing(4 Coaxials + 1 Power contact)

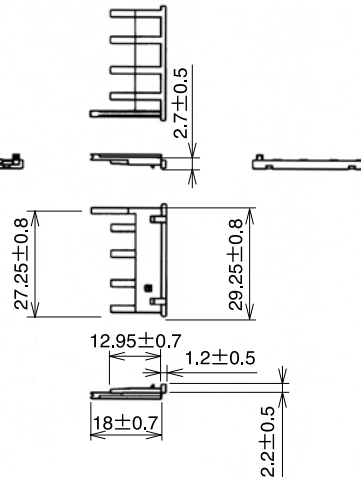
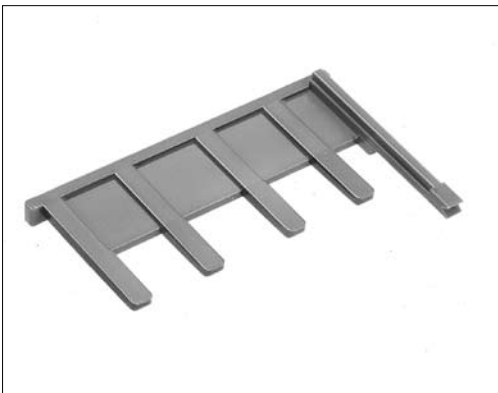


◆ Shown with inserted retainer.

| Part Number | HRS No. | Material | Color | RoHS |
|--------------------|------------|----------|------------|------|
| GT13SC-4/1S-HU | 763-0021-0 | PBT | Light Gray | YES |
| GT13SC-4/1S-HU (A) | 763-0022-3 | | Brown | |

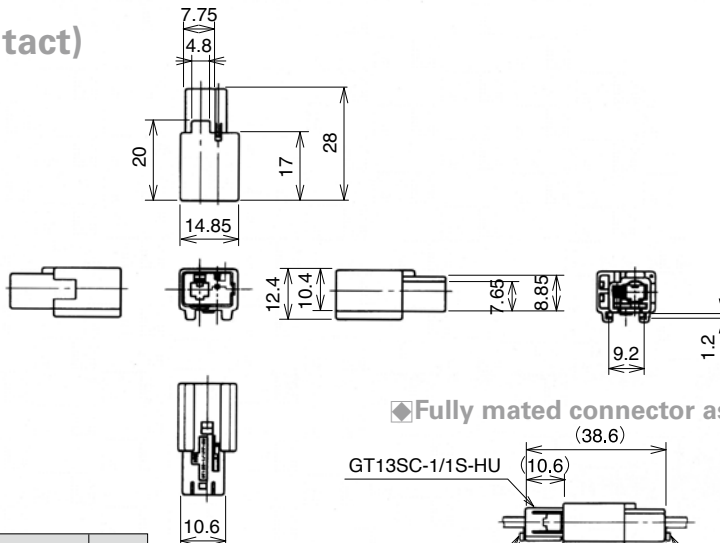
Note : GT10A-2022SCF is used for power supply terminals.

● Retainer (Only for GT13SC-4/1S-R)



| Part Number | HRS No. | Material | Color | RoHS |
|---------------|------------|----------|-----------|------|
| GT13SC-4/1S-R | 763-0023-6 | PBT | Dark Gray | YES |

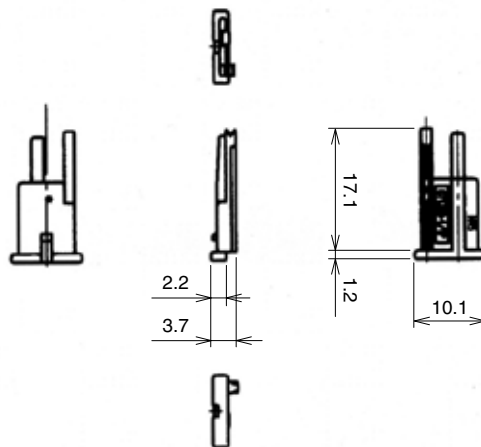
M Housing(1 Coaxial + 1 Power contact)



| Part Number | HRS No. | Material | Color | RoHS |
|------------------|------------|----------|------------|------|
| GT13SCN-1/1PP-HU | 763-0036-8 | PBT | Light Gray | YES |

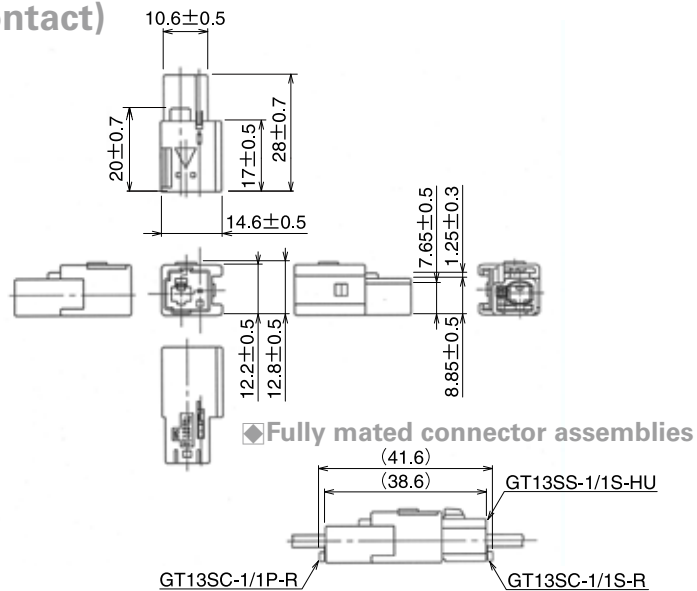
Note : GT10SC-2022PCF or GT10A-2022PCF is used for power supply terminals.

● Retainer (Only for GT13SCN-1/1PP-HU)



| Part Number | HRS No. | Material | Color | RoHS |
|---------------|------------|----------|-----------|------|
| GT13SC-1/1P-R | 763-0039-6 | PBT | Dark Gray | YES |

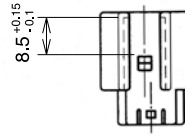
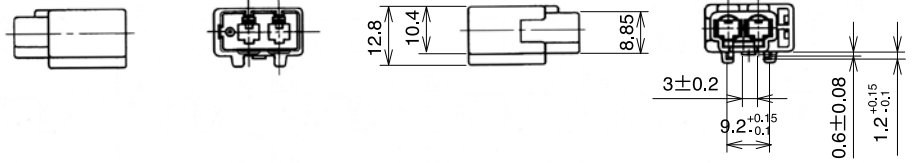
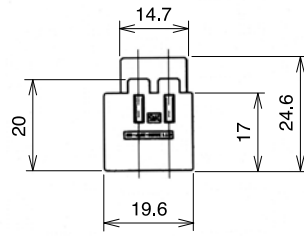
M Housing(1 Coaxial + 1 Power contact)



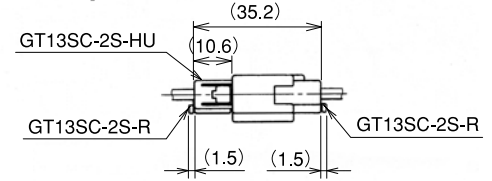
| Part Number | HRS No. | Material | Color | RoHS |
|------------------|------------|----------|------------|------|
| GT13SSN-1/1PP-HU | 763-0092-9 | PBT | Light Gray | YES |

Note : GT10SC-2022PCF or GT10A-2022PCF is used for power supply terminals.

M Housing(2 coaxials)

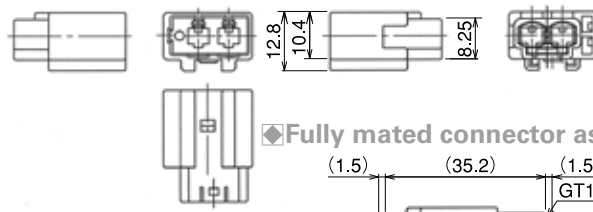
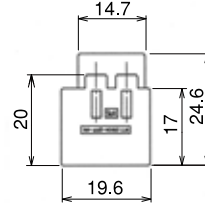
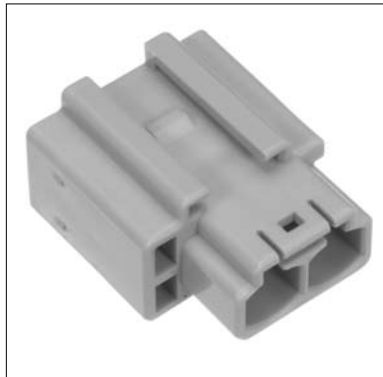


Fully mated connector assemblies

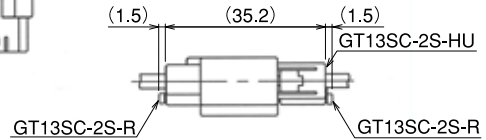


| Part Number | HRS No. | Material | Color | RoHS |
|----------------|------------|----------|------------|------|
| GT13SCN-2PP-HU | 763-0046-1 | PBT | Light Gray | YES |

M Housing(2 coaxials)

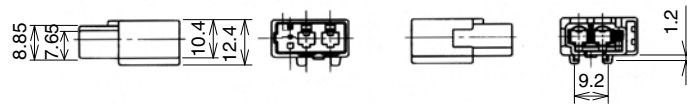
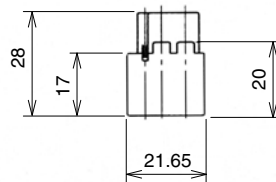
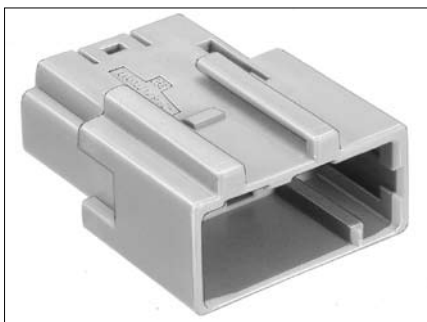


Fully mated connector assemblies

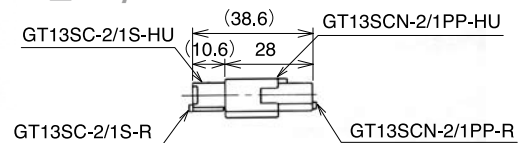


| Part Number | HRS No. | Material | Color | RoHS |
|----------------|------------|----------|------------|------|
| GT13SCH-2PP-HU | 763-0072-1 | PBT | Light Gray | YES |

M Housing(2 Coaxials + 1 Power contact)



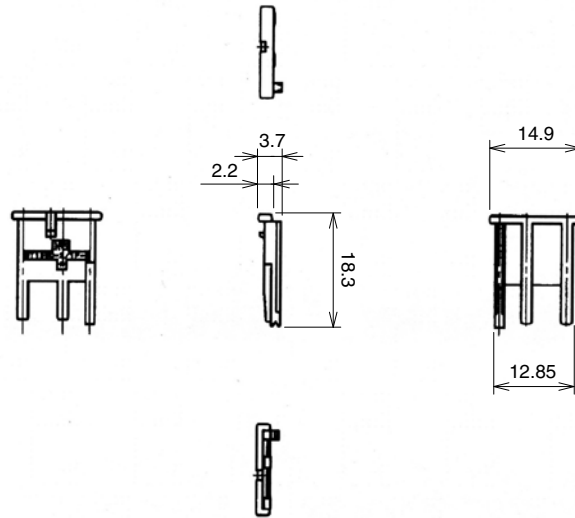
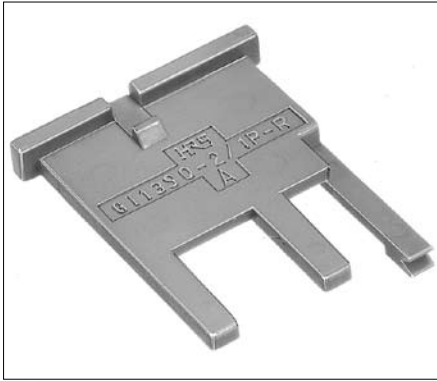
Fully mated connector assemblies



| Part Number | HRS No. | Material | Color | RoHS |
|------------------|------------|----------|------------|------|
| GT13SCN-2/1PP-HU | 763-0038-3 | PBT | Light Gray | YES |

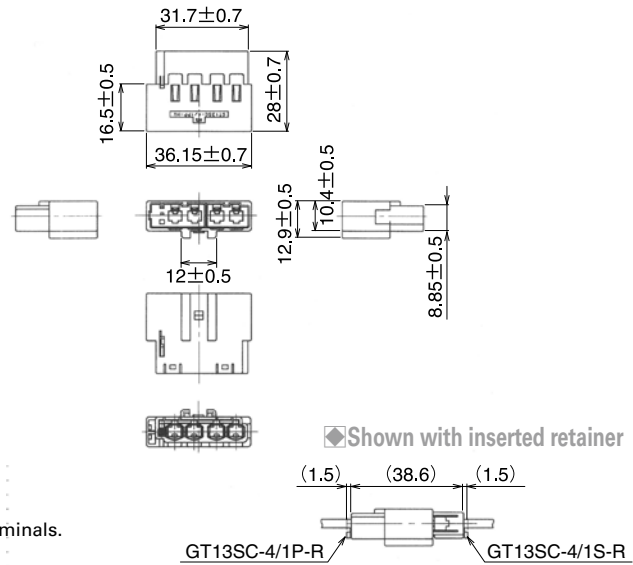
Note : GT10SC-2022PCF or GT10A-2022PCF is used for power supply terminals.

● Retainer (Only for GT13SCN-2/1PP-HU)



| Part Number | HRS No. | Material | Color | RoHS |
|----------------|------------|----------|-----------|------|
| GT13SC-2/1PP-R | 763-0040-5 | PBT | Dark Gray | YES |

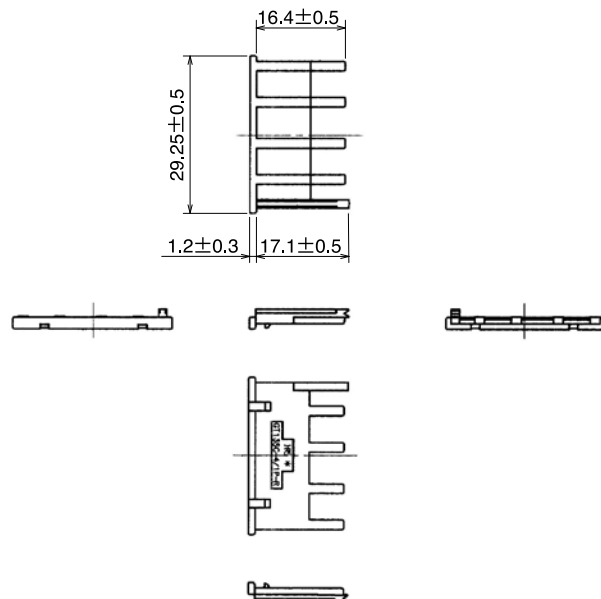
■ M Housing(4 Coaxials + 1 Power contact)



| Part Number | HRS No. | Material | Color | RoHS |
|------------------|------------|----------|------------|------|
| GT13SCH-4/1PP-HU | 763-0060-2 | PBT | Light Gray | YES |

Note : GT10SC-2022PCF or GT10A-2022PCF is used for power supply terminals.

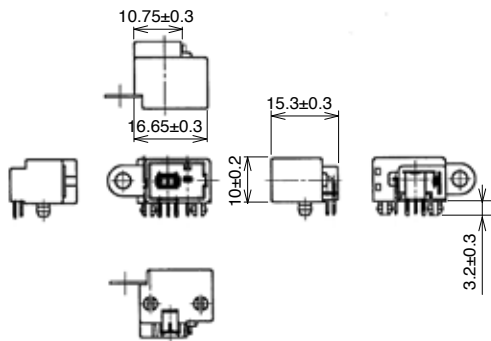
● Retainer



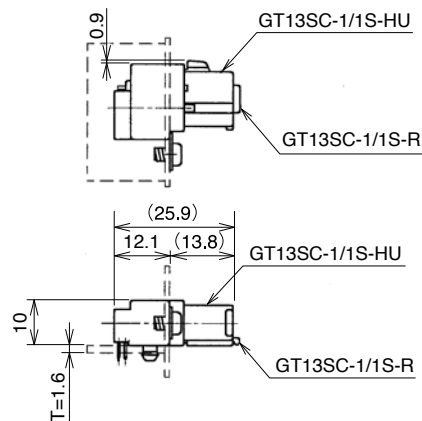
| Part Number | HRS No. | Material | Color | RoHS |
|---------------|------------|----------|-----------|------|
| GT13SC-4/1P-R | 763-0061-5 | PBT | Dark Gray | YES |

GT 5
GT 13
GT 16
GT 17
GT 11
PO5G
GT 19
GT 26
GT 27
GT 3
GT 6W
GT 7
GT 10
GT 18W
GT 15
GT 8
GT 9
GT 25
GT 22

Printed Circuit Board Type (1 Coaxial +1 Power contact)



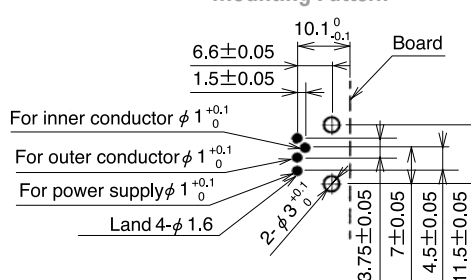
Fully mated connector assemblies



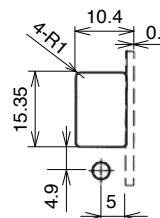
| Part Number | HRS No. | Material | Color | RoHS |
|---------------------|---------------|----------|------------|------|
| GT13SC-1/1PP-DS(70) | 763-0009-5-70 | PBT | Light Gray | YES |

| Part | Material | Color/Finish |
|-----------------------|--------------|--------------|
| Housing | PBT | — |
| Center terminal | Copper alloy | Tin plating |
| Outside tube terminal | Copper alloy | Tin plating |
| Power terminal | Copper alloy | Tin plating |
| Metal bracket | Copper alloy | Tin plating |

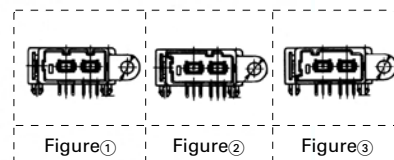
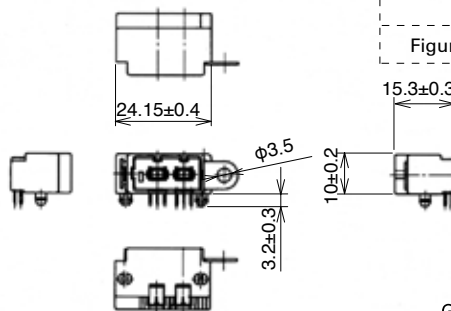
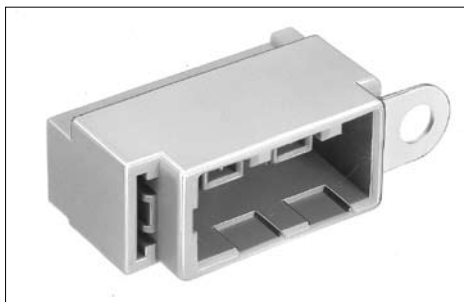
Recommended Board Mounting Pattern



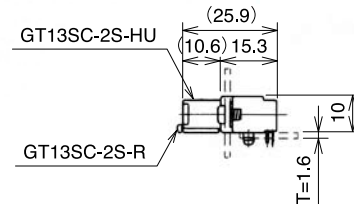
Recommended Panel Cutout



Printed Circuit Board Type (2 Coaxials)



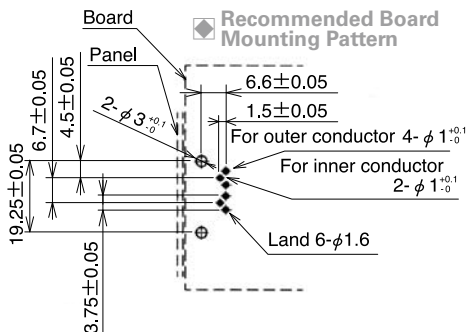
Fully mated connector assemblies



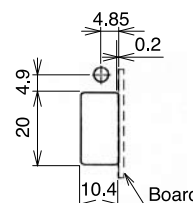
| Part Number | HRS No. | Material | Color | RoHS |
|-------------------|------------|----------|------------|------|
| GT13SC-2PP-DS | 763-0013-2 | PBT | Light Gray | YES |
| GT13SC-2PP-DS (A) | 763-0034-2 | PBT | Brown | |
| GT13SC-2PP-DS (B) | 763-0035-5 | PBT | Green | |

| Part | Material | Color/Finish |
|-----------------------|--------------|--------------|
| Housing | PBT | — |
| Center terminal | Copper alloy | Tin plating |
| Outside tube terminal | Copper alloy | Tin plating |
| Metal bracket | Copper alloy | Tin plating |

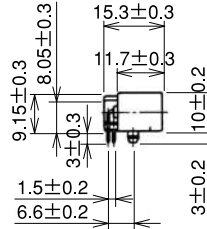
Recommended Board Mounting Pattern



Recommended Panel Cutout



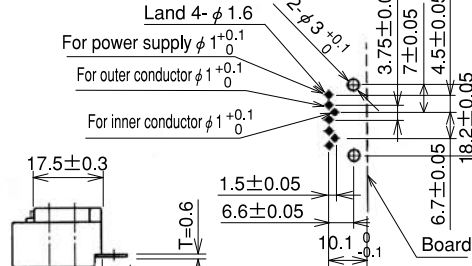
Printed Circuit Board Type (2 Coaxials + 1 Power contact)



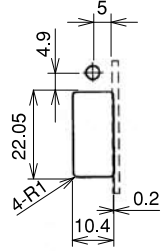
| Part Number | HRS No. | Material | Color | RoHS |
|---------------------|---------------|----------|------------|------|
| GT13SC-2/1PP-DS(70) | 763-0018-6-70 | PBT | Light Gray | YES |

| Part | Material | Color/Finish |
|-----------------------|--------------|--------------|
| Housing | PBT | — |
| Center terminal | Copper alloy | Tin plating |
| Outside tube terminal | Copper alloy | Tin plating |
| Power terminal | Copper alloy | Tin plating |
| Metal bracket | Copper alloy | Tin plating |

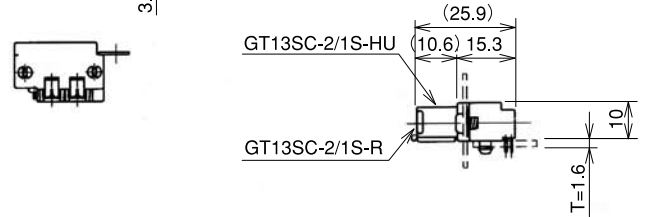
Recommended Board Mounting Pattern



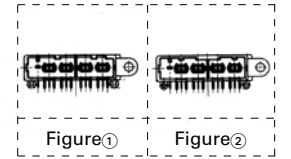
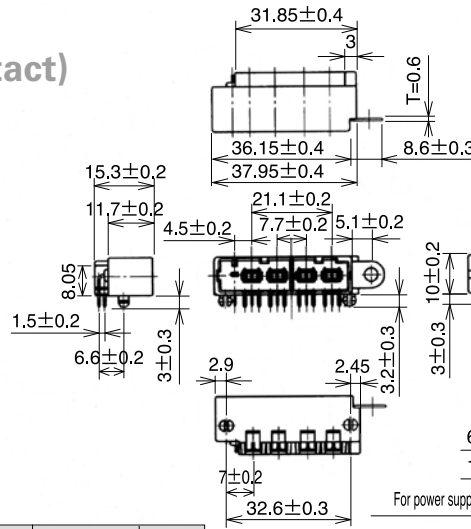
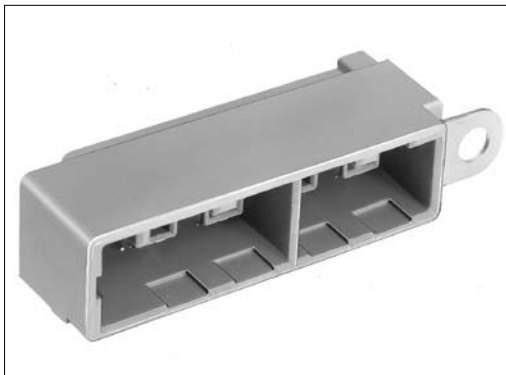
Recommended Panel Cutout



Fully mated connector assemblies



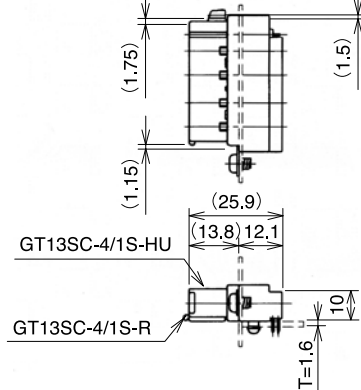
Printed Circuit Board Type (4 Coaxials + 1 Power contact)



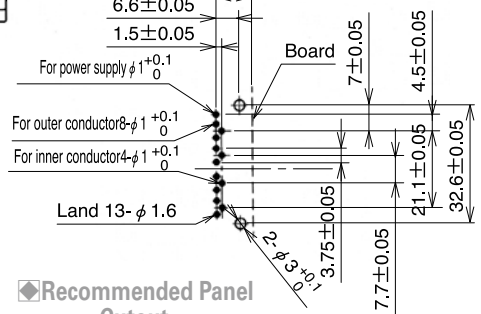
| Part Number | HRS No. | Material | Color | Key polarizing code | RoHS |
|-------------------------|---------------|----------|------------|---------------------|------|
| GT13SC-4/1PP-DS(70) | 763-0019-9-70 | PBT | Light Gray | Figure 1 | YES |
| GT13SC-4/1PP-DS (A)(70) | 763-0020-8-70 | PBT | Brown | Figure 2 | YES |

| Part | Material | Color/Finish |
|-----------------------|--------------|--------------|
| Housing | PBT | — |
| Center terminal | Copper alloy | Tin plating |
| Outside tube terminal | Copper alloy | Tin plating |
| Power terminal | Copper alloy | Tin plating |
| Metal bracket | Copper alloy | Tin plating |

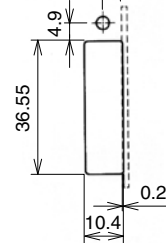
Fully mated connector assemblies



Recommended Board Mounting Pattern



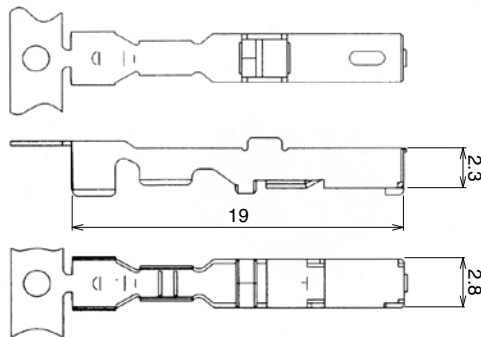
Recommended Panel Cutout



GT13SH Series

Power Supply Terminals

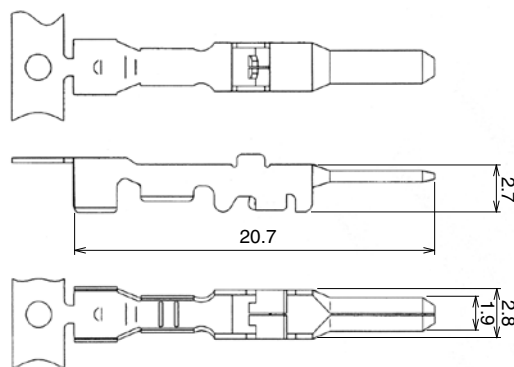
F Connector Terminals



| Part Number | HRS No. | Material | Finish | Conductor Size(AWG) | Inner Insulation Diameter | Packaging | RoHS |
|------------------|---------------|--------------|-------------|---------------------|---------------------------|----------------|------|
| GT7-2022SCF(70) | 757-0001-1-70 | Copper alloy | Tin plating | #20 to 22 | φ 1.4 to 2.4 | 5,000 pcs/reel | YES |
| GT7A-2022SCF(70) | 757-0003-7-70 | | | #20 to 22 | φ 2.6 to 3.1 | 3,000 pcs/reel | |

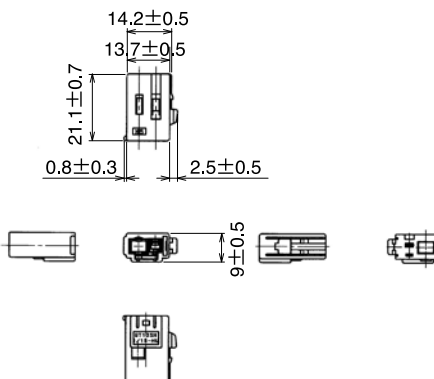
Note1 : Sold by the reel.(Sea above table for number of Packaging.)
 Note2 : This component is used only with applicable HRS housings.

M Connector Terminals



| Part Number | HRS No. | Material | Finish | Conductor Size(AWG) | Inner Insulation Diameter | Packaging | RoHS |
|------------------|---------------|----------|-------------|---------------------|---------------------------|----------------|------|
| GT7-2022PCF(70) | 757-0002-4-70 | Brass | Tin plating | #20 to 22 | φ 1.4 to 2.4 | 5,000 pcs/reel | YES |
| GT7A-2022PCF(70) | 757-0004-0-70 | | | #20 to 22 | φ 2.6 to 3.1 | 3,000 pcs/reel | |

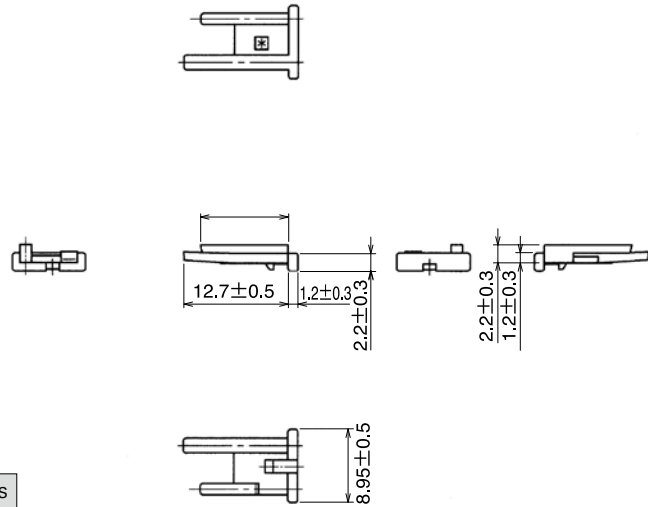
F Housing (1 Coaxial + 1 Power contact)



| Part Number | HRS No. | Material | Color | RoHS |
|-------------------|------------|----------|------------|------|
| GT13SH-1/1S-HU | 763-0048-7 | PBT | Light Gray | YES |
| GT13SH-1/1S-HU(A) | 763-0059-3 | PBT | Brown | |

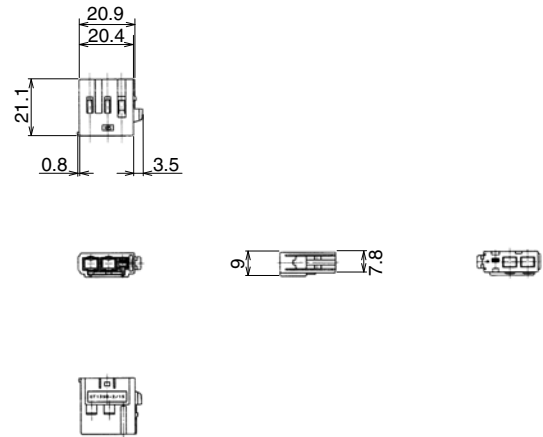
Note : GT7-2022SCF(70) or GT7A-2022SCF(70) is used for power supply terminals.

● Retainer



| Part Number | HRS No. | Material | Color | RoHS |
|---------------|------------|----------|-----------|------|
| GT13SH-1/1S-R | 763-0049-0 | PBT | Dark Gray | YES |

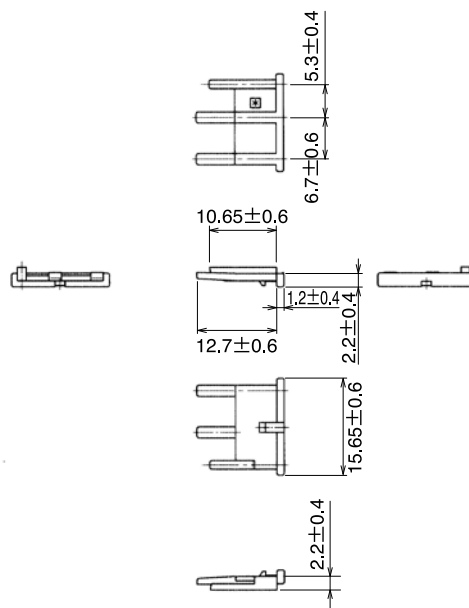
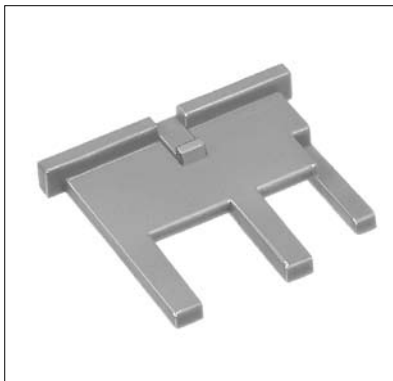
■ F Housing(2 Coaxials + 1 Power contact)



| Part Number | HRS No. | Material | Color | RoHS |
|----------------|------------|----------|------------|------|
| GT13SH-2/1S-HU | 763-0065-6 | PBT | Light Gray | YES |

Note : GT7-2022SCF(70) or GT7A-2022SCF(70) is used for power supply terminals.

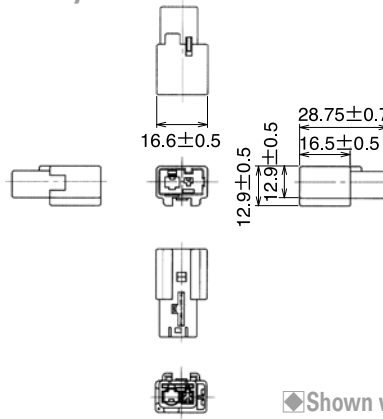
● Retainer



| Part Number | HRS No. | Material | Color | RoHS |
|---------------|------------|----------|-----------|------|
| GT13SH-2/1S-R | 763-0064-3 | PBT | Dark Gray | YES |

- GT 5
- GT 13
- GT 16
- PO5G
- GT 11
- GT 17
- GT 19
- GT 26
- GT 27
- GT 3
- GT 6W
- GT 7
- GT 10
- GT 18W
- GT 15
- GT 8
- GT 9
- GT 25
- GT 22

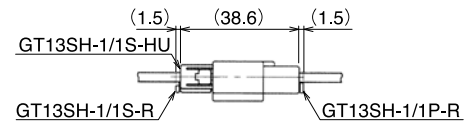
M Housing(1 Coaxial + 1 Power contact)



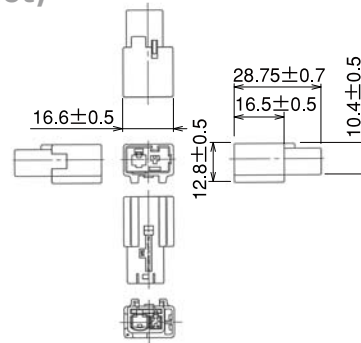
| Part Number | HRS No. | Material | Color | RoHS |
|-----------------|------------|----------|------------|------|
| GT13SH-1/1PP-HU | 763-0055-2 | PBT | Light Gray | YES |

Note : Power supply terminal is GT7-2022PCF(70) or GT7A-2022PCF(70).

◆ Shown with inserted retainer



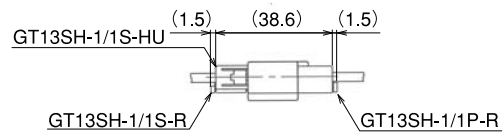
M Housing(1 Coaxial + 1 Power contact)



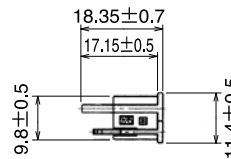
| Part Number | HRS No. | Material | Color | RoHS |
|------------------|------------|----------|------------|------|
| GT13SHN-1/1PP-HU | 763-0078-8 | PBT | Light Gray | YES |

Note : Power supply terminal is GT7-2022PCF(70) or GT7A-2022PCF(70).

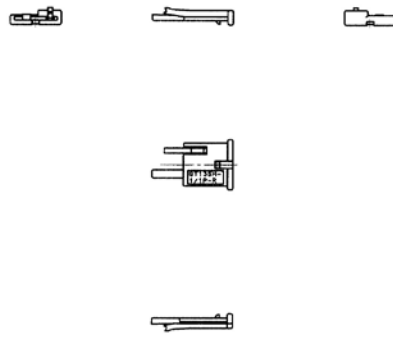
◆ Fully mated connector assemblies



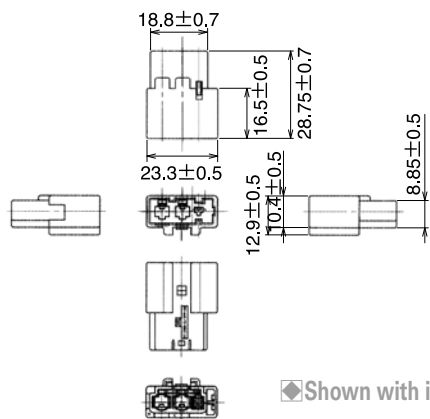
Retainer



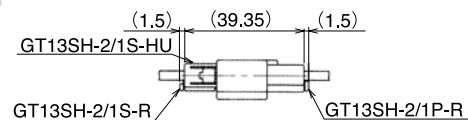
| Part Number | HRS No. | Material | Color | RoHS |
|---------------|------------|----------|-----------|------|
| GT13SH-1/1P-R | 763-0056-5 | PBT | Dark Gray | YES |



M Housing(2 Coaxials + 1 Power contact)



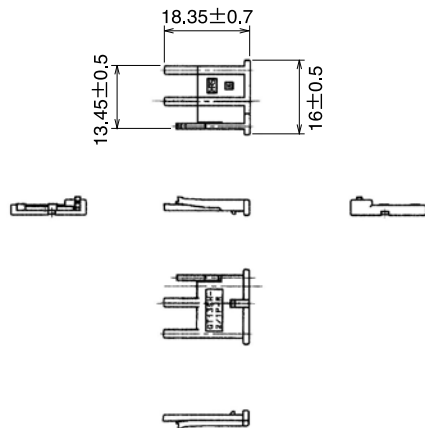
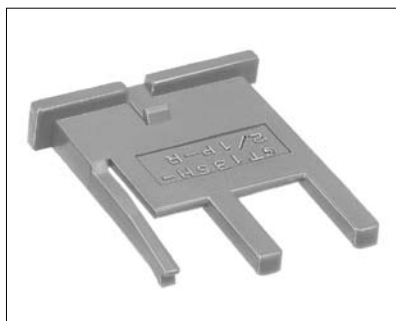
◆Shown with inserted retainer



| Part Number | HRS No. | Material | Color | RoHS |
|-----------------|------------|----------|------------|------|
| GT13SH-2/1PP-HU | 763-0076-2 | PBT | Light Gray | YES |

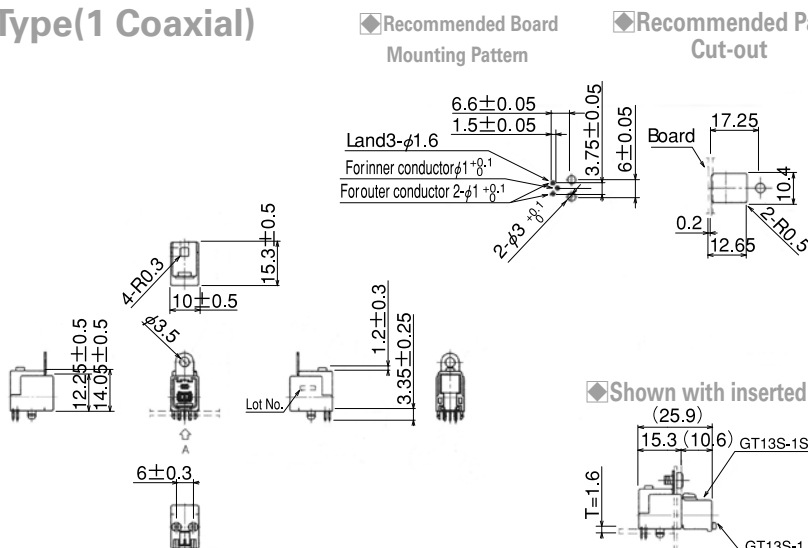
Note : GT7-2022SCF(70) or GT7A-2022SCF(70) is used for power supply terminals.

Retainer



| Part Number | HRS No. | Material | Color | RoHS |
|---------------|------------|----------|-----------|------|
| GT13SH-2/1P-R | 763-0077-5 | PBT | Dark Gray | YES |

Printed Circuit Board Type(1 Coaxial)



◆Recommended Board Mounting Pattern

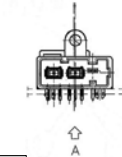
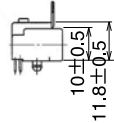
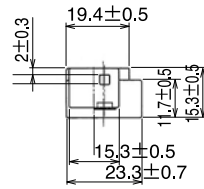
◆Recommended Panel Cut-out

◆Shown with inserted retainer

| Part Number | HRS No. | Material | Color | RoHS |
|----------------|------------|----------|------------|------|
| GT13SHA-1PP-DS | 763-0062-8 | PBT | Light Gray | YES |

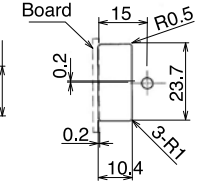
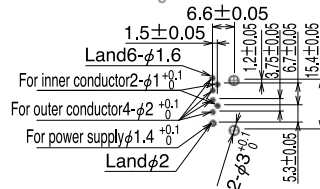
| Part | Material | Color/Finish |
|-----------------------|--------------|--------------|
| Housing | PBT | — |
| Center terminal | Copper alloy | Tin plating |
| Outside tube terminal | Copper alloy | Tin plating |
| Metal bracket | Copper alloy | Tin plating |

Printed Circuit Board Type (2 Coaxials + 1 Power contact)

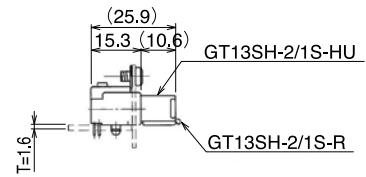


Recommended Board Mounting Pattern

Recommended Panel Cut-out



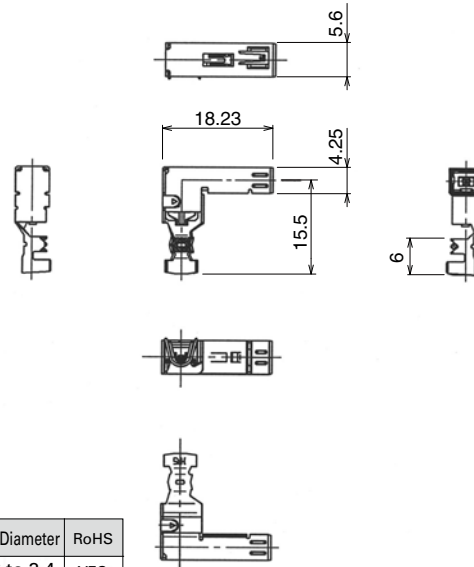
Shown with inserted retainer



| Part Number | HRS No. | Material | Color | RoHS |
|------------------|------------|----------|------------|------|
| GT13SHA-2/1PP-DS | 763-0063-0 | PBT | Light Gray | YES |

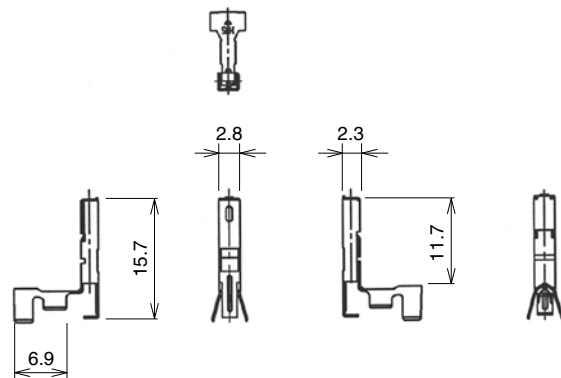
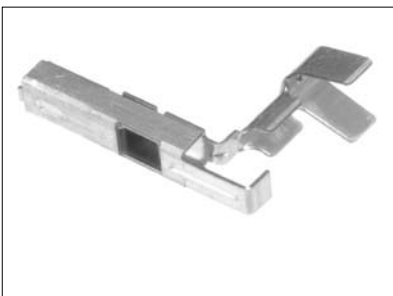
| Part | Material | Color/Finish |
|-----------------------|--------------|--------------|
| Housing | PBT | — |
| Center terminal | Copper alloy | Tin plating |
| Outside tube terminal | Copper alloy | Tin plating |
| Power terminal | Copper alloy | Tin plating |
| Metal bracket | Copper alloy | Tin plating |

F Terminal



| Part Number | HRS No. | Conductor Size (AWG) | Inner Insulation Diameter | Outer Diameter | RoHS |
|---------------------|---------------|----------------------|---------------------------|----------------|------|
| GT13R-1.6-2.9SC(70) | 763-0073-4-70 | AWG#20~22 | φ 1.5 to 2 | φ 2.6 to 3.4 | YES |

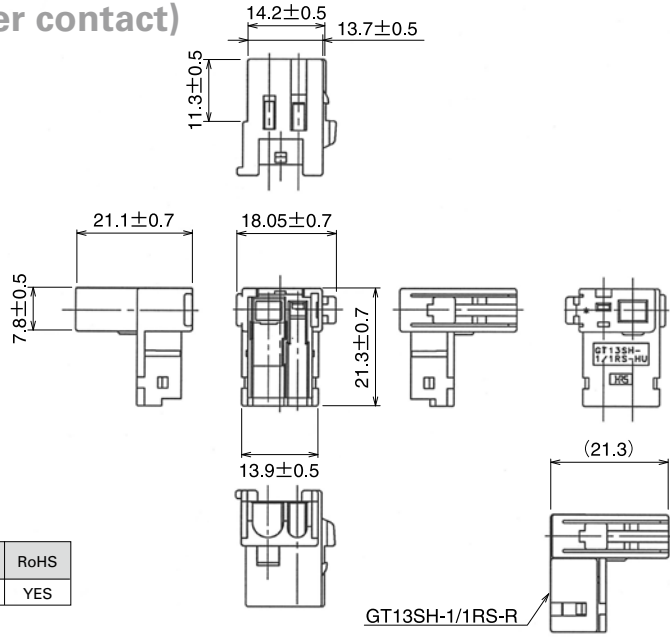
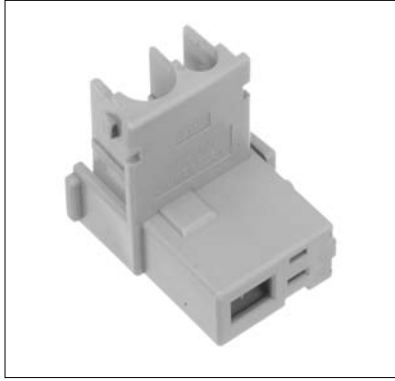
F Terminal



| Part Number | HRS No. | Conductor Size (AWG) | Outer Diameter | RoHS |
|--------------|------------|----------------------|----------------|------|
| GT7RA-2022SC | 757-0032-5 | AWG#20~22 | φ 2.6 to 3.1 | YES |

GT 5
 GT 13
 GT 16
 PO5G
 GT 11
 GT 17
 GT 19
 GT 26
 GT 27
 GT 3
 GT 6W
 GT 7
 GT 10
 GT 18W
 GT 15
 GT 8
 GT 9
 GT 25
 GT 22

F Housing(1 Coaxial +1 Power contact)



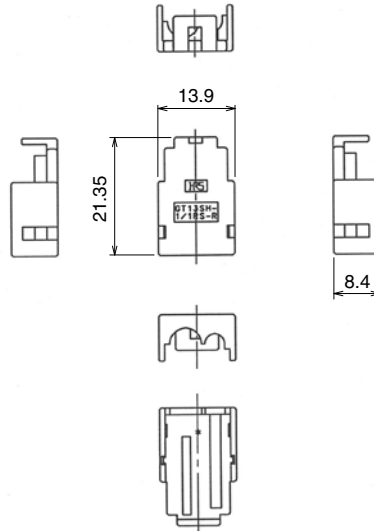
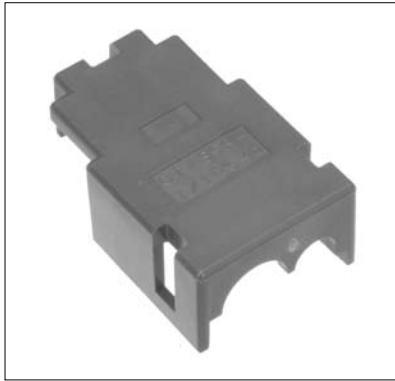
GT13SH-1/1RS-R

◆ Shown with inserted retainer

| Part Number | HRS No. | Material | Color | RoHS |
|-----------------|------------|----------|------------|------|
| GT13SH-1/1RS-HU | 763-0074-7 | PBT | Light Gray | YES |

Note1 : GT7RA-2022SC is used for power supply terminals.
 Note2 : GT13R-1.6-2.9SC is used for signal.

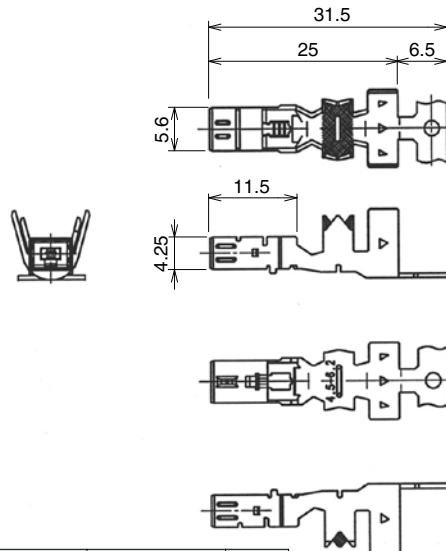
● Retainer (Used with GT13SH-1/1RS-HU)



| Part Number | HRS No. | Material | Color | RoHS |
|----------------|------------|----------|-----------|------|
| GT13SH-1/1RS-R | 763-0075-0 | PBT | Dark Gray | YES |

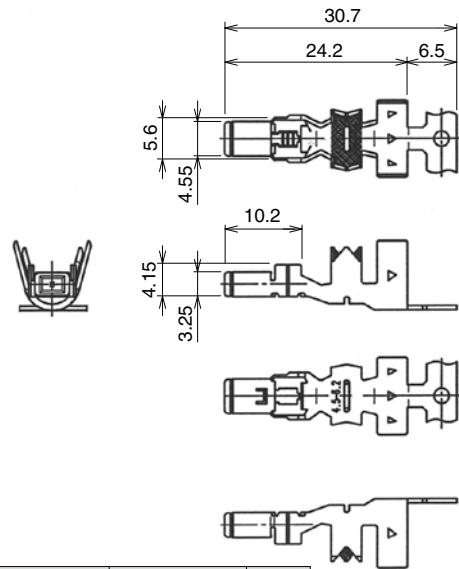
GT13GM Series

F Terminals



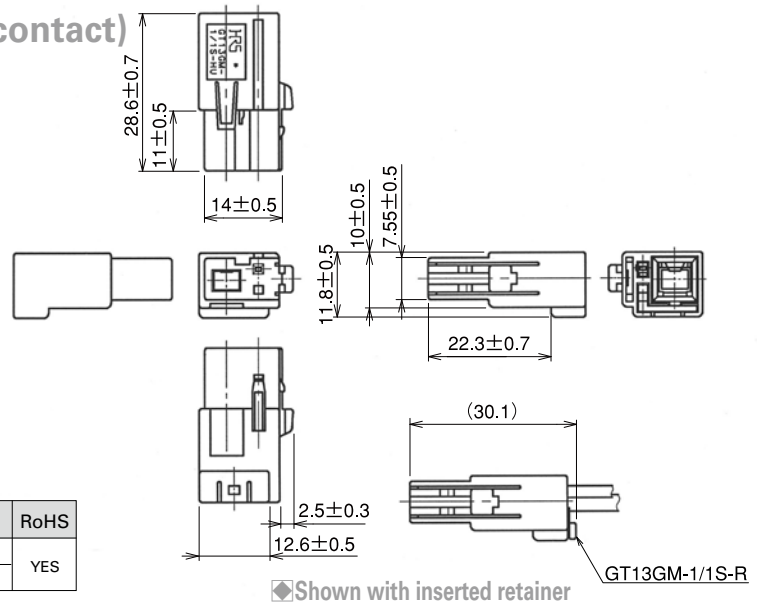
| Part Number | HRS No. | Conductor Size (AWG) | Inner Insulation Diameter | Outer Diameter | Packaging | RoHS |
|------------------------|------------|----------------------|---------------------------|----------------|---------------|------|
| GT13GM-2022/4.5-6.2SCF | 763-0084-0 | AWG#20~22 | φ 4.2 to 4.8 | φ 5.8 to 6.6 | 1400 pcs/reel | YES |

M Terminals



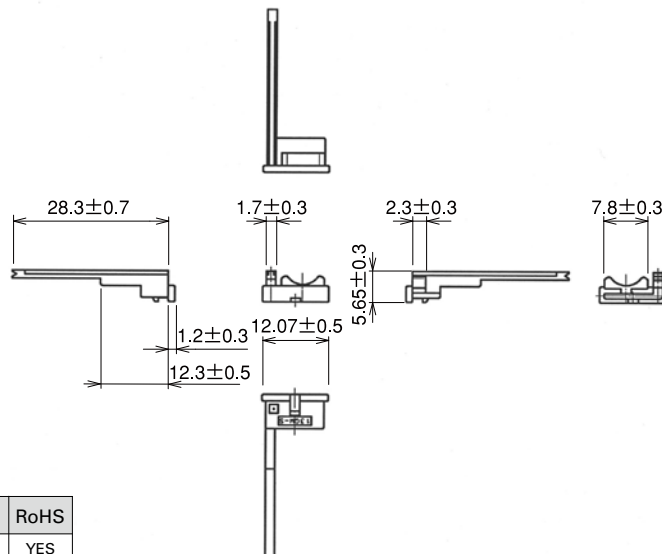
| Part Number | HRS No. | Conductor Size (AWG) | Inner Insulation Diameter | Outer Diameter | Packaging | RoHS |
|------------------------|------------|----------------------|---------------------------|----------------|---------------|------|
| GT13GM-2022/4.5-6.2PCF | 763-0085-3 | AWG#20~22 | φ 4.2 to 4.8 | φ 5.8 to 6.6 | 1400 pcs/reel | YES |

F Housing(1 Coaxial +1 Power contact)



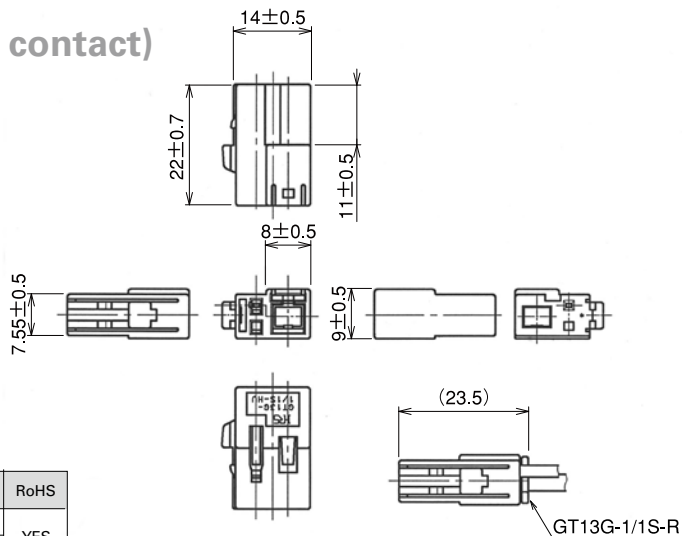
| Part Number | HRS No. | Material | Color | RoHS |
|--------------------|---------------|----------|------------|------|
| GT13GM-1/1S-HU | 763-0088-6 | PBT | Light Gray | YES |
| GT13GM-1/1S-HU(22) | 763-0088-6-22 | PBT | White | |

Retainer (Only for GT13GM-1/1S-HU)



| Part Number | HRS No. | Material | Color | RoHS |
|---------------|------------|----------|-----------|------|
| GT13GM-1/1S-R | 763-0087-9 | PBT | Dark Gray | YES |

F Housing(1 Coaxial +1 Power contact)

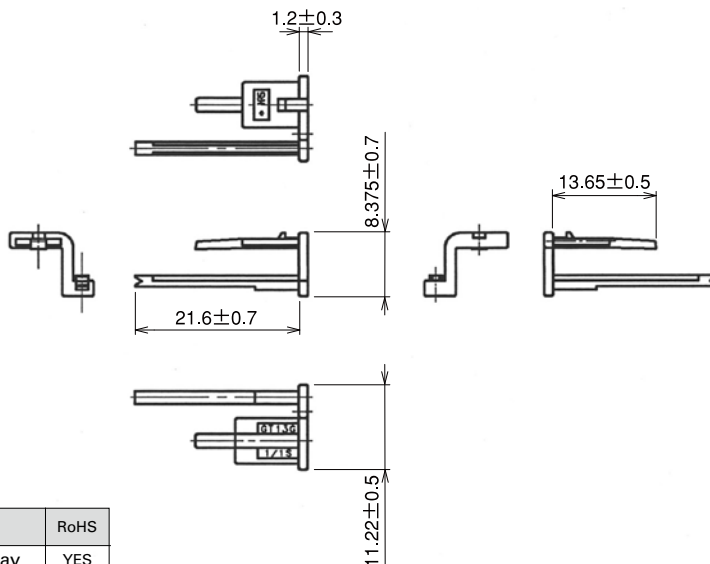


◆ Shown with inserted retainer

| Part Number | HRS No. | Material | Color | RoHS |
|-------------------|---------------|----------|------------|------|
| GT13G-1/1S-HU | 763-0090-3 | PBT | Light Gray | YES |
| GT13G-1/1S-HU(22) | 763-0090-3-22 | PBT | White | YES |

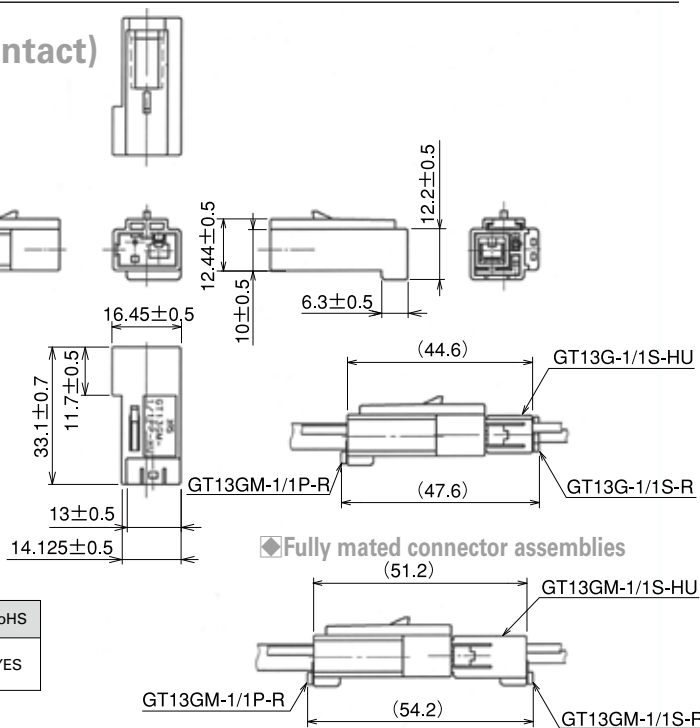
Note : Retor to page 30, 31 for F terminals.

● Retainer (Only for GT13G-1/1S-HU)



| Part Number | HRS No. | Material | Color | RoHS |
|--------------|------------|----------|-----------|------|
| GT13G-1/1S-R | 763-0091-6 | PBT | Dark Gray | YES |

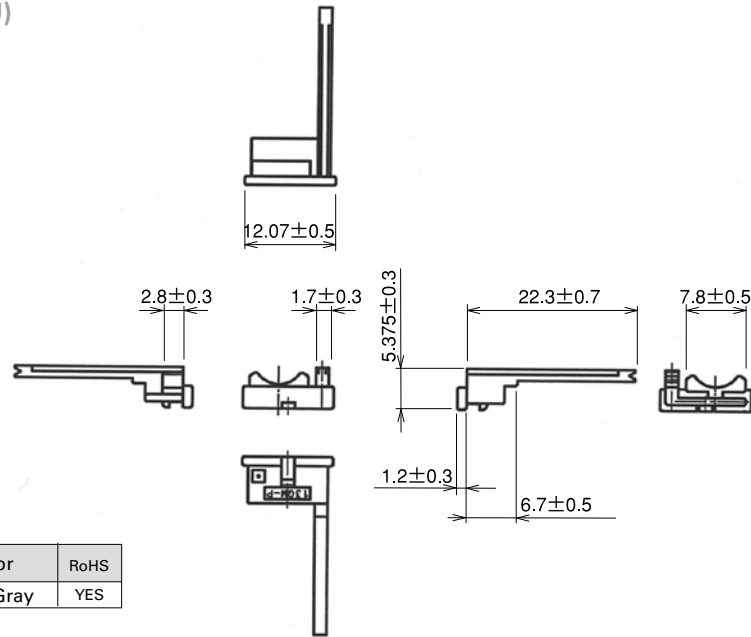
M Housing(1 Coaxial +1 Power contact)



◆ Fully mated connector assemblies

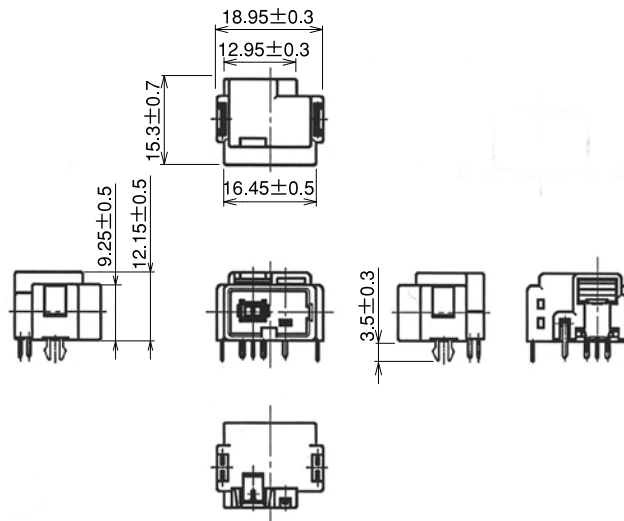
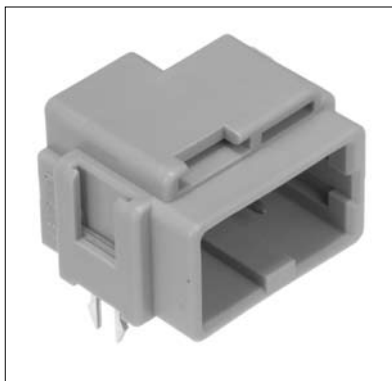
| Part Number | HRS No. | Material | Color | RoHS |
|---------------------|---------------|----------|-----------|------|
| GT13GM-1/1PP-HU | 763-0091-6 | PBT | Dark Gray | YES |
| GT13GM-1/1PP-HU(22) | 763-0091-6-22 | PBT | White | YES |

● Retainer (Only for GT13GM-1/1PP-HU)

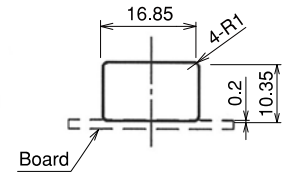


| Part Number | HRS No. | Material | Color | RoHS |
|---------------|------------|----------|-----------|------|
| GT13GM-1/1P-R | 763-0089-4 | PBT | Dark Gray | YES |

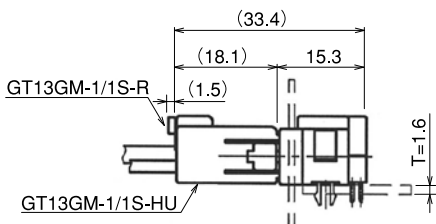
■ Printed Circuit Board Type (1 Coaxial + 1 Power contact)



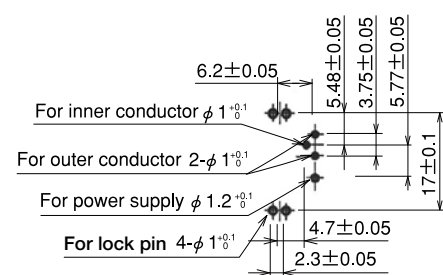
◆ Recommended Panel Cut-out



◆ Fully mated connector assemblies



◆ Recommended Board Mounting Pattern



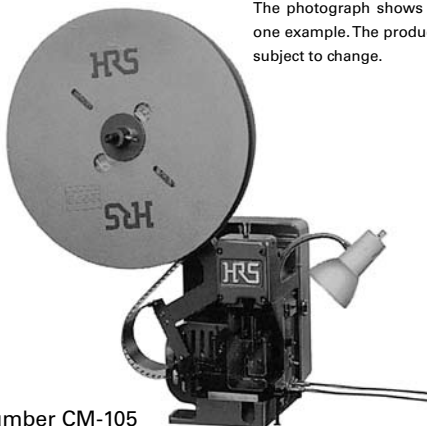
| Part Number | HRS No. | Material | Color | Corresponding F connector | RoHS |
|---------------------|---------------|----------|------------|---------------------------------|------|
| GT13GM-1/1PP-DS(10) | 763-0094-4-10 | PBT | Light Gray | GT13G-1/1S-HU GT13GM-1/1S-HU | YES |

| Part | Material | Color/Finish |
|-----------------------|--------------|--------------|
| Housing | PBT | — |
| Center terminal | Copper alloy | Tin plating |
| Outside tube terminal | Copper alloy | Tin plating |
| Power terminal | Copper alloy | Tin plating |
| Metal bracket | Copper alloy | Tin plating |

◆ Termination Tools

User's manuals are available. Please contact a Hirose Electric account representative.

Automatic Crimping Machine



The photograph shows just one example. The product is subject to change.

Part Number CM-105

* Crimp height setting tables are available for each cable type. Please contact your nearest Hirose Electric account representative.
Different cables will require different crimp height settings.

● **Special reel stand is required.**

● Harness Tool

| Part Number | HRS No. |
|---------------------------|------------|
| AP105-GT13-2428/1.6-2.9-S | 901-5073-1 |
| AP105-GT13-2428/1.6-2.9P | 901-5074-7 |
| AP105-GT13-30/1.6-2.9S-ID | 901-5099-5 |
| AP105-GT13-30/1.6-2.9P-ID | 901-5118-8 |
| AP105-GT13-30/1.6-2.9S | 901-5116-2 |
| AP105-GT13-30/1.6-2.9P | 901-5119-0 |

Specifications

| Item | Specification | Remarks |
|-------------------|-------------------|---------------|
| Specification | 1.5tons | |
| Stroke Length | 30mm | |
| Number of strokes | 200spm (50Hz) | 200spm (60Hz) |
| Weight | 75kg | |
| Motor | 0.2kW | AC 100V |
| Crimping speed | 2000 to 4000pcs/h | |

Данный компонент на территории Российской Федерации

Вы можете приобрести в компании MosChip.

Для оперативного оформления запроса Вам необходимо перейти по данной ссылке:

<http://moschip.ru/get-element>

Вы можете разместить у нас заказ для любого Вашего проекта, будь то серийное производство или разработка единичного прибора.

В нашем ассортименте представлены ведущие мировые производители активных и пассивных электронных компонентов.

Нашей специализацией является поставка электронной компонентной базы двойного назначения, продукции таких производителей как XILINX, Intel (ex.ALTERA), Vicor, Microchip, Texas Instruments, Analog Devices, Mini-Circuits, Amphenol, Glenair.

Сотрудничество с глобальными дистрибьюторами электронных компонентов, предоставляет возможность заказывать и получать с международных складов практически любой перечень компонентов в оптимальные для Вас сроки.

На всех этапах разработки и производства наши партнеры могут получить квалифицированную поддержку опытных инженеров.

Система менеджмента качества компании отвечает требованиям в соответствии с ГОСТ Р ИСО 9001, ГОСТ РВ 0015-002 и ЭС РД 009

Офис по работе с юридическими лицами:

105318, г.Москва, ул.Щербаковская д.3, офис 1107, 1118, ДЦ «Щербаковский»

Телефон: +7 495 668-12-70 (многоканальный)

Факс: +7 495 668-12-70 (доб.304)

E-mail: info@moschip.ru

Skype отдела продаж:

moschip.ru

moschip.ru_4

moschip.ru_6

moschip.ru_9