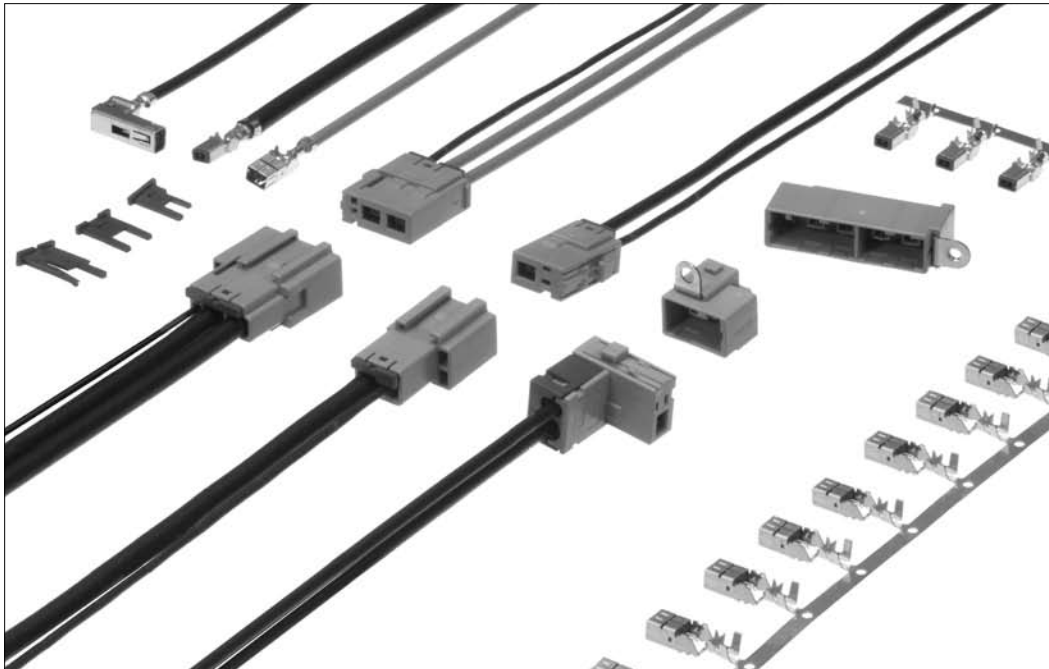


Termination of coaxial cables in automotive, medical and instrumentation applications utilizes one step to crimp the center conductor, shield and outer insulation.

GT13 Series

— Connectors for coaxial cables —



Features

- **Cost efficient termination**

Highly efficient and reliable one step crimp termination allows high volume production with semi-automatic equipment.

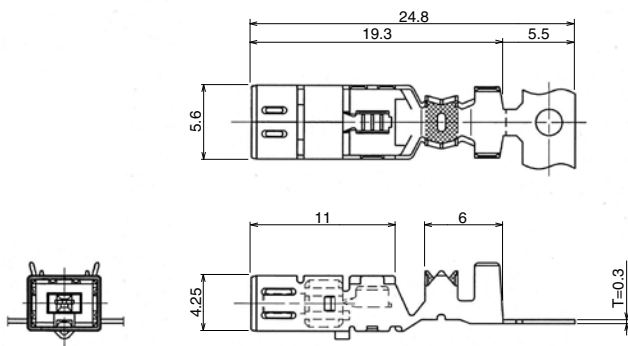
- **Space-saving Design**

Compact and light weight comparing with HRS GT5 series.

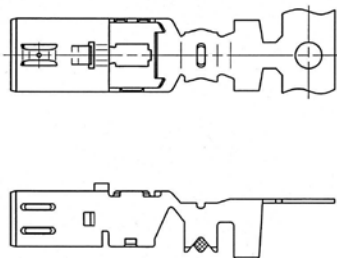
Applications

automotive audio systems.

F Terminals

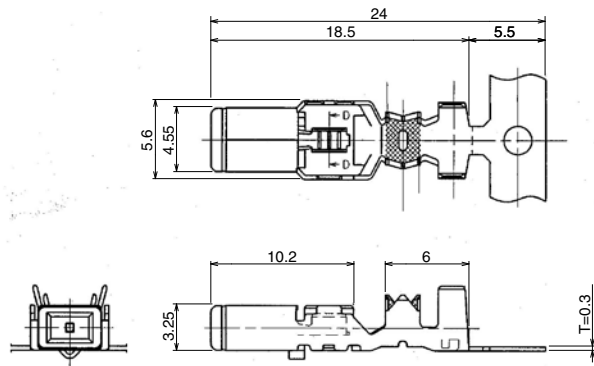


Part Number	HRS No.	Conductor Size (AWG)	Inner Insulation Diameter	Outer Diameter	Packaging	RoHS
GT13-2428/1.6-2.9SCF(70)	763-0001-3-70	AWG #24 to 28 or equivalent	φ 1.5 to 2.0	φ 2.7 to 3.4	3,000 pcs /reel	YES
GT13-30/1.6-2.9SCF(70)	763-0012-0-70	AWG #30 or equivalent		φ 2.3 to 2.7		
GT13-2428/1.6-2.5SCF(70)	763-0042-0-70	AWG #24 to 28 or equivalent	φ 3.0 to 3.6	φ 4.6 to 5.0	2,200 pcs /reel	
GT13-2428/F4-5SCF(70)	763-0051-1-70	AWG #24 to 28 or equivalent		φ 3.6 to 4.0		
GT13-30/F4-5SCF(70)	763-0067-1-70	AWG #30 or equivalent	φ 3.0 to 3.6	φ 4.6 to 5.0	2,200 pcs /reel	
GT13-30/F3.3-3.8SCF(70)	763-0052-4-70	AWG #30 or equivalent		φ 2.5 to 2.9		
GT13-2022/F4-5SCF(70)	763-0068-4-70	AWG #20 to 22 or equivalent	φ 3.0 to 3.6	φ 4.6 to 5.0	2,200 pcs /reel	

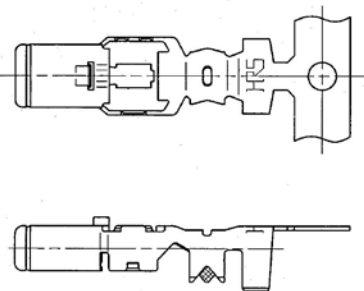


Item	Material	Color/Finish
Insulator	PBT	Dark Gray
Center terminals	Copper alloy	Tin plating
Outside tube terminals	Copper alloy	Tin plating

M Terminals

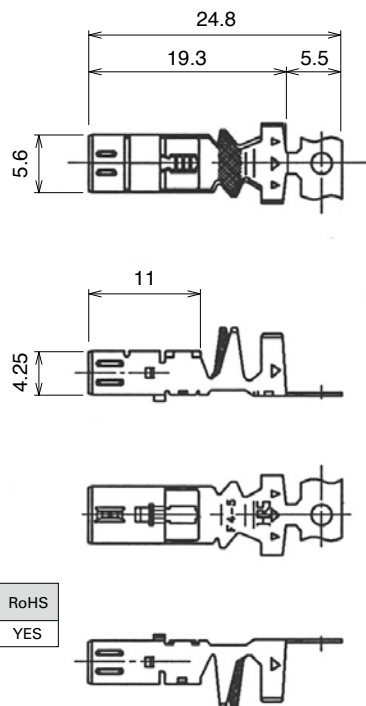


Part Number	HRS No.	Conductor Size (AWG)	Inner Insulation Diameter	Outer Diameter	Packaging	RoHS
GT13-2428/1.6-2.9PCF(70)	763-0002-6-70	AWG #24 to 28 or equivalent	φ 1.5 to 2.0	φ 2.7 to 3.4	4,000 pcs /reel	YES
GT13-30/1.6-2.9PCF(70)	763-0041-8-70	AWG #30 or equivalent		φ 2.3 to 2.7		
GT13-2428/1.6-2.5PCF(70)	763-0069-7-70	AWG #24 to 28 or equivalent	φ 3.0 to 3.6	φ 4.6 to 5.0	2,200 pcs /reel	
GT13-2428/F4-5PCF(70)	763-0054-0-70	AWG #24 to 28 or equivalent		φ 3.6 to 4.0		
GT13-30/F4-5PCF(70)	763-0066-9-70	AWG #30 or equivalent	φ 3.0 to 3.6	φ 4.6 to 5.0	2,200 pcs /reel	
GT13-30/F3.3-3.8PCF(70)	763-0053-7-70	AWG #30 or equivalent		φ 2.5 to 2.9		
GT13-2428/F3.3-3.8PCF(70)	763-0079-0-70	AWG #24 to 28 or equivalent	φ 3.0 to 3.6	φ 4.6 to 5.0	2,200 pcs /reel	
GT13-2022/F4-5PCF(70)	763-0068-4-70	AWG #20 to 22 or equivalent		φ 3.0 to 3.6		φ 4.6 to 5.0



Item	Material	Color/Finish
Insulator	PBT	Dark Gray
Center terminals	Copper alloy	Tin plating
Outside tube terminals	Copper alloy	Tin plating

Low insertion F Terminals

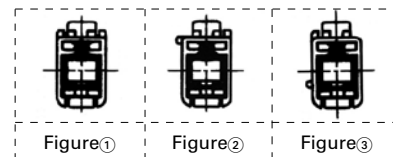
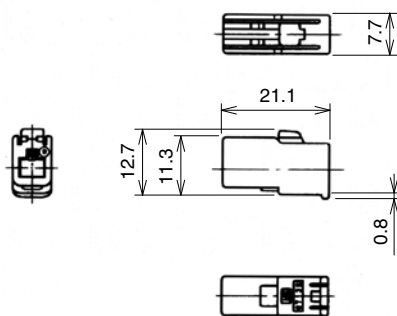


Part Number	HRS No.	Conductor Size (AWG)	Inner Insulation Diameter	Outer Diameter	Packaging	RoHS
GT13L-2428/F4-5SCF	763-0098-5	AWG #24 to 28 or equivalent	φ 3.0 to 3.6	φ 4.6 to 5.0	2,200pcs/reel	YES

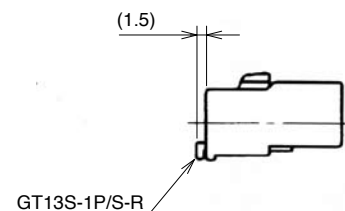
Item	Material	Color/Finish
Insulator	PBT	Dark Gray
Center terminals	Copper alloy	Tin plating
Outside tube terminals	Copper alloy	Tin plating

13S Series

F Housing(1 coaxial)



◆ Shown with inserted retainer.

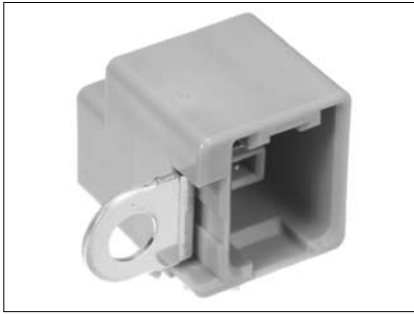


Part Number	HRS No.	Material	Color	Key polarizing code	RoHS
GT13S-1S-HU	763-0024-9	PBT	Light Gray	Figure①	YES
GT13S-1S-HU (A)	763-0025-1	PBT	Brown	Figure②	
GT13S-1S-HU (B)	763-0026-4	PBT	Green	Figure③	

Coaxial cable connection of Antennas, Sensors, and Communication Trunk Lines

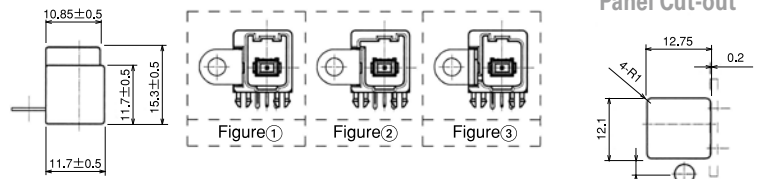
- GT 5
- GT 13**
- GT 16
- PO5G
- GT 11
- GT 17
- GT 19
- GT 26
- GT 27
- GT 3
- GT 6W
- GT 7
- GT 10
- GT 18W
- GT 15
- GT 8
- GT 9
- GT 25
- GT 22

Printed Circuit Board Type (1 coaxial)



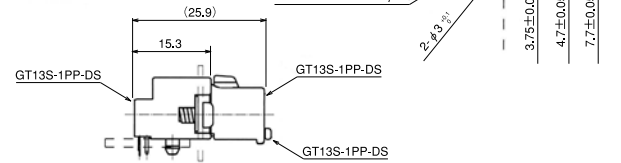
Part Number	HRS No.	Color	Key polarizing code	RoHS
GT13S-1PP-DS	763-0027-7	Light Gray	Figure①	YES
GT13S-1PP-DS (A)	763-0028-0	Brown	Figure②	
GT13S-1PP-DS (B)	763-0029-2	Green	Figure③	

Part	Material	Color/Finish
Housing	PBT	—
Center terminal	Copper alloy	Tin plating
Outside tube terminal	Copper alloy	Tin plating
Metal bracket	Copper alloy	Tin plating



Recommended Board Mounting Pattern

Fully mated connector assemblies

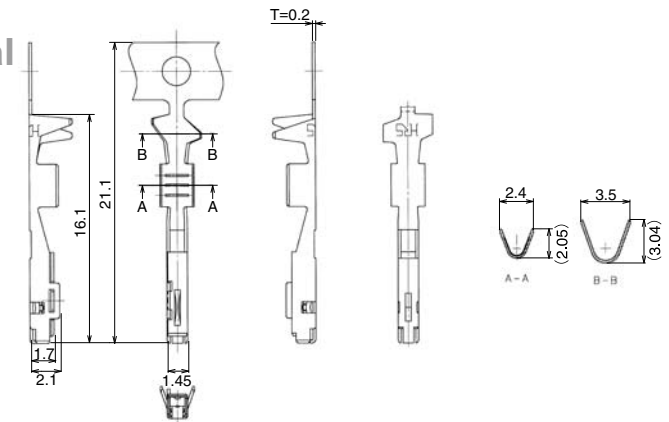


GT13SC Series

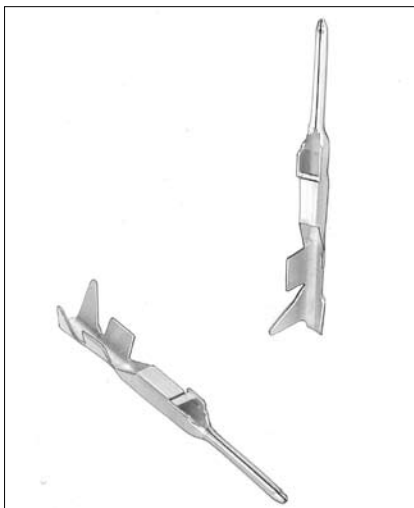
F Connector Power Supply Terminal



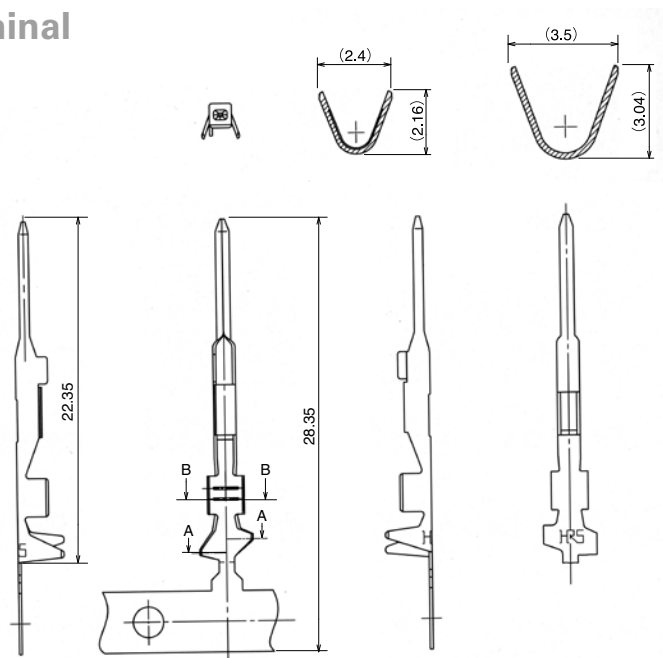
Part Number	HRS No.	Packaging	RoHS
GT10A-2022SCF	760-0014-6	8,000 pcs/reel	YES



M Connector Power Supply Terminal

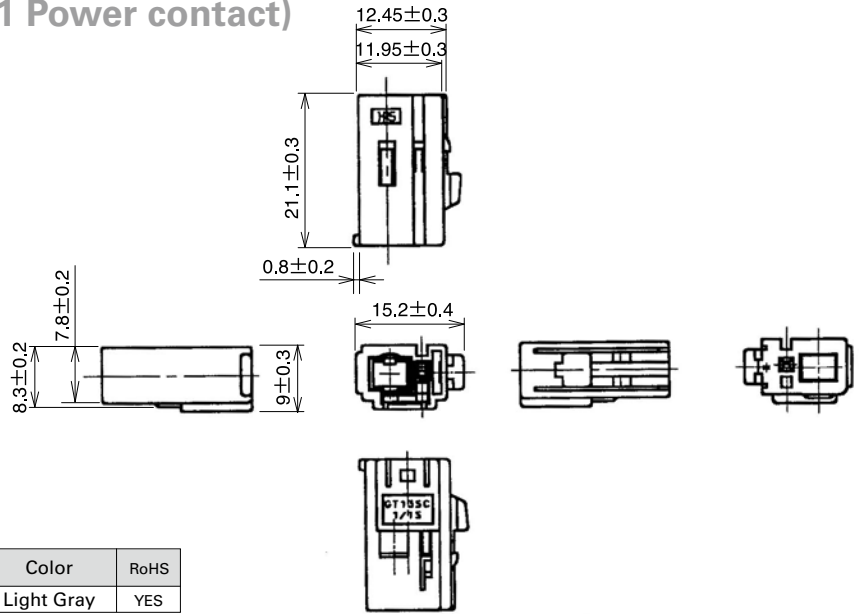


Part Number	HRS No.	Packaging	RoHS
GT10SC-2022PCF	760-0016-1	7,000 pcs/reel	YES
GT10A-2022PCF	760-0015-9	10,000 pcs/reel	



GT 5
 GT 13
 GT 16
 PO5G
 GT 11
 GT 17
 GT 19
 GT 26
 GT 27
 GT 3
 GT 6W
 GT 7
 GT 10
 GT 18W
 GT 15
 GT 8
 GT 9
 GT 25
 GT 22

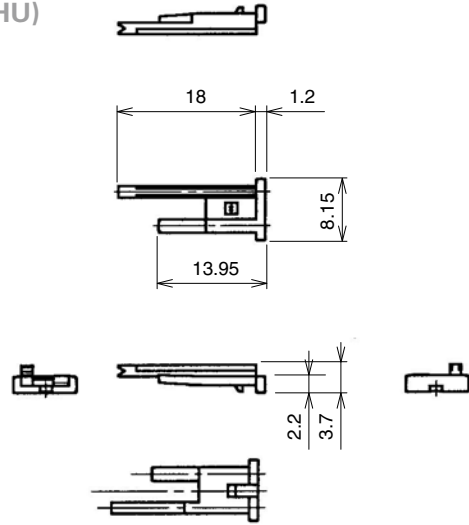
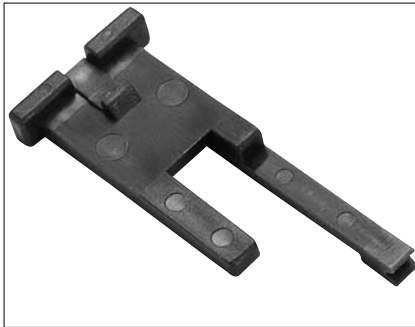
F Housing(1 Coaxial +1 Power contact)



Part Number	HRS No.	Material	Color	RoHS
GT13SC-1/1S-HU	763-0010-4	PBT	Light Gray	YES

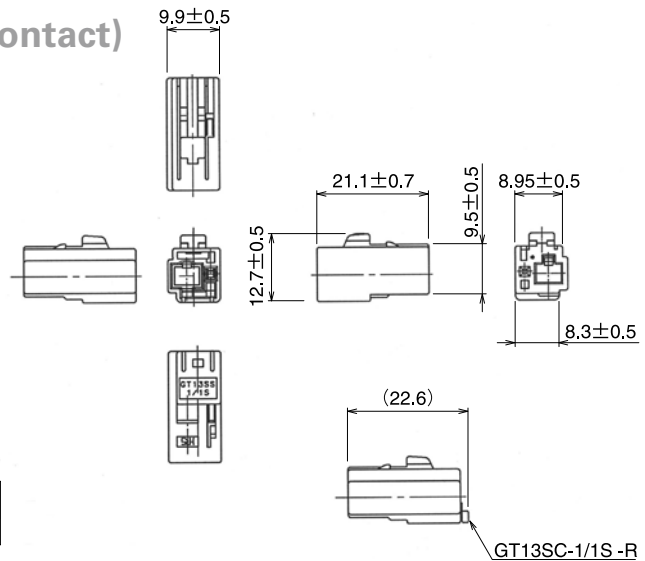
Note : GT10A-2022SCF is used for power supply terminals.

● Retainer(Used with GT13SC-1/1S-HU, GT13SS-1/1S-HU)



Part Number	HRS No.	Material	Color	RoHS
GT13SC-1/1S-R	763-0011-7	PBT	Dark Gray	YES

F Housing(1 Coaxial + 1 Power contact)

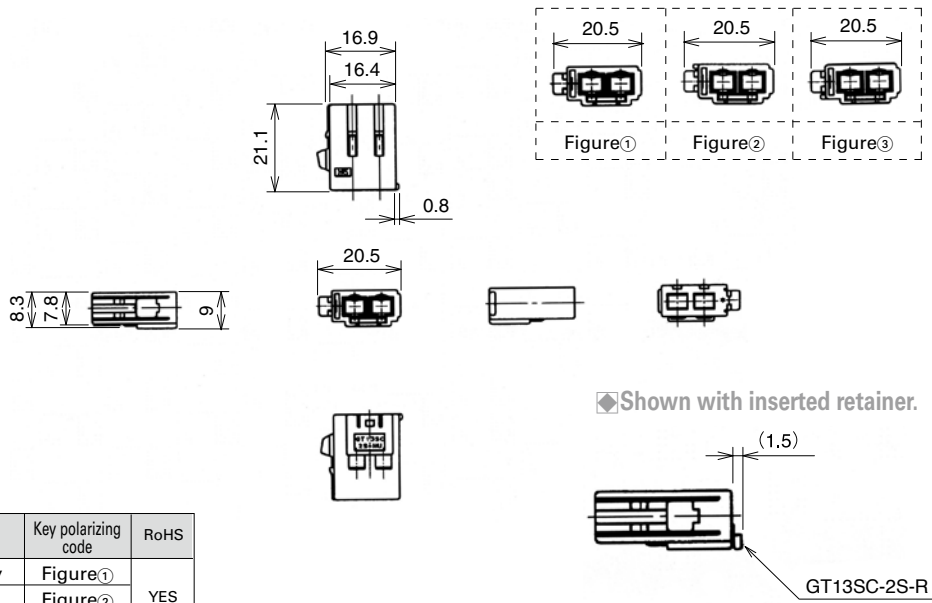


Part Number	HRS No.	Material	Color	RoHS
GT13SS-1/1S-HU	763-0093-1	PBT	Light Gray	YES

Note : GT10A-2022SCF is used for power supply terminals.

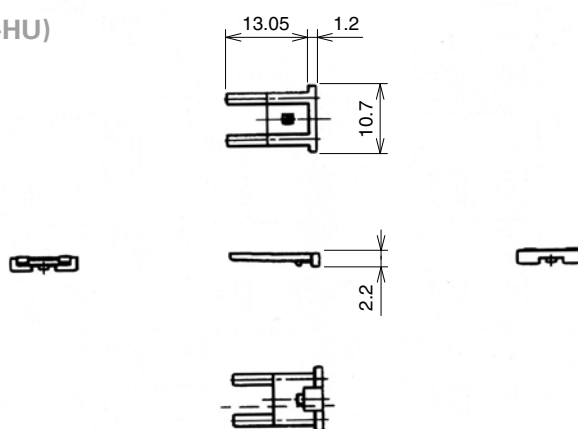
◆ Shown with inserted retainer.

F Housing(2 coaxials)



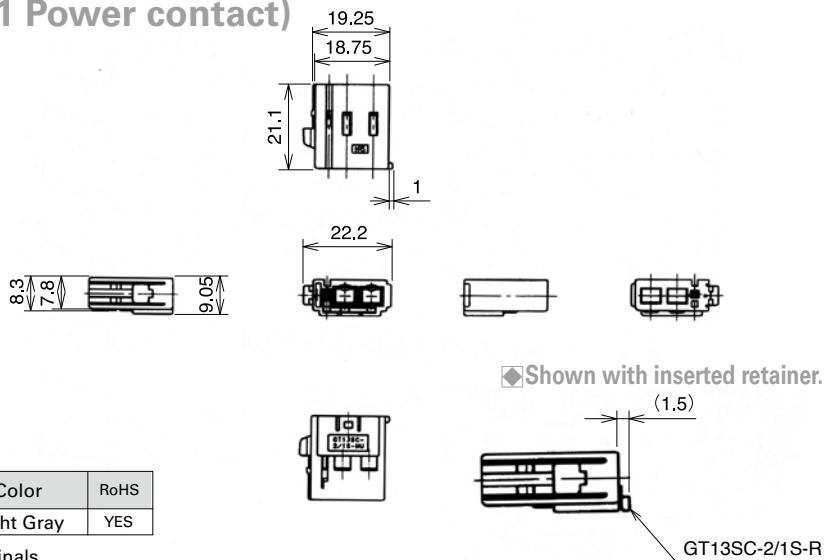
Part Number	HRS No.	Color	Key polarizing code	RoHS
GT13SC-2S-HU	763-0014-5	Light Gray	Figure①	YES
GT13SC-2S-HU (A)	763-0043-3	Brown	Figure②	
GT13SC-2S-HU (B)	763-0037-0	Green	Figure③	

● Retainer (Used with GT13SC-2S-HU, GT13SCN-2PP-HU and GT13SCH-2PP-HU)



Part Number	HRS No.	Material	Color	RoHS
GT13SC-2S-R	763-0015-8	PBT	Dark Gray	YES

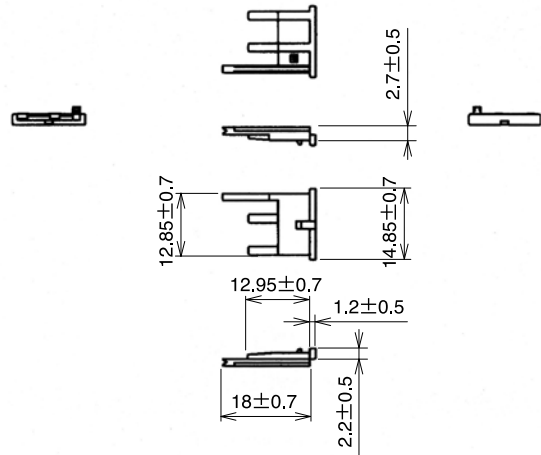
F Housing(2 Coaxials + 1 Power contact)



Part Number	HRS No.	Material	Color	RoHS
GT13SC-2/1S-HU	763-0016-0	PBT	Light Gray	YES

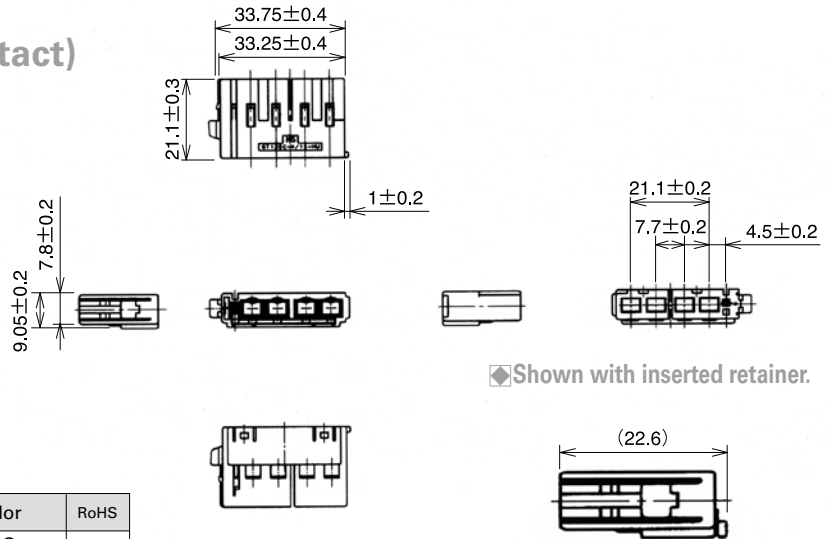
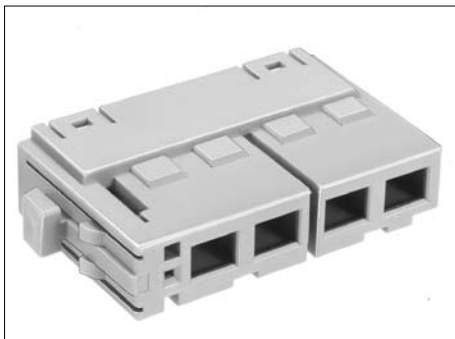
Note : GT10A-2022SCF is used for power supply terminals.

● Retainer (Only for GT13SC-2/1S-HU)



Part Number	HRS No.	Material	Color	RoHS
GT13SC-2/1S-R	763-0017-3	PBT	Dark Gray	YES

■ F Housing(4 Coaxials + 1 Power contact)

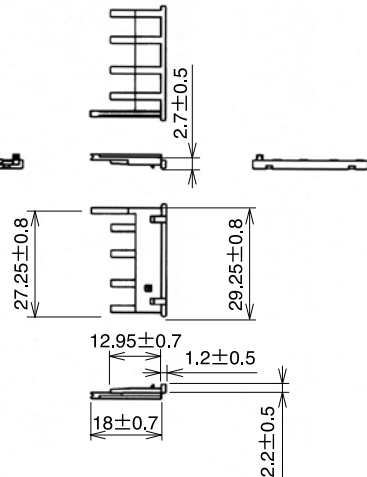
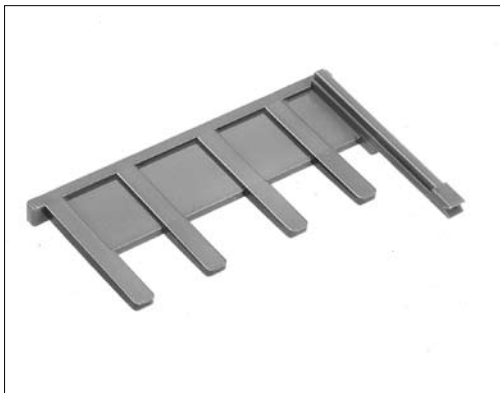


◆ Shown with inserted retainer.

Part Number	HRS No.	Material	Color	RoHS
GT13SC-4/1S-HU	763-0021-0	PBT	Light Gray	YES
GT13SC-4/1S-HU (A)	763-0022-3		Brown	

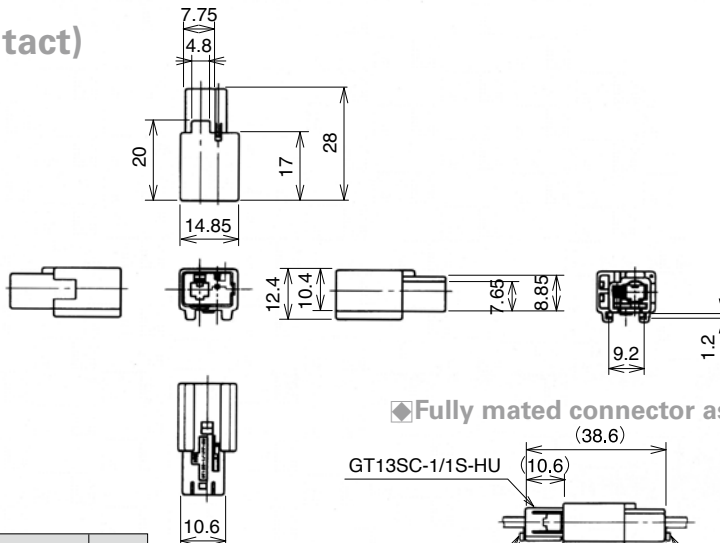
Note : GT10A-2022SCF is used for power supply terminals.

● Retainer (Only for GT13SC-4/1S-R)



Part Number	HRS No.	Material	Color	RoHS
GT13SC-4/1S-R	763-0023-6	PBT	Dark Gray	YES

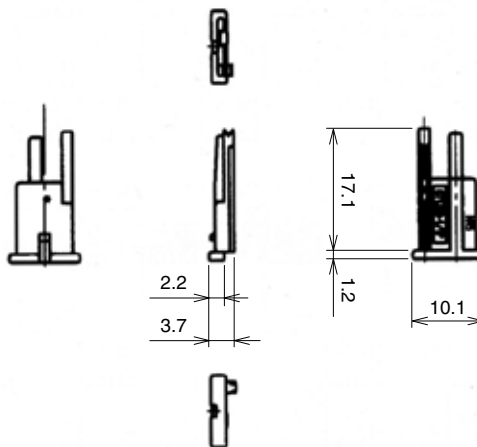
M Housing(1 Coaxial + 1 Power contact)



Part Number	HRS No.	Material	Color	RoHS
GT13SCN-1/1PP-HU	763-0036-8	PBT	Light Gray	YES

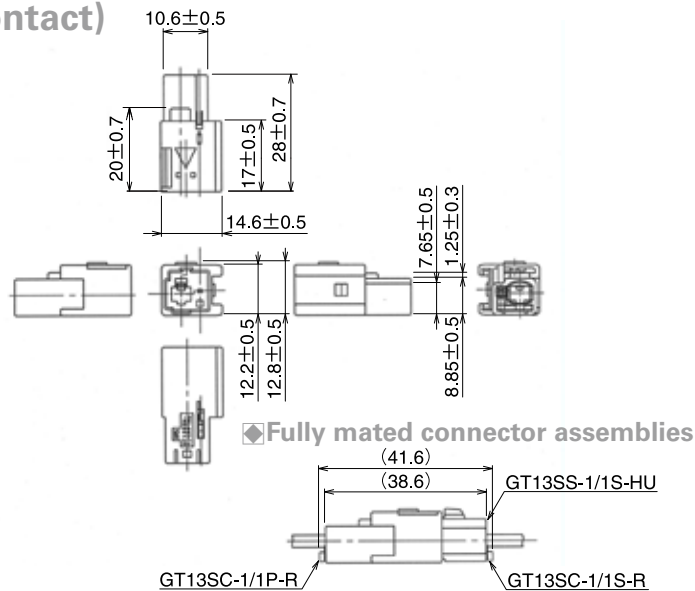
Note : GT10SC-2022PCF or GT10A-2022PCF is used for power supply terminals.

● Retainer (Only for GT13SCN-1/1PP-HU)



Part Number	HRS No.	Material	Color	RoHS
GT13SC-1/1P-R	763-0039-6	PBT	Dark Gray	YES

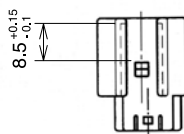
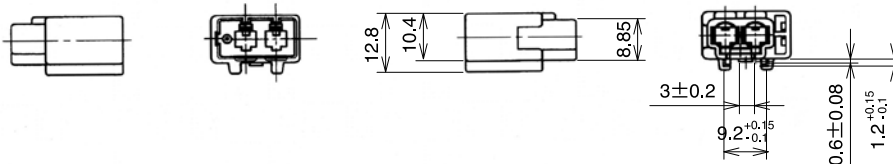
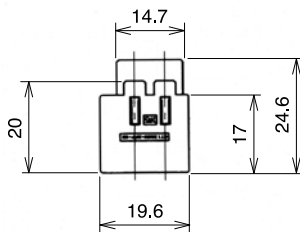
M Housing(1 Coaxial + 1 Power contact)



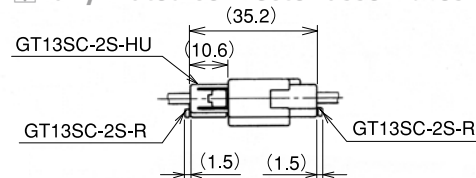
Part Number	HRS No.	Material	Color	RoHS
GT13SSN-1/1PP-HU	763-0092-9	PBT	Light Gray	YES

Note : GT10SC-2022PCF or GT10A-2022PCF is used for power supply terminals.

M Housing(2 coaxials)

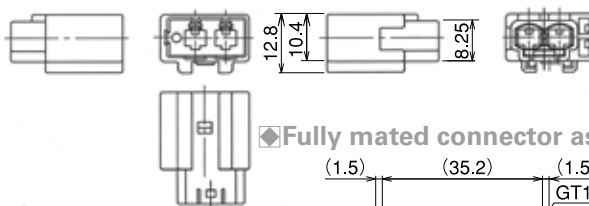
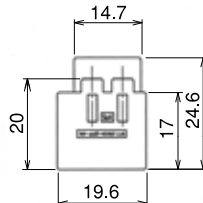
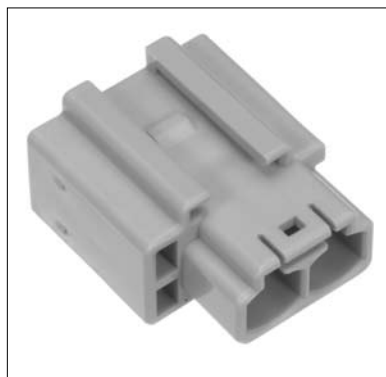


Fully mated connector assemblies

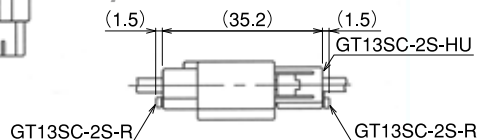


Part Number	HRS No.	Material	Color	RoHS
GT13SCN-2PP-HU	763-0046-1	PBT	Light Gray	YES

M Housing(2 coaxials)

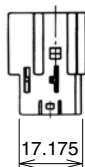
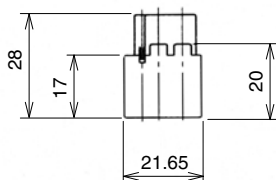
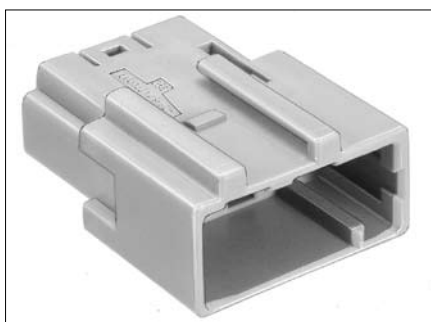


Fully mated connector assemblies

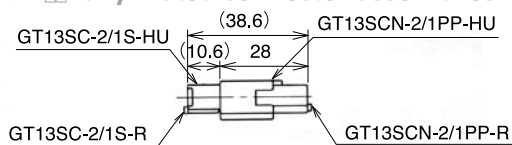


Part Number	HRS No.	Material	Color	RoHS
GT13SCH-2PP-HU	763-0072-1	PBT	Light Gray	YES

M Housing(2 Coaxials + 1 Power contact)



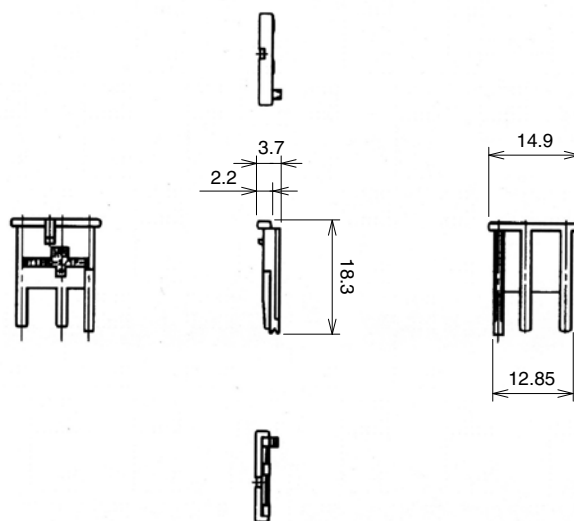
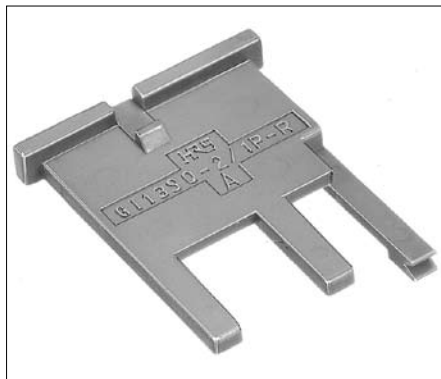
Fully mated connector assemblies



Part Number	HRS No.	Material	Color	RoHS
GT13SCN-2/1PP-HU	763-0038-3	PBT	Light Gray	YES

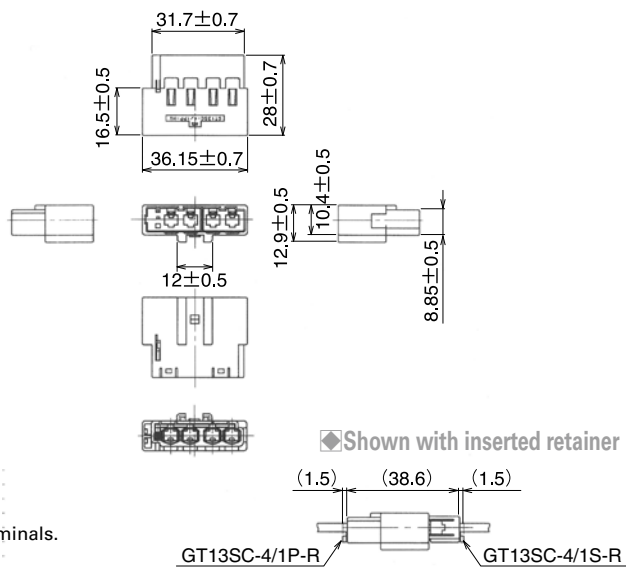
Note : GT10SC-2022PCF or GT10A-2022PCF is used for power supply terminals.

● Retainer (Only for GT13SCN-2/1PP-HU)



Part Number	HRS No.	Material	Color	RoHS
GT13SC-2/1PP-R	763-0040-5	PBT	Dark Gray	YES

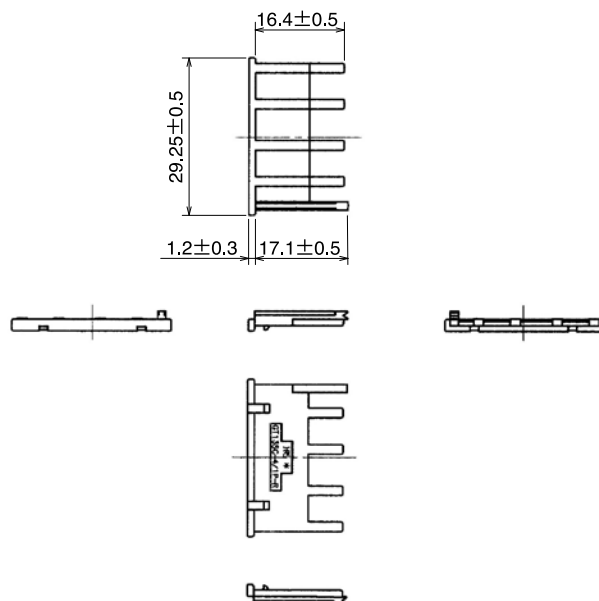
■ M Housing(4 Coaxials + 1 Power contact)



Part Number	HRS No.	Material	Color	RoHS
GT13SCH-4/1PP-HU	763-0060-2	PBT	Light Gray	YES

Note : GT10SC-2022PCF or GT10A-2022PCF is used for power supply terminals.

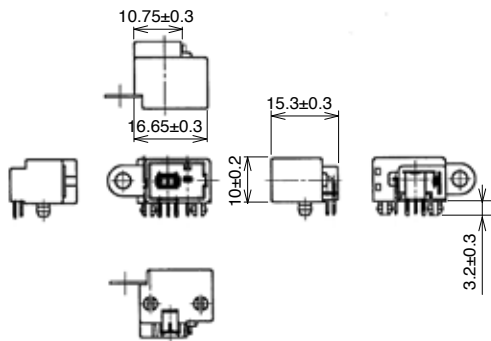
● Retainer



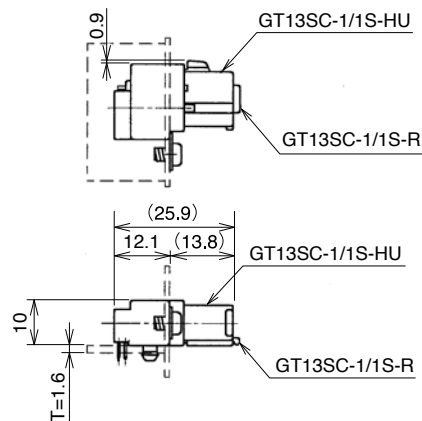
Part Number	HRS No.	Material	Color	RoHS
GT13SC-4/1P-R	763-0061-5	PBT	Dark Gray	YES

GT 5
GT 13
GT 16
GT 17
GT 19
GT 26
GT 27
GT 3
GT 6W
GT 7
GT 10
GT 18W
GT 15
GT 8
GT 9
GT 25
GT 22

Printed Circuit Board Type (1 Coaxial +1 Power contact)



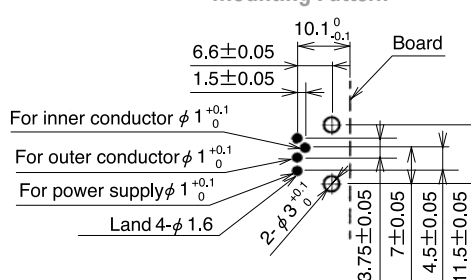
Fully mated connector assemblies



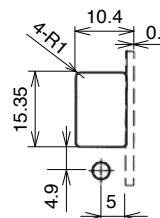
Part Number	HRS No.	Material	Color	RoHS
GT13SC-1/1PP-DS(70)	763-0009-5-70	PBT	Light Gray	YES

Part	Material	Color/Finish
Housing	PBT	—
Center terminal	Copper alloy	Tin plating
Outside tube terminal	Copper alloy	Tin plating
Power terminal	Copper alloy	Tin plating
Metal bracket	Copper alloy	Tin plating

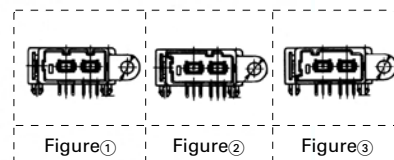
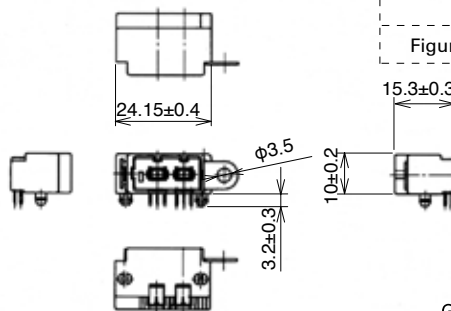
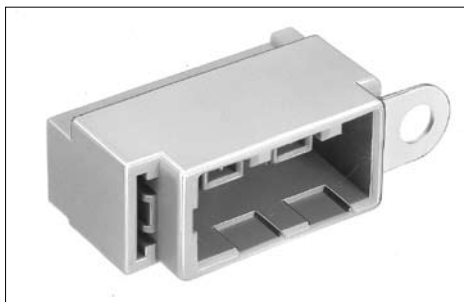
Recommended Board Mounting Pattern



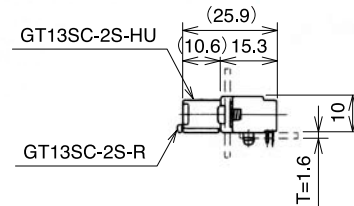
Recommended Panel Cutout



Printed Circuit Board Type (2 Coaxials)



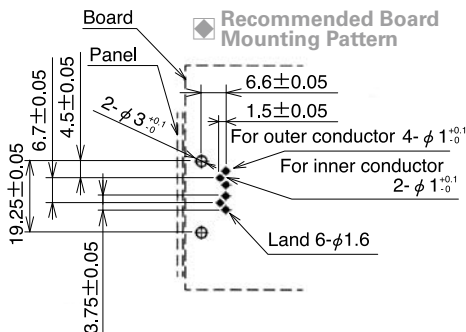
Fully mated connector assemblies



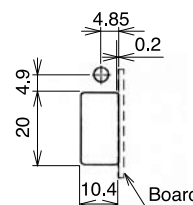
Part Number	HRS No.	Material	Color	RoHS
GT13SC-2PP-DS	763-0013-2	PBT	Light Gray	YES
GT13SC-2PP-DS (A)	763-0034-2	PBT	Brown	
GT13SC-2PP-DS (B)	763-0035-5	PBT	Green	

Part	Material	Color/Finish
Housing	PBT	—
Center terminal	Copper alloy	Tin plating
Outside tube terminal	Copper alloy	Tin plating
Metal bracket	Copper alloy	Tin plating

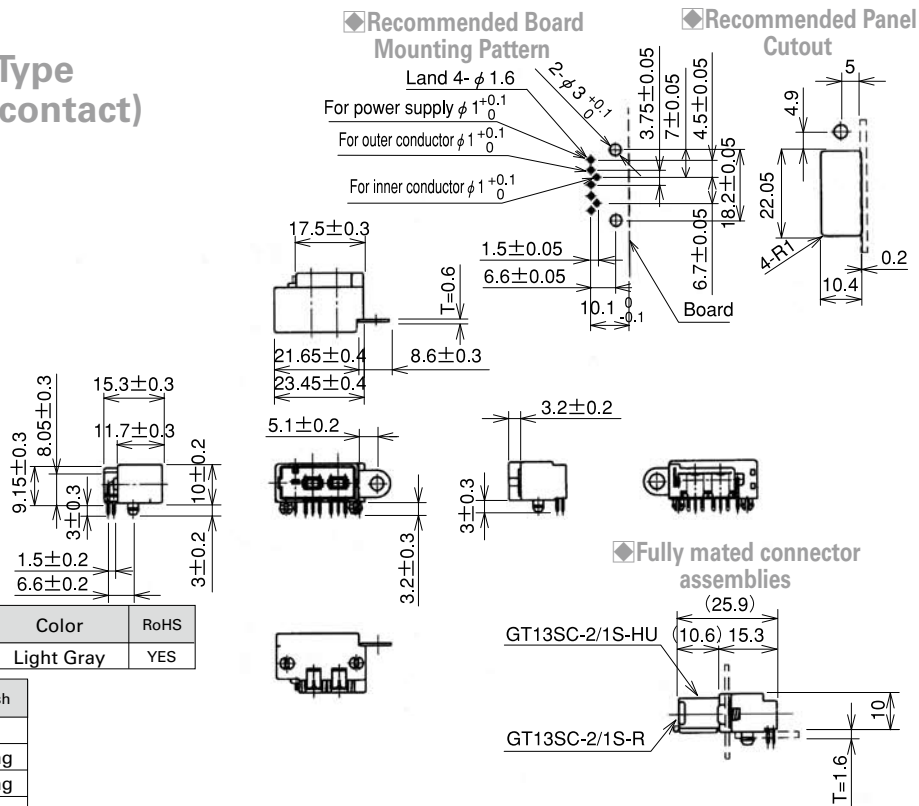
Recommended Board Mounting Pattern



Recommended Panel Cutout



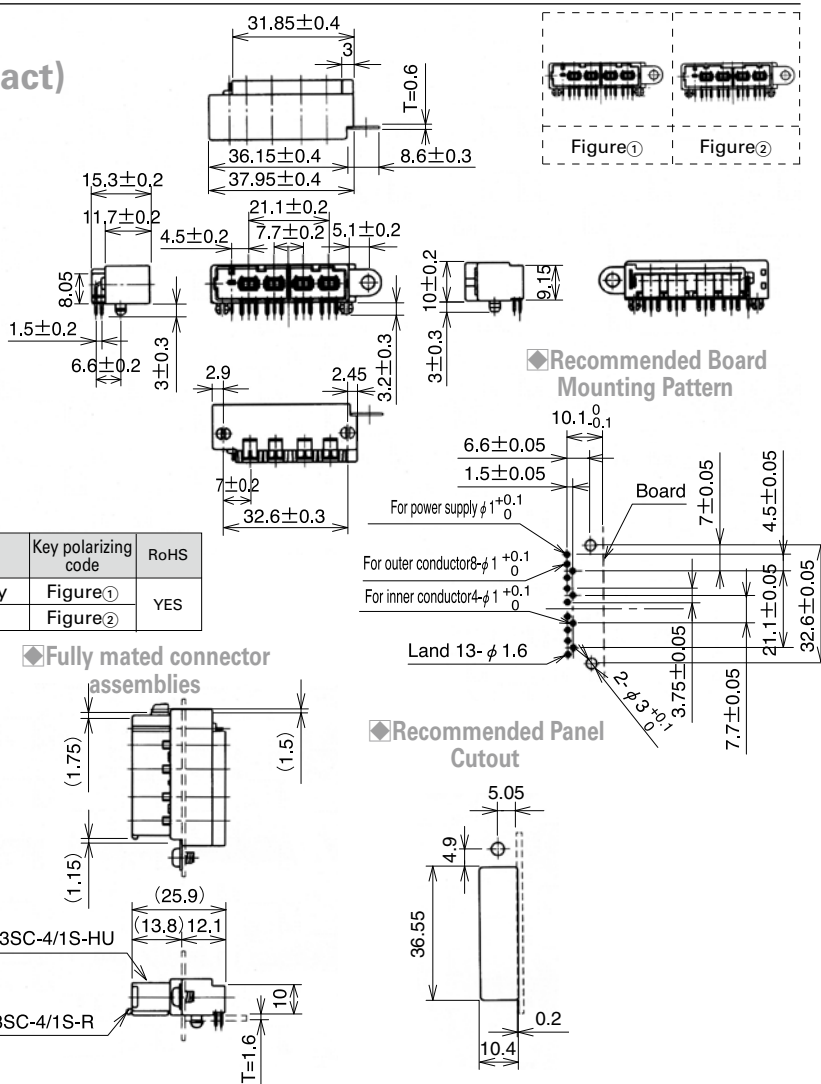
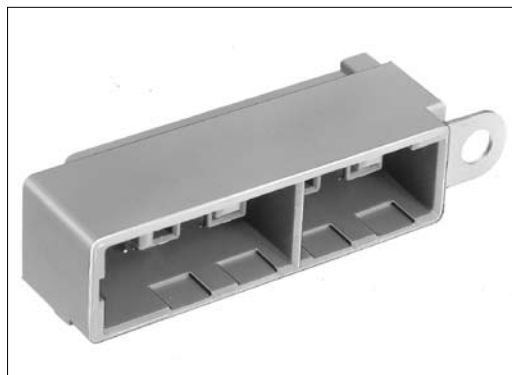
Printed Circuit Board Type (2 Coaxials + 1 Power contact)



Part Number	HRS No.	Material	Color	RoHS
GT13SC-2/1PP-DS(70)	763-0018-6-70	PBT	Light Gray	YES

Part	Material	Color/Finish
Housing	PBT	—
Center terminal	Copper alloy	Tin plating
Outside tube terminal	Copper alloy	Tin plating
Power terminal	Copper alloy	Tin plating
Metal bracket	Copper alloy	Tin plating

Printed Circuit Board Type (4 Coaxials + 1 Power contact)



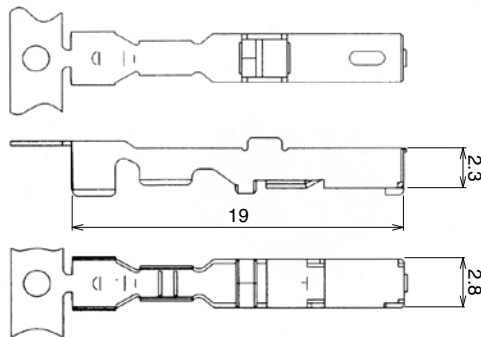
Part Number	HRS No.	Material	Color	Key polarizing code	RoHS
GT13SC-4/1PP-DS(70)	763-0019-9-70	PBT	Light Gray	Figure①	YES
GT13SC-4/1PP-DS (A)(70)	763-0020-8-70	PBT	Brown	Figure②	YES

Part	Material	Color/Finish
Housing	PBT	—
Center terminal	Copper alloy	Tin plating
Outside tube terminal	Copper alloy	Tin plating
Power terminal	Copper alloy	Tin plating
Metal bracket	Copper alloy	Tin plating

GT13SH Series

Power Supply Terminals

F Connector Terminals

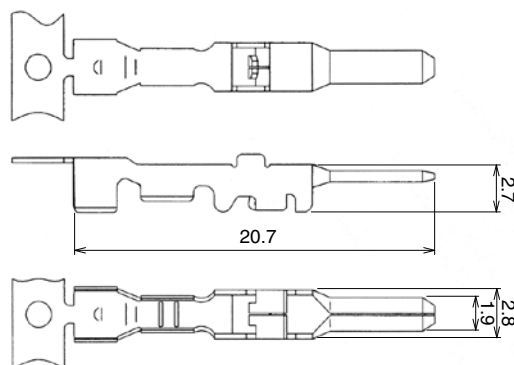


Part Number	HRS No.	Material	Finish	Conductor Size(AWG)	Inner Insulation Diameter	Packaging	RoHS
GT7-2022SCF(70)	757-0001-1-70	Copper alloy	Tin plating	#20 to 22	ϕ 1.4 to 2.4	5,000 pcs/reel	YES
GT7A-2022SCF(70)	757-0003-7-70			#20 to 22	ϕ 2.6 to 3.1	3,000 pcs/reel	

Note1 : Sold by the reel.(Sea above table for number of Packaging.)

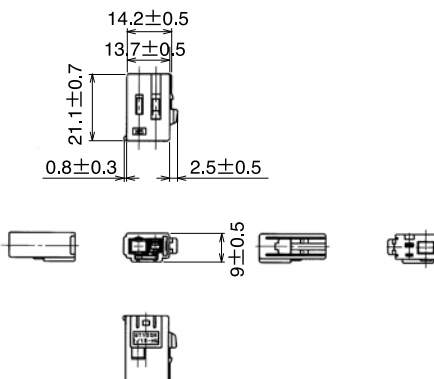
Note2 : This component is used only with applicable HRS housings.

M Connector Terminals



Part Number	HRS No.	Material	Finish	Conductor Size(AWG)	Inner Insulation Diameter	Packaging	RoHS
GT7-2022PCF(70)	757-0002-4-70	Brass	Tin plating	#20 to 22	ϕ 1.4 to 2.4	5,000 pcs/reel	YES
GT7A-2022PCF(70)	757-0004-0-70			#20 to 22	ϕ 2.6 to 3.1	3,000 pcs/reel	

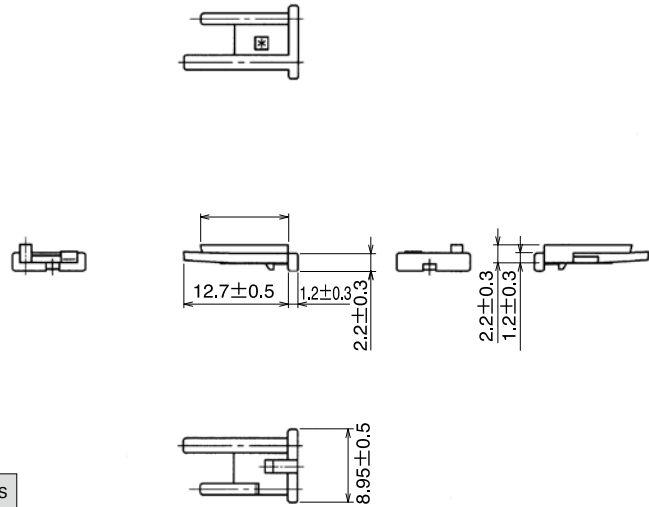
F Housing (1 Coaxial + 1 Power contact)



Part Number	HRS No.	Material	Color	RoHS
GT13SH-1/1S-HU	763-0048-7	PBT	Light Gray	YES
GT13SH-1/1S-HU(A)	763-0059-3	PBT	Brown	

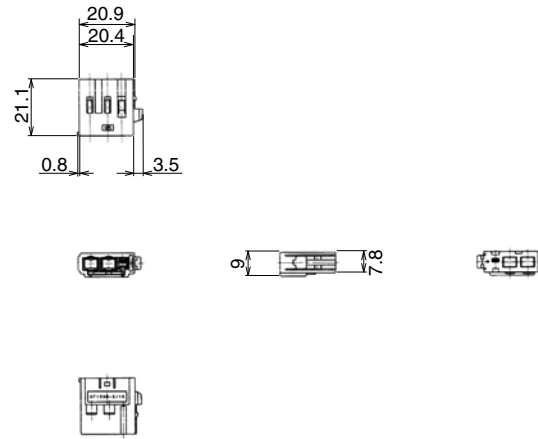
Note : GT7-2022SCF(70) or GT7A-2022SCF(70) is used for power supply terminals.

● Retainer



Part Number	HRS No.	Material	Color	RoHS
GT13SH-1/1S-R	763-0049-0	PBT	Dark Gray	YES

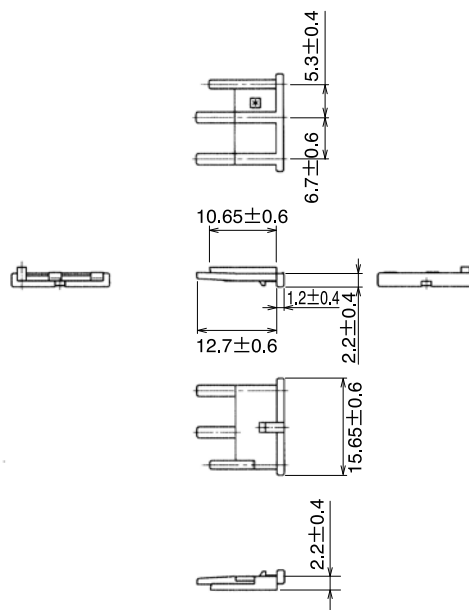
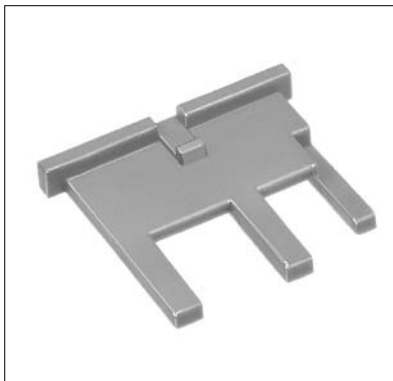
■ F Housing(2 Coaxials + 1 Power contact)



Part Number	HRS No.	Material	Color	RoHS
GT13SH-2/1S-HU	763-0065-6	PBT	Light Gray	YES

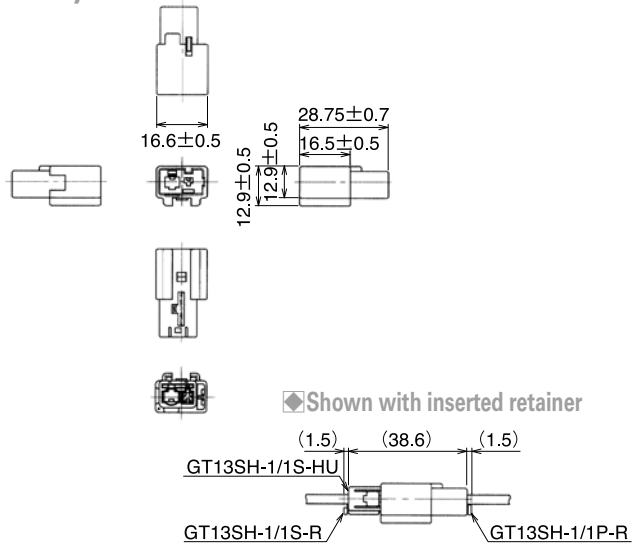
Note : GT7-2022SCF(70) or GT7A-2022SCF(70) is used for power supply terminals.

● Retainer



Part Number	HRS No.	Material	Color	RoHS
GT13SH-2/1S-R	763-0064-3	PBT	Dark Gray	YES

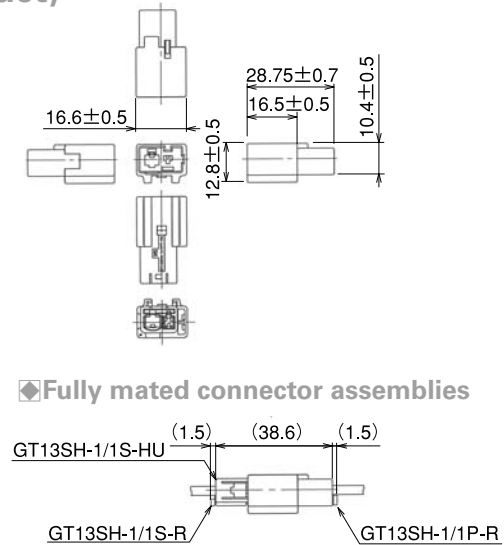
M Housing(1 Coaxial + 1 Power contact)



Part Number	HRS No.	Material	Color	RoHS
GT13SH-1/1PP-HU	763-0055-2	PBT	Light Gray	YES

Note : Power supply terminal is GT7-2022PCF(70) or GT7A-2022PCF(70).

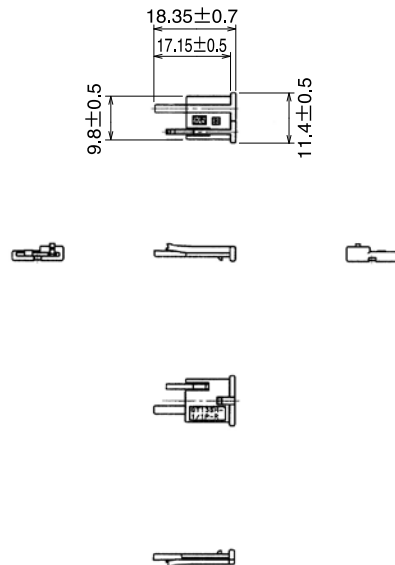
M Housing(1 Coaxial + 1 Power contact)



Part Number	HRS No.	Material	Color	RoHS
GT13SHN-1/1PP-HU	763-0078-8	PBT	Light Gray	YES

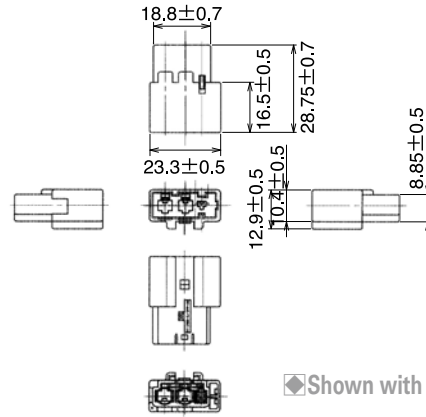
Note : Power supply terminal is GT7-2022PCF(70) or GT7A-2022PCF(70).

Retainer



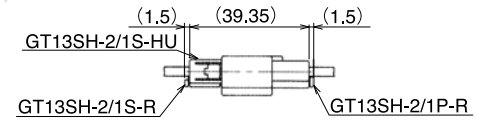
Part Number	HRS No.	Material	Color	RoHS
GT13SH-1/1P-R	763-0056-5	PBT	Dark Gray	YES

M Housing(2 Coaxials + 1 Power contact)

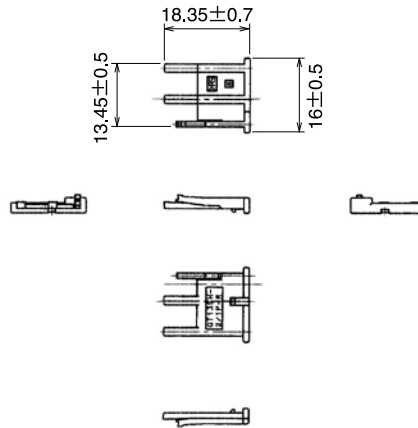
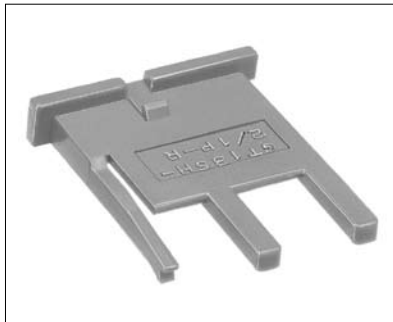


Part Number	HRS No.	Material	Color	RoHS
GT13SH-2/1PP-HU	763-0076-2	PBT	Light Gray	YES

Note : GT7-2022SCF(70) or GT7A-2022SCF(70) is used for power supply terminals.

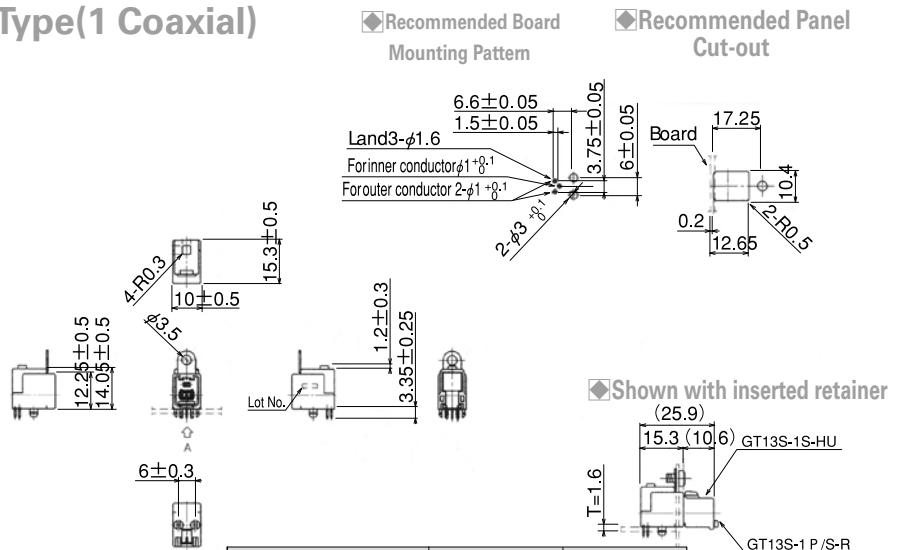


Retainer



Part Number	HRS No.	Material	Color	RoHS
GT13SH-2/1P-R	763-0077-5	PBT	Dark Gray	YES

Printed Circuit Board Type(1 Coaxial)



Part Number	HRS No.	Material	Color	RoHS
GT13SHA-1PP-DS	763-0062-8	PBT	Light Gray	YES

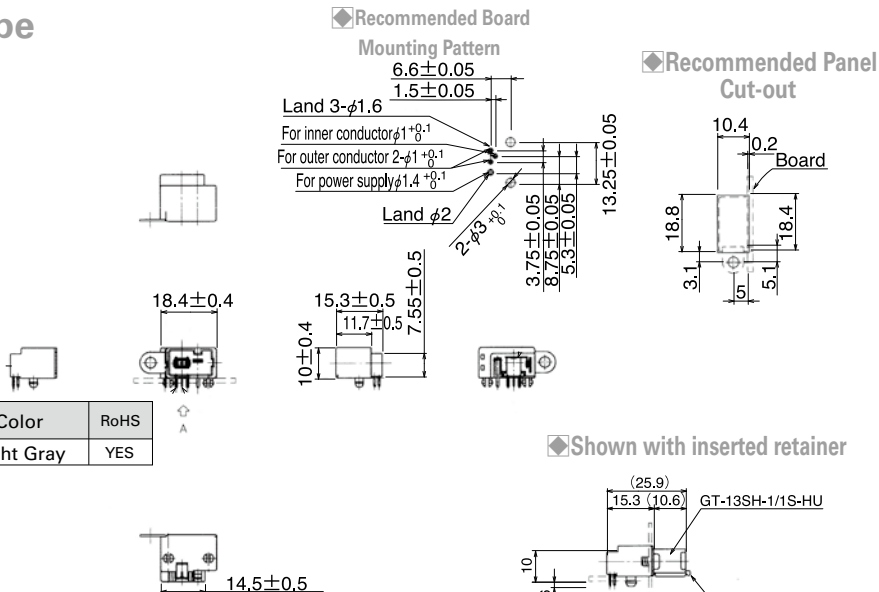
Part	Material	Color/Finish
Housing	PBT	—
Center terminal	Copper alloy	Tin plating
Outside tube terminal	Copper alloy	Tin plating
Metal bracket	Copper alloy	Tin plating

Printed Circuit Board Type (1 Coaxial + 1 Power contact)



Part Number	HRS No.	Material	Color	RoHS
GT13SH-1/1PP-DS	763-0050-9	PBT	Light Gray	YES

Part	Material	Color/Finish
Housing	PBT	—
Center terminal	Copper alloy	Tin plating
Outside tube terminal	Copper alloy	Tin plating
Power terminal	Copper alloy	Tin plating
Metal bracket	Copper alloy	Tin plating

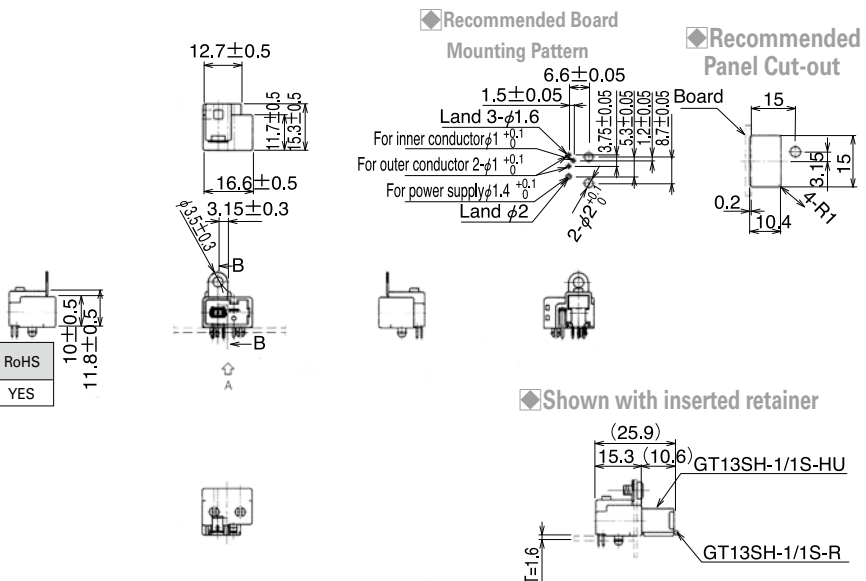


Printed Circuit Board Type (1 Coaxial + 1 Power contact)



Part Number	HRS No.	Material	Color	RoHS
GT13SHA-1/1PP-DS	763-0057-8	PBT	Light Gray	YES

Part	Material	Color/Finish
Housing	PBT	—
Center terminal	Copper alloy	Tin plating
Outside tube terminal	Copper alloy	Tin plating
Power terminal	Copper alloy	Tin plating
Metal bracket	Copper alloy	Tin plating

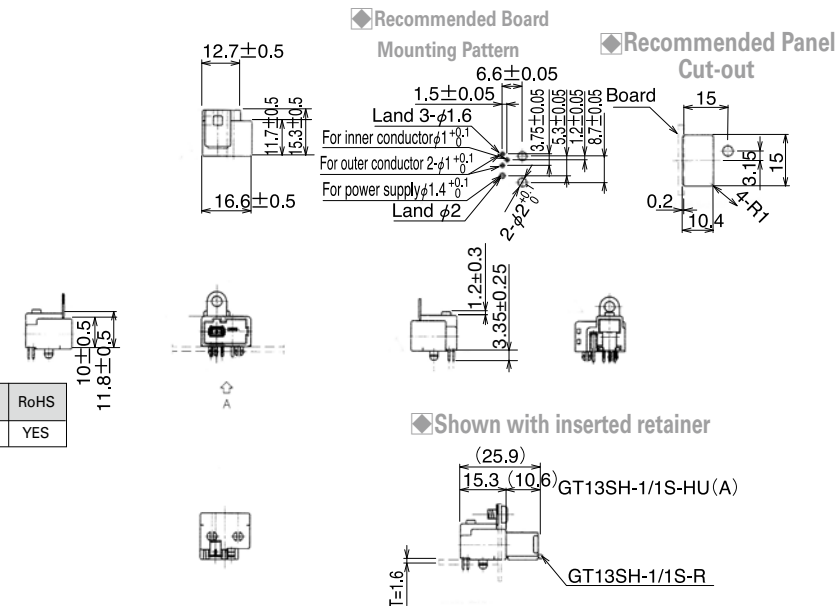


Printed Circuit Board Type (1 Coaxial + 1 Power contact)

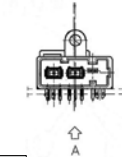
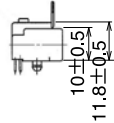
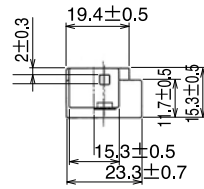


Part Number	HRS No.	Material	Color	RoHS
GT13SHA-1/1PP-DS(A)	763-0058-0	PBT	Brawn	YES

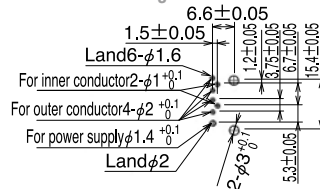
Part	Material	Color/Finish
Housing	PBT	—
Center terminal	Copper alloy	Tin plating
Outside tube terminal	Copper alloy	Tin plating
Power terminal	Copper alloy	Tin plating
Metal bracket	Copper alloy	Tin plating



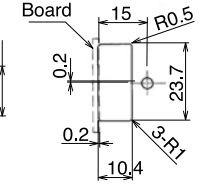
Printed Circuit Board Type (2 Coaxials + 1 Power contact)



Recommended Board Mounting Pattern



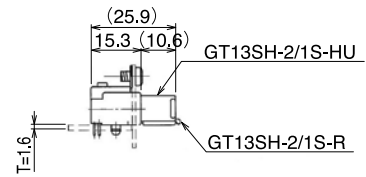
Recommended Panel Cut-out



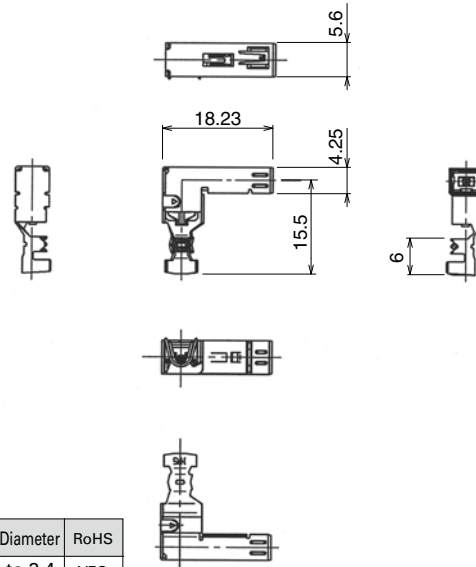
Part Number	HRS No.	Material	Color	RoHS
GT13SHA-2/1PP-DS	763-0063-0	PBT	Light Gray	YES

Part	Material	Color/Finish
Housing	PBT	—
Center terminal	Copper alloy	Tin plating
Outside tube terminal	Copper alloy	Tin plating
Power terminal	Copper alloy	Tin plating
Metal bracket	Copper alloy	Tin plating

Shown with inserted retainer

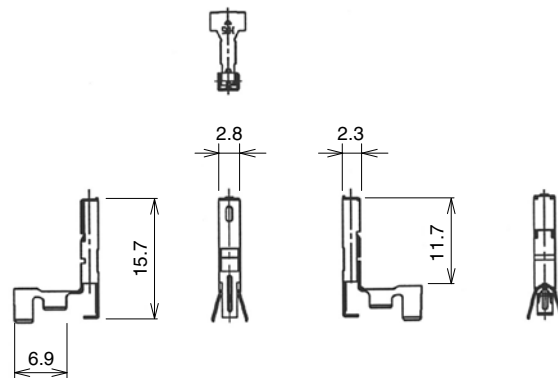
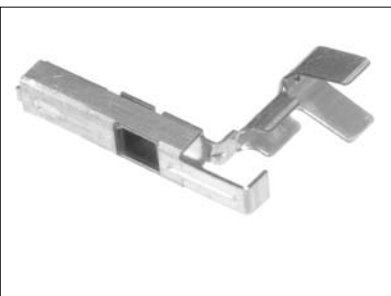


F Terminal



Part Number	HRS No.	Conductor Size (AWG)	Inner Insulation Diameter	Outer Diameter	RoHS
GT13R-1.6-2.9SC(70)	763-0073-4-70	AWG#20~22	φ 1.5 to 2	φ 2.6 to 3.4	YES

F Terminal



Part Number	HRS No.	Conductor Size (AWG)	Outer Diameter	RoHS
GT7RA-2022SC	757-0032-5	AWG#20~22	φ 2.6 to 3.1	YES

GT 5
GT 13
GT 16
PO5G
GT 11
GT 17
GT 19
GT 26
GT 27

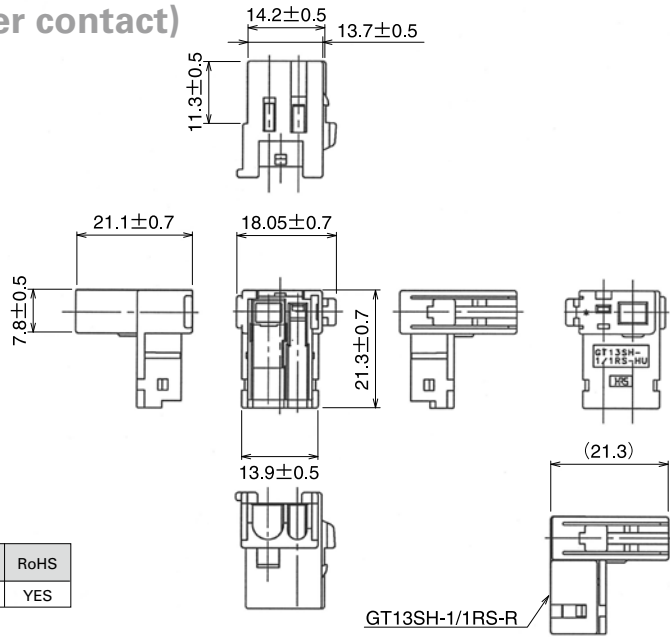
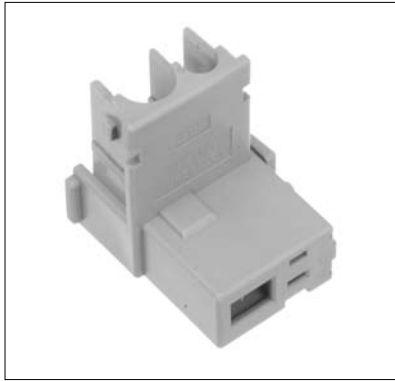
Coaxial cable connection of Antennas, Sensors, and Communication Trunk Lines
GT 3
GT 6W
GT 7
GT 10
GT 18W

GT 15
GT 8
GT 9
GT 25
GT 22

GT 5
GT 13
GT 16
GT 11
GT 17
GT 19
GT 26
GT 27
GT 3
GT 6W
GT 7
GT 10
GT 18W
GT 15
GT 8
GT 9
GT 25
GT 22

Coaxial cable connection of Antennas, Sensors, and Communication Trunk Lines

F Housing(1 Coaxial +1 Power contact)

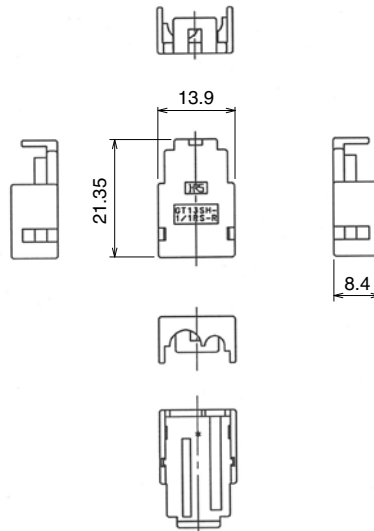


◆ Shown with inserted retainer

Part Number	HRS No.	Material	Color	RoHS
GT13SH-1/1RS-HU	763-0074-7	PBT	Light Gray	YES

Note1 : GT7RA-2022SC is used for power supply terminals.
Note2 : GT13R-1.6-2.9SC is used for signal.

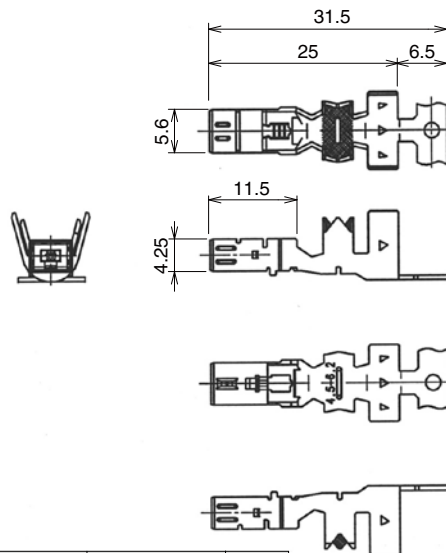
● Retainer (Used with GT13SH-1/1RS-HU)



Part Number	HRS No.	Material	Color	RoHS
GT13SH-1/1RS-R	763-0075-0	PBT	Dark Gray	YES

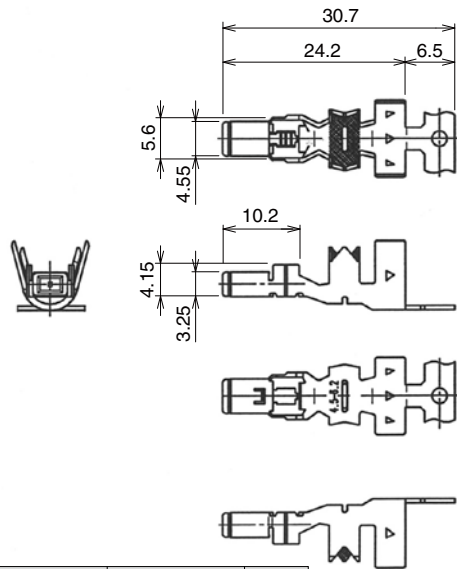
GT13GM Series

F Terminals



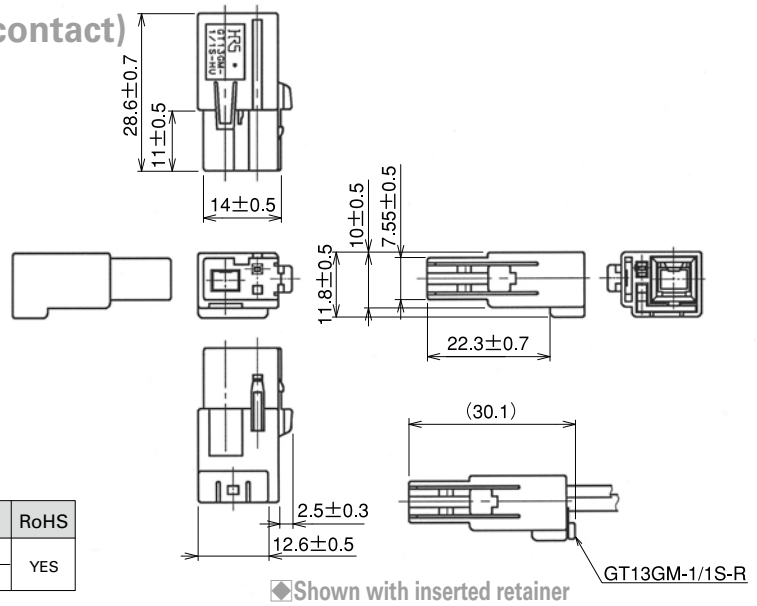
Part Number	HRS No.	Conductor Size (AWG)	Inner Insulation Diameter	Outer Diameter	Packaging	RoHS
GT13GM-2022/4.5-6.2SCF	763-0084-0	AWG#20~22	φ 4.2 to 4.8	φ 5.8 to 6.6	1400 pcs/reel	YES

M Terminals



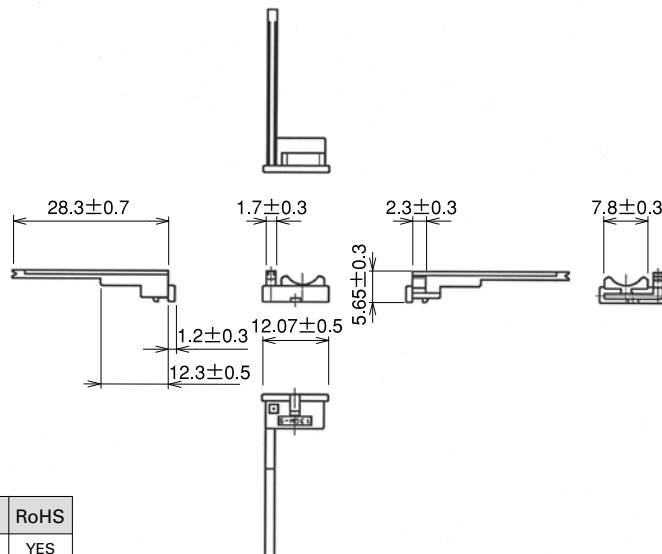
Part Number	HRS No.	Conductor Size (AWG)	Inner Insulation Diameter	Outer Diameter	Packaging	RoHS
GT13GM-2022/4.5-6.2PCF	763-0085-3	AWG#20~22	φ 4.2 to 4.8	φ 5.8 to 6.6	1400 pcs/reel	YES

F Housing(1 Coaxial +1 Power contact)



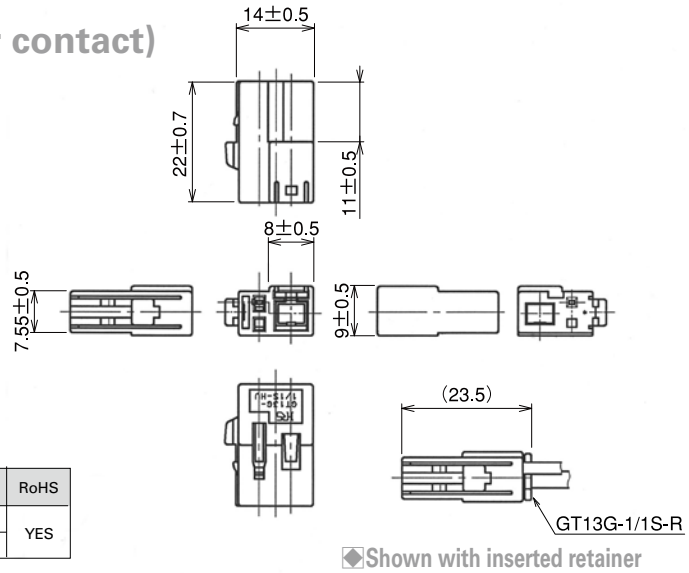
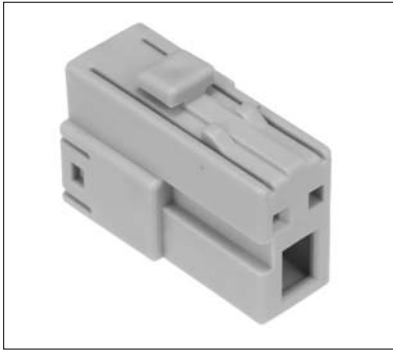
Part Number	HRS No.	Material	Color	RoHS
GT13GM-1/1S-HU	763-0088-6	PBT	Light Gray	YES
GT13GM-1/1S-HU(22)	763-0088-6-22	PBT	White	

Retainer (Only for GT13GM-1/1S-HU)



Part Number	HRS No.	Material	Color	RoHS
GT13GM-1/1S-R	763-0087-9	PBT	Dark Gray	YES

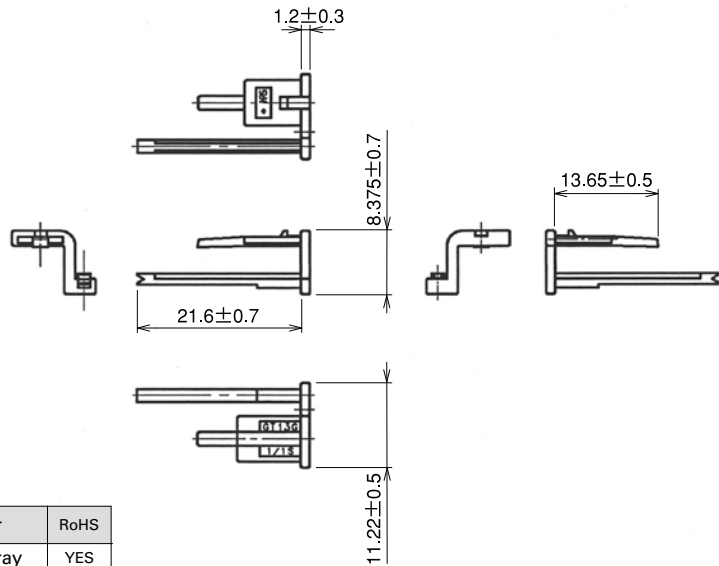
F Housing(1 Coaxial +1 Power contact)



Part Number	HRS No.	Material	Color	RoHS
GT13G-1/1S-HU	763-0090-3	PBT	Light Gray	YES
GT13G-1/1S-HU(22)	763-0090-3-22	PBT	White	YES

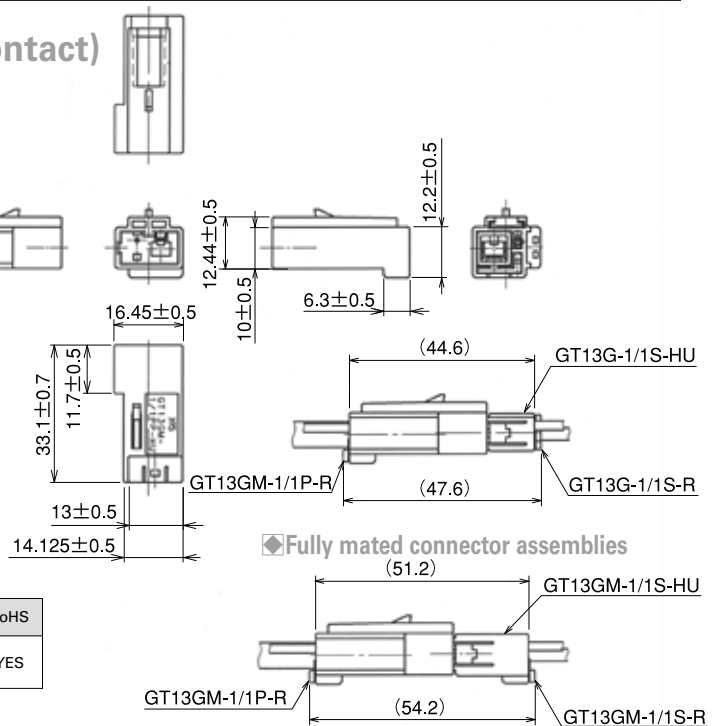
Note : Retor to page 30, 31 for F terminals.

● Retainer (Only for GT13G-1/1S-HU)



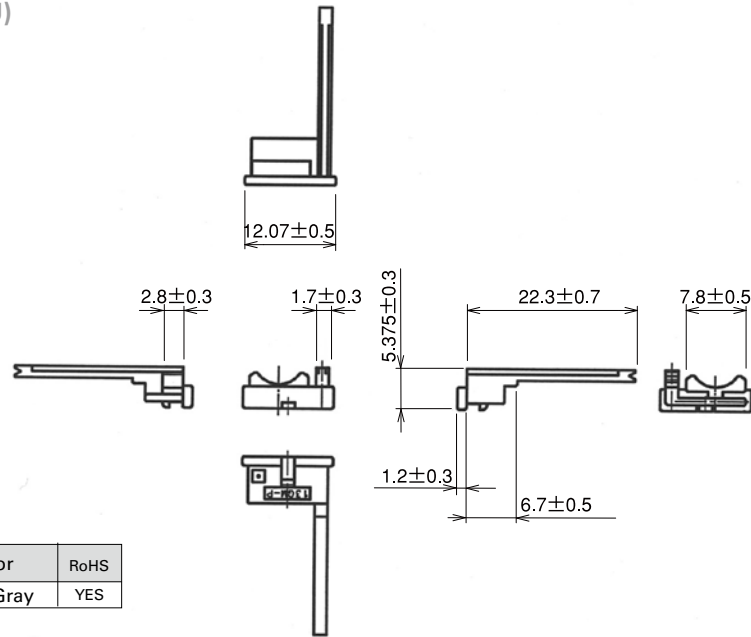
Part Number	HRS No.	Material	Color	RoHS
GT13G-1/1S-R	763-0091-6	PBT	Dark Gray	YES

M Housing(1 Coaxial +1 Power contact)



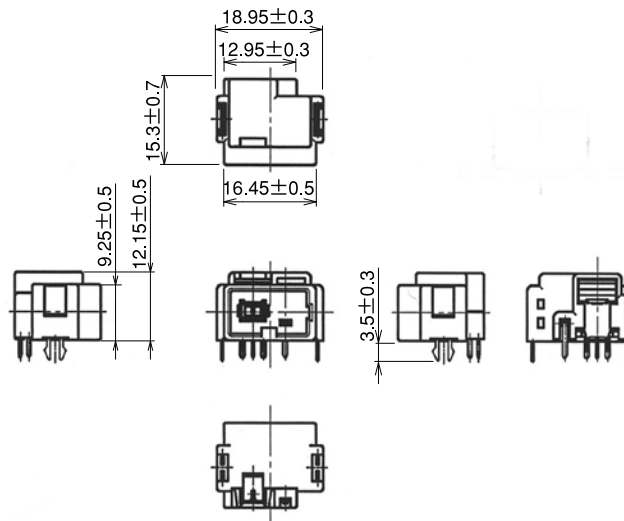
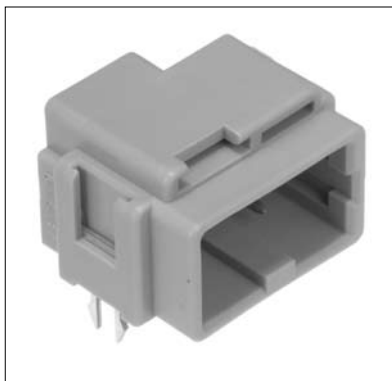
Part Number	HRS No.	Material	Color	RoHS
GT13GM-1/1PP-HU	763-0091-6	PBT	Dark Gray	YES
GT13GM-1/1PP-HU(22)	763-0091-6-22	PBT	White	YES

● Retainer (Only for GT13GM-1/1PP-HU)

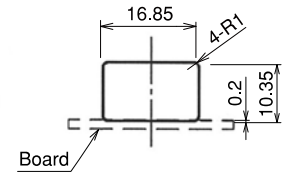


Part Number	HRS No.	Material	Color	RoHS
GT13GM-1/1P-R	763-0089-4	PBT	Dark Gray	YES

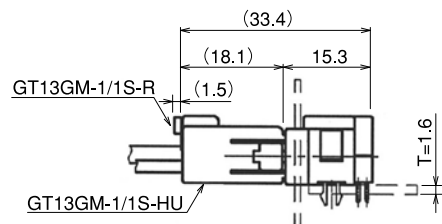
■ Printed Circuit Board Type (1 Coaxial + 1 Power contact)



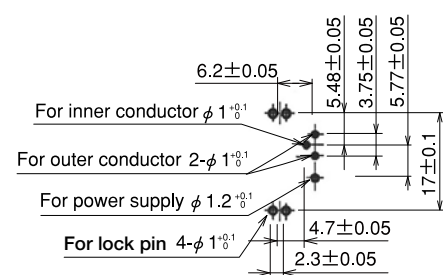
◆ Recommended Panel Cut-out



◆ Fully mated connector assemblies



◆ Recommended Board Mounting Pattern



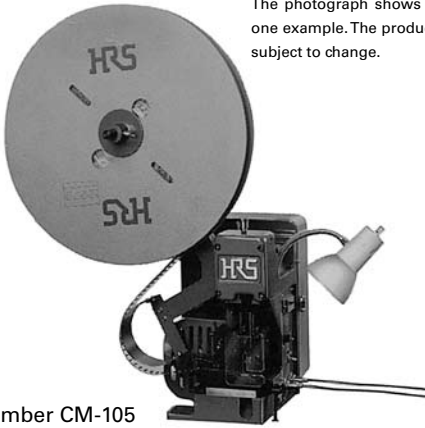
Part Number	HRS No.	Material	Color	Corresponding F connector	RoHS
GT13GM-1/1PP-DS(10)	763-0094-4-10	PBT	Light Gray	GT13G-1/1S-HU GT13GM-1/1S-HU	YES

Part	Material	Color/Finish
Housing	PBT	—
Center terminal	Copper alloy	Tin plating
Outside tube terminal	Copper alloy	Tin plating
Power terminal	Copper alloy	Tin plating
Metal bracket	Copper alloy	Tin plating

◆ Termination Tools

User's manuals are available. Please contact a Hirose Electric account representative.

Automatic Crimping Machine



The photograph shows just one example. The product is subject to change.

Part Number CM-105

* Crimp height setting tables are available for each cable type. Please contact your nearest Hirose Electric account representative.
Different cables will require different crimp height settings.

● **Special reel stand is required.**

● **Harness Tool**

Part Number	HRS No.
AP105-GT13-2428/1.6-2.9-S	901-5073-1
AP105-GT13-2428/1.6-2.9P	901-5074-7
AP105-GT13-30/1.6-2.9S-ID	901-5099-5
AP105-GT13-30/1.6-2.9P-ID	901-5118-8
AP105-GT13-30/1.6-2.9S	901-5116-2
AP105-GT13-30/1.6-2.9P	901-5119-0

Specifications

Item	Specification	Remarks
Specification	1.5tons	
Stroke Length	30mm	
Number of strokes	200spm (50Hz)	200spm (60Hz)
Weight	75kg	
Motor	0.2kW	AC 100V
Crimping speed	2000 to 4000pcs/h	

Данный компонент на территории Российской Федерации

Вы можете приобрести в компании MosChip.

Для оперативного оформления запроса Вам необходимо перейти по данной ссылке:

<http://moschip.ru/get-element>

Вы можете разместить у нас заказ для любого Вашего проекта, будь то серийное производство или разработка единичного прибора.

В нашем ассортименте представлены ведущие мировые производители активных и пассивных электронных компонентов.

Нашей специализацией является поставка электронной компонентной базы двойного назначения, продукции таких производителей как XILINX, Intel (ex.ALTERA), Vicor, Microchip, Texas Instruments, Analog Devices, Mini-Circuits, Amphenol, Glenair.

Сотрудничество с глобальными дистрибьюторами электронных компонентов, предоставляет возможность заказывать и получать с международных складов практически любой перечень компонентов в оптимальные для Вас сроки.

На всех этапах разработки и производства наши партнеры могут получить квалифицированную поддержку опытных инженеров.

Система менеджмента качества компании отвечает требованиям в соответствии с ГОСТ Р ИСО 9001, ГОСТ РВ 0015-002 и ЭС РД 009

Офис по работе с юридическими лицами:

105318, г.Москва, ул.Щербаковская д.3, офис 1107, 1118, ДЦ «Щербаковский»

Телефон: +7 495 668-12-70 (многоканальный)

Факс: +7 495 668-12-70 (доб.304)

E-mail: info@moschip.ru

Skype отдела продаж:

moschip.ru

moschip.ru_4

moschip.ru_6

moschip.ru_9