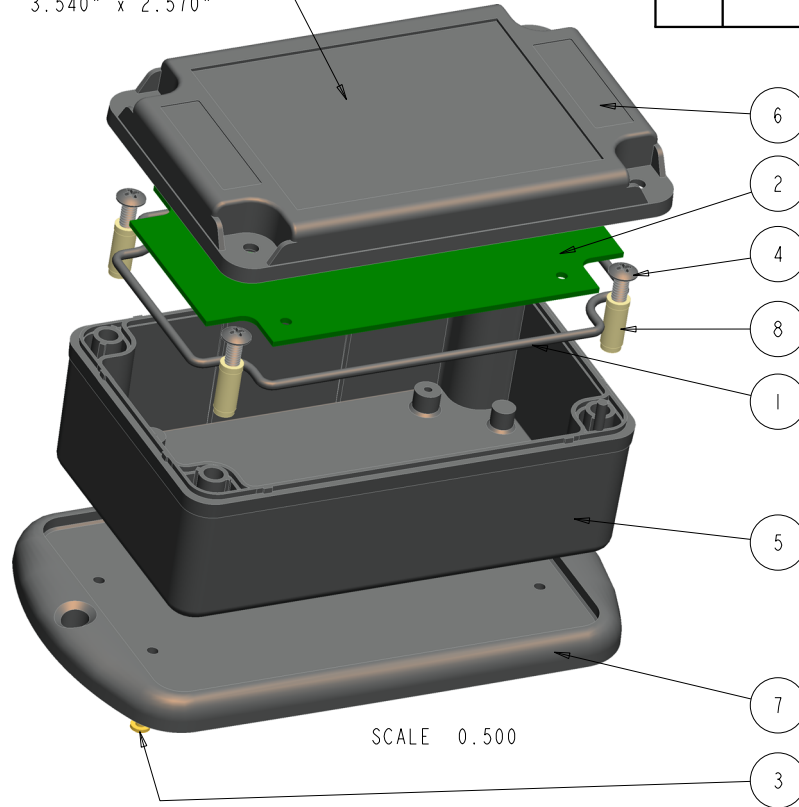


523322(x) CONFIGURATIONS			
	-Blank	-WP	-OR
S523322 COVER	I		
S523322 BASE	I		
S523322 WALL BASE		I	
S523322 O-RING			I
8-32 MACHINE SCREWS	4		
#4 HiLo SCREW .375"		4	

REVISION					
REV.	DRAWN BY	ECO No	DESCRIPTION	DATE	APPROVED
1	M BOYER		PRELIMINARY RELEASE	11-Dec-08	D.C.
2	M BOYER	0209	CHANGE PART NUMBER	27-Jan-09	D.C.
3	M BOYER	2409	ADD BEAUTY RING AROUND PERIMETER	28-Apr-09	D.C.
4	M BOYER	2609	INCREASE O-RING DIAMETER	18-May-09	D.C.
5	M BOYER	3609	ADD CONFIG AND OVERMOLD PEM INSERTS	02-Sep-09	D.C.
6	M BOYER	3709	ADD FLOW RIBS AROUND PEM INSERTS	23-Oct-09	D.C.
7	M BOYER	4409	UPDATE NOTES	18-Nov-09	D.C.

LABEL RECESS AREA
RECOMMENDED LABEL SIZE
3.540" x 2.570"

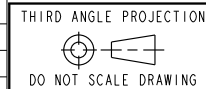


NOTES: UNLESS OTHERWISE SPECIFIED

- CORNERS DRAWN SHARP TO BE R.005 MAXIMUM.
- EXTERIOR SURFACE TEXTURE TO BE LIGHT EDM FINISH. EQUIVELANT TO MT-11020.
- INTERIOR SURFACE TEXTURE TO BE FINE MATTE FINISH.
- ALL INSIDE RADIUS .010R, ALL OUTSIDE RADIUS .020R MAX, UNLESS OTHERWISE SPECIFIED.
- ALL EXTERNAL DIMENSIONS AFFECTED BY THE DRAFT APPLY AT THE LARGE END OF THE FEATURE, AND ALL INTERNAL FEATURES AFFECTED BY THE DRAFT APPLY AT THE SMALL END OF THE FEATURE UNLESS OTHERWISE SPECIFIED.
- 1 DEGREE DRAFT IN THE DIRECTION OF PULL IS PERMISSIBLE UNLESS OTHERWISE SPECIFIED.
- MATERIAL / COLOR: ASA PLASTIC IS STANDARD, IN BLACK OR WHITE. CUSTOM MATERIALS AND COLORS ARE AVAILABLE UPON REQUEST.
- PCB SIZES ARE RECOMMENDATIONS ONLY. FINAL SIZES AND VERIFICATION OF IT'S FIT ARE THE SOLE RESPONSIBILITY OF EACH OWNER.
- STANDARD OR CUSTOM LABEL RECESSES ARE AVAILABLE.
- ASSEMBLY HARDWARE PROVIDED.
- OPERATING TEMPERATURE RANGE OF ENCLOSURE IS: -40°F to +180°F
- THIS ENCLOSURE IS CONSTRUCTED FOR INDOOR OR OUTDOOR USE TO PROVIDE A DEGREE OF PROTECTION TO THE EQUIPMENT INSIDE AGAINST THE INGRESS OF SOLID FOREIGN OBJECTS (FALLING DIRT); AND TO PROVIDE A DEGREE OF PROTECTION WITH RESPECT TO HARMFUL EFFECTS ON THE EQUIPMENT DUE TO THE INGRESS OF WATER (DRIPPING AND SPLASHING).

ITEM	FILE NAME	DESCRIPTION	MATERIAL	COLOR	QTY.
8	PEM-INSERT_8-32	PEM THREADED INSERT - BRASS	STKB-832-24	OVERMOLDED	4
7	523322_WALL	523322 WALL PLATE - STANDARD	ASA	BLACK	1
6	523322_COVER	523322 COVER - STANDARD	ASA	BLACK	1
5	523322_BASE	523322 BASE - STANDARD	ASA	BLACK	1
4	8-32_MACH_SCREW	8-32 MACHINE SCREW	8x32x.500	.50" LONG	4
3	NO_4_3-8_SCREW	#4 HiLo SCREW	#4 HiLo ZINK PLATED	.375" LONG	4
2	523322_PCB	REFERENCE ONLY - PCB	CUSTOMER SUPPLIED	.062" THICK	1
1	523322_ORING	523322 ORING	TPE G7930	30 SHORE - A SCALE	1

BILL OF MATERIALS



TOLERANCES: UNLESS OTHERWISE SPECIFIED
DIMENSIONS ARE IN U.S. INCHES.
X.XX = .010 X.XXXX = .001
X.XXX = .005 X.X" = 1"

NEW AGE ENCLOSURES

CUSTOMER Part No# XXX

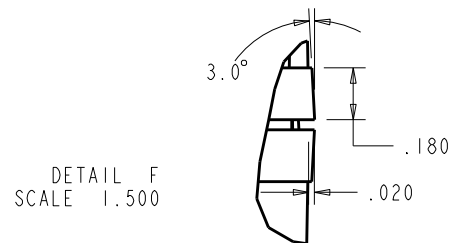
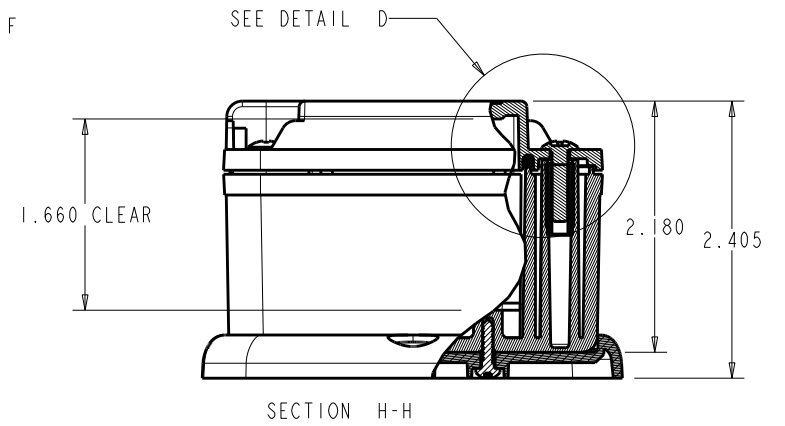
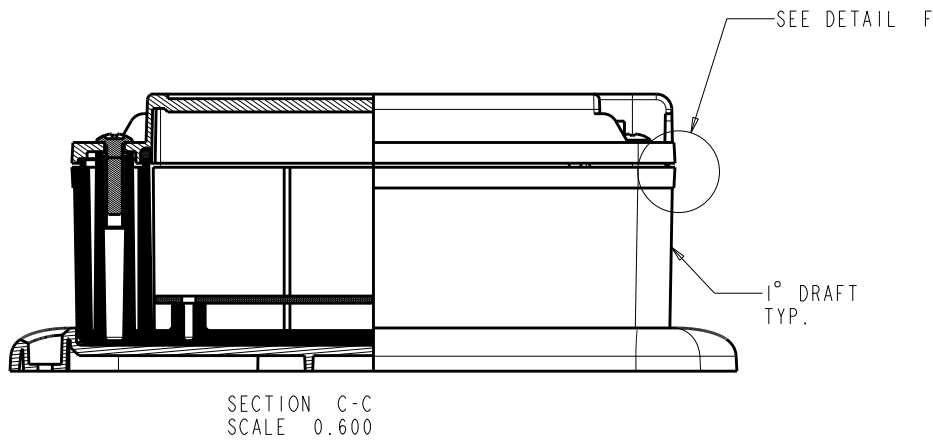
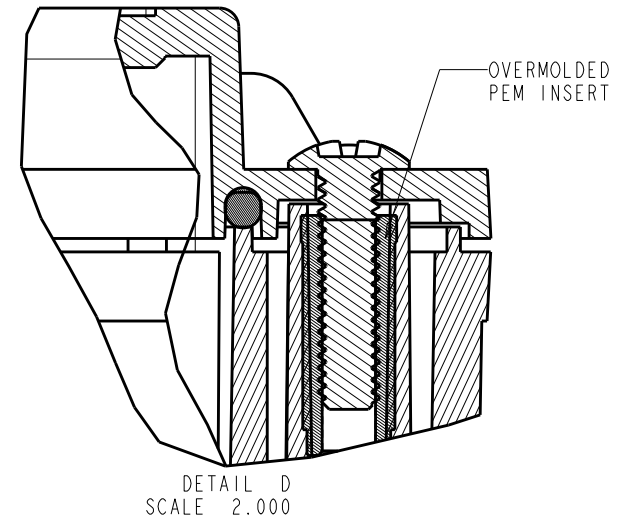
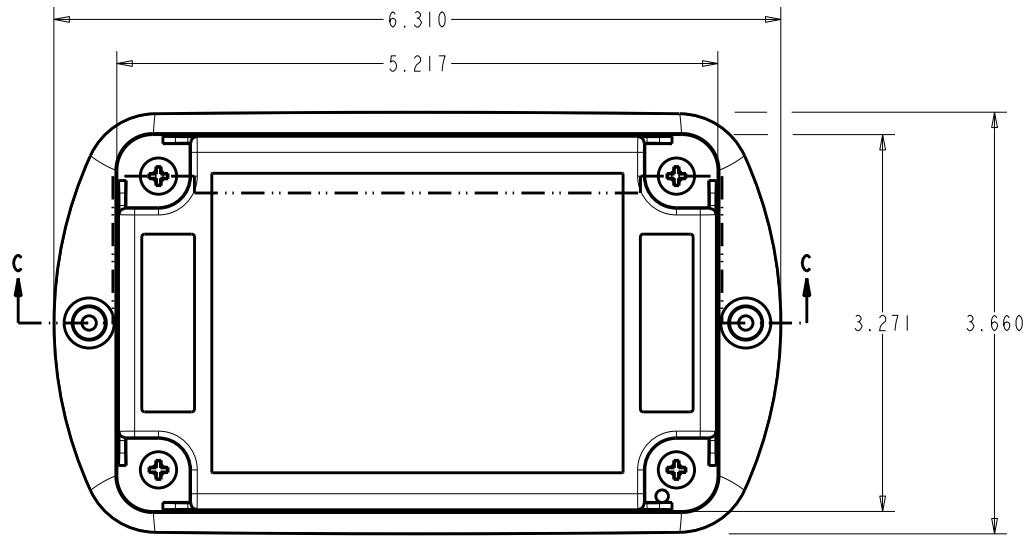
NEW AGE ENCLOSURES
a division of ALLTEC Inc.
4330 Santa Fe Road, Ste B San Luis Obispo, CA 93401
ph. (805) 595-1310 fax (805) 595-1024
www.newageenclosures.com

NOTICE: THE INFORMATION AND DATA CONTAINED HEREIN IS CONSIDERED PROPRIETARY TO ALLTEC INTEGRATED MFG INC & SHALL REMAIN THE EXCLUSIVE PROPERTY OF ALLTEC INTEGRATED MFG INC. THE HOLDER WILL ASSUME CUSTODY AND CONTROL THAT THIS DOCUMENT WILL NOT BE COPIED, REPRODUCED, OR DISCLOSED WITHOUT THE EXPRESS WRITTEN CONSENT OF ALLTEC INTEGRATED MFG INC. POSSESSION OF THIS DOCUMENT DOES NOT CONSTITUTE A GRANT TO MANUFACTURE ANY ITEMS.
© 2008

APPROVAL	BY	DATE
CHECK		
ENG.		
SCALE		
DRAWN BY	11-Dec-08	
M BOYER		

**STANDARD - OUTDOOR UTILITY
SXX-523322 ASSEMBLY**

SIZE	DRAWING NAME	SHEET	REV
A	523322_R7	1 OF 8	7



TOLERANCES: UNLESS OTHERWISE SPECIFIED
DIMENSIONS ARE IN U.S. INCHES.
X.XX = .010 X.XXXX = .001
X.XXX = .005 X.X° = 1°

NEW AGE ENCLOSURES

APPROVAL _____ BY _____ DATE _____
CHECK _____
ENG. _____
SCALE _____

DRAWN BY **M BOYER** 11-Dec-08

NEW AGE ENCLOSURES

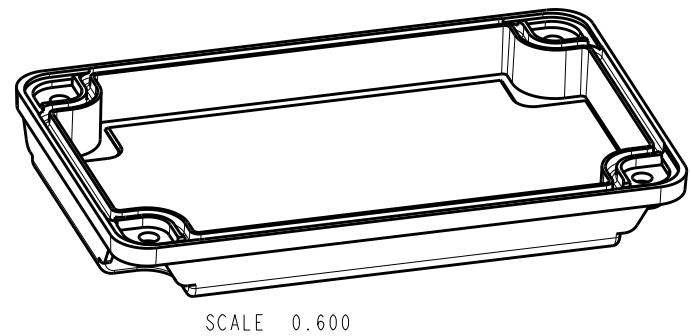
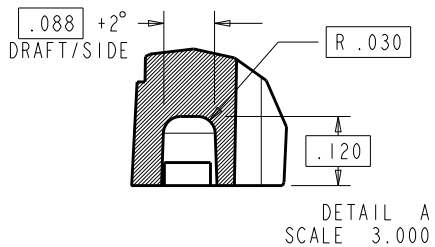
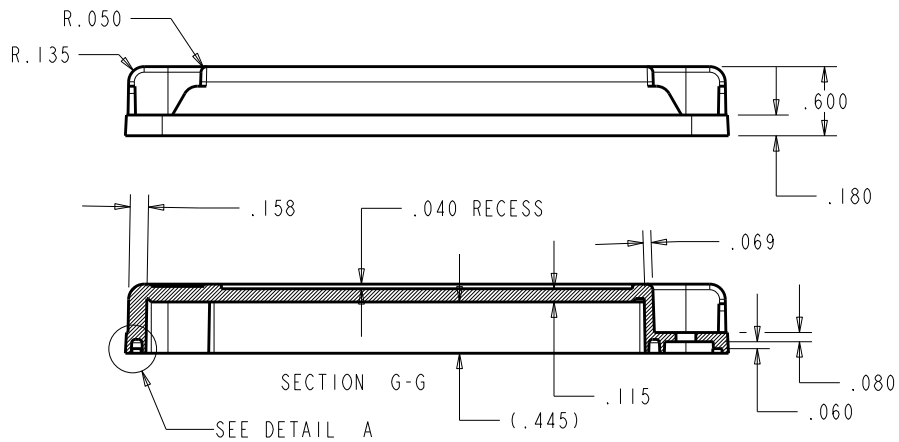
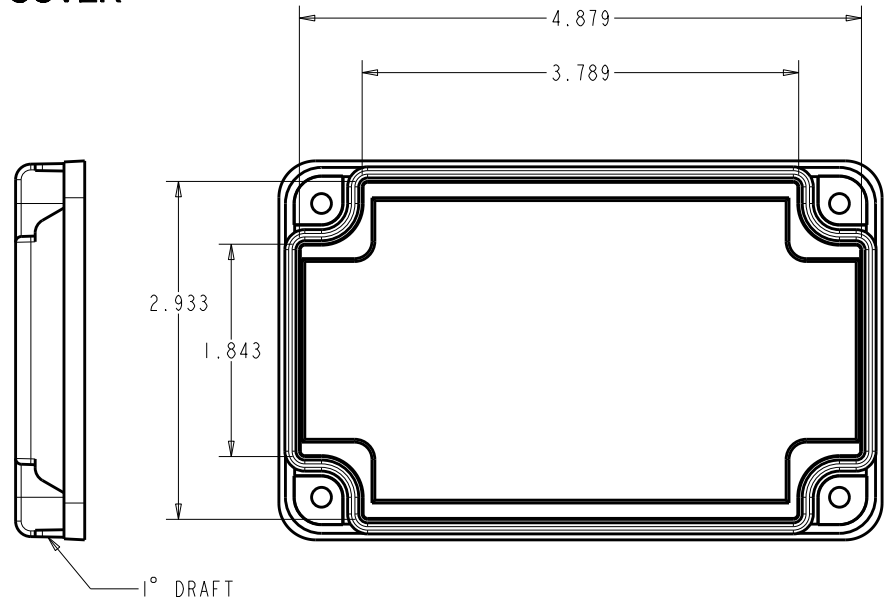
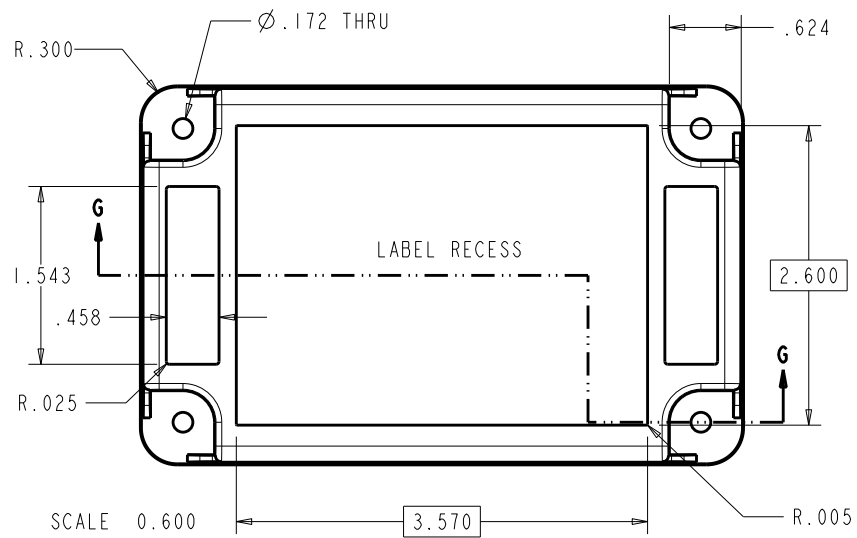
a division of **ALLTEC Inc.**
4330 Santa Fe Road, Ste B San Luis Obispo, CA. 93401
ph. (805) 585-1310 fax (805) 585-1024
www.newageenclosures.com

**STANDARD - OUTDOOR UTILITY
SXX-523322 ASSEMBLY**

SIZE **A** DRAWING NAME **523322_R7**

SHEET **2 OF 8** REV **7**

523322 COVER



TOLERANCES: UNLESS OTHERWISE SPECIFIED
DIMENSIONS ARE IN U.S. INCHES.
X.XX = .010 X.XXXX = .001
X.XXX = .005 X.X° = 1°

NEW AGE ENCLOSURES

APPROVAL	BY	DATE
CHECK		
ENG.		
SCALE		

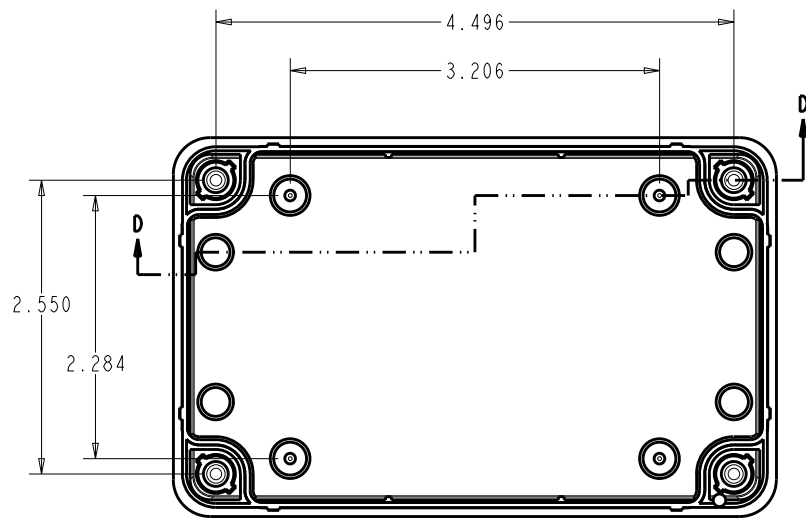
DRAWN BY: **M BOYER** 11-Dec-08

NEW AGE ENCLOSURES
a division of ALLTEC Inc.
4330 Santa Fe Road, Ste B San Luis Obispo, CA. 93401
ph. (805) 595-1310 fax (805) 595-1024
www.newageenclosures.com

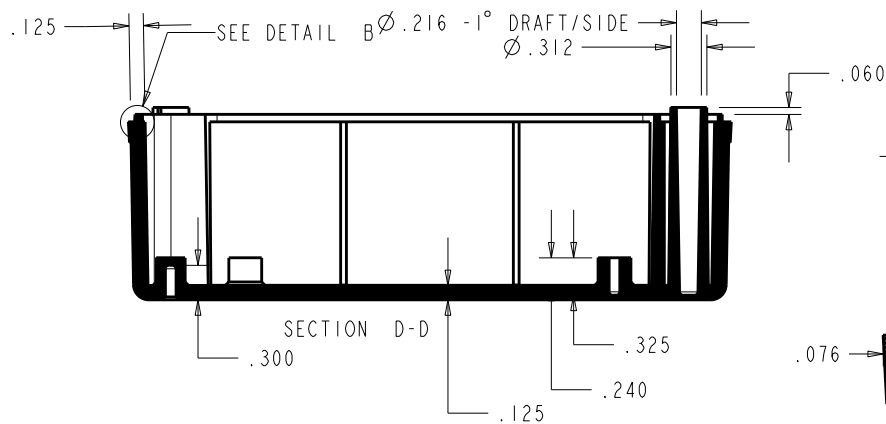
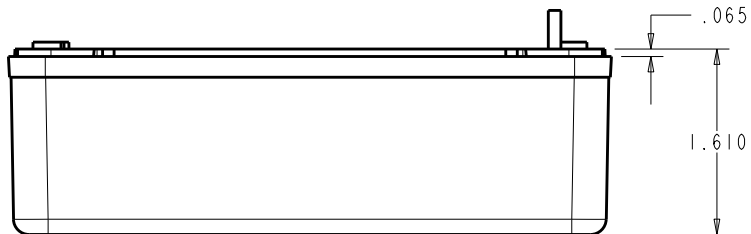
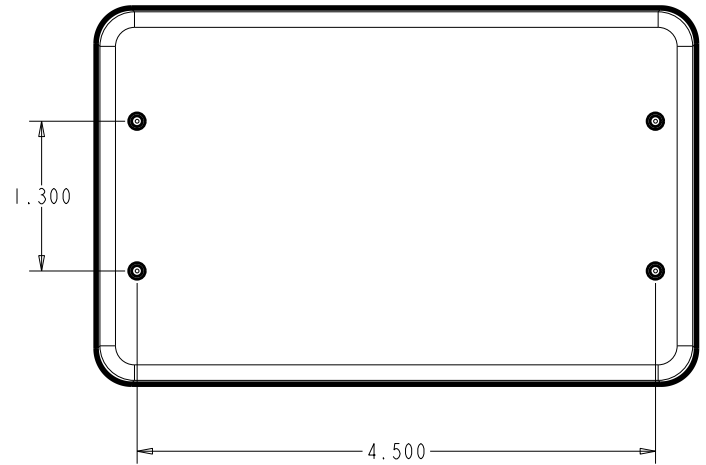
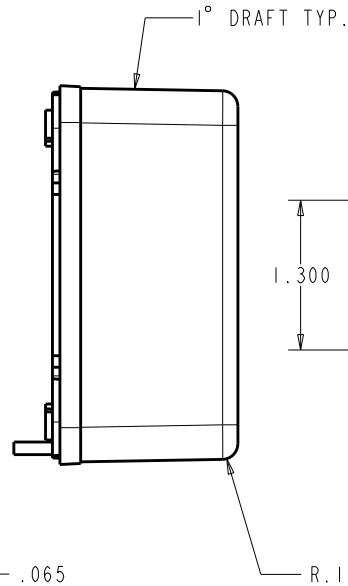
**STANDARD - OUTDOOR UTILITY
SXX-523322 ASSEMBLY**

SIZE: A	DRAWING NAME: 523322_R7	SHEET: 3 OF 8	REV: 7
----------------	--------------------------------	----------------------	---------------

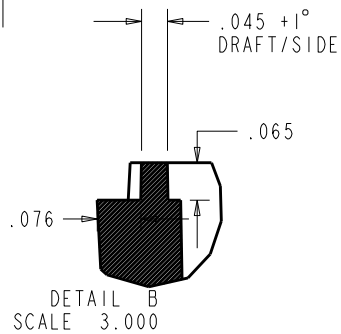
523322 BASE



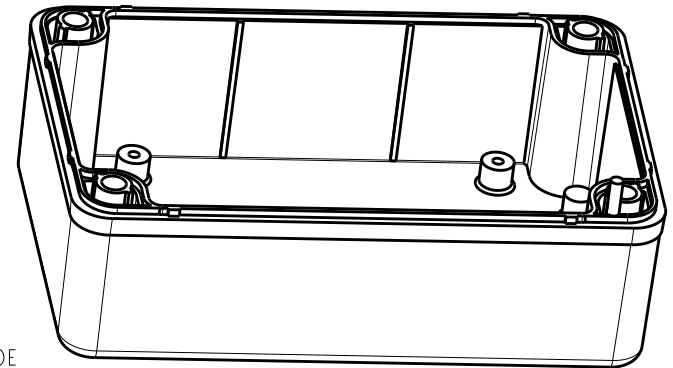
SCALE 0.600



SECTION D-D



DETAIL B
SCALE 3.000



SCALE 0.600

TOLERANCES: UNLESS OTHERWISE SPECIFIED
DIMENSIONS ARE IN U.S. INCHES.
X.XX = .010 X.XXXX = .001
X.XXX = .005 X.X° = 1°

NEW AGE ENCLOSURES

APPROVAL _____ BY _____ DATE _____
CHECK _____
ENG. _____
SCALE _____

DRAWN BY **M BOYER** 11-Dec-08

NEW AGE ENCLOSURES

a division of **ALLTEC Inc.**

4330 Santa Fe Road, Ste B San Luis Obispo, CA. 93401
ph. (805) 685-1310 fax (805) 685-1024

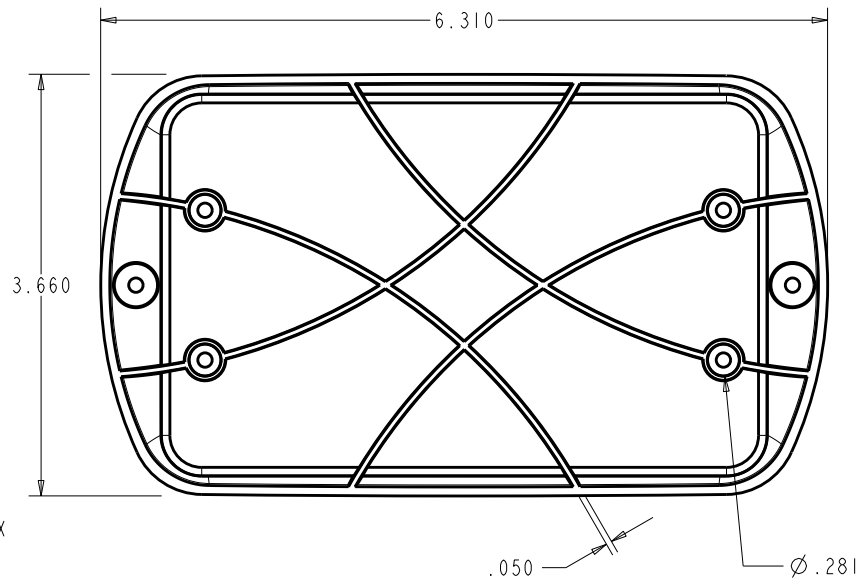
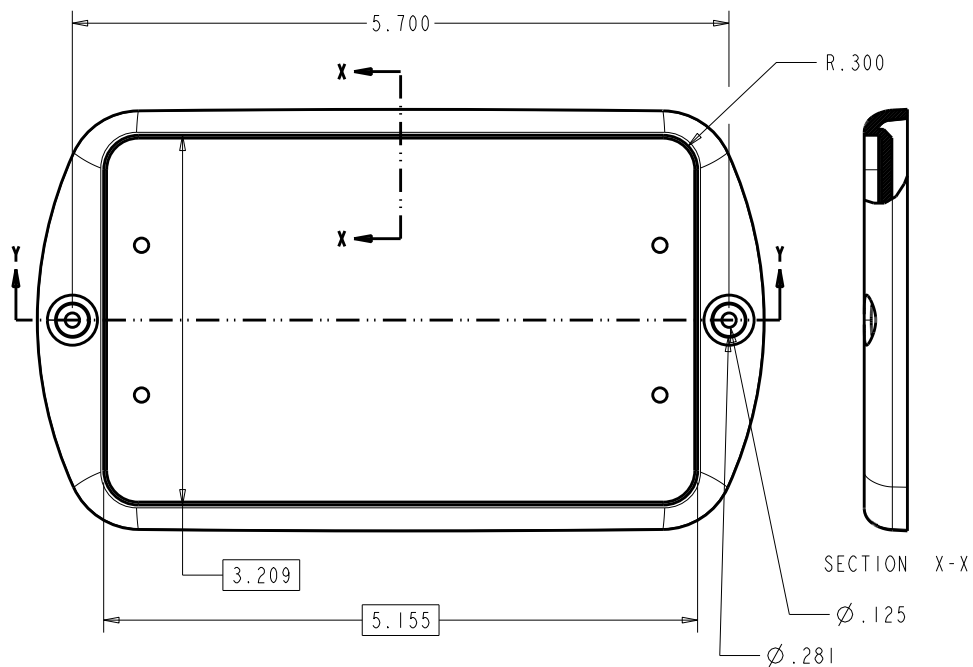
www.newageenclosures.com

**STANDARD - OUTDOOR UTILITY
SXX-523322 ASSEMBLY**

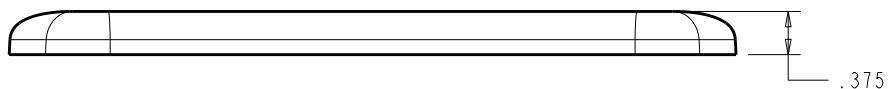
SIZE **A** DRAWING NAME
523322_R7

SHEET **4 OF 8** REV **7**

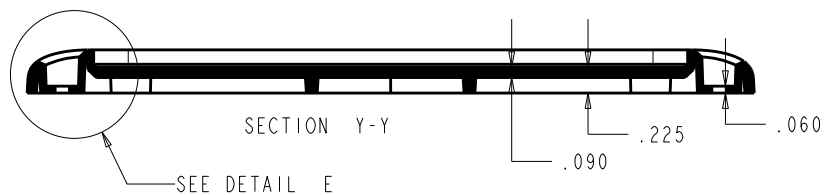
523322 WALL



SCALE 0.600



SCALE 0.600



DETAIL E
SCALE 1.332

TOLERANCES: UNLESS OTHERWISE SPECIFIED
DIMENSIONS ARE IN U.S. INCHES.
X.XX = .010 X.XXXX = .001
X.XXX = .005 X.X° = 1°

NEW AGE ENCLOSURES

APPROVAL _____ BY _____ DATE _____
CHECK _____
ENG. _____
SCALE _____

DRAWN BY **M BOYER** 11-Dec-08

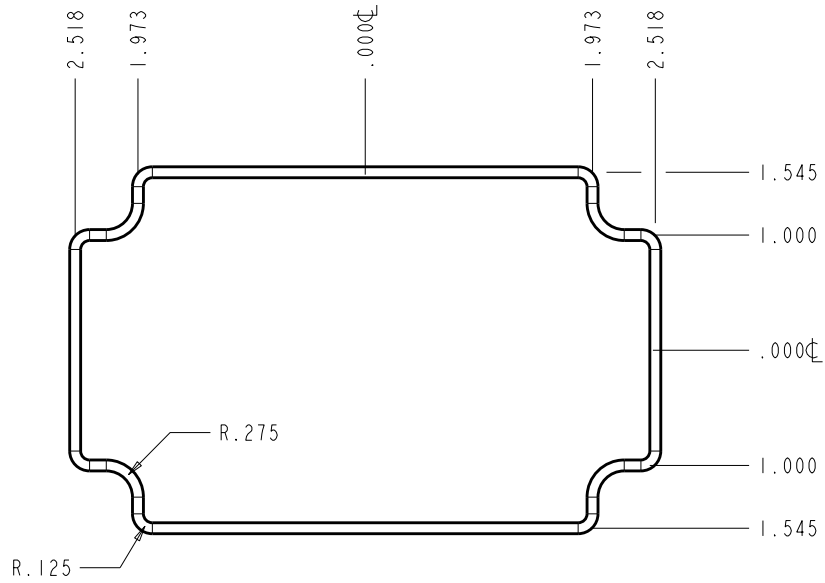
NEW AGE ENCLOSURES

a division of **ALLTEC Inc.**
4330 Santa Fe Road, Ste B San Luis Obispo, CA 93401
ph. (805) 685-1310 fax (805) 685-1024
www.newageenclosures.com

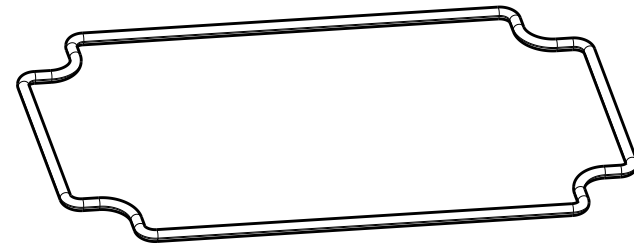
**STANDARD - OUTDOOR UTILITY
SXX-523322 ASSEMBLY**

SIZE **A** DRAWING NAME **523322_R7** SHEET **5 OF 8** REV **7**

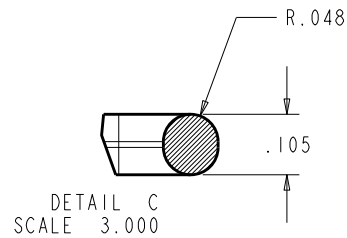
523322 O-RING



SCALE 0.600



SCALE 0.600



TOLERANCES: UNLESS OTHERWISE SPECIFIED
DIMENSIONS ARE IN U.S. INCHES.
X.XX = .010 X.XXXX = .001
X.XXX = .005 X.X° = 1°

NEW AGE ENCLOSURES

NEW AGE ENCLOSURES

a division of ALLTEC Inc.

4330 Santa Fe Road, Ste B San Luis Obispo, CA 93401
ph. (805) 585-1310 fax (805) 585-1024

www.newageenclosures.com

APPROVAL BY DATE
CHECK
ENG.
SCALE

STANDARD - OUTDOOR UTILITY
SXX-523322 ASSEMBLY

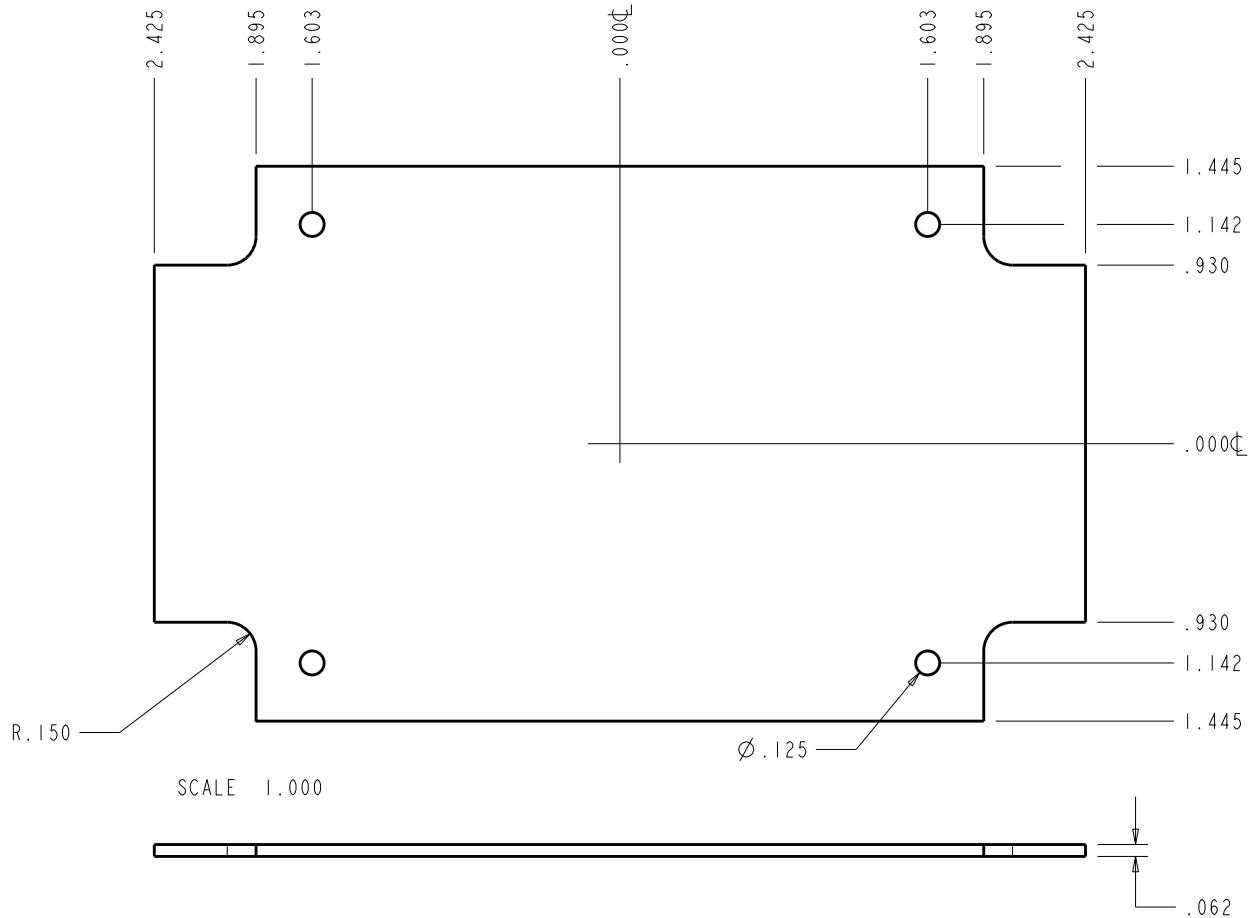
DRAWN BY M BOYER 11-Dec-08

SIZE A DRAWING NAME 523322_R7

SHEET 6 OF 8 REV 7

S523322 PCB - CUSTOMER SUPPLIED

PCB SIZES ARE RECOMMENDATIONS ONLY. FINAL SIZES AND VERIFICATION OF IT'S FIT ARE THE SOLE RESPONSIBILITY OF THE OEM.



TOLERANCES: UNLESS OTHERWISE SPECIFIED
DIMENSIONS ARE IN U.S. INCHES.
X.XX = .010 X.XXXX = .001
X.XXX = .005 X.X° = 1°

NEW AGE ENCLOSURES

APPROVAL	BY	DATE
CHECK		
ENG.		
SCALE		

DRAWN BY **M BOYER** 11-Dec-08

NEW AGE ENCLOSURES

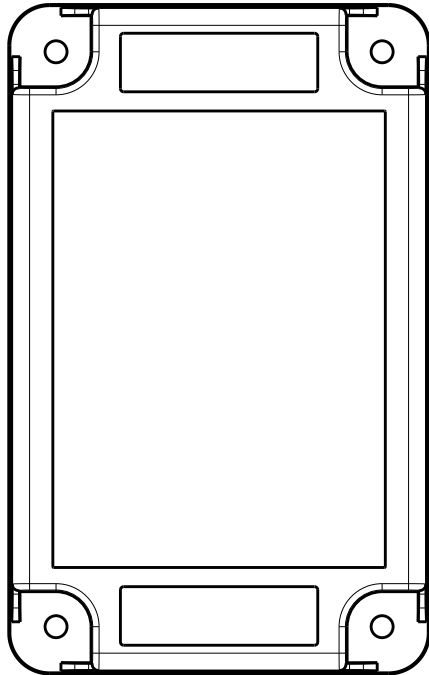
a division of **ALLTEC Inc.**
4330 Santa Fe Road, Ste B San Luis Obispo, CA. 93401
ph. (805) 595-1310 fax (805) 595-1024
www.newageenclosures.com

**STANDARD - OUTDOOR UTILITY
SXX-523322 ASSEMBLY**

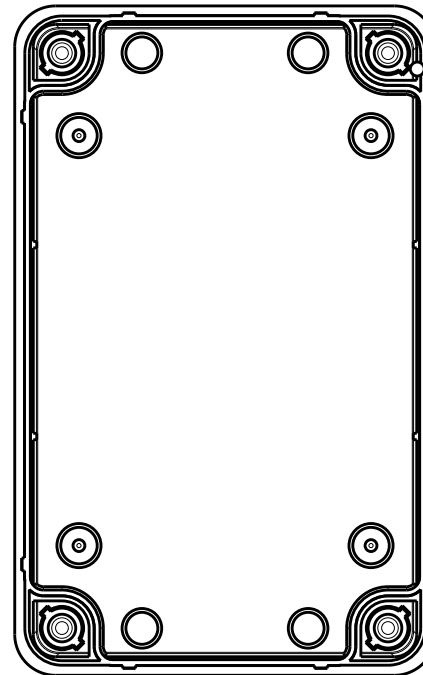
SIZE A	DRAWING NAME 523322_R7	SHEET 7 OF 8	REV 7
---------------	-------------------------------	---------------------	--------------

2nd OPERATION DETAILS

NEW AGE ENCLOSURES DELIVERS YOUR ENCLOSURE MARKET-READY WITH IN-HOUSE
CNC MACHINING, PAD PRINTING, ASSEMBLY, AND FULFILLMENT.
ALL SURFACES AND AREAS ARE AVAILABLE FOR CNC ALTERATION BY NEW AGE ENCLOSURES
CALL (805) 595-1310 FOR PRICING AND SCHEDULE.
THE INSIDE RADIUS OF ANY MACHINED FEATURES SHOULD BE NO SMALLER THAN .031"



523322 COVER
SCALE 0.666



523322 BASE
SCALE 0.666

SXX-523322-XXX COVER - ABS, BLACK

STEP NO	DESCRIPTION	CUTTER	FIXTURE	ORIENTATION	PROGRAM
1	-	T2 = .062" EM	-	-	-
2	-	T2 = .062" EM	-	-	-
3	-	T2 = .062" EM	-	-	-

TOLERANCES: UNLESS OTHERWISE SPECIFIED
DIMENSIONS ARE IN U.S. INCHES.
X.XX = .015 X.XXXX = .001
X.XXX = .010 X.X° = 1°

NEW AGE ENCLOSURES

APPROVAL	BY	DATE
CHECK		
ENG.		
SCALE		
DRAWN BY		
M BOYER 11-Dec-08		

NEW AGE ENCLOSURES

a division of ALLTEC Inc.
4330 Santa Fe Road, Ste B San Luis Obispo, CA. 93401
ph. (805) 595-1310 fax (805) 595-1024
www.newageenclosures.com

**STANDARD - OUTDOOR UTILITY
SXX-523322 ASSEMBLY**

SIZE	DRAWING NAME	SHEET	REV
A	523322_R7	8 OF 8	7

Mouser Electronics

Authorized Distributor

Click to View Pricing, Inventory, Delivery & Lifecycle Information:

New Age Enclosures:

[S1L-523322WP](#) [S3L-523322](#) [S3L-523322WP](#) [S-523322OR](#) [S1L-523322](#)

Данный компонент на территории Российской Федерации

Вы можете приобрести в компании MosChip.

Для оперативного оформления запроса Вам необходимо перейти по данной ссылке:

<http://moschip.ru/get-element>

Вы можете разместить у нас заказ для любого Вашего проекта, будь то серийное производство или разработка единичного прибора.

В нашем ассортименте представлены ведущие мировые производители активных и пассивных электронных компонентов.

Нашей специализацией является поставка электронной компонентной базы двойного назначения, продукции таких производителей как XILINX, Intel (ex.ALTERA), Vicor, Microchip, Texas Instruments, Analog Devices, Mini-Circuits, Amphenol, Glenair.

Сотрудничество с глобальными дистрибьюторами электронных компонентов, предоставляет возможность заказывать и получать с международных складов практически любой перечень компонентов в оптимальные для Вас сроки.

На всех этапах разработки и производства наши партнеры могут получить квалифицированную поддержку опытных инженеров.

Система менеджмента качества компании отвечает требованиям в соответствии с ГОСТ Р ИСО 9001, ГОСТ РВ 0015-002 и ЭС РД 009

Офис по работе с юридическими лицами:

105318, г.Москва, ул.Щербаковская д.3, офис 1107, 1118, ДЦ «Щербаковский»

Телефон: +7 495 668-12-70 (многоканальный)

Факс: +7 495 668-12-70 (доб.304)

E-mail: info@moschip.ru

Skype отдела продаж:

moschip.ru

moschip.ru_4

moschip.ru_6

moschip.ru_9