



Features

● Miniaturization and Low profile

0.50 terminal with 2.0mm(W)X2.5mm(H) pitch is realized miniaturization and low profile.

Developed in pursuit of miniaturization and low profile as surface mounting type connector for automotive.
0.50 terminal with 2.0mm pitch realized miniaturization.



Specifications

- Current rating: 2A AC, DC (0.3mm²)
- Voltage rating: 14V AC, DC
- Temperature range: -40°C to +125°C (gold-plated)
-40°C to +105°C (tin-plated)
(including temperature rise in applying electrical current)
- Contact resistance: Initial value/10mΩ max.
After environmental testing/30mΩ max.
- Insulation resistance: 100MΩ min.
- Withstanding voltage: 1,000V AC/minute
- Applicable wire: AESSX 0.3mm², UL3265 0.3mm²
(Equivalent to AWG #22, Insulation O.D. φ1.5mm max.)

- * Compliant with ELV/RoHS.
- * Contact JST for details.

Female terminal



| Model No. | Applicable wire range | | Q'ty/reel |
|--------------------|------------------------------|----------------------|-----------|
| | Conductor (mm ²) | Insulation O.D. (mm) | |
| ① SMEC-A021GF-M0.5 | 0.3 | 1.5 max. | 10,000 |
| ② SMEC-A021T-M0.5 | | | |

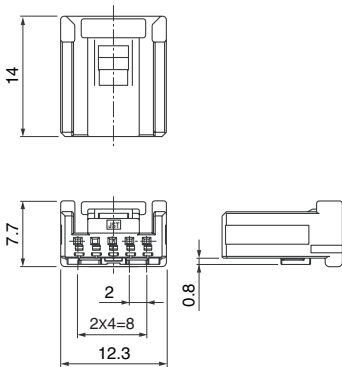
Material and Finish

- ① Copper alloy, nickel-undercoated, Contact area; gold-plated
Barrel area; tin-plated
- ② Copper alloy, nickel-undercoated, tin-plated

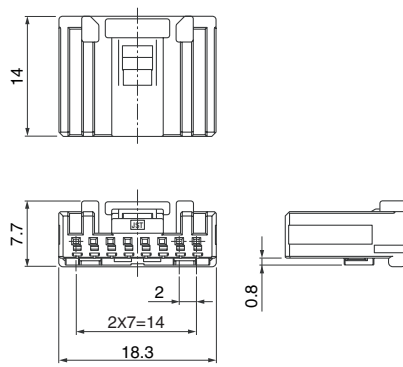
Female connector

Single row

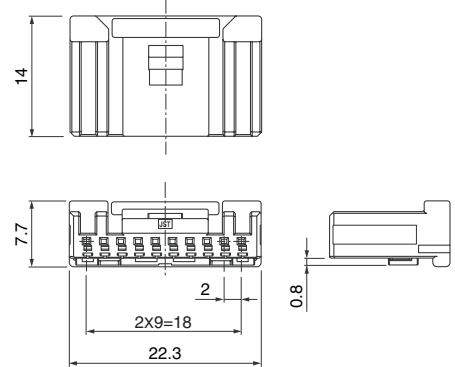
● 5 circuits



● 8 circuits

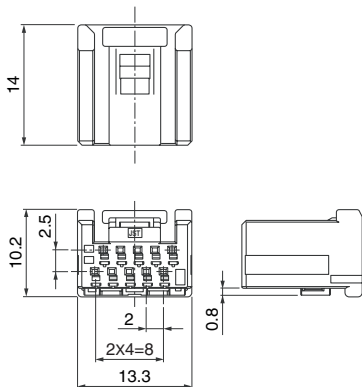


● 10 circuits

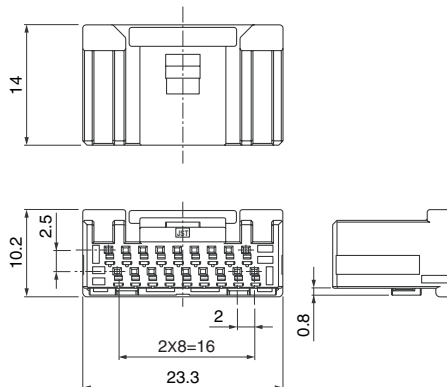


Double row

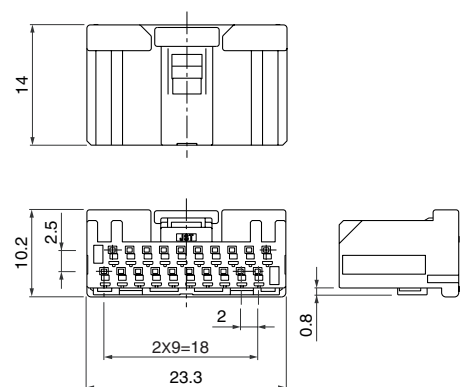
● 10 circuits



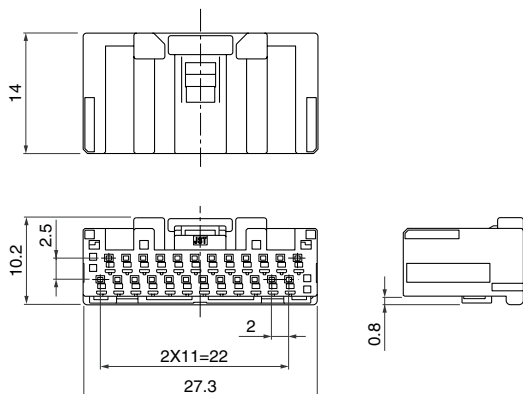
● 18 circuits



● 20 circuits



● 24 circuits



| Type | Circuits | Model No. | Q'ty/box |
|------------|----------|-----------------------|----------|
| Single row | 5 | ① 05MEC-B-1A | 400 |
| | 8 | ① 08MEC-B-1A | 300 |
| | 10 | ① 10MEC-B-1A | 200 |
| Double row | 10 | ① 10MEC-B-2A | 250 |
| | 18 | ① 18MEC-B-2A | 150 |
| | 20 | Note) ② 20MEC-B-2A() | 150 |
| | 24 | ① 24MEC-B-2A | 90 |

Material

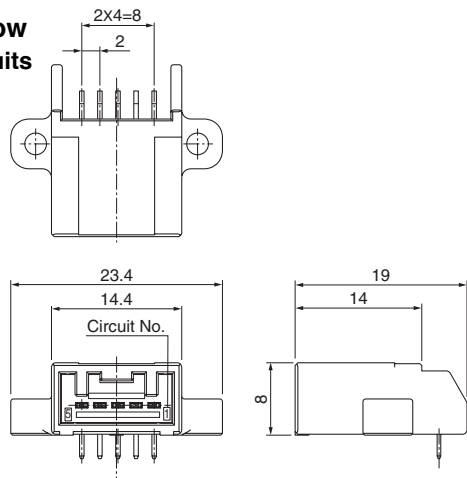
Housing: Glass-filled PBT, black
 Retainer: ① Glass-filled PBT, blue
 ② Glass-filled PBT, natural (white)

Note: Color/Key codes other than above-mentioned housing are also available.
 Contact JST for details.

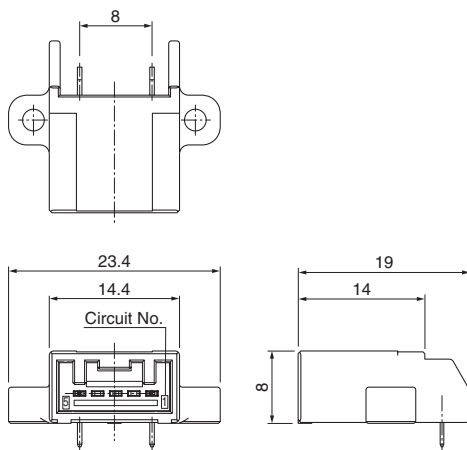
Male connector

DIP type

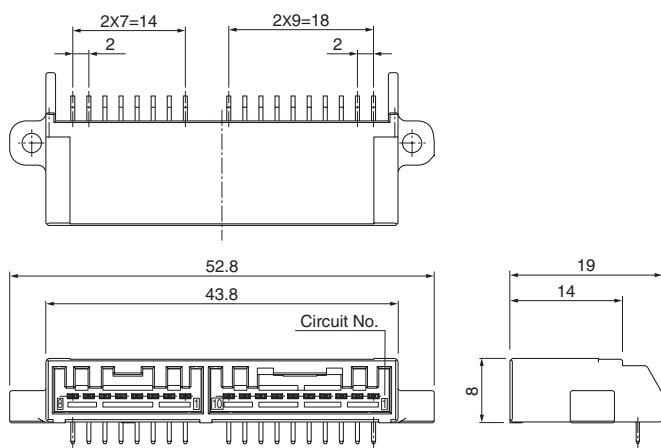
Single row • 5 circuits



• 5 circuits (plugged up)



• 18 (10+8) circuits



Double row • 10 circuits



• 10 circuits (plugged up)



• 18 circuits



| Type | Circuits | Model No. | Q'ty/box |
|------------|-----------|------------------------|----------|
| Single row | 5 | S05B-MECK-1GA-A | 700 |
| | Note) 5 | S05B-MECK-1GA-B | 700 |
| | 18 (10+8) | S18B-MECK-1GA-A | 350 |

Material and Finish

Male housing: Glass-filled PBT, black
 Male terminal: Copper alloy, nickel-undercoated,
 Contact area; gold-plated
 Barrel area; tin-plated (reflow treatment)

| Type | Circuits | Model No. | Q'ty/box |
|------------|----------|------------------------|----------|
| Double row | 10 | S10B-MECK-2GA-A | 504 |
| | Note) 10 | S10B-MECK-2GA-B | 504 |
| | 18 | S18B-MECK-2GA-A | 392 |

Material and Finish

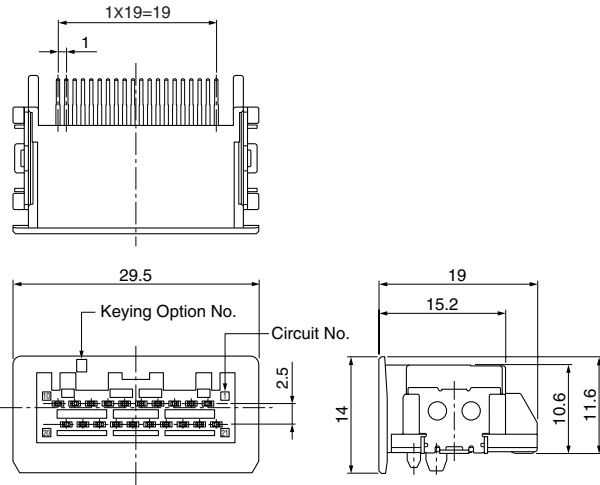
Male housing: Glass-filled PBT, black
 Male terminal: Copper alloy, nickel-undercoated,
 Contact area; gold-plated
 Barrel area; tin-plated (reflow treatment)

Male connector

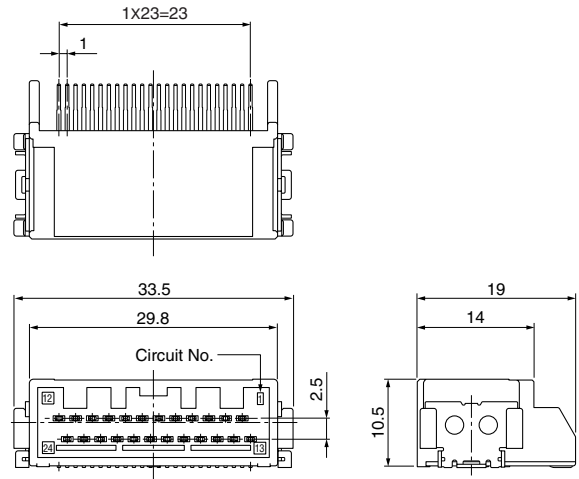
SMT type

Double row

• 20 circuits



• 24 circuits



| Type | Circuits | Model No. | Q'ty/box |
|------------|----------|------------------------------------|----------|
| Double row | 20 | Note) SM20B-MECK-2TC(-)A-TB | 200 |
| | 24 | SM24B-MECK-2TA-A-TB | 200 |

Material and Finish

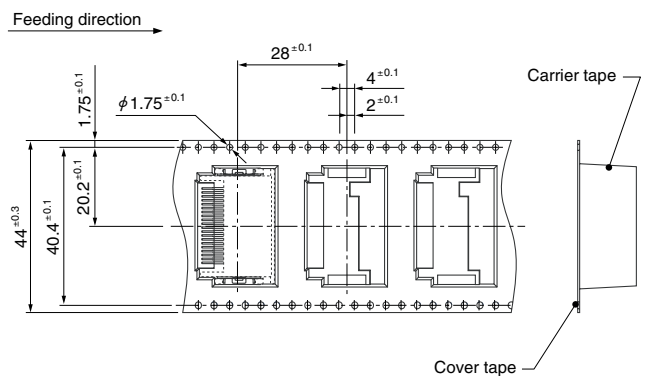
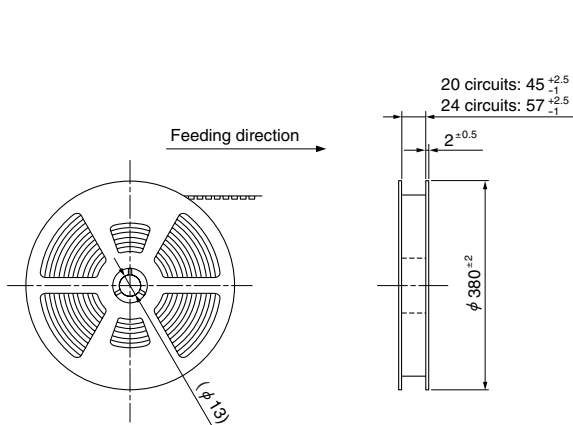
Housing: Glass-filled LCP, black

Terminal: Copper alloy, nickel-undercoated, tin-plated

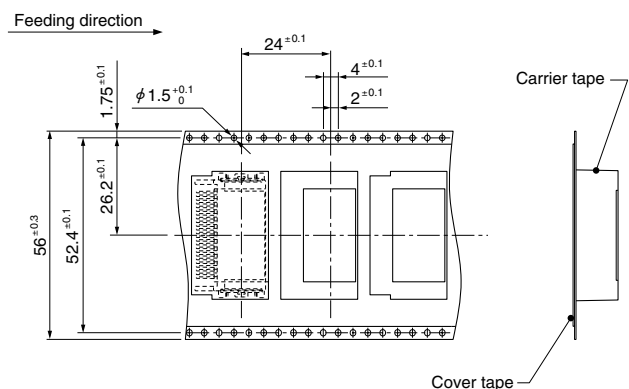
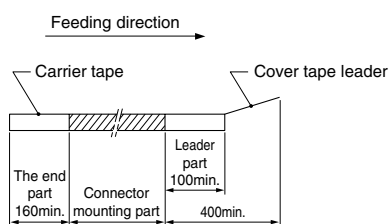
Note: Key codes other than above-mentioned housing are also available.
Contact JST for details.

Taping specifications

20 circuits



24 circuits

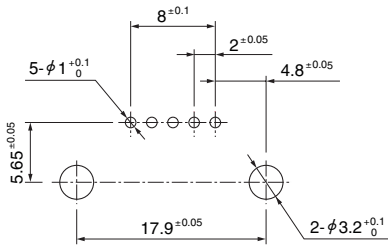


PC board layout, Assembly layout

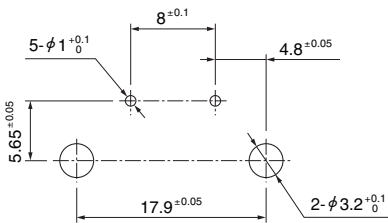
DIP type

Single row

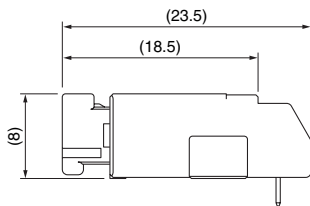
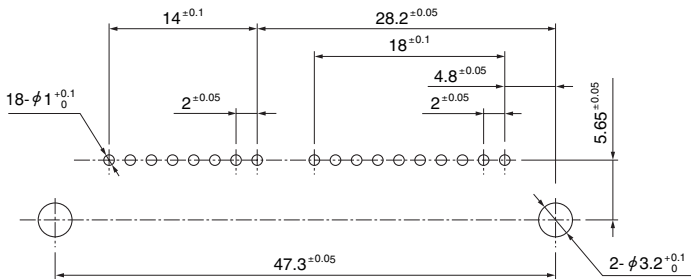
- 5 circuits



- 5 circuits (plugged up)

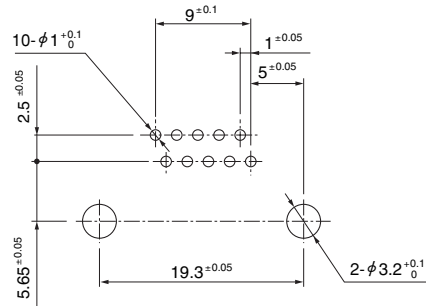


- 18 (10+8) circuits

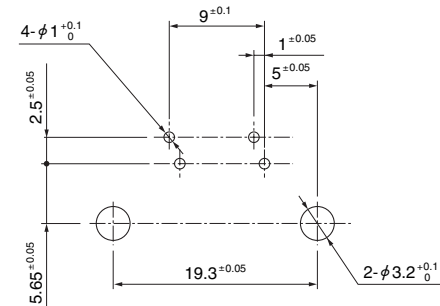


Double row

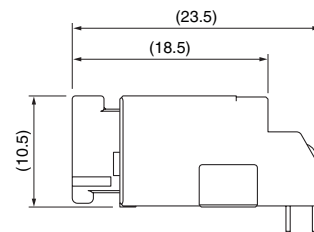
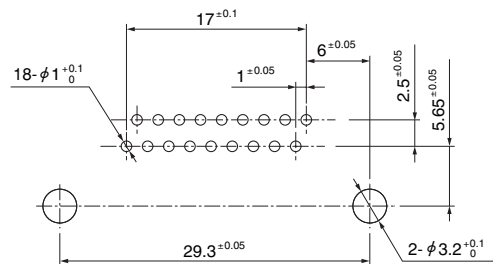
- 10 circuits



- 10 circuits (plugged up)



- 18 circuits



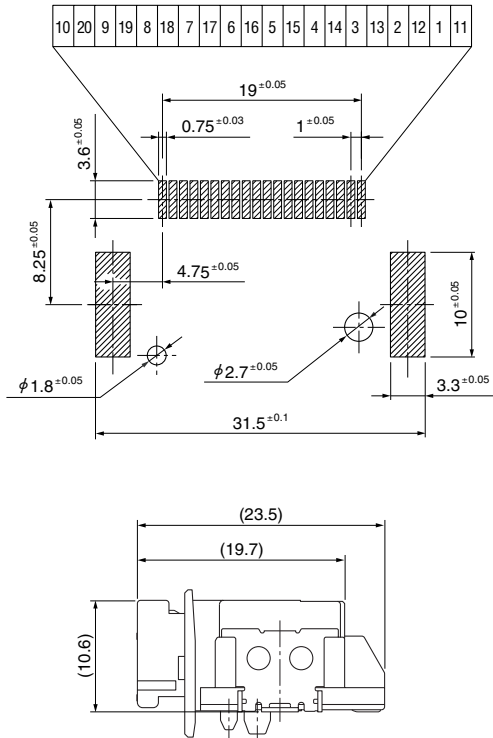
Note: 1. Tolerances are non-cumulative: $\pm 0.05\text{mm}$ for all centers.
 2. Hole dimensions differ according to the type of PC board and piercing method.
 The dimensions above should serve as guideline. Contact JST for details.

PC board layout, Assembly layout

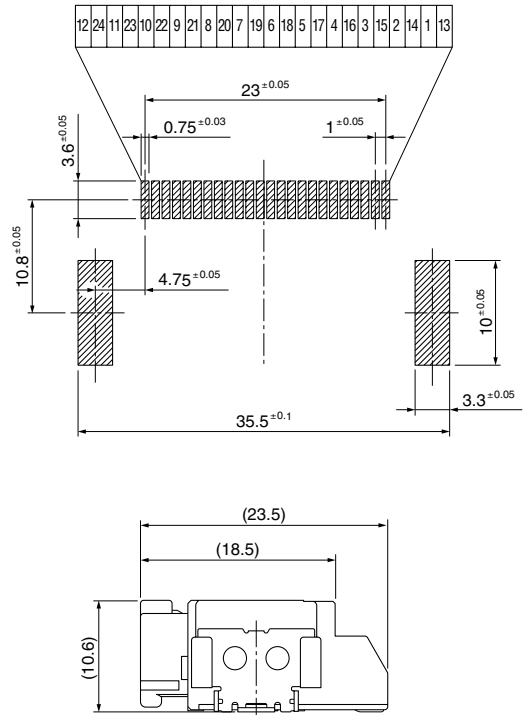
SMT type

Double row

● 20 circuits



● 24 circuits



Crimping machine, Applicator

| Strip terminal | Crimping machine | Crimp applicator MKS-L | |
|------------------|------------------|------------------------|----------------------------|
| | | Dies | Crimp applicator with dies |
| SMEC-A021GF-M0.5 | AP-K2N | MK/SMEC-A021-05 | APLMK SMEC-A021-05 |
| SMEC-A021T-M0.5 | | | |

Note: When crimping operation is conducted using an applicator and die set other than the above, JST cannot guarantee the performance of the terminal.

Mouser Electronics

Authorized Distributor

Click to View Pricing, Inventory, Delivery & Lifecycle Information:

JST:

[S05B-MECK-1GA-B](#) [S10B-MECK-2GA-A](#) [S18B-MECK-2GA-A](#) [10MEC-B-1A](#) [10MEC-B-2A](#) [S05B-MECK-1GA-A](#)
[SMEC-A021GF-M0.5](#) [05MEC-B-1A](#) [08MEC-B-1A](#) [S10B-MECK-2GA-B](#)

Данный компонент на территории Российской Федерации

Вы можете приобрести в компании MosChip.

Для оперативного оформления запроса Вам необходимо перейти по данной ссылке:

<http://moschip.ru/get-element>

Вы можете разместить у нас заказ для любого Вашего проекта, будь то серийное производство или разработка единичного прибора.

В нашем ассортименте представлены ведущие мировые производители активных и пассивных электронных компонентов.

Нашей специализацией является поставка электронной компонентной базы двойного назначения, продукции таких производителей как XILINX, Intel (ex.ALTERA), Vicor, Microchip, Texas Instruments, Analog Devices, Mini-Circuits, Amphenol, Glenair.

Сотрудничество с глобальными дистрибьюторами электронных компонентов, предоставляет возможность заказывать и получать с международных складов практически любой перечень компонентов в оптимальные для Вас сроки.

На всех этапах разработки и производства наши партнеры могут получить квалифицированную поддержку опытных инженеров.

Система менеджмента качества компании отвечает требованиям в соответствии с ГОСТ Р ИСО 9001, ГОСТ РВ 0015-002 и ЭС РД 009

Офис по работе с юридическими лицами:

105318, г.Москва, ул.Щербаковская д.3, офис 1107, 1118, ДЦ «Щербаковский»

Телефон: +7 495 668-12-70 (многоканальный)

Факс: +7 495 668-12-70 (доб.304)

E-mail: info@moschip.ru

Skype отдела продаж:

moschip.ru

moschip.ru_4

moschip.ru_6

moschip.ru_9