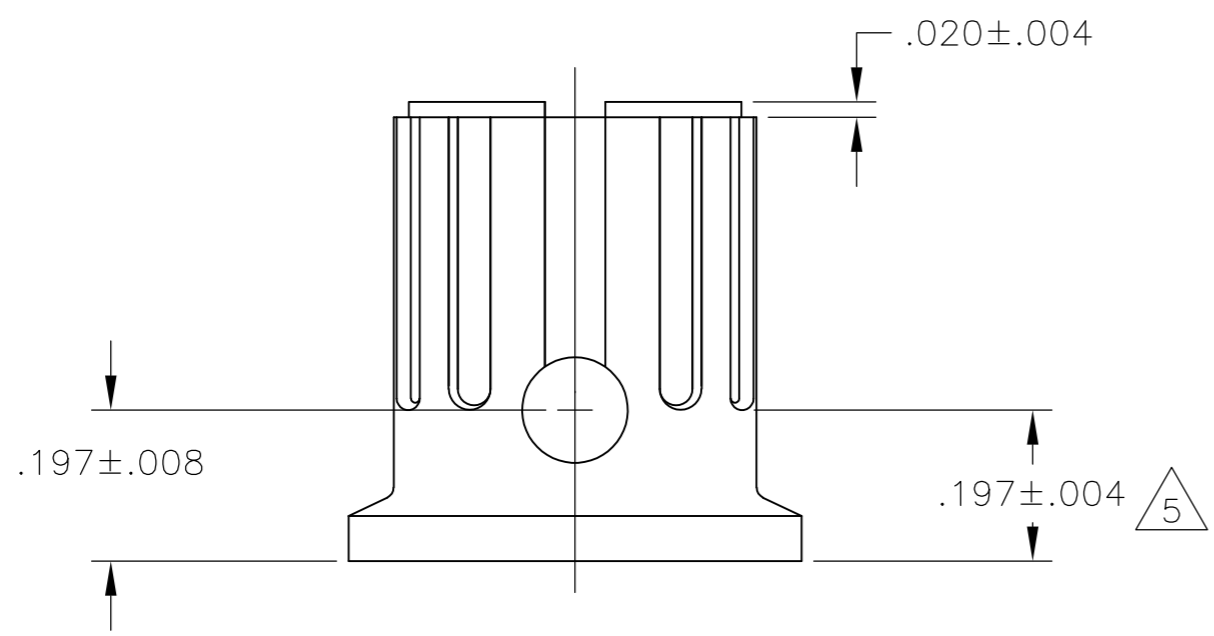
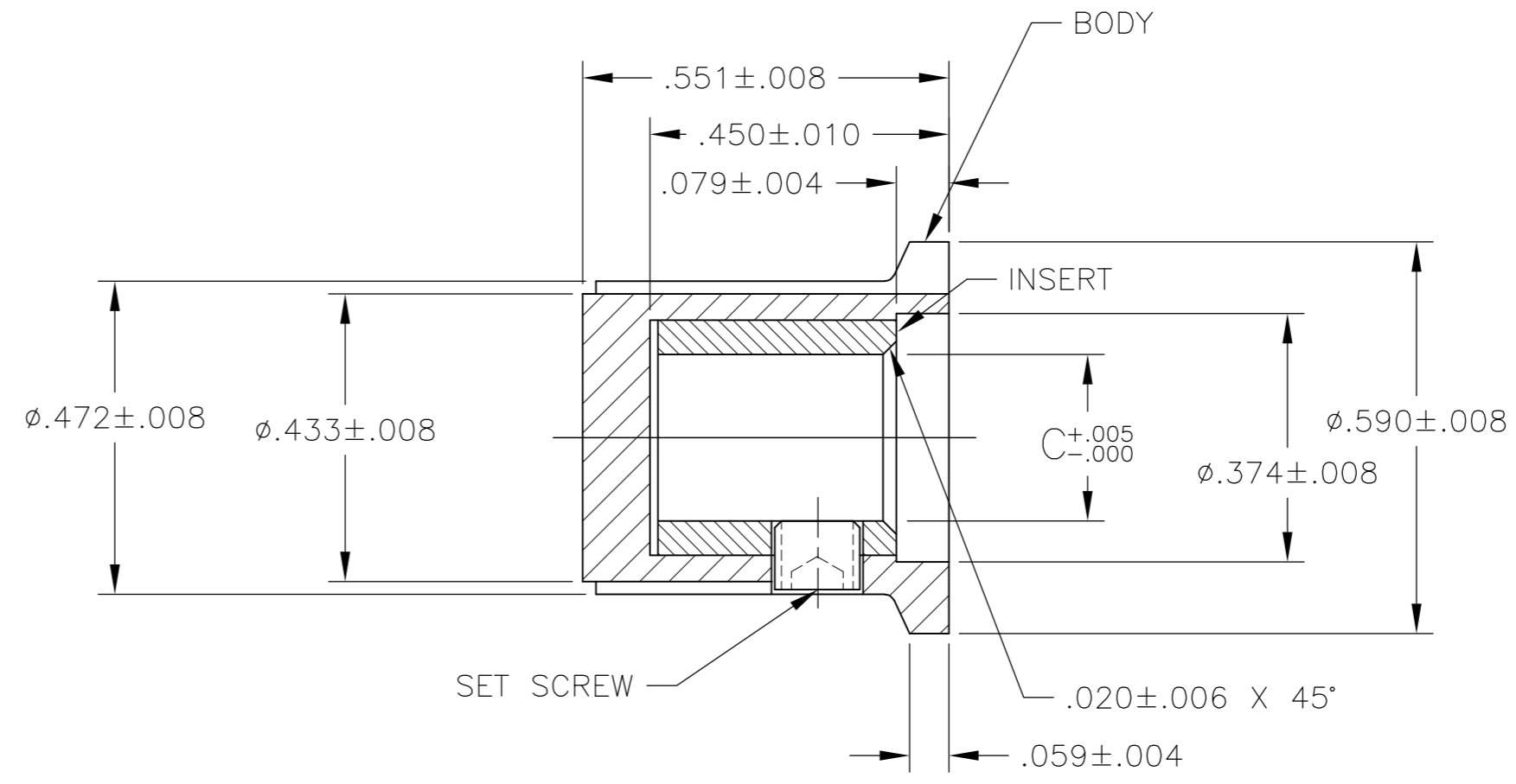
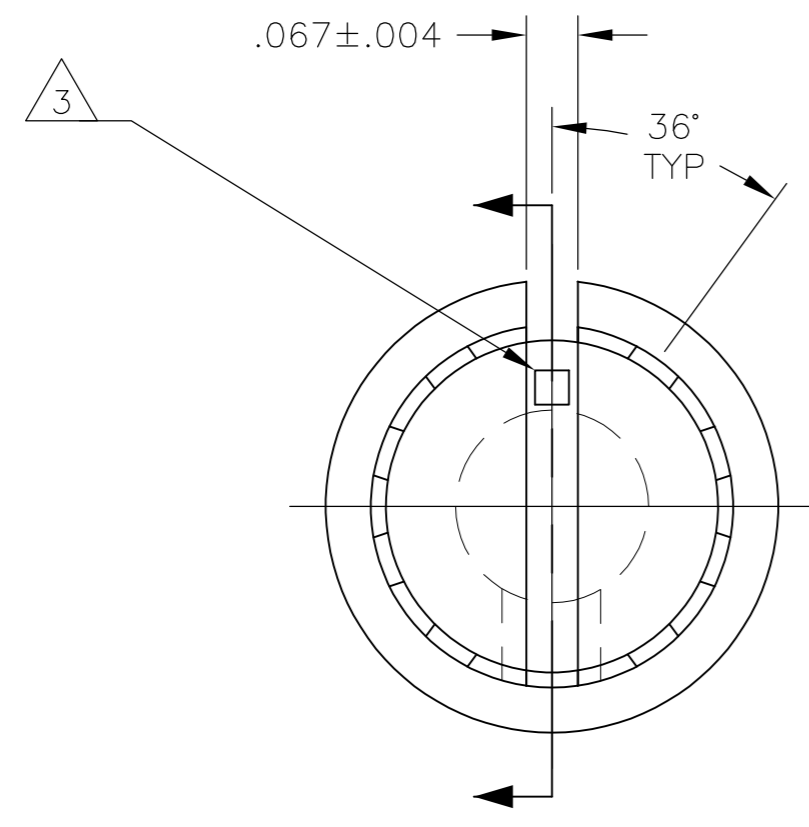


THIS DRAWING IS UNPUBLISHED. RELEASED FOR PUBLICATION  
 © COPYRIGHT - By - ALL RIGHTS RESERVED.

| LOC | DIST | REVISIONS                 |           |     |      |
|-----|------|---------------------------|-----------|-----|------|
| P   | LTR  | DESCRIPTION               | DATE      | DWN | APVD |
| AD  | 0    |                           |           |     |      |
|     | K1   | REVISED PER ECO-16-001115 | 02FEB2016 | NK  | RH   |



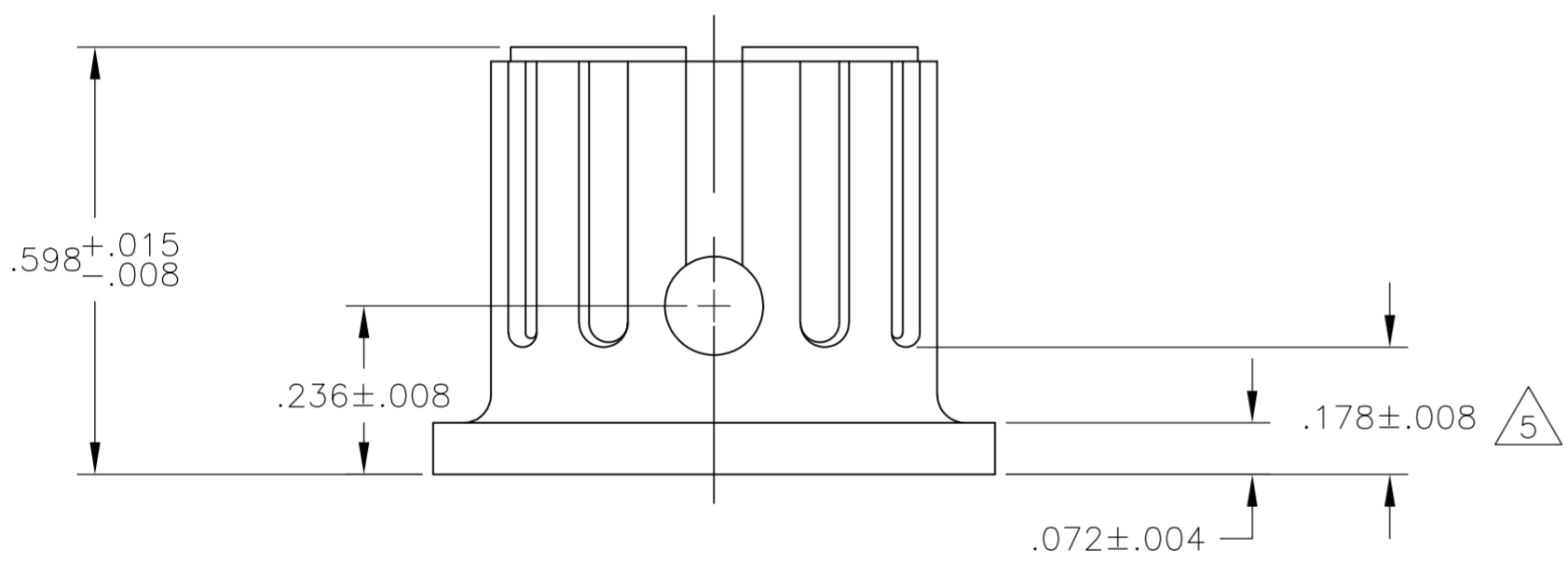
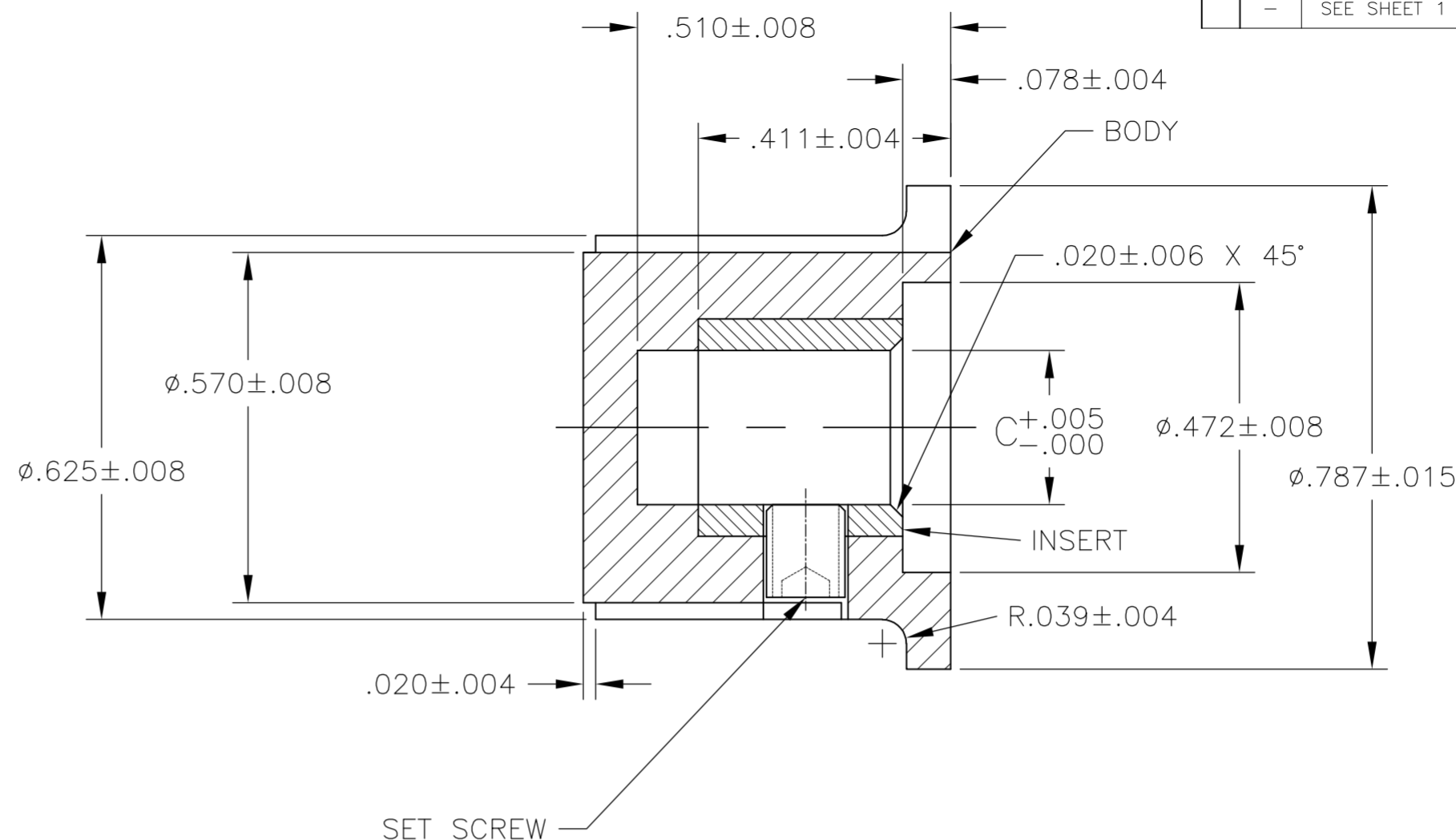
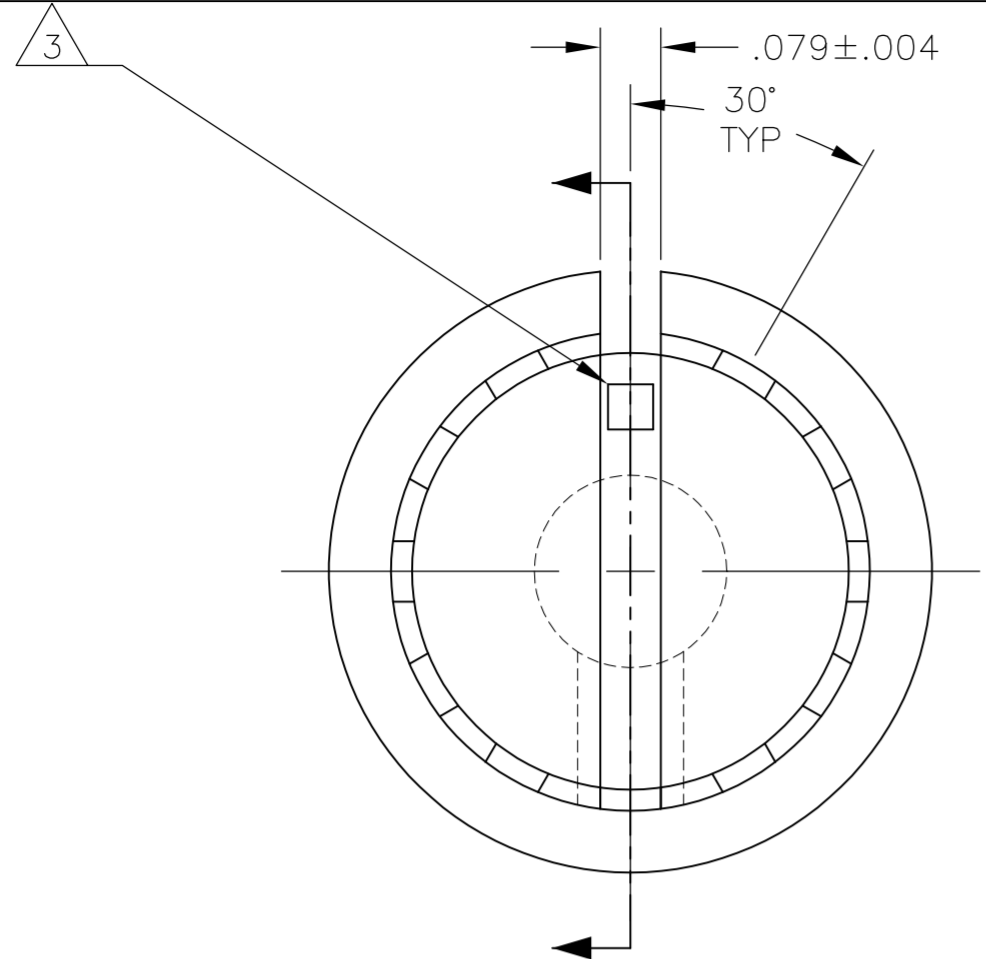
- 1 MATERIAL AND FINISH:  
 BODY: PHENOLIC, BLACK  
 SET SCREW: 303 STAINLESS STEEL, BLACK ANODIZED  
 INSERT: BRASS
- 2 SET SCREWS ARE UNC-2A, CUP POINT, HEX HEAD TYPE. LENGTH TOLERANCE OF ALL SET SCREWS TO BE ±.010
- 3 INDICATOR, PAINTED FULL, COLOR: WHITE; .030 ± .010 DEEP
- 4 RETENTION FORCE OF INSERT IN KNOB BODY: 2 LBS MIN.
- 5 DIMENSION DOES NOT APPLY TO SET SCREW COUNTERBORE.

|              |      |              |              |
|--------------|------|--------------|--------------|
| #4-40 X .187 | .251 | -            | 1571682-1    |
| #4-40 X .125 | .126 | PKX50B1/8    | 1-1437625-5  |
| #4-40 X .125 | .251 | PKX50B1/4    | 1-1437625-4  |
| 2 SET SCREW  |      | C SHAFT HOLE | MODEL NUMBER |
|              |      |              | PART NUMBER  |

| DIMENSIONS: |  | TOLERANCES UNLESS OTHERWISE SPECIFIED: |        | DWN              |          | 12MAR03       |               |
|-------------|--|--|--------|------------------|----------|---------------|---------------|
| INCHES      |  | 0 PLC                                  | ± -    | CHK              | M.BINNER |               |               |
|             |  | 1 PLC                                  | ± -    | APVD             |          |               |               |
|             |  | 2 PLC                                  | ± -    | PRODUCT SPEC     |          |               |               |
|             |  | 3 PLC                                  | ± .004 | APPLICATION SPEC |          |               |               |
|             |  | 4 PLC                                  | ± -    |                  |          |               |               |
|             |  | ANGLES                                 | ± 2°   |                  |          |               |               |
| MATERIAL    |  | FINISH                                 |        | WEIGHT           |          | SIZE          | CAGE CODE     |
|             |  |  |        |                  |          | A2            | 00779         |
|             |  |  |        | CUSTOMER DRAWING |          | DRAWING NO    | RESTRICTED TO |
|             |  |  |        |                  |          | C=1-1437625-1 |               |
|             |  |  |        |                  |          | SCALE         | SHEET         |
|             |  |  |        |                  |          | 1:1           | 1 of 6        |
|             |  |  |        |                  |          | REV           | K1            |

THIS DRAWING IS UNPUBLISHED. RELEASED FOR PUBLICATION  
 © COPYRIGHT - By - ALL RIGHTS RESERVED.

| LOC |   | DIST |     | REVISIONS   |      |     |      |
|-----|---|------|-----|-------------|------|-----|------|
| AD  | 0 | P    | LTR | DESCRIPTION | DATE | DWN | APVD |
|     |   | -    |     | SEE SHEET 1 | -    | -   | -    |



|                       |      |            |              |
|-----------------------|------|------------|--------------|
| #6-32 X .125          | .126 | PKX60B1/8  | 1-1437625-7  |
| OBSOLETE #6-32 X .125 | .251 | PKX60B1/4  | 1-1437625-6  |
| SET SCREW             | C    | SHAFT HOLE | MODEL NUMBER |
| 2                     |      |            | PART NUMBER  |

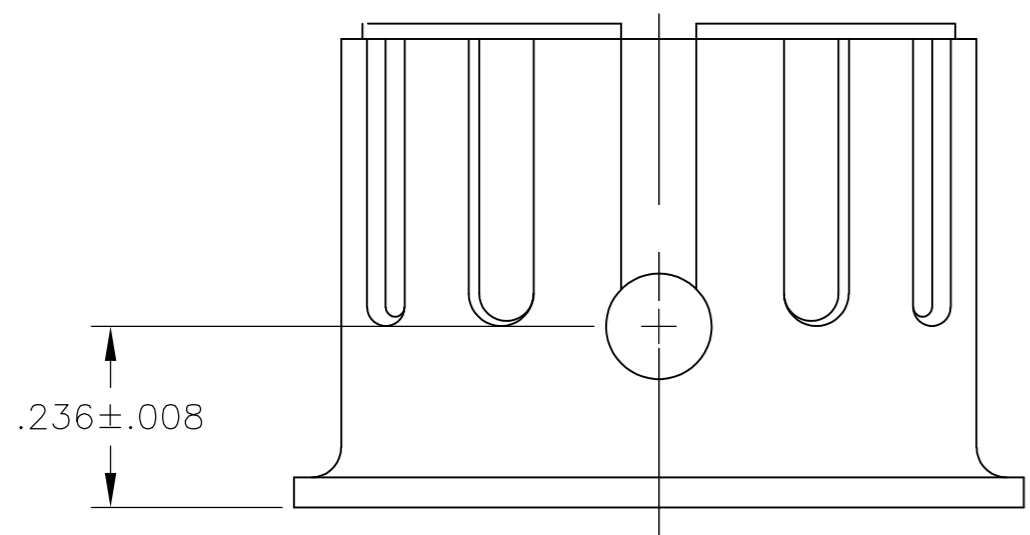
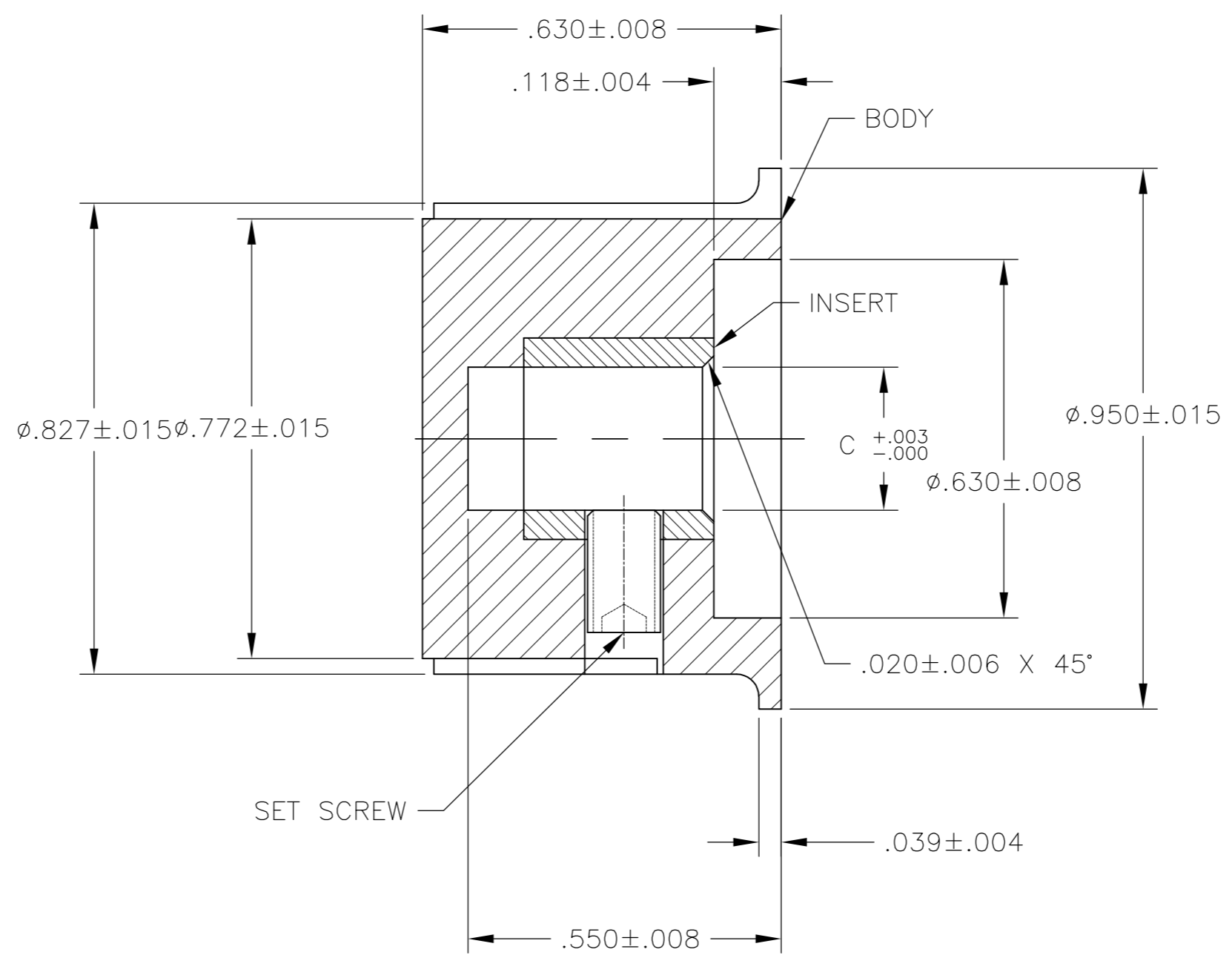
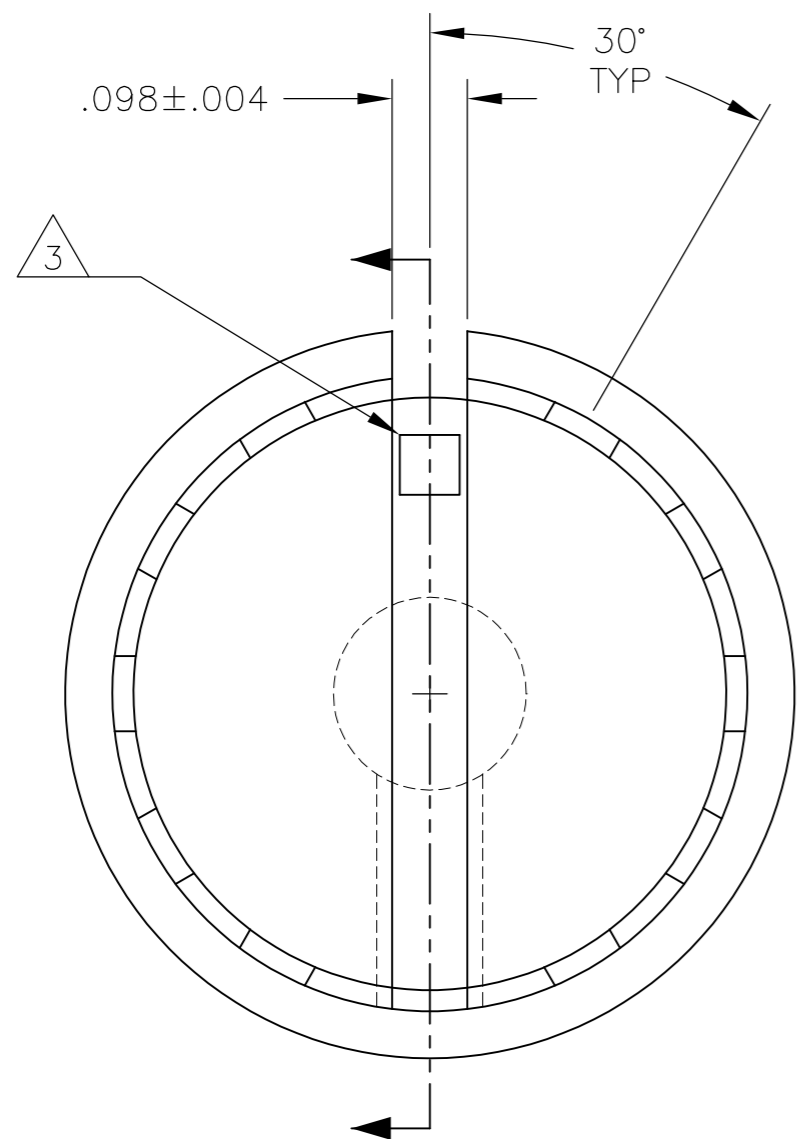
|  |        |                  |           |              |
|--|--------|------------------|-----------|--------------|
| THIS DRAWING IS A CONTROLLED DOCUMENT. |        | DWN              | M.BINNER  | 12MAR03      |
| DIMENSIONS: INCHES                     |        | CHK              | -         | -            |
| TOLERANCES UNLESS OTHERWISE SPECIFIED: |        | APVD             | -         | -            |
| 0 PLC                                  | ± -    | PRODUCT SPEC     | -         | -            |
| 1 PLC                                  | ± -    | APPLICATION SPEC | -         | -            |
| 2 PLC                                  | ± -    | WEIGHT           | -         | -            |
| 3 PLC                                  | ± .004 | SCALE            | A2        | 00779        |
| 4 PLC                                  | ± -    | FINISH           | -         | -            |
| ANGLES                                 | ± 2'   | SIZE             | CAGE CODE | DRAWING NO   |
|  |        | RESTRICTED TO    | -         | -            |
| CUSTOMER DRAWING                       |        | SCALE            | 1:1       | SHEET 2 of 6 |
|  |        | REV              | K1        |              |



PKX SERIES KNOB

THIS DRAWING IS UNPUBLISHED. RELEASED FOR PUBLICATION  
 © COPYRIGHT - By - ALL RIGHTS RESERVED.

| LOC |     | DIST        |      | REVISIONS |      |  |  |
|-----|-----|-------------|------|-----------|------|--|--|
| P   | LTR | DESCRIPTION | DATE | DWN       | APVD |  |  |
| -   | -   | SEE SHEET 1 | -    | -         | -    |  |  |

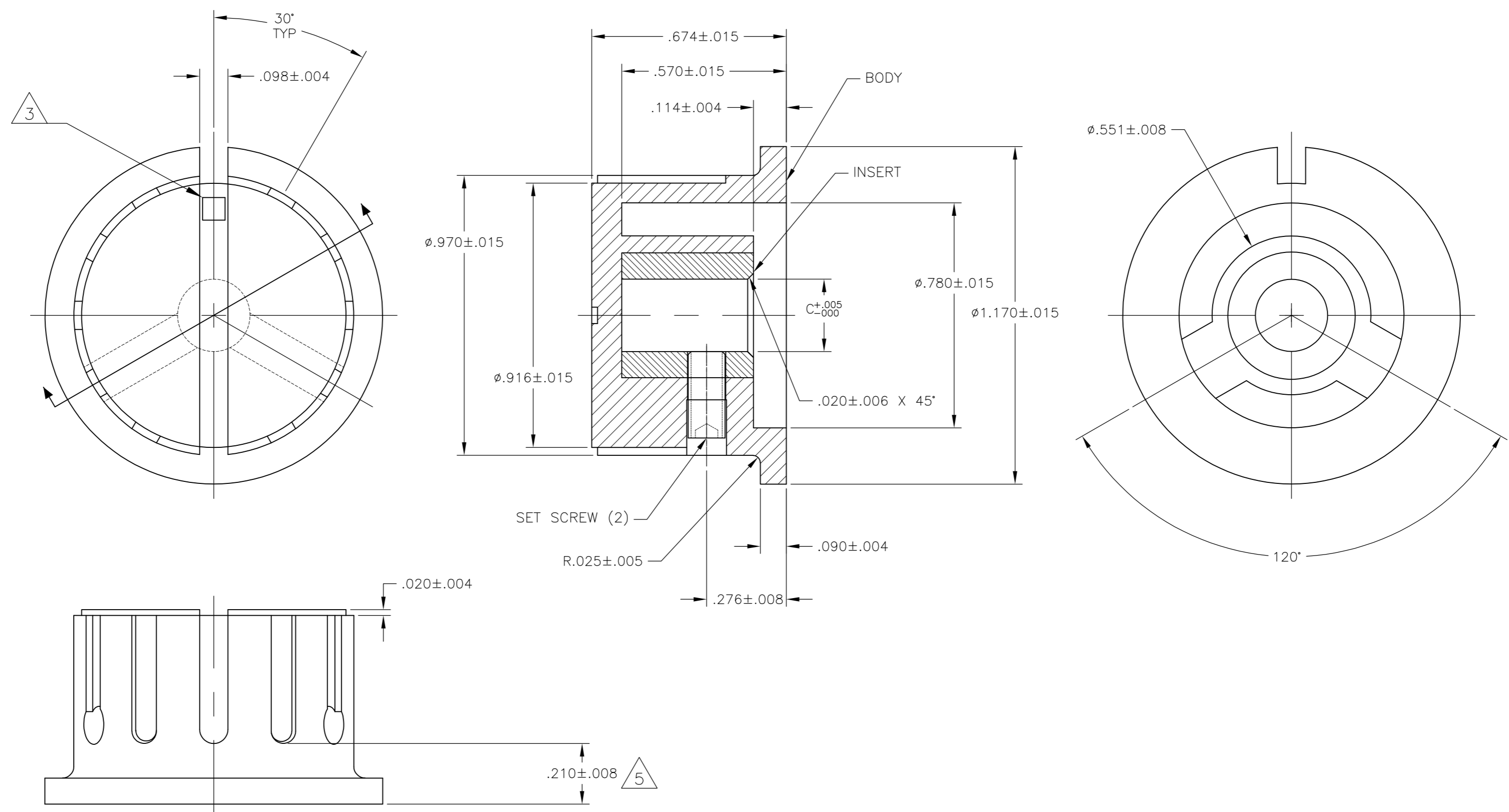


|          |              |      |              |             |
|----------|--------------|------|--------------|-------------|
| OBSOLETE | #6-32 X .250 | .251 | PKX80B1/4    | 1-1437625-8 |
|          | SET SCREW    |      | SHAFT HOLE   |             |
|          |              |      | MODEL NUMBER | PART NUMBER |

|  |  |                  |         |                           |             |
|--|--|------------------|---------|---------------------------|-------------|
| THIS DRAWING IS A CONTROLLED DOCUMENT. |  | DWN              | 12MAR03 | <b>TE</b> TE Connectivity |             |
| DIMENSIONS: INCHES                     |  | CHK              | -       |                           |             |
| TOLERANCES UNLESS OTHERWISE SPECIFIED: |  | APVD             | -       | NAME                      |             |
| 0 PLC ± -                              |  | PRODUCT SPEC     | -       | PKX SERIES KNOB           |             |
| 1 PLC ± -                              |  | APPLICATION SPEC | -       | -                         |             |
| 2 PLC ± -                              |  | WEIGHT           | -       | SIZE                      | CAGE CODE   |
| 3 PLC ± .004                           |  | CUSTOMER DRAWING | -       | A2                        | 00779       |
| 4 PLC ± -                              |  | SCALE            | 1:1     | DRAWING NO                | 1-1437625-1 |
| ANGLES ± 2°                            |  | SHEET            | 3 of 6  | RESTRICTED TO             | -           |
| FINISH                                 |  | REV              | K1      |                           |             |

THIS DRAWING IS UNPUBLISHED. RELEASED FOR PUBLICATION  
 © COPYRIGHT - By - ALL RIGHTS RESERVED.

| LOC |     | DIST        |      | REVISIONS |      |  |  |
|-----|-----|-------------|------|-----------|------|--|--|
| P   | LTR | DESCRIPTION | DATE | DWN       | APVD |  |  |
| AD  | 0   | SEE SHEET 1 |      |           |      |  |  |

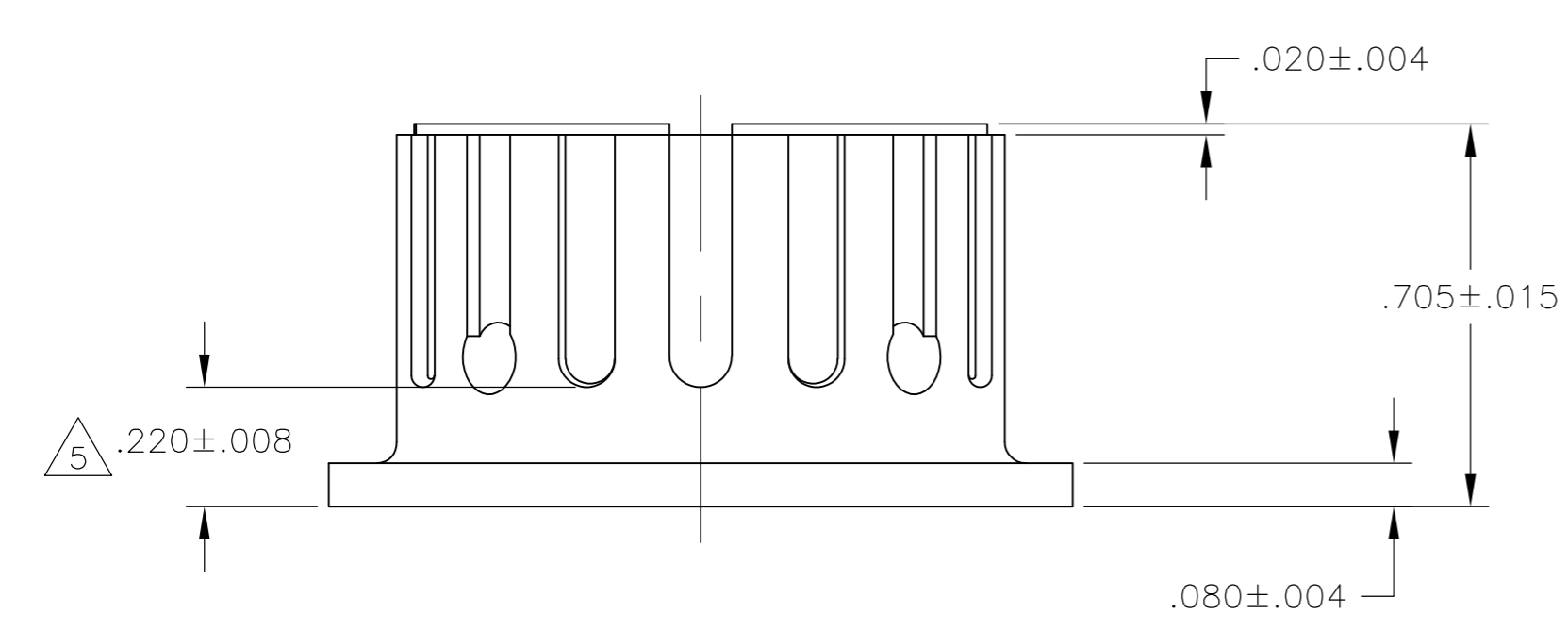
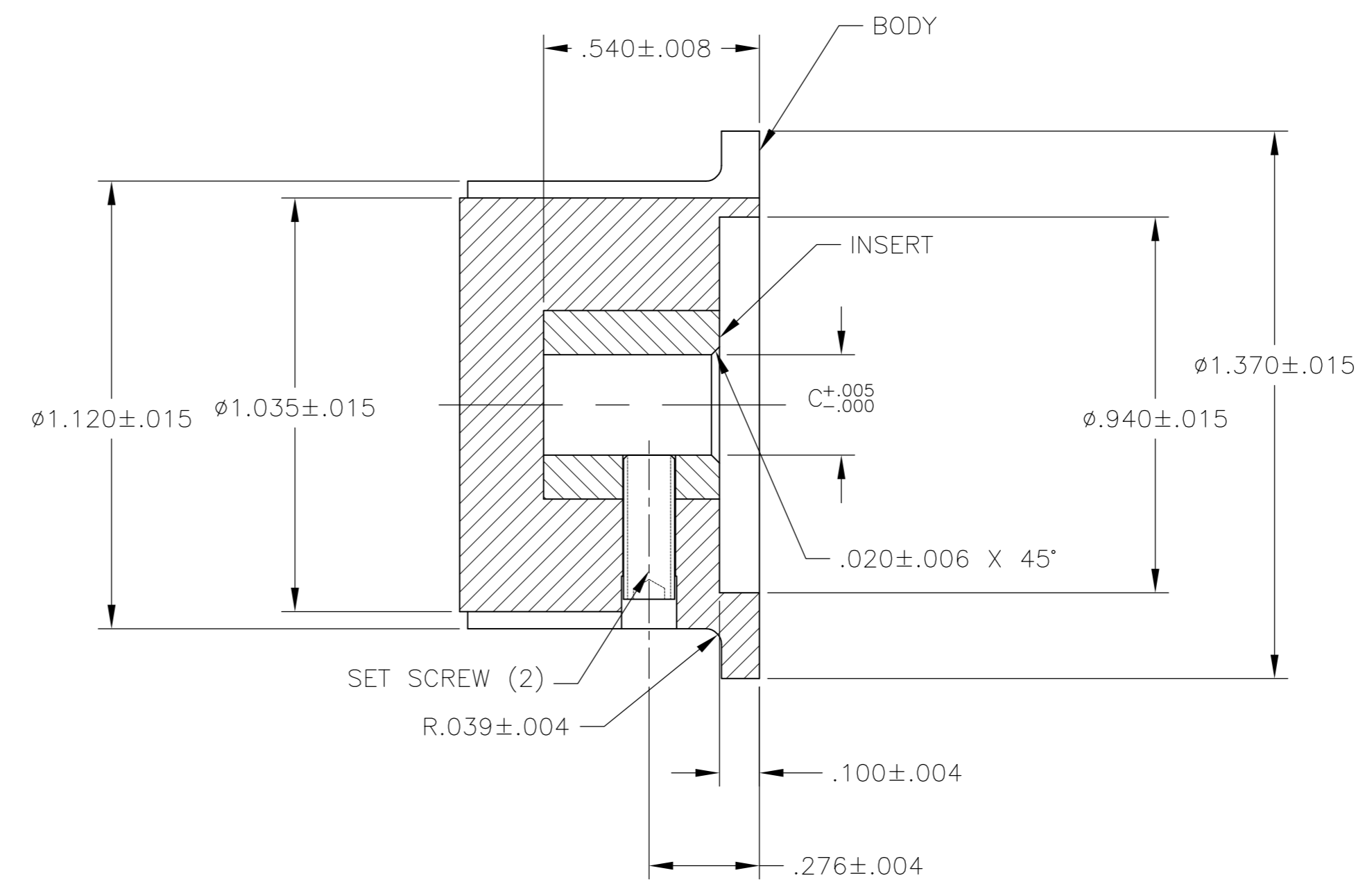
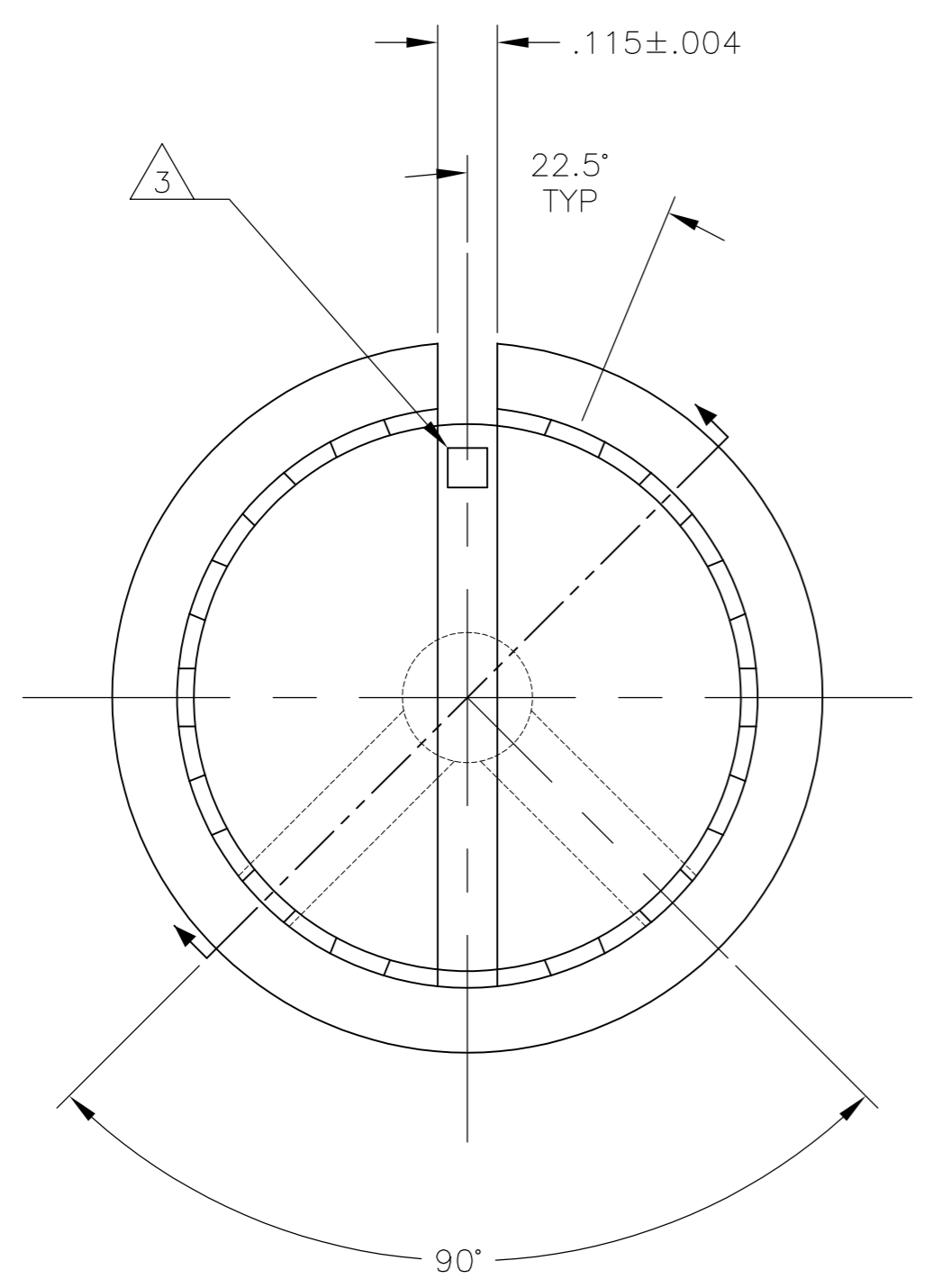


|              |            |              |             |
|--------------|------------|--------------|-------------|
| #6-32 X .313 | .251       | PKX100B1/4   | 1-1437625-1 |
| SET SCREW    | SHAFT HOLE | MODEL NUMBER | PART NUMBER |

|  |  |                  |           |                 |             |
|--|--|------------------|-----------|-----------------|-------------|
| THIS DRAWING IS A CONTROLLED DOCUMENT. |  | DWN              | 12MAR03   | M.BINNER        |             |
| DIMENSIONS: INCHES                     |  | CHK              | -         | APVD            |             |
| TOLERANCES UNLESS OTHERWISE SPECIFIED: |  | PRODUCT SPEC     | -         | NAME            |             |
| 0 PLC ± -                              |  | APPLICATION SPEC | -         | PKX SERIES KNOB |             |
| 1 PLC ± -                              |  | WEIGHT           | -         | SIZE            | CAGE CODE   |
| 2 PLC ± -                              |  | MATERIAL         | -         | A2              | 00779       |
| 3 PLC ± .004                           |  | FINISH           | -         | DRAWING NO      | 1-1437625-1 |
| 4 PLC ± -                              |  |                  |           | RESTRICTED TO   | -           |
| ANGLES ± 2°                            |  | CUSTOMER DRAWING | SCALE 1:1 | SHEET 4 of 6    | REV K1      |

THIS DRAWING IS UNPUBLISHED. RELEASED FOR PUBLICATION  
 © COPYRIGHT - By - ALL RIGHTS RESERVED.

| LOC         |     | DIST        |      | REVISIONS |      |  |  |
|-------------|-----|-------------|------|-----------|------|--|--|
| P           | LTR | DESCRIPTION | DATE | DWN       | APVD |  |  |
| AD          | 0   |             |      |           |      |  |  |
| SEE SHEET 1 |     |             |      |           |      |  |  |



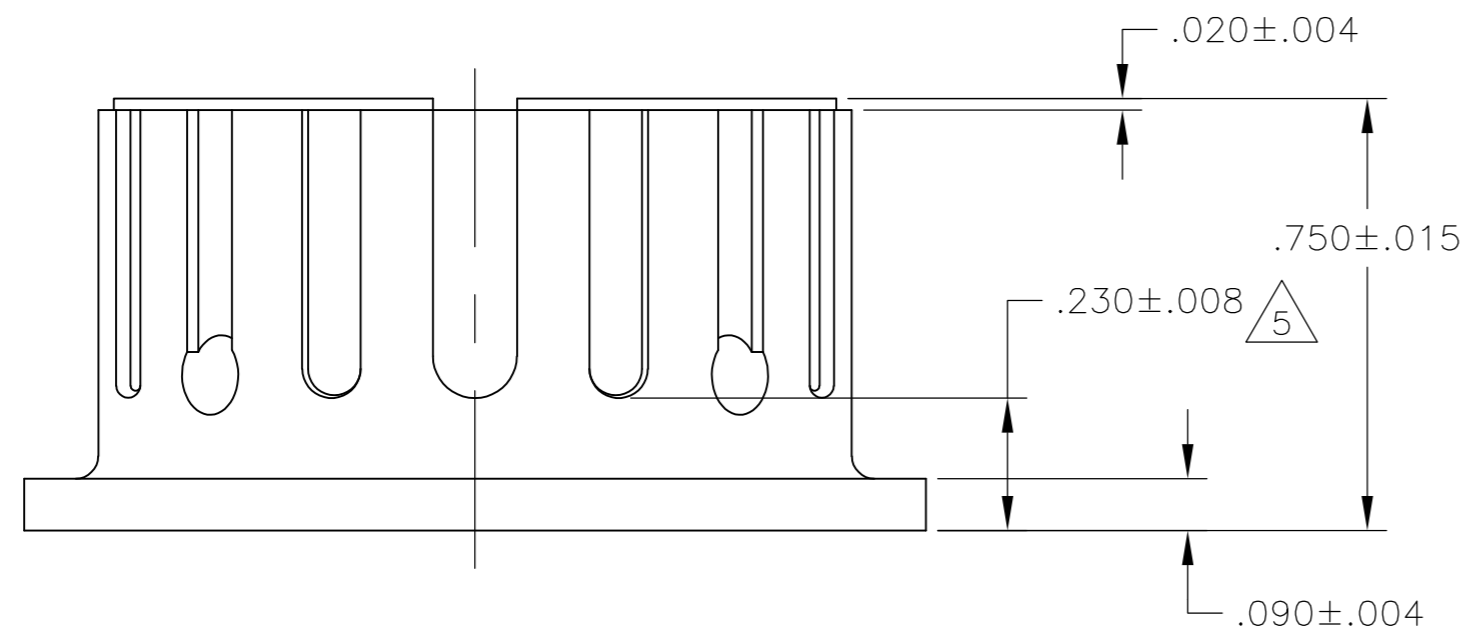
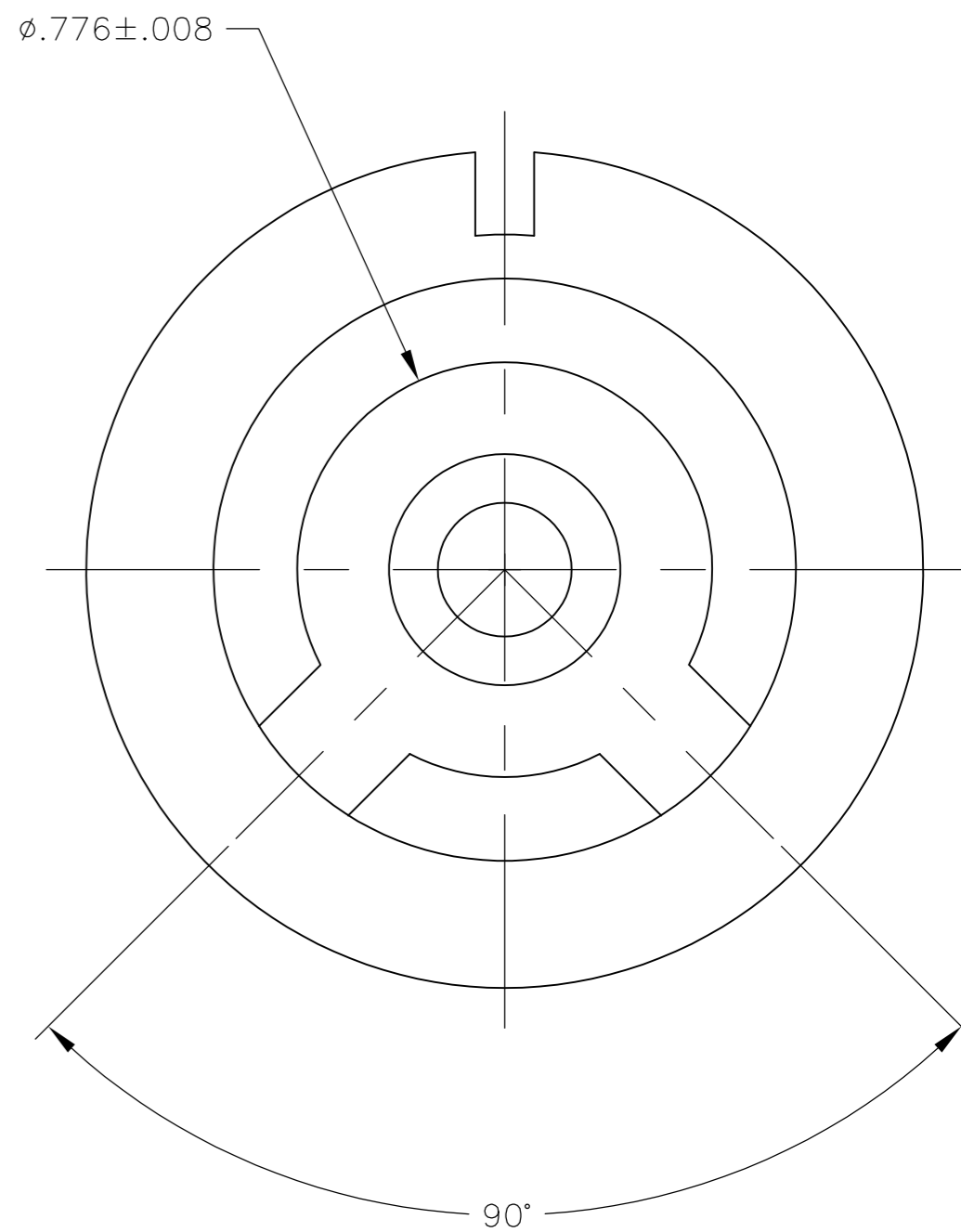
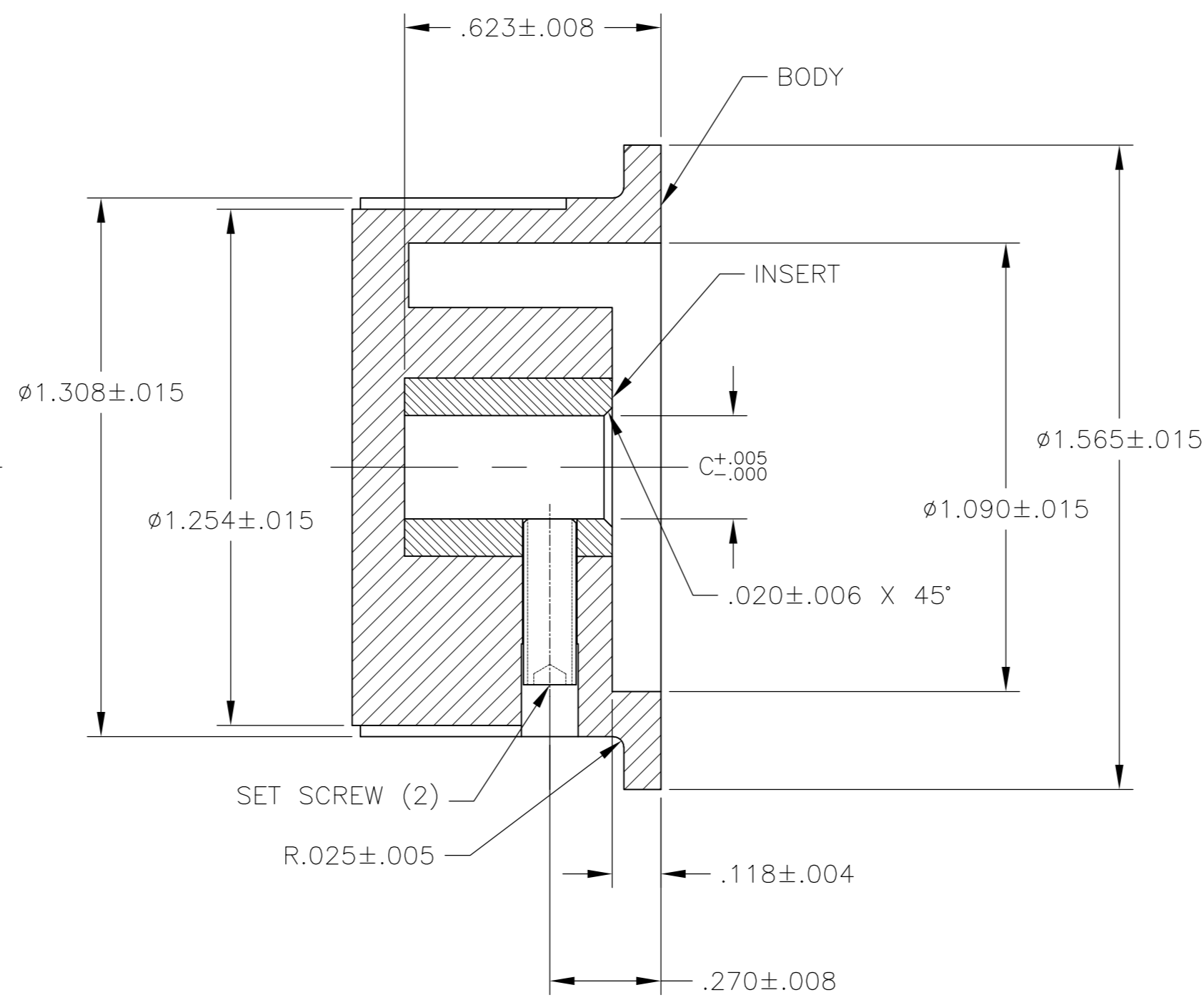
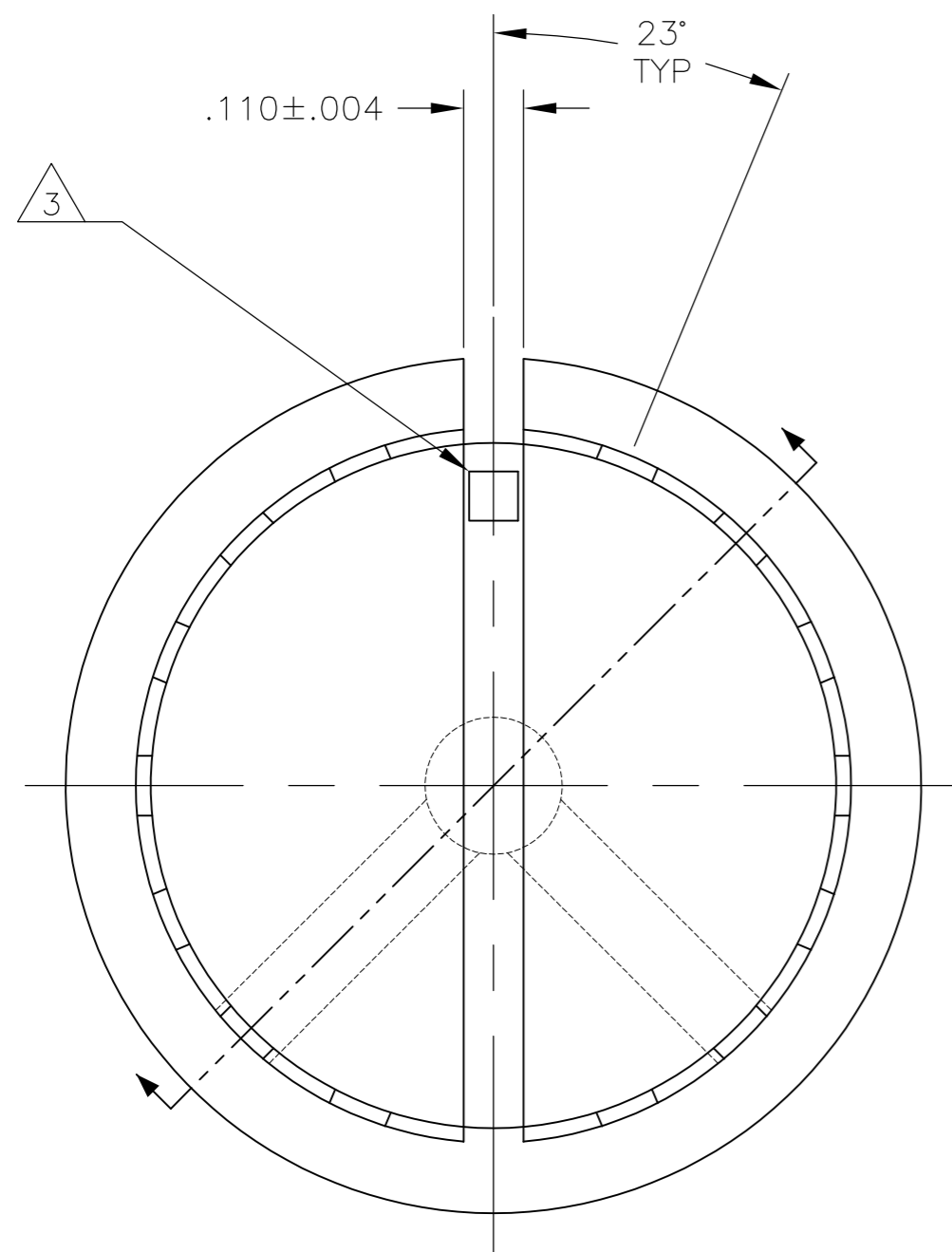
|              |            |              |             |
|--------------|------------|--------------|-------------|
| #6-32 X .313 | .251       | PKX110B1/4   | 1-1437625-2 |
| SET SCREW    | C          | MODEL NUMBER | PART NUMBER |
| 2            | SHAFT HOLE |              |             |

|   |        |                  |         |                  |       |
|---|--------|------------------|---------|------------------|-------|
| THIS DRAWING IS A CONTROLLED DOCUMENT.  |        | DWN              | 12MAR03 | M.BINNER         |       |
| DIMENSIONS: INCHES  |        | CHK              | -       | APVD             |       |
| TOLERANCES UNLESS OTHERWISE SPECIFIED:  |        | PRODUCT SPEC     | -       | APPLICATION SPEC |       |
| 0 PLC ± -<br>1 PLC ± -<br>2 PLC ± -<br>3 PLC ± .004<br>4 PLC ± -<br>ANGLES ± 2° |        | WEIGHT           | -       | SIZE             | A2    |
| MATERIAL  | FINISH | CUSTOMER DRAWING | SCALE   | 1:1              | SHEET |
| -   | -      |                  |         | 5 of 6           | REV   |
|   |        |                  |         |                  | K1    |

|                 |           |                 |               |
|-----------------|-----------|-----------------|---------------|
| TE Connectivity |           | PKX SERIES KNOB |               |
| SIZE            | CAGE CODE | DRAWING NO      | RESTRICTED TO |
| A2              | 00779     | 1-1437625-1     | -             |

THIS DRAWING IS UNPUBLISHED. RELEASED FOR PUBLICATION  
 © COPYRIGHT - By - ALL RIGHTS RESERVED.

| REVISIONS |     |             |   | DATE | DWN | APVD |
|-----------|-----|-------------|---|------|-----|------|
| P         | LTR | DESCRIPTION |   |      |     |      |
| -         | -   | SEE SHEET 1 | - | -    | -   | -    |



|  |        |                  |          |              |
|--|--------|------------------|----------|--------------|
| THIS DRAWING IS A CONTROLLED DOCUMENT. |        | DWN              | M.BINNER | 12MAR03      |
| DIMENSIONS: INCHES                     |        | CHK              | -        | -            |
| TOLERANCES UNLESS OTHERWISE SPECIFIED: |        | APVD             | -        | -            |
| 0 PLC                                  | ± -    | PRODUCT SPEC     | -        | -            |
| 1 PLC                                  | ± -    | APPLICATION SPEC | -        | -            |
| 2 PLC                                  | ± -    | WEIGHT           | -        | -            |
| 3 PLC                                  | ± .004 | SCALE            | 1:1      | SHEET 6 of 6 |
| 4 PLC                                  | ± -    | CUSTOMER DRAWING | -        | REV K1       |
| ANGLES                                 | ± 2°   | FINISH           |          |              |

|                           |            |              |               |
|---------------------------|------------|--------------|---------------|
| #6-32 X .438              | .251       | PKX130B1/4   | 1-1437625-3   |
| SET SCREW                 | SHAFT HOLE | MODEL NUMBER | PART NUMBER   |
| <b>TE</b> TE Connectivity |            |              |               |
| PKX SERIES KNOB           |            |              |               |
| SIZE                      | CAGE CODE  | DRAWING NO   | RESTRICTED TO |
| A2                        | 00779      | 1-1437625-1  | -             |

1-1437625-1

## Данный компонент на территории Российской Федерации

### Вы можете приобрести в компании MosChip.

Для оперативного оформления запроса Вам необходимо перейти по данной ссылке:

<http://moschip.ru/get-element>

Вы можете разместить у нас заказ для любого Вашего проекта, будь то серийное производство или разработка единичного прибора.

В нашем ассортименте представлены ведущие мировые производители активных и пассивных электронных компонентов.

Нашей специализацией является поставка электронной компонентной базы двойного назначения, продукции таких производителей как XILINX, Intel (ex.ALTERA), Vicor, Microchip, Texas Instruments, Analog Devices, Mini-Circuits, Amphenol, Glenair.

Сотрудничество с глобальными дистрибьюторами электронных компонентов, предоставляет возможность заказывать и получать с международных складов практически любой перечень компонентов в оптимальные для Вас сроки.

На всех этапах разработки и производства наши партнеры могут получить квалифицированную поддержку опытных инженеров.

Система менеджмента качества компании отвечает требованиям в соответствии с ГОСТ Р ИСО 9001, ГОСТ РВ 0015-002 и ЭС РД 009

### Офис по работе с юридическими лицами:

105318, г.Москва, ул.Щербаковская д.3, офис 1107, 1118, ДЦ «Щербаковский»

Телефон: +7 495 668-12-70 (многоканальный)

Факс: +7 495 668-12-70 (доб.304)

E-mail: [info@moschip.ru](mailto:info@moschip.ru)

Skype отдела продаж:

moschip.ru

moschip.ru\_4

moschip.ru\_6

moschip.ru\_9