

# General Specifications

## Electrical Capacity (Resistive Load)

|                             |                |
|-----------------------------|----------------|
| <b>Switching Rating:</b>    | 100mA @ 5V DC  |
| <b>Nonswitching Rating:</b> | 100mA @ 50V DC |

## Other Ratings

|                               |   |
|-------------------------------|---|
| <b>Contact Resistance:</b>    | 100 milliohms maximum for circuit; 30 milliohms maximum for contact point |
| <b>Insulation Resistance:</b> | 1,000 megohms minimum @ 250V DC   |
| <b>Dielectric Strength:</b>   | 250V AC minimum for 1 minute minimum                                      |
| <b>Mechanical Life:</b>       | 10,000 detent operations minimum  |
| <b>Electrical Life:</b>       | 10,000 detent operations minimum  |

Notes: A detent operation is one actuator position operation or stepping.  
A cycle is one 360° rotation. 10,000 detent operations equal 625 cycles for hexadecimal devices or 1,000 cycles for decimal devices.

|                                  |   |
|----------------------------------|---|
| <b>Nominal Operating Torque:</b> | 0.008Nm for decimal devices; 0.01Nm for hexadecimal devices |
| <b>Contact Timing:</b>           | Nonshorting   |

## Materials & Finishes

|                             |  |
|-----------------------------|--|
| <b>Actuator:</b>            | Glass fiber reinforced polyamide (UL94V-0) |
| <b>Housing &amp; Base:</b>  | Glass fiber reinforced polyamide (UL94V-0) |
| <b>Leaf Spring:</b>         | Stainless steel                            |
| <b>Movable Contacts:</b>    | Copper alloy with gold plating             |
| <b>Stationary Contacts:</b> | Phosphor bronze with gold plating          |
| <b>Terminals:</b>           | Phosphor bronze with gold plating          |

## Environmental Data

|                                     |   |
|-------------------------------------|---|
| <b>Operating Temperature Range:</b> | -25°C through +85°C (-13°F through +185°F)  |
| <b>Humidity:</b>                    | 90 ~ 95% humidity for 240 hours @ 40°C (104°F)  |
| <b>Vibration:</b>                   | 10 ~ 55Hz with peak-to-peak amplitude of 1.5mm traversing the frequency range & returning in 5 minutes; 3 right angled directions for 2 hours |
| <b>Shock:</b>                       | 50G (490m/s <sup>2</sup> ) acceleration (tested in 6 right angled directions, with 5 shocks in each direction)                                |

## Processing

|                   |   |
|-------------------|---|
| <b>Soldering:</b> | Reflow Soldering Recommended. See Profile A in Supplement section.<br>Note: During Reflow Soldering process, set the switch to the following position:<br>FR02FR10P, FR02FR16P, FR02KR10P, FR02KR16P: 0 position; FR02FC10P, FR02KC10P: 7 position;<br>FR02FC16P, FR02KC16P: F position<br>Manual Soldering: See Profile A in Supplement section. |
| <b>Cleaning:</b>  | These devices are not process sealed. Hand clean locally using alcohol based solution.  |

## Standards & Certifications

|                                |  |
|--------------------------------|--|
| <b>Flammability Standards:</b> | UL94V-0 rated actuator, housing, & base<br>The FR02 Series rotaries have not been tested for UL recognition or CSA certification.<br>These switches are designed for use in a low-voltage, low-current circuit.<br>When used as intended, the results do not produce hazardous energy. |
|--------------------------------|--|

# Distinctive Characteristics

Slim .150" (3.8mm) body has the lowest profile in the industry and allows close stacking of PC boards.

Highly visible legends and choice of screwdriver or shaft actuators with arrow position indication provide trouble-free code setting.

Detent mechanism gives crisp, positive action for accurate switch setting.

Use of heat resistant resin allows infrared convection reflow soldering.

Gull-winged terminals ensure mechanical stability during soldering and simplify solder joint inspection.

Cam activated movable contact and gold contacts assure contact reliability and continuity.

Tape-reel packaging meets EIA-481-2 Standard.

Coplanarity: all considered surfaces must lie between two parallel planes that are a maximum distance apart of .0059" (0.15mm). (Additional coplanarity details in Terms and Acronyms in the Supplement section.)



Actual Size



## TRUTH TABLES (CIRCUITS & POSITIONS)

| Terminal No. (Output)   | Actuator Position<br>● = ON | 10 Decimal |   |   |   |   |   |   |   |   |   | 16 Hexadecimal |   |   |   |   |   |   |   |   |   |   |   |   |   |   |   |
|---|-----------------------------|------------|---|---|---|---|---|---|---|---|---|----------------|---|---|---|---|---|---|---|---|---|---|---|---|---|---|---|
|   |                             | 0          | 1 | 2 | 3 | 4 | 5 | 6 | 7 | 8 | 9 | 0              | 1 | 2 | 3 | 4 | 5 | 6 | 7 | 8 | 9 | A | B | C | D | E | F |
| <b>R</b> Real Coded<br>Model Numbers:<br>FR02FR, FR02KR       | 1                           |            | ● |   | ● |   | ● |   | ● |   | ● |                | ● |   | ● |   | ● |   | ● |   | ● |   | ● |   | ● |   | ● |
|   | 2                           |            |   | ● | ● |   |   | ● | ● |   |   |                | ● | ● |   |   | ● | ● |   |   |   | ● | ● |   |   | ● | ● |
|   | 4                           |            |   |   |   | ● | ● | ● | ● |   |   |                |   | ● | ● | ● | ● |   |   |   |   | ● | ● | ● | ● |   |   |
|   | 8                           |            |   |   |   |   |   |   |   | ● | ● |                |   |   |   |   |   |   |   | ● | ● | ● | ● | ● | ● | ● | ● |
| <b>C</b> Complement Coded<br>Model Numbers:<br>FR02FC, FR02KC | 1                           | ●          |   | ● |   | ● |   | ● |   | ● |   | ●              |   | ● |   | ● |   | ● |   | ● |   | ● |   | ● |   | ● |   |
|   | 2                           | ●          | ● |   |   | ● | ● |   | ● | ● | ● | ●              |   |   | ● | ● |   |   | ● | ● |   |   | ● | ● |   |   |   |
|   | 4                           | ●          | ● | ● | ● |   |   |   | ● | ● | ● | ●              |   |   |   |   |   |   | ● | ● | ● | ● |   |   |   |   |   |
|   | 8                           | ●          | ● | ● | ● | ● | ● | ● |   |   |   |                | ● | ● | ● | ● | ● | ● |   |   |   |   |   |   |   |   |   |

Terminal numbers are actually on the switch.

## TYPICAL SWITCH ORDERING EXAMPLE



### DESCRIPTION FOR TYPICAL ORDERING EXAMPLE

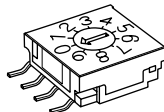
**FR02KR16P-S**



## ACTUATION

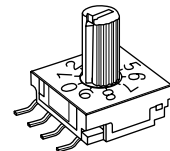
**F** Screwdriver

Adjusted with a flat tipped screwdriver



**K** Plastic Shaft **← NEW**

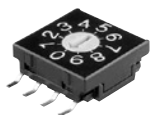
Adjusted by hand or with flat tipped screwdriver



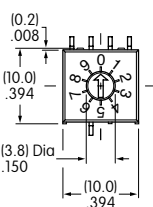
Actuators are fully rotational either clockwise or counterclockwise.  
Actuator Colors: Orange for real coded devices; Yellow for complement coded devices.

## TYPICAL SWITCH DIMENSIONS

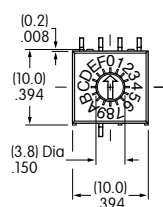
**P** Upright • Screwdriver



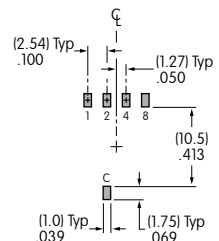
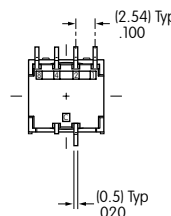
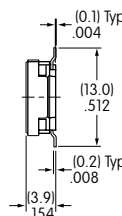
**FR02FC10P**



Decimal

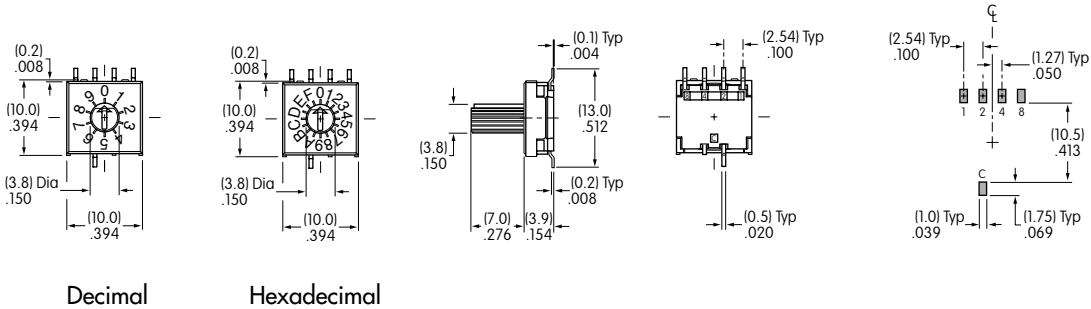


Hexadecimal



TYPICAL SWITCH DIMENSIONS

Upright • Plastic Shaft

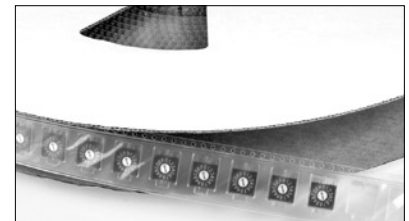
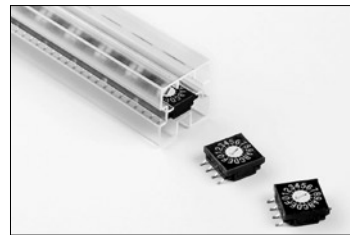
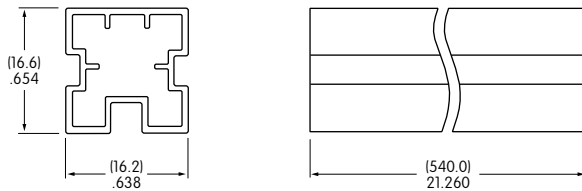


FR02KC16P

PACKAGING

S Stick-Tube

FR02F & FR02K  
Each stick-tube contains 50 switches.  
Switches must be ordered in 50-piece increments.



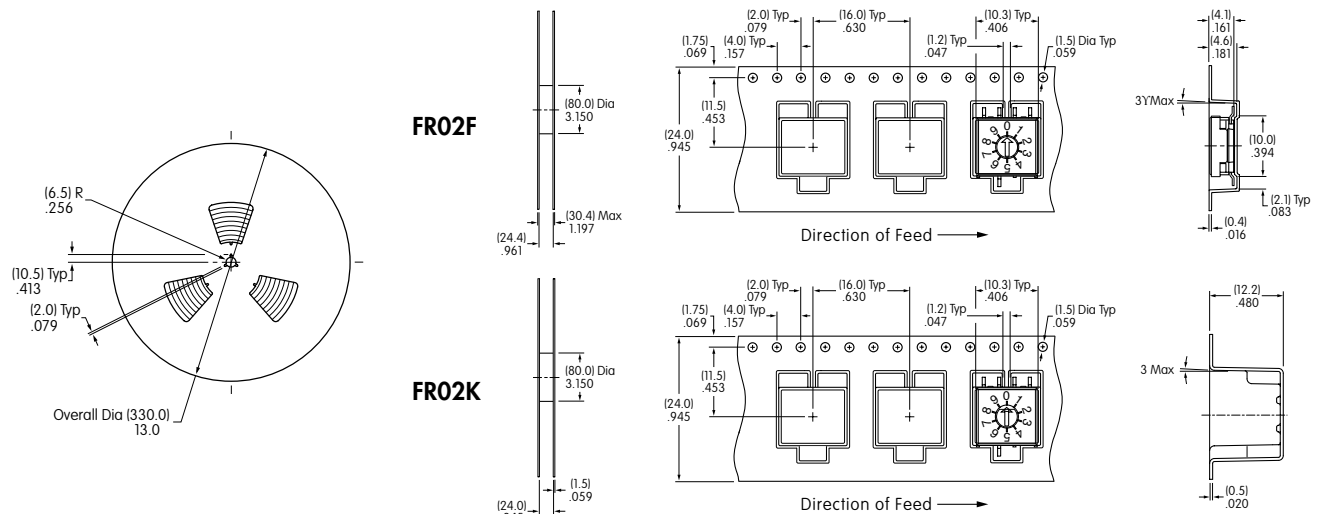
R Tape-Reel

FR02F  
Switches must be ordered in 500-piece increments.  
This packaging meets EIA-481-2 Standard.

Each tape-reel of 550 pockets contains 500 switches.  
Minimum Leader Length: 15.748" (400mm)  
Minimum Trailer Length: 6.299" (160mm)

FR02K  
Switches must be ordered in 200-piece increments.  
This packaging meets EIA-481-2 Standard.

Each tape-reel of 250 pockets contains 200 switches.  
Minimum Leader Length: 15.748" (400mm)  
Minimum Trailer Length: 6.299" (160mm)



Toggles  
Rockers  
Pushbuttons  
Illuminated PB  
Programmable  
Keylocks  
Rotaries  
Slides  
Tactiles  
Tilt  
Touch  
Indicators  
Accessories  
Supplement

## Данный компонент на территории Российской Федерации

### Вы можете приобрести в компании MosChip.

Для оперативного оформления запроса Вам необходимо перейти по данной ссылке:

<http://moschip.ru/get-element>

Вы можете разместить у нас заказ для любого Вашего проекта, будь то серийное производство или разработка единичного прибора.

В нашем ассортименте представлены ведущие мировые производители активных и пассивных электронных компонентов.

Нашей специализацией является поставка электронной компонентной базы двойного назначения, продукции таких производителей как XILINX, Intel (ex.ALTERA), Vicor, Microchip, Texas Instruments, Analog Devices, Mini-Circuits, Amphenol, Glenair.

Сотрудничество с глобальными дистрибьюторами электронных компонентов, предоставляет возможность заказывать и получать с международных складов практически любой перечень компонентов в оптимальные для Вас сроки.

На всех этапах разработки и производства наши партнеры могут получить квалифицированную поддержку опытных инженеров.

Система менеджмента качества компании отвечает требованиям в соответствии с ГОСТ Р ИСО 9001, ГОСТ РВ 0015-002 и ЭС РД 009

### Офис по работе с юридическими лицами:

105318, г.Москва, ул.Щербаковская д.3, офис 1107, 1118, ДЦ «Щербаковский»

Телефон: +7 495 668-12-70 (многоканальный)

Факс: +7 495 668-12-70 (доб.304)

E-mail: [info@moschip.ru](mailto:info@moschip.ru)

Skype отдела продаж:

moschip.ru

moschip.ru\_4

moschip.ru\_6

moschip.ru\_9