

# Electrical Evaluation for LTC6561 Four-Channel Transimpedance Amplifier with Output Multiplexing

## DESCRIPTION

Demonstration circuit 2808A features the [LTC®6561](#) four-channel transimpedance amplifier (TIA) with output multiplexing. The DC2808A accepts voltage pulses and converts them to current for the TIA. The board can also be used to measure bandwidth and channel isolation with a network analyzer. The LTC6561, which features 74KΩ transimpedance gain and 30uA linear input current range, is ideal for LIDAR receivers using Avalanche Photodiodes (APD). The LTC6561 operates from 5V single supply and consumes only 220mW. Utilizing the LTC6561's output

MUX, multiple LTC6561 devices can combine into a single output. The LTC6561's fast overload recovery makes it well suited for LIDAR receivers. The LTC6561's single-ended output can swing  $2V_{P-P}$  into a 100Ω load.

The LTC6561 is packaged in a compact 4mm × 4mm 24-pin leadless QFN package with an exposed pad for thermal management and low inductance.

[Design files for this circuit board are available.](#)

All registered trademarks and trademarks are the property of their respective owners.

## BOARD PHOTO

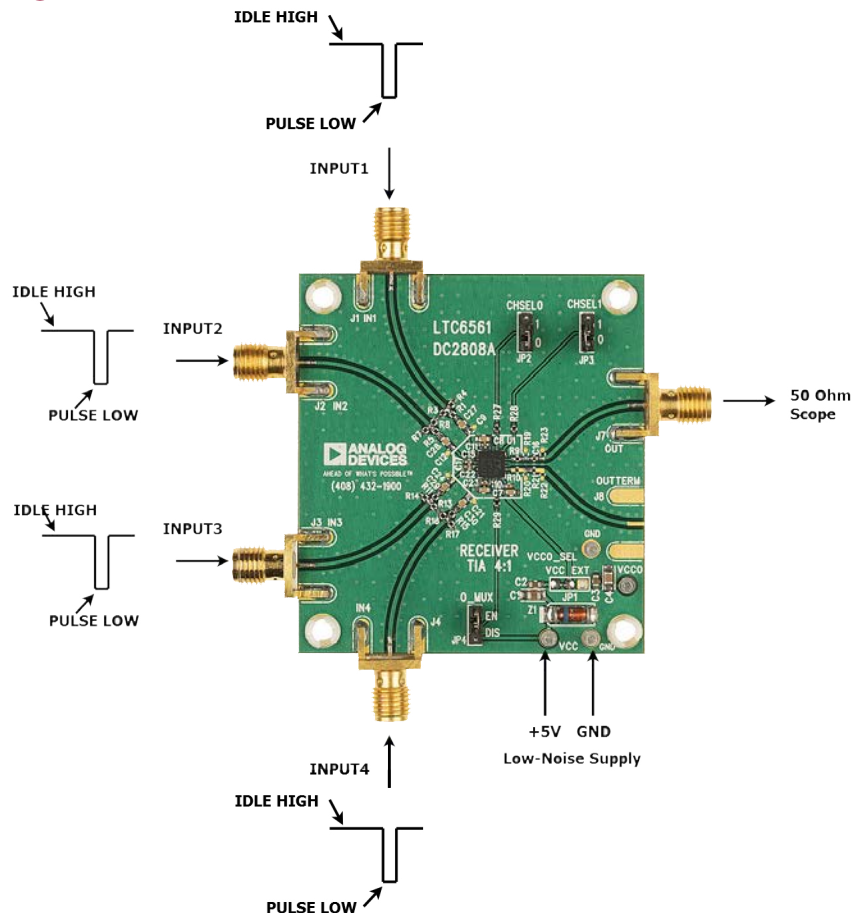


Figure 1. Connection Diagram

## QUICK START PROCEDURE

- 1) Connect a voltage pulse generator to the input to J1, J2, J3, and J4. These inputs are 50Ω terminated to ground, and then AC-coupled. A 2k series resistor converts the voltage to a current. Refer to the input circuit description for details. As an input example, a 25dB attenuator can be used to scale down the pulse generators output that is set to 1V<sub>P-P</sub>. This will produce a peak current that is approximately 28uA. The combination of 100pF AC-coupled input and 1000pF AC-coupled output limits the DC2808A repetition rate to less than 100 KHz.
- 2) Connect J7 to an oscilloscope that is 50Ω terminated or other 50Ω systems. J7 is AC-coupled with a 1000pF capacitor.
- 3) Connect a 5V low-noise power supply shown in Figure 1. V<sub>CC0</sub> is hardwired to V<sub>CC</sub> by default.

## INPUT CIRCUIT DESCRIPTION

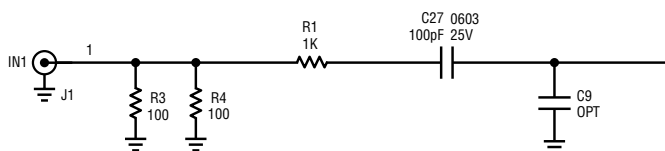


Figure 2. Input Circuit for DC2808A

The input stage, shown in Figure 2, is AC-coupled and 50Ω terminated to allow for interfacing to voltage pulse generators. A series resistor is used to convert the voltage

pulse to a current pulse. This allows the use of a pulse generator to inject a current into the TIA. The following equation should be used to calculate the injected current to the LTC6561:

$$I_{LTC6561} = V_{INPP} / 2k\Omega \quad EQ1$$

The DC2808A allows insertion of excess capacitance C9, C12, C21, C24 respectively to simulate the effect of sensor (APD) capacitance on rise time and bandwidth.

## OUTPUT CIRCUIT DESCRIPTION

For convenience, the LTC6561 offers two outputs: OUTTERM pin has an internal series 50Ω source resistor, and OUT pin has a direct connection. The schematic is shown in Figure 3. Only one output can be used to monitor at a time. The DC2808A output stage is AC-coupled 50Ω source to allow for interfacing to 50Ω systems. J7 is populated by default; this configuration connects to OUT pin on the LTC6561. J8 and its passives can be populated to use the OUTTERM pin. The LTC6561 implements a class B output stage, a 1K pull-down resistor on OUTTERM provide a DC path to ground. This helps the LT6561 output pull to ground when the LTC6561 output is AC-coupled.

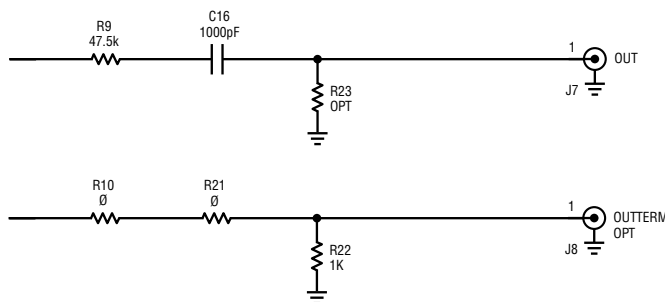


Figure 3. Output Circuit for DC2808A

## USING THE LTC6561 CHANNEL SELECTS

The LTC6561 multiplexing capability allows compact multichannel designs without external multiplexers. To set the channel on the DC2808A, JP2 and JP3 are used. By placing the jumper in the 1 position, the channel select pin

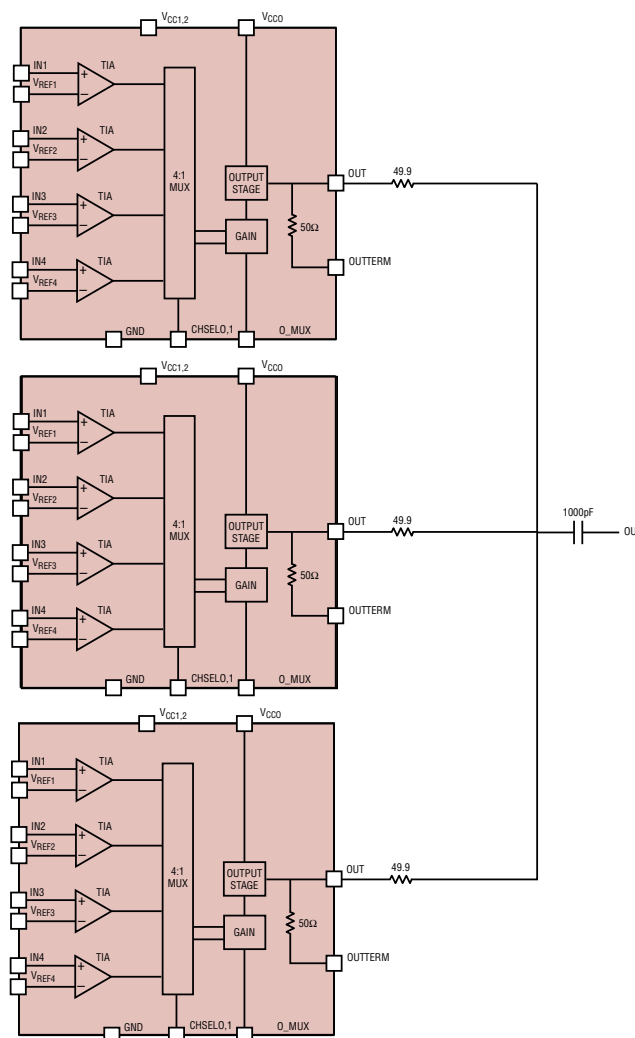
will be tied to VCC. In the 0 position, the channel select pin will float and the internal pull-down resistors pulls the channel to ground. Refer to Table 1 for channel selection.

**Table 1. Channel Selection**

CHSEL1 (JP3)	CHSELO (JP2)	ACTIVE CHANNEL
0	0	1
0	1	2
1	0	3
1	1	4

## CONNECTING MULTIPLE LTC6561S FOR OUTPUT MUXING

The outputs of the LTC6561 can be wire OR'd together to combine multiple inputs. When the OMUX pin is high, the LTC6561s output goes to a high impedance state. When the OMUX pin is low, the LTC6561 is enabled. Only one LTC6561 can be enabled at a time. Source resistors are necessary to avoid reflections from the paths that are inactive. Be sure to keep the output lengths as short as possible to mitigate the effects of transmission line stubs. Figure 4 shows how multiple LTC6561 are connected. Both J7 (Out Pin) or J8 (OUTTERM Pin) can be used to implement output MUXing. By replacing C16 or C21 respectively with a 0Ω 0402 resistor, the output can be DC coupled to connect multiple DC2808A boards. A DC block can then be used to interface with 50Ω systems.



**Figure 4. Diagram of Wire OR'd Outputs of Multiple LTC6561's**

## LAYOUT CONSIDERATIONS

The DC2808A layout is optimized to maximize the LTC6561's performance. The  $V_{REF}$  capacitor for IN1 and IN4 should be orthogonal to the input trace. This orientation helps to reduce coupling from the input to  $V_{REF}$ . The  $V_{REF}$  capacitors for IN2 and IN3 should be placed as close as possible. Local bypass for  $V_{CC0}$  and  $V_{CC}$  should be as

close as possible to the LTC6561. The ground pad in the center of the LTC6561 is important for dissipating the heat from the die and to minimize the ground inductance. Maximizing the number of vias and employing multiple ground plane layers will most effectively heat sink the LTC6561. Figure 5 shows the DC2808A layout.

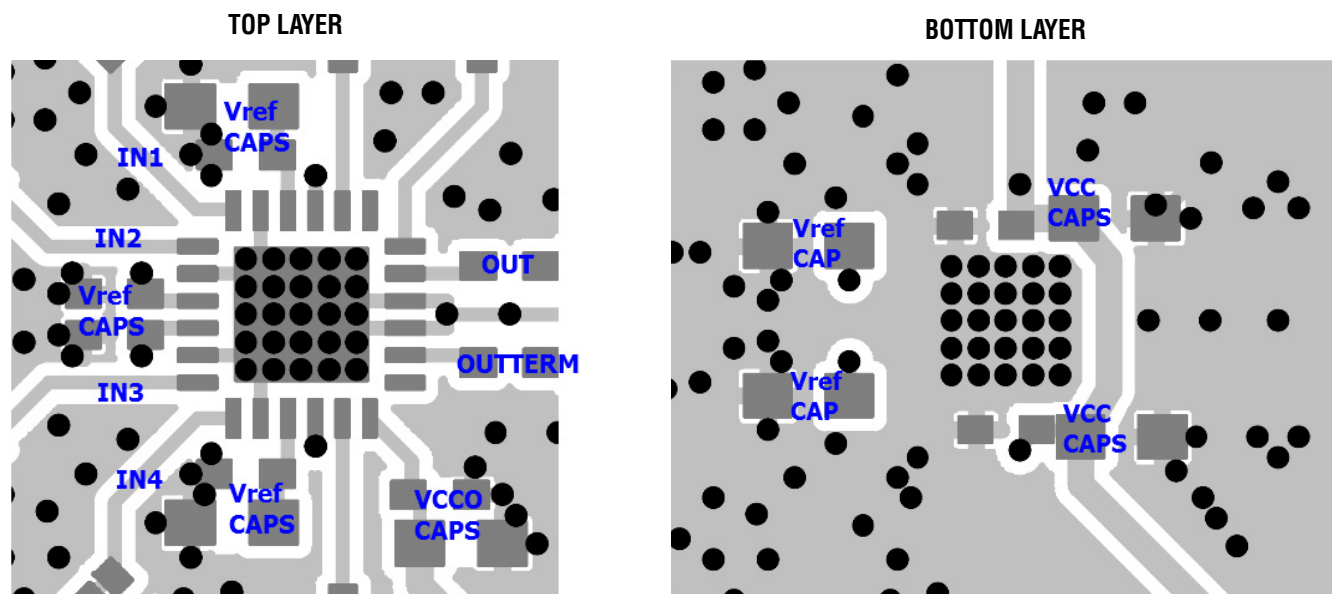


Figure 5. Recommended Layout (Left) Top Layer (Right) Bottom Layer

## INPUT AND OUTPUT

The input of the DC2808A is shown in Figure 6 and is attenuated by 25dB. A 25dB reduction of 300mV is 16.9mV. Using Equation 1, the peak current that the TIA sees is 8.4uA. Thus, the output of the DC2808A should be 310 mV since the scope is 50Ω terminated.

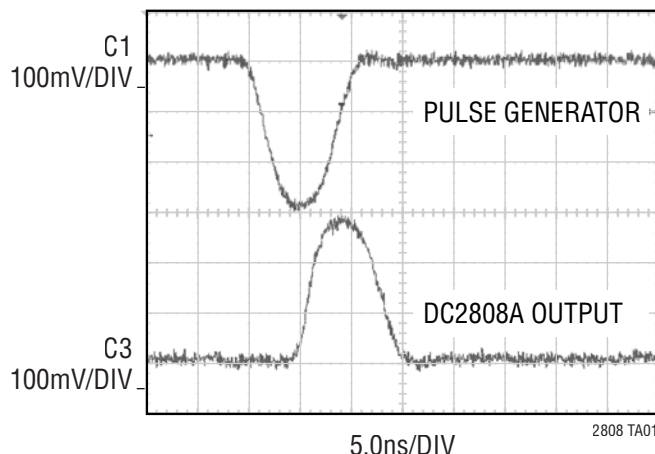


Figure 6. Scope Shoot of DC2808A

## EXTERNAL CONNECTIONS

### Connections:

**J1, J2, J3, J4:** IN1, IN2, IN3, IN4 – The LTC6561's IN1, IN2, IN3, and IN4 channels. The input stage is AC-coupled and then 50Ω terminated to allow for interfacing to voltage pulse generators.

**J7:** OUT - the analog output of the LTC6561.

**J8:** OUTTERM - the analog output of the LTC6561 with the internal 50Ω series resistor.

### Turrets:

**E1:**  $V_{CC}$  – LTC6561  $V_{CC}$  analog input. The  $V_{CCO}$  analog input is connected to this node when JP1 is in the  $V_{CC}$  position.

**E2:**  $V_{CCO}$  – LTC6561  $V_{CCO}$  analog input when JP1 is in the external (EXT) position.

**E3, E4:** GND – the DC2808A ground.

### Jumpers:

**JP1:**  $V_{CCO\_SEL}$  – selects the input for the LTC6561  $V_{CCO}$  to  $V_{CC}$  turret ( $V_{CC}$ ) or external (EXT) through the  $V_{CCO}$  turret.  $V_{CCO}$  is hardwired to  $V_{CC}$  by default.

**JP2:** CHSEL0 – The LTC6561 LSB for channel selection.

**JP3:** CHSEL1 – The LTC6561 MSB for channel selection.

**JP4:** O\_MUX – Enables (EN) or disables (DIS) the LTC6561 output. The output goes high impedance when the LTC6561 O\_MUX is disabled. The power of the LTC6561 will not be reduced in either mode.



## ESD Caution

**ESD (electrostatic discharge) sensitive device.** Charged devices and circuit boards can discharge without detection. Although this product features patented or proprietary protection circuitry, damage may occur on devices subjected to high energy ESD. Therefore, proper ESD precautions should be taken to avoid performance degradation or loss of functionality.

## Legal Terms and Conditions

By using the evaluation board discussed herein (together with any tools, components documentation or support materials, the "Evaluation Board"), you are agreeing to be bound by the terms and conditions set forth below ("Agreement") unless you have purchased the Evaluation Board, in which case the Analog Devices Standard Terms and Conditions of Sale shall govern. Do not use the Evaluation Board until you have read and agreed to the Agreement. Your use of the Evaluation Board shall signify your acceptance of the Agreement. This Agreement is made by and between you ("Customer") and Analog Devices, Inc. ("ADI"), with its principal place of business at One Technology Way, Norwood, MA 02062, USA. Subject to the terms and conditions of the Agreement, ADI hereby grants to Customer a free, limited, personal, temporary, non-exclusive, non-sublicensable, non-transferable license to use the Evaluation Board FOR EVALUATION PURPOSES ONLY. Customer understands and agrees that the Evaluation Board is provided for the sole and exclusive purpose referenced above, and agrees not to use the Evaluation Board for any other purpose. Furthermore, the license granted is expressly made subject to the following additional limitations: Customer shall not (i) rent, lease, display, sell, transfer, assign, sublicense, or distribute the Evaluation Board; and (ii) permit any Third Party to access the Evaluation Board. As used herein, the term "Third Party" includes any entity other than ADI, Customer, their employees, affiliates and in-house consultants. The Evaluation Board is NOT sold to Customer; all rights not expressly granted herein, including ownership of the Evaluation Board, are reserved by ADI. CONFIDENTIALITY. This Agreement and the Evaluation Board shall all be considered the confidential and proprietary information of ADI. Customer may not disclose or transfer any portion of the Evaluation Board to any other party for any reason. Upon discontinuation of use of the Evaluation Board or termination of this Agreement, Customer agrees to promptly return the Evaluation Board to ADI. ADDITIONAL RESTRICTIONS. Customer may not disassemble, decompile or reverse engineer chips on the Evaluation Board. Customer shall inform ADI of any occurred damages or any modifications or alterations it makes to the Evaluation Board, including but not limited to soldering or any other activity that affects the material content of the Evaluation Board. Modifications to the Evaluation Board must comply with applicable law, including but not limited to the RoHS Directive. TERMINATION. ADI may terminate this Agreement at any time upon giving written notice to Customer. Customer agrees to return to ADI the Evaluation Board at that time. LIMITATION OF LIABILITY. THE EVALUATION BOARD PROVIDED HEREUNDER IS PROVIDED "AS IS" AND ADI MAKES NO WARRANTIES OR REPRESENTATIONS OF ANY KIND WITH RESPECT TO IT. ADI SPECIFICALLY DISCLAIMS ANY REPRESENTATIONS, ENDORSEMENTS, GUARANTEES, OR WARRANTIES, EXPRESS OR IMPLIED, RELATED TO THE EVALUATION BOARD INCLUDING, BUT NOT LIMITED TO, THE IMPLIED WARRANTY OF MERCHANTABILITY, TITLE, FITNESS FOR A PARTICULAR PURPOSE OR NON-INFRINGEMENT OF INTELLECTUAL PROPERTY RIGHTS. IN NO EVENT WILL ADI AND ITS LICENSORS BE LIABLE FOR ANY INCIDENTAL, SPECIAL, INDIRECT, OR CONSEQUENTIAL DAMAGES RESULTING FROM CUSTOMER'S POSSESSION OR USE OF THE EVALUATION BOARD, INCLUDING BUT NOT LIMITED TO LOST PROFITS, DELAY COSTS, LABOR COSTS OR LOSS OF GOODWILL. ADI'S TOTAL LIABILITY FROM ANY AND ALL CAUSES SHALL BE LIMITED TO THE AMOUNT OF ONE HUNDRED US DOLLARS (\$100.00). EXPORT. Customer agrees that it will not directly or indirectly export the Evaluation Board to another country, and that it will comply with all applicable United States federal laws and regulations relating to exports. GOVERNING LAW. This Agreement shall be governed by and construed in accordance with the substantive laws of the Commonwealth of Massachusetts (excluding conflict of law rules). Any legal action regarding this Agreement will be heard in the state or federal courts having jurisdiction in Suffolk County, Massachusetts, and Customer hereby submits to the personal jurisdiction and venue of such courts. The United Nations Convention on Contracts for the International Sale of Goods shall not apply to this Agreement and is expressly disclaimed.

## Данный компонент на территории Российской Федерации

### Вы можете приобрести в компании MosChip.

Для оперативного оформления запроса Вам необходимо перейти по данной ссылке:

<http://moschip.ru/get-element>

Вы можете разместить у нас заказ для любого Вашего проекта, будь то серийное производство или разработка единичного прибора.

В нашем ассортименте представлены ведущие мировые производители активных и пассивных электронных компонентов.

Нашей специализацией является поставка электронной компонентной базы двойного назначения, продукции таких производителей как XILINX, Intel (ex.ALTERA), Vicor, Microchip, Texas Instruments, Analog Devices, Mini-Circuits, Amphenol, Glenair.

Сотрудничество с глобальными дистрибьюторами электронных компонентов, предоставляет возможность заказывать и получать с международных складов практически любой перечень компонентов в оптимальные для Вас сроки.

На всех этапах разработки и производства наши партнеры могут получить квалифицированную поддержку опытных инженеров.

Система менеджмента качества компании отвечает требованиям в соответствии с ГОСТ Р ИСО 9001, ГОСТ РВ 0015-002 и ЭС РД 009

### Офис по работе с юридическими лицами:

105318, г.Москва, ул.Щербаковская д.3, офис 1107, 1118, ДЦ «Щербаковский»

Телефон: +7 495 668-12-70 (многоканальный)

Факс: +7 495 668-12-70 (доб.304)

E-mail: [info@moschip.ru](mailto:info@moschip.ru)

Skype отдела продаж:

moschip.ru

moschip.ru\_4

moschip.ru\_6

moschip.ru\_9