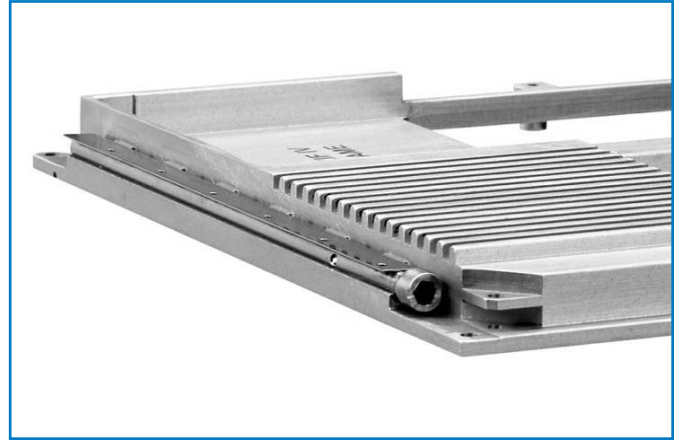


**iZIF™ HEAT FRAME**

**GENERAL DESCRIPTION**

The iZIF™ is a custom aluminum heat frame that integrates the PCB retainer for improved structural integrity and thermal efficiency (.8°C-in./W). The iZIF™ is a highly reliable patent-pending design for rugged military and aerospace circuit card applications. It features a quarter-turn lock, uniform clamping pressure, and can be sized to fit small daughter cards up to 9U VME. A bottom plate may also be added for additional cooling and structural integrity. The iZIF™ features a 1/8" stainless steel socket head cap rod with beryllium copper spring. A variety of finishes are available such as chemical film, black anodize, and electroless nickel.



**THERMAL LINKS**

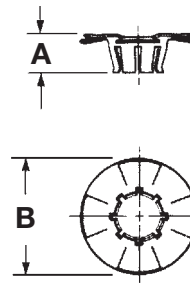
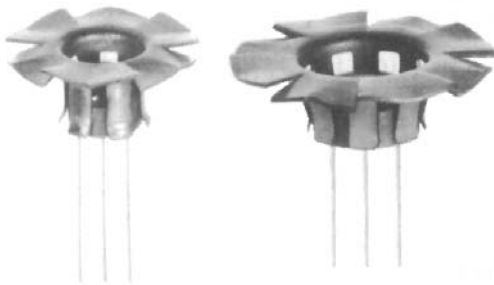
**GENERAL DESCRIPTION**

CTS's thermal links provide superior retention because of the 6 to 8-segment fingers versus the 2 or 3-segment fingers available from other manufacturers. These thermal links are offered for TO-5s, TO-8s and TO-18s with or without BeO washer and other appropriate hardware.

They provide an effective retainer and efficient thermal path between semiconductor and heat sinks or chassis.

There is excellent transistor retention under high vibration and shock loads. The thermal links can be inserted and removed multiple times without loss of retention or damage to the finish over the entire JEDEC case diameter range. They can be installed with a rivet or eyelet, soldered to a PC pad or heat sink, mounted with a single screw or with a threaded stud and hex nut.

**FAN TOP SERIES**



TXCF-032-025

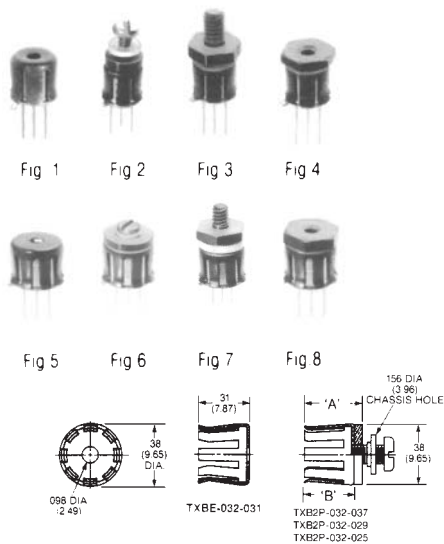
**Fan Tops**

| "A" Dim. | "B" Dim. | Semiconductor Case Type | *Ø °C/W | Part Number    |                |                | Material                   |
|----------|----------|-------------------------|---------|----------------|----------------|----------------|----------------------------|
|          |          |                         |         | Unplated       | Black Cadmium  | Black Chem.    |                            |
| .25      | .50      | TO-18                   | 150.0   | TXBF-019-025U  | TXBF-019-025B  | N.A.           | BeCu                       |
| .25      | .50      | TO-18                   | 150.0   | TXCF-019-025U  | N.A.           | TXCF-019-025CB | Brass                      |
| .25      | .75      | TO-5                    | 81.1    | TXBF-032-025U  | TXBF-032-025B  | N.A.           | BeCu                       |
| .25      | .75      | TO-5                    | 81.1    | TXCF-032-025U  | N.A.           | TXCF-032-025CB | Brass                      |
| .36      | 1.25     | TO-5                    | 57.7    | TXBF2-032-036U | TXBF2-032-036B | N.A.           | Brass Fan<br>BeCu Retainer |
| .33      | 1.25     | TO-8                    | 41.0    | TXBF2-050-033U | TXBF2-050-033B | N.A.           | Brass Fan<br>BeCu Retainer |
| .12      | 1.25     | TO-5                    | 56.6    | TXCF-125-1U    | TXCF-125-1CB   | N.A.           | Brass                      |
| .12      | 1.25     | TO-8                    | 56.6    | TXCF-125-2U    | TXCF-125-2B    | N.A.           | Brass                      |

\*Natural convection, case-ambient mounted on G10 board

## THERMAL LINKS FOR TO-5, TO-8 AND TO-18 TRANSISTORS

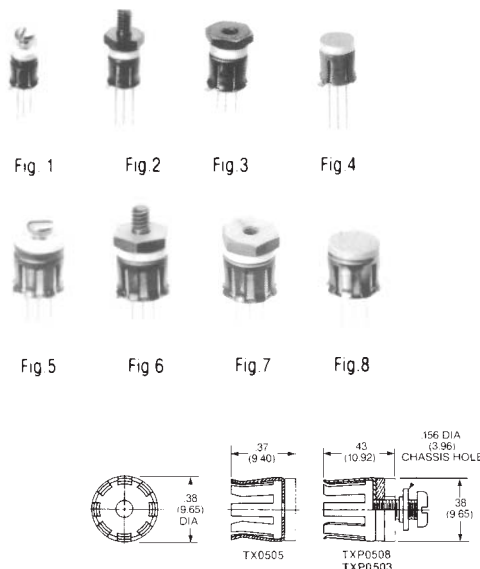
### Thermal Link Retainers Without BeO Insulators



| Fig. # | Semiconductor Case Type | Part Number          |                    | Mounting Method |
|--------|-------------------------|----------------------|--------------------|-----------------|
|        |                         | Black Cadmium Finish | Dull Nickel Finish |                 |
| 1      | TO-18                   | TXBE-019-021B        | TXBE-019-021ND     | Rivet/Solder    |
| 2      | TO-18                   | TXB2P-019-028B       | TXB2P-019-028ND    | 2-56 Screw      |
| 3      | TO-18                   | TX1807B              | TX1807ND           | 4-40 Stud       |
| 3      | TO-18                   | TX1807-1B            | TX1807-1ND         | 6-32 Stud       |
| 4      | TO-18                   | TX1847B              | TX1847ND           | 2-56 Hex Nut    |
| 5      | TO-5                    | TXBE-032-031B        | TXBE-032-031ND     | Rivet/Solder    |
| 6      | TO-5                    | TXB2P-032-037B       | TXB2P-032-037ND    | 4-40 Screw      |
| 7      | TO-5                    | TX0507-1B            | TX0507-1ND         | 6-32 Stud       |
| 7      | TO-5                    | TX0507-2B            | TX0507-2ND         | 10-32 Stud      |
| 8      | TO-5                    | TX0547B              | TX0547ND           | 14-40 Hex Nut   |

Dimensions are for reference use only. Contact CTS for dimensions with tolerances or standard part drawings.

### Thermal Link Retainers With BeO Insulators

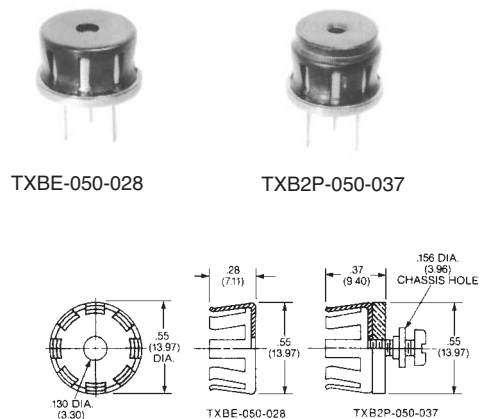


| Fig. # | Semiconductor Case Type | Part Number          |                    | Mounting Method |
|--------|-------------------------|----------------------|--------------------|-----------------|
|        |                         | Black Cadmium Finish | Dull Nickel Finish |                 |
| 1      | TO-18                   | TXP1803B             | TXP1803ND          | 2-56 Screw      |
| 1      | TO-18**                 | TXP1808B             | TXP1808ND          | 2-56 Screw      |
| 2      | TO-18                   | TX1806B              | TX1806ND           | 4-40 Stud       |
| 2      | TO-18                   | TX1806-1B            | TX1806-1ND         | 6-32 Stud       |
| 3      | TO-18                   | TX1822B              | TX1822ND           | 2-56 Hex Nut    |
| 4      | TO-18                   | —                    | TX1805-ND          | Solder          |
| 5      | TO-5                    | TXP0503B             | TXP0503ND          | 4-40 Screw      |
| 5      | TO-5**                  | TXP0508B             | TXP0508ND          | 4-40 Screw      |
| 6      | TO-5                    | TX0506-1B            | TX0506-1ND         | 6-32 Stud       |
| 6      | TO-5                    | TX0506-2B            | TX0506-2ND         | 10-32 Stud      |
| 7      | TO-5                    | TX0522B              | TX0522ND           | 4-40 Hex Nut    |
| 8      | TO-5                    | —                    | TX0505-ND          | Solder          |

\*\*BeO and thermal link are brazed together.

Dimensions are for reference use only. Contact CTS for dimensions with tolerances or standard part drawings.

## THERMAL LINKS FOR TO-8s

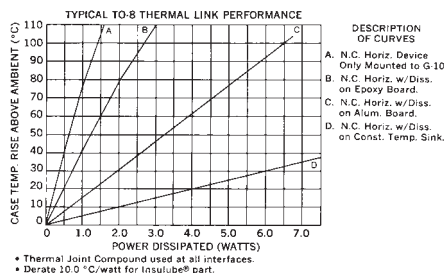


Dimensions are for reference use only. Contact CTS for dimensions with tolerances or standard part drawings.

### Thermal Link Retainers Without BeO Insulators

| Part Number          |                    | Mounting Method      | Max. Weight (Grams) | Case Diameter |
|----------------------|--------------------|----------------------|---------------------|---------------|
| Black Cadmium Finish | Dull Nickel Finish |                      |                     |               |
| TXBE-045-028B        | TXBE-045-028ND     | Solder, Epoxy, Rivet | 1.5                 | 0.455         |
| TXB2P-045-037B       | TXB2P-045-037ND    | 4-40 Screw           | 4.5                 | 0.455         |
| TXBE-050-028B        | TXBE-050-028ND     | Solder, Epoxy, Rivet | 1.5                 | 0.500         |
| TXB2P-050-037B       | TXB2P-050-037ND    | 4-40 Screw           | 4.5                 | 0.500         |
| TXBE-055-028B        | TXBE-055-028ND     | Solder, Epoxy, Rivet | 1.5                 | 0.550         |
| TXB2P-055-037B       | TXB2P-055-037ND    | 4-40 Screw           | 4.5                 | 0.550         |

Screw and shouldered nylon washer for .060 chassis included; If mounting hardware not desired, deleted "P" from part number.



## Данный компонент на территории Российской Федерации

### Вы можете приобрести в компании MosChip.

Для оперативного оформления запроса Вам необходимо перейти по данной ссылке:

<http://moschip.ru/get-element>

Вы можете разместить у нас заказ для любого Вашего проекта, будь то серийное производство или разработка единичного прибора.

В нашем ассортименте представлены ведущие мировые производители активных и пассивных электронных компонентов.

Нашей специализацией является поставка электронной компонентной базы двойного назначения, продукции таких производителей как XILINX, Intel (ex.ALTERA), Vicor, Microchip, Texas Instruments, Analog Devices, Mini-Circuits, Amphenol, Glenair.

Сотрудничество с глобальными дистрибьюторами электронных компонентов, предоставляет возможность заказывать и получать с международных складов практически любой перечень компонентов в оптимальные для Вас сроки.

На всех этапах разработки и производства наши партнеры могут получить квалифицированную поддержку опытных инженеров.

Система менеджмента качества компании отвечает требованиям в соответствии с ГОСТ Р ИСО 9001, ГОСТ РВ 0015-002 и ЭС РД 009

### Офис по работе с юридическими лицами:

105318, г.Москва, ул.Щербаковская д.3, офис 1107, 1118, ДЦ «Щербаковский»

Телефон: +7 495 668-12-70 (многоканальный)

Факс: +7 495 668-12-70 (доб.304)

E-mail: [info@moschip.ru](mailto:info@moschip.ru)

Skype отдела продаж:

moschip.ru

moschip.ru\_4

moschip.ru\_6

moschip.ru\_9