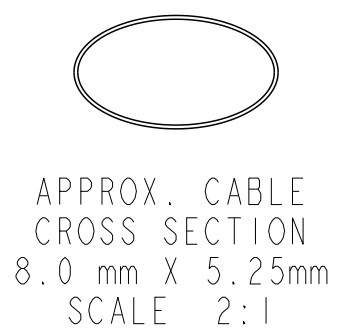
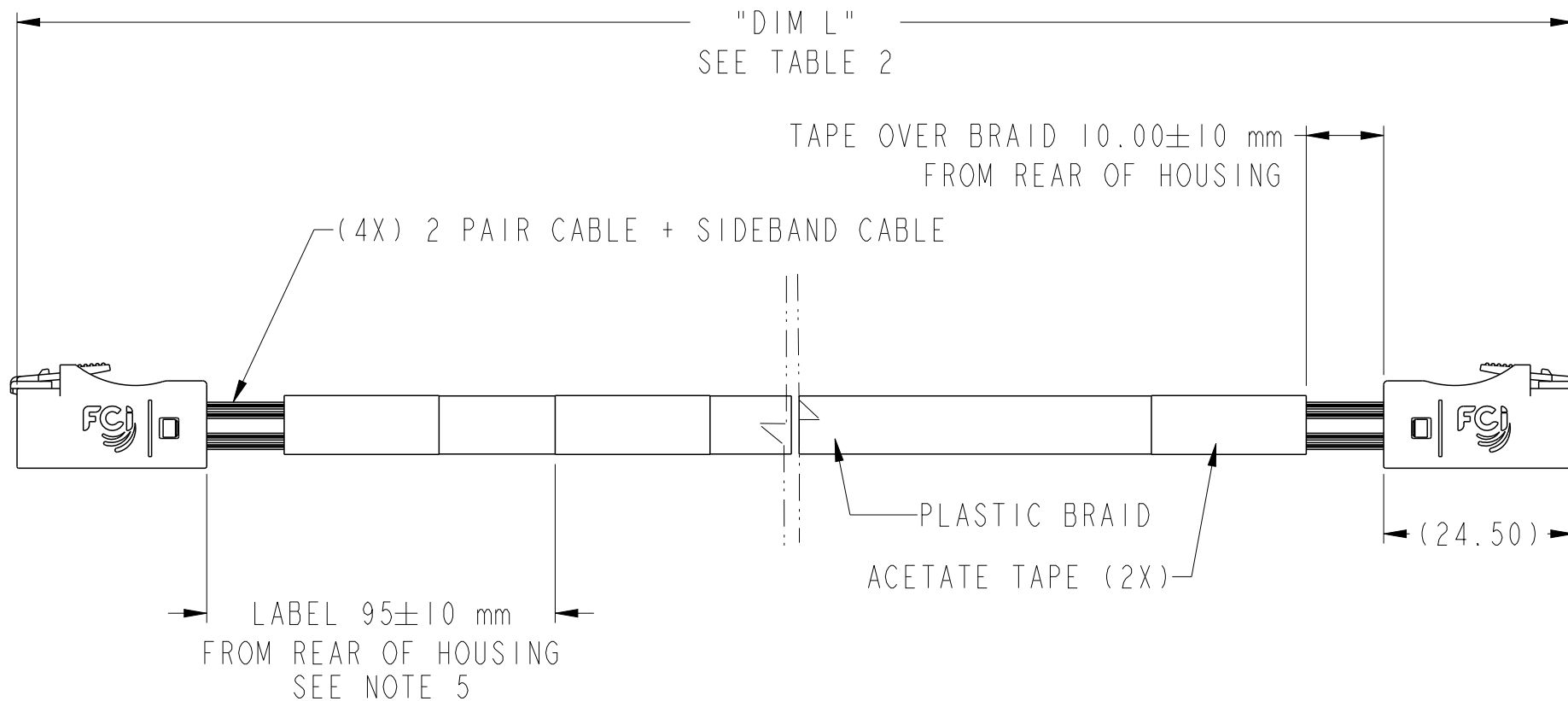
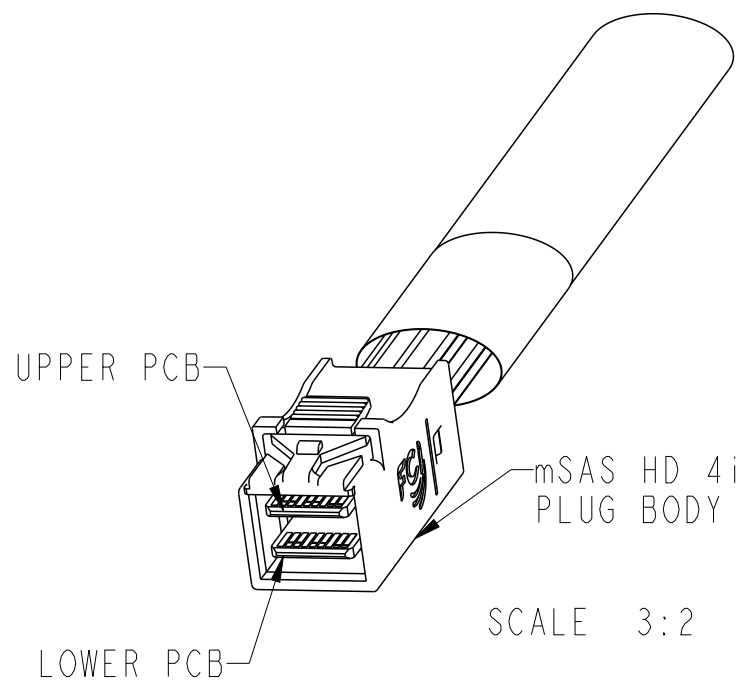


| FCI PART NUMBER | DESCRIPTION | NOTES |
|-----------------|--|-------------|
| 10120086-XXXXLF | CONTROLLER TO CONTROLLER CONFIGURATION | SEE TABLE 1 |



| | | | | | | | | | | | | |
|---------------------------------------|---------------------|---------|------------|------------|------------|--|--------------------|---------------|-------------|----------|------------------------|--------------|
| spec ref | - | dr | David Lord | 2012/02/16 | projection | mm | size | A3 | scale | 1:1 | | |
| tolerance std | ISO 406 ISO 1101 | eng | Andy Wu | 2013/01/31 | | | ecn no | ELX-N-13965-1 | rel level | Released | | |
| TOLERANCES UNLESS OTHERWISE SPECIFIED | | chr | - | app | | | | | | | Roger Cheng | 2013/02/01 |
| surface | ISO 1302 | linear | 0.X | ±0.3 | | title mSAS HD INTERNAL (4i) CABLE ASSEMBLY- 6 Gb/s | dwg no 10120086 | rev B | www.fci.com | | | |
| | | | 0.XX | ±0.10 | | | | | cat. no. | - | Product - Customer Drw | sheet 1 of 4 |
| | | angular | 0° | ±2° | | | | | PDS: Rev :B | | STATUS:Released | |

| FCI PART NUMBER | DESCRIPTION | NOTES |
|-----------------|--|-------------|
| 10120086-XXXXLF | CONTROLLER TO CONTROLLER CONFIGURATION | SEE TABLE 1 |

| TABLE 1 - CABLE PART NUMBER LIST | | | |
|----------------------------------|-------------------------------|-----|---|
| PART NUMBER | "DIM L" CABLE LENGTH (METERS) | AWG | NOTES |
| 10120086-2030LF | 0.3 | 30 | CONTROLLER TO CONTROLLER WIRING CONFIGURATION (SHEET 2) ----- (SEE SHEET 3 FOR ALL NOTES) |
| 10120086-2040LF | 0.4 | 30 | |
| 10120086-2050LF | 0.5 | 30 | |
| 10120086-2060LF | 0.6 | 30 | |
| 10120086-2070LF | 0.7 | 30 | |
| 10120086-2080LF | 0.8 | 30 | |
| 10120086-2090LF | 0.9 | 30 | |
| 10120086-2100LF | 1.0 | 30 | |

NOTE:

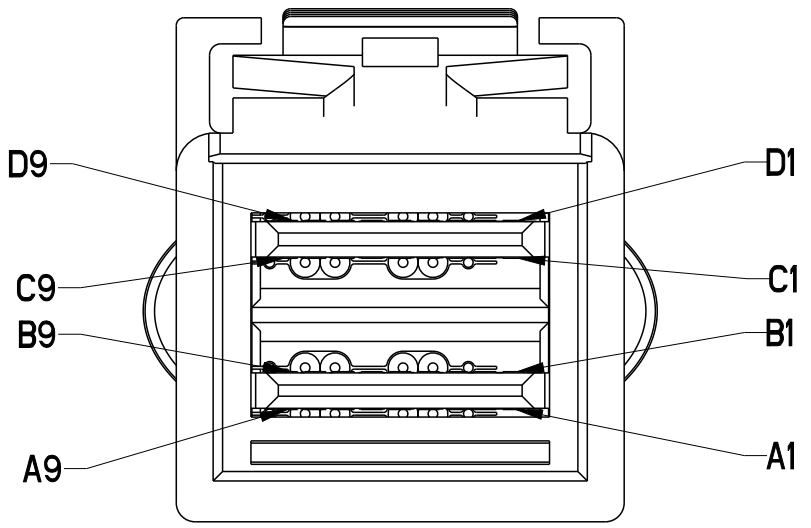
1. ALL CABLE PERFORMANCE COMPLIANCE SAS2.1
2. CABLE MORE THAN 1.0 METER COULD NOT MEET SAS2.1 INSERTION LOSS -6dB MAX.

| | | | | | | | | | | | | | | |
|---------------------------------------|---------------------|------|-------------|-------------|------------|---|----------------|---------------|-----------|----------|----------|---|------------------------|--------------|
| spec ref | - | dr | David Lord | 2012/02/16 | projection | mm | size | A3 | scale | 1:1 | | | | |
| tolerance std | ISO 406 ISO 1101 | eng | Andy Wu | 2013/01/31 | | ← → | ecn no | ELX-N-13965-1 | | | | | | |
| TOLERANCES UNLESS OTHERWISE SPECIFIED | | chr | - | - | | | product family | - | rel level | Released | | | | |
| surface | ✓ | appr | Roger Cheng | 2013/02/01 | | mSAS HD INTERNAL (4i) CABLE ASSEMBLY- 6 Gb/s | dwg no | 10120086C | rev | B | | | | |
| ISO 1302 | linear | 0.X | ±0.3 | www.fci.com | | | | | | | cat. no. | - | Product - Customer Drw | sheet 2 of 4 |
| | angular | 0° | ±2° | | | | | | | | | | | |



Copyright FCI.

| FCI PART NUMBER | DESCRIPTION | NOTES |
|-----------------|--|-------------|
| 10120086-XXXXLF | CONTROLLER TO CONTROLLER CONFIGURATION | SEE TABLE 1 |



SCALE 5:1

| LEGEND | |
|--------|--------------------------------------|
| | HIGH-SPEED SERIAL DIFFERENTIAL PAIRS |
| | SIGNAL RETURN |
| | SIDEBAND SIGNAL |

| WIRING LIST (CONTROLLER TO CONTROLLER) | | | | |
|--|------------|-------|---------------------|------------|
| END P1 (CONTROLLER) | | | END P2 (CONTROLLER) | |
| POSITION | SYMBOL | | POSITION | SYMBOL |
| D9 | GROUND | ----- | B9 | GROUND |
| D8 | Tx2- | | B8 | Rx2- |
| D7 | Tx2+ | | B7 | Rx2+ |
| D6 | GROUND | ----- | B6 | GROUND |
| D5 | Tx0- | | B5 | Rx0- |
| D4 | Tx0+ | | B4 | Rx0+ |
| D3 | GROUND | ----- | B3 | GROUND |
| D2 | SIDEBAND 6 | | B2 | SIDEBAND 1 |
| D1 | SIDEBAND 5 | | C2 | SIDEBAND 2 |
| C1 | SIDEBAND 4 | | B1 | SIDEBAND 3 |
| C2 | SIDEBAND 2 | | D1 | SIDEBAND 5 |
| C3 | GROUND | ----- | A3 | GROUND |
| C4 | Tx1+ | | A4 | Rx1+ |
| C5 | Tx1- | | A5 | Rx1- |
| C6 | GROUND | ----- | A6 | GROUND |
| C7 | Tx3+ | | A7 | Rx3+ |
| C8 | Tx3- | | A8 | Rx3- |
| C9 | GROUND | ----- | A9 | GROUND |
| B9 | GROUND | ----- | D9 | GROUND |
| B8 | Rx2- | | D8 | Tx2- |
| B7 | Rx2+ | | D7 | Tx2+ |
| B6 | GROUND | ----- | D6 | GROUND |
| B5 | Rx0- | | D5 | Tx0- |
| B4 | Rx0+ | | D4 | Tx0+ |
| B3 | GROUND | ----- | D3 | GROUND |
| B2 | SIDEBAND 1 | | D2 | SIDEBAND 6 |
| B1 | SIDEBAND 3 | | C1 | SIDEBAND 4 |
| A1 | SIDEBAND 7 | | A2 | SIDEBAND 0 |
| A2 | SIDEBAND 0 | | A1 | SIDEBAND 7 |
| A3 | GROUND | ----- | C3 | GROUND |
| A4 | Rx1+ | | C4 | Tx1+ |
| A5 | Rx1- | | C5 | Tx1- |
| A6 | GROUND | ----- | C6 | GROUND |
| A7 | Rx3+ | | C7 | Tx3+ |
| A8 | Rx3- | | C8 | Tx3- |
| A9 | GROUND | ----- | C9 | GROUND |

| | | | | | | | | | | | | | | |
|---------------------------------------|---------------------|---------|------------|------------|------------|---|--------|---------------|------------|----------------|---|-----------|------------------------|--------------|
| spec ref | - | dr | David Lord | 2012/02/16 | projection | mm | size | A3 | scale | 2:1 | | | | |
| tolerance std | ISO 406 ISO 1101 | eng | Andy Wu | 2013/01/31 | | | ecn no | ELX-N-13965-1 | | | | | | |
| TOLERANCES UNLESS OTHERWISE SPECIFIED | | chr | - | app | | | | Roger Cheng | 2013/02/01 | product family | - | rel level | Released | |
| surface | ISO 1302 | linear | 0.X | ±0.3 | | mSAS HD INTERNAL (4i) CABLE ASSEMBLY- 6 Gb/s | dwg no | 10120086 | | rev | B | | | |
| | | | 0.XX | ±0.10 | | | | www.fci.com | cat. no. | | | - | Product - Customer Drw | sheet 3 of 4 |
| | | angular | 0° | ±2° | | | | | | | | | | |

Copyright FCI.

| FCI PART NUMBER | DESCRIPTION | NOTES |
|-----------------|--|-------------|
| 10120086-XXXXLF | CONTROLLER TO CONTROLLER CONFIGURATION | SEE TABLE 1 |

NOTES:

- MATERIAL:
HOUSINGS: MODIFIED POLYPHENYLENE ETHER
PADDLE CARD: PRINTED CIRCUIT SUBSTRATE
HEAT SHRINK TUBE: POLYOLEFIN
EPOXY LOCTITE
- THIS PRODUCT MEETS THE RESTRICTION OF HAZARDOUS SUBSTANCES IN ELECTRICAL AND ELECTRONIC EQUIPMENT (RoHS) DIRECTIVE (2002/95/EC)
- THIS DIMENSION IS A FINISHED PRODUCT LENGTH.
- UNLESS OTHERWISE SPECIFIED ASSEMBLED LENGTH TOLERANCE IS TO BE:
"DIM L" < 1 METER = ±25mm
"DIM L" 1 METER TO 10 METERS = ± 2% OF "DIM L"
- UNLESS OTHERWISE SPECIFIED LABEL POSITION IS TO BE 95mm FROM REAR OF PI CONNECTOR.
LABEL DETAILS:
MANUFACTURER CODE OR NAME COUNTRY OF ORIGIN
CUSTOMER P/N OR FCI P/N
REVISION
DATE CODE (YYYY/MM/DD FORMAT) - SERIAL NUMBER

FONT SHALL BE CLEARLY VISIBLE AND BLACK IN COLOR.
- ALL CABLE ASSEMBLIES SHALL BE 100% TESTED FOR CONTINUITY AS DEFINED IN WIRING LIST.
- ALL CABLE ASSEMBLIES SHALL BE 100% HI-POT TESTED BY APPLYING 300V DC FOR A MINIMUM OF 10ms.
- IMPEDANCE: 100Ω DIFFERENTIAL.
- OTHER TESTING PERFORMED AS REQUIRED BY PRODUCT SPECIFICATION: GS-12-650.
- PACKAGE AND LABEL CABLE ASSEMBLIES PER GS-14-1272.
- A "△" SYMBOL WILL BE NEXT TO ANY DIMENSION, VIEW, OR NOTE WHICH HAS BEEN MODIFIED WITH THE CURRENT DRAWING REVISION. THE CURRENT REVISION WILL BE SHOWN IN THE SYMBOL.
- "HLF" PRODUCT NUMBERS DESIGNATE THE USE OF HALOGEN FREE RAW CABLE.
- HALOGEN FREE RAW CABLE CAN BE USED AS A SUBSTITUTE ON NON-HF PRODUCT NUMBERS.
- PART NUMBER/SUPPLIER SUBSTITUTION IS NOT ALLOWED.
- THIS PRODUCT CONFORMS TO THE MECHANICAL DIMENSIONING AND ELECTRICAL REQUIREMENTS OF THE SFF-8643 SPECIFICATION.
- THIS PRODUCT CONFORMS TO THE SAS 2.1 SPECIFICATION.



Copyright FCI.

| | | | | | | | | | | | | | |
|---------------|---------------------------------------|---------|-------------|------------|----------------|---|-----------|---------------|----------|-----|---|------------------------|--------------|
| spec ref | - | dr | David Lord | 2012/02/16 | projection | mm | size | A3 | scale | 2:1 | | | |
| tolerance std | ISO 406 ISO 1101 | eng | Andy Wu | 2013/01/31 | | ← → | ecn no | ELX-N-13965-1 | | | | | |
| | TOLERANCES UNLESS OTHERWISE SPECIFIED | chr | - | - | | | rel level | Released | | | | | |
| surface | ✓ | appr | Roger Cheng | 2013/02/01 | product family | - | rel level | Released | | | | | |
| | ISO 1302 | linear | 0.X | ±0.3 | | mSAS HD INTERNAL (4i) CABLE ASSEMBLY- 6 Gb/s | dwg no | 10120086 | | rev | B | | |
| | | | 0.XX | ±0.10 | | | | www.fci.com | cat. no. | | - | Product - Customer Drw | sheet 4 of 4 |
| | | angular | 0° | ±2° | | | | | | | | | |

Данный компонент на территории Российской Федерации

Вы можете приобрести в компании MosChip.

Для оперативного оформления запроса Вам необходимо перейти по данной ссылке:

<http://moschip.ru/get-element>

Вы можете разместить у нас заказ для любого Вашего проекта, будь то серийное производство или разработка единичного прибора.

В нашем ассортименте представлены ведущие мировые производители активных и пассивных электронных компонентов.

Нашей специализацией является поставка электронной компонентной базы двойного назначения, продукции таких производителей как XILINX, Intel (ex.ALTERA), Vicor, Microchip, Texas Instruments, Analog Devices, Mini-Circuits, Amphenol, Glenair.

Сотрудничество с глобальными дистрибьюторами электронных компонентов, предоставляет возможность заказывать и получать с международных складов практически любой перечень компонентов в оптимальные для Вас сроки.

На всех этапах разработки и производства наши партнеры могут получить квалифицированную поддержку опытных инженеров.

Система менеджмента качества компании отвечает требованиям в соответствии с ГОСТ Р ИСО 9001, ГОСТ РВ 0015-002 и ЭС РД 009

Офис по работе с юридическими лицами:

105318, г.Москва, ул.Щербаковская д.3, офис 1107, 1118, ДЦ «Щербаковский»

Телефон: +7 495 668-12-70 (многоканальный)

Факс: +7 495 668-12-70 (доб.304)

E-mail: info@moschip.ru

Skype отдела продаж:

moschip.ru

moschip.ru_4

moschip.ru_6

moschip.ru_9