

# LV88561, LV88562, LV88563, LV88564

## Motor Driver, Single-Phase, PWM, Full-Wave, 24 V/48 V BLDC Motor



ON Semiconductor®

[www.onsemi.com](http://www.onsemi.com)

### Overview

The LV88561JA/R, LV88562JA/R, LV88563JA/R and LV88564JA/R are the pre-driver for a single-phase 24 V/48 V BLDC motor, which have the closed loop controller for motor rotation speed. These are available to control a motor with low vibration and the low noise. In addition, lead-angle adjustment is possible by external pins. Lead-angle value and lead-angle slant can be adjusted independently. Thus, the device can be driven by high efficiency and low noise with various motors. Motor speed setting curve is adjustable with using external resistor only. As a method of the rotary speed control of the motor, direct-PWM pulse input is adopted.

### Features

- Single-phase Full Wave Drive Pre-driver Include Closed Loop Speed Control which is Fitting for High Voltage (24 V/48 V) Application
- Speed Control Function by PWM Duty Input (25 Hz to 100 kHz)
- Soft Start-up Function and PWM Soft Switching Phase Transition
- Soft PWM Duty Cycle Transitions
- Built-in Current Limit Circuit and Thermal Protection Circuit
- Built-in Locked Rotor Protection and Auto Recovery Circuit
- Dynamic Lead Angle Adjustment with Respect to Rotational Speed
- Lead-angle Control Parameters can be Configured
- Lineup of Different Closed Loop Gain Selection
- Lineup of Rotation Signal Output Selection
- These are Pb-Free and Halogen-Free Devices

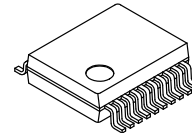
### Typical Applications

- PC & Computing Equipment
- Refrigerator
- Games

### LV88561, 562, 563, 564 COMPARISON TABLE

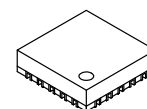
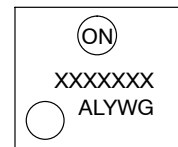
|             | Loop Gain | Rotation Signal |
|-------------|-----------|-----------------|
| LV88561JA/R | Normal    | FG              |
| LV88562JA/R | Normal    | RD              |
| LV88563JA/R | Low       | FG              |
| LV88564JA/R | Low       | RD              |

### MARKING DIAGRAMS



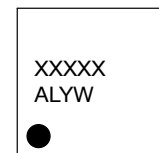
SSOP20J  
CASE 565AP

(LV88561JA, LV88562JA, LV88563JA, LV88564JA)



VCT20  
CASE 601AB

(LV88561R, LV88562R, LV88563R, LV88564R)



XX = Specific Device Code  
A = Assembly Site (OSPI Tarlac Site Code: MP)  
L = Wafer Lot Number  
YW = Assembly Start Week  
G = Pb-Free Package

### ORDERING INFORMATION

| Device   | Package                                | Shipping†             |
|--|--|-----------------------|
| LV88561JA-AH<br>LV88562JA-AH<br>LV88563JA-AH<br>LV88564JA-AH | SSOP20J<br>(Pb-Free /<br>Halogen Free) | 2000 /<br>Tape & Reel |
| LV88561RTXG<br>LV88562RTXG<br>LV88563RTXG<br>LV88564RTXG     | VCT20<br>(Pb-Free /<br>Halogen Free)   | 2000 /<br>Tape & Reel |

†For information on tape and reel specifications, including part orientation and tape sizes, please refer to our Tape and Reel Packaging Specification Brochure, BRD8011/D.

BLOCK DIAGRAM

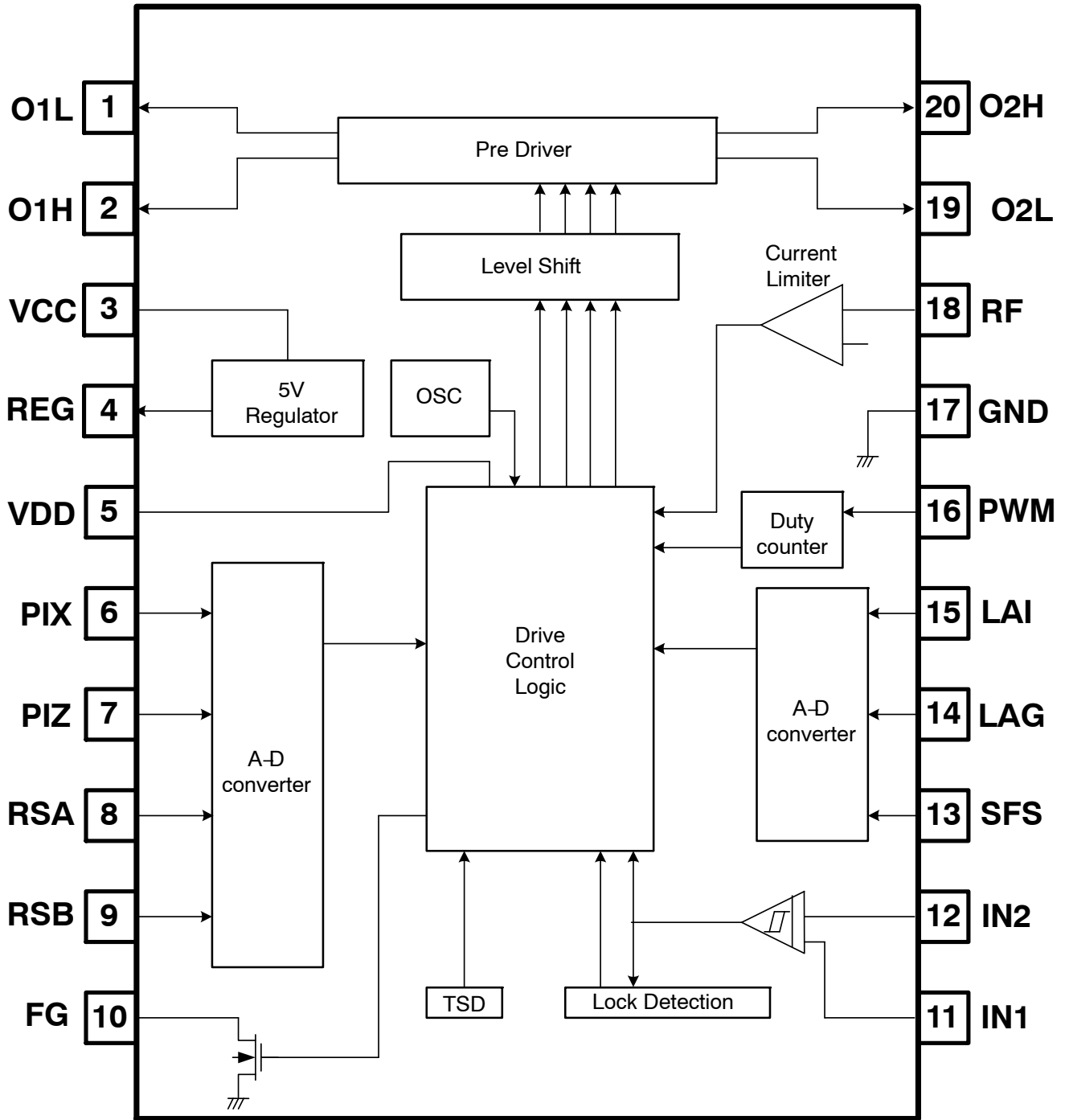


Figure 1. LV88561JA, LV88562JA, LV88563JA, LV88564JA Block Diagram

# LV88561, LV88562, LV88563, LV88564

## APPLICATION CIRCUIT DIAGRAM

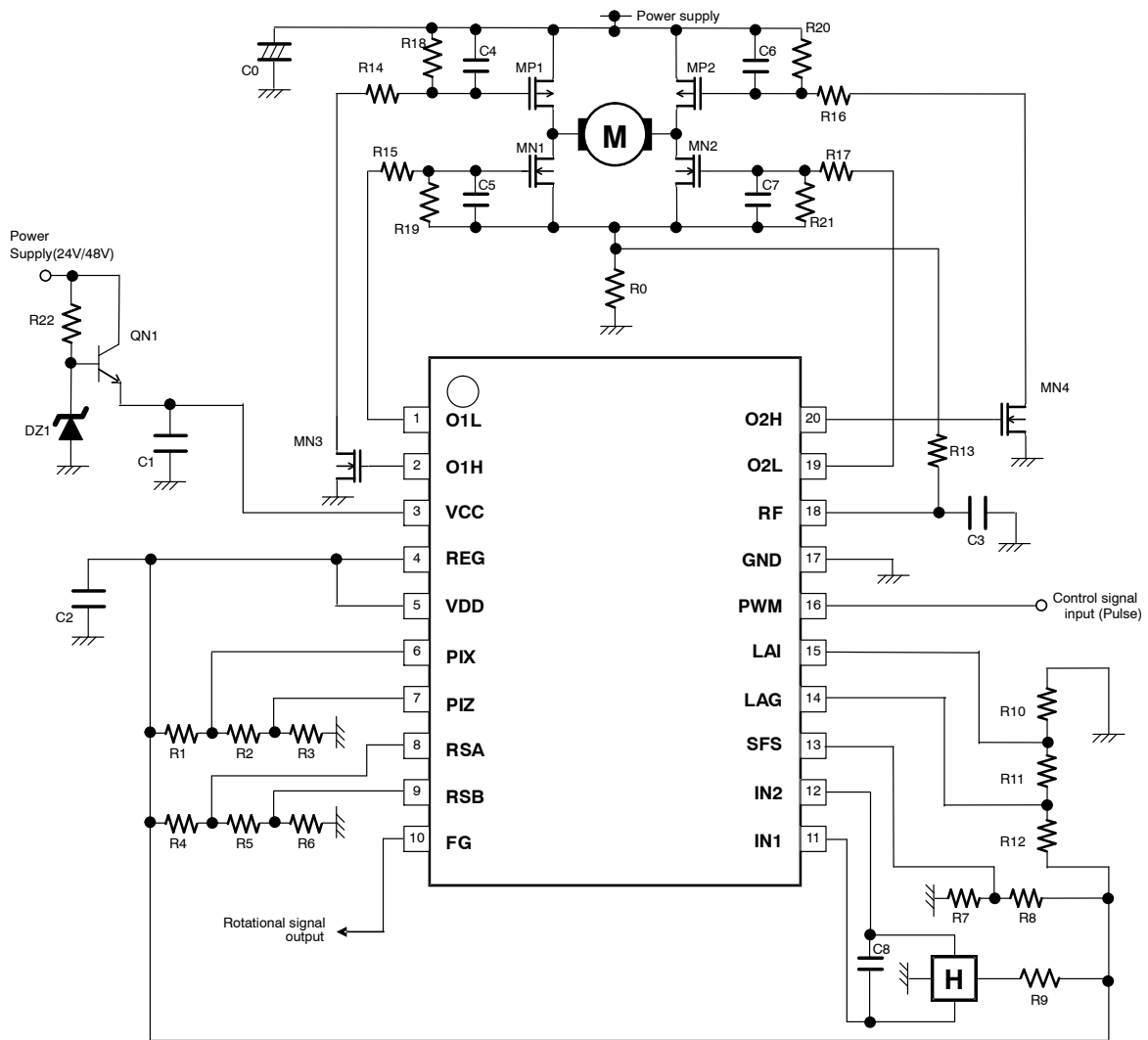


Figure 2. Single-phase BLDC Motor Drive with LV88561JA, LV88562JA, LV88563JA, LV88564JA

# LV88561, LV88562, LV88563, LV88564

**Table 1. EXAMPLE COMPONENT VALUE**

| Device  | Value                 | Device | Value         |
|---------|-----------------------|--------|---------------|
| MP1+MN1 | FW389                 | R14    | 100 Ω         |
| MP2+MN2 | FW389                 | R15    | 100 Ω         |
| MN3,4   | MCH3486               | R16    | 100 Ω         |
| QN1     | NMBTA05LT1G           | R17    | 100 Ω         |
| DZ1     | MM3Z12VT1G(12V Zener) | R18    | *             |
|         |                       | R19    | *             |
| R0      | 0.051 Ω // 0.051 Ω    | R20    | *             |
| R1      | 0 to 50 kΩ            | R21    | *             |
| R2      | 0 to 50 kΩ            | R22    | 5.1 kΩ        |
| R3      | 0 to 50 kΩ            |        |               |
| R4      | 0 to 50 kΩ            |        |               |
| R5      | 0 to 50 kΩ            | C0     | 4.7 μF –10 uF |
| R6      | 0 to 50 kΩ            | C1     | 0.1 μF – 1 μF |
| R7      | 0 to 50 kΩ            | C2     | 0.1 μF – 1 μF |
| R8      | 0 to 50 kΩ            | C3     | **            |
| R9      | 2.2 kΩ                | C4     | 0 to 1500 pF  |
| R10     | 0 to 50 kΩ            | C5     | 0 to 1500 pF  |
| R11     | 0 to 50 kΩ            | C6     | 0 to 1500 pF  |
| R12     | 0 to 50 kΩ            | C7     | 0 to 1500 pF  |
| R13     | 0 Ω                   | C8     | 0 to 0.1 μF   |

\*Depend on the user circuit, MP1, MP2, MN1 and MN2.

\*\*Depends on the user environment.

**Table 2. TRUTH TABLE**

| Operating State              | IN1 | IN2 | Inner-PWM State* | O1H | O1L | O2H | O2L | FG  |
|------------------------------|-----|-----|------------------|-----|-----|-----|-----|-----|
| Rotation – drive mode        | L   | H   | On               | L   | H   | H   | L   | OFF |
|                              | H   | L   |                  | H   | L   | L   | H   | L   |
| Rotation – regeneration mode | L   | H   | Off              | L   | L   | H   | L   | OFF |
|                              | H   | L   |                  | H   | L   | L   | L   | L   |
| Lock protector               | L   | H   | -                | L   | L   | L   | L   | OFF |
|                              | H   | L   |                  | L   | L   | L   | L   | L   |

\*Inner PWM state means the OUTPUT active period decided by inner control logic. Don't match with PWM-pin input signal.

LV88561, LV88562, LV88563, LV88564

PIN ASSIGNMENT

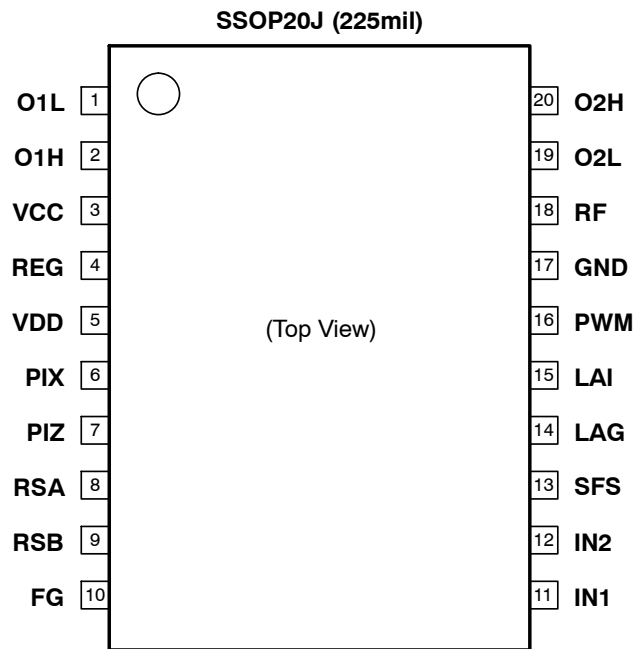


Figure 3. LV88561JA, LV88562JA, LV88563JA, LV88564JA Pin Assignment

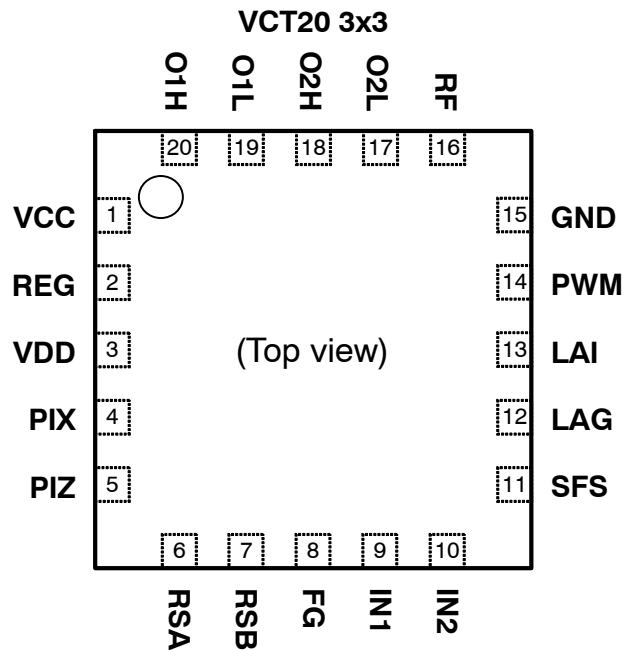


Figure 4. LV88561R, LV88562R, LV88563R, LV88564R Pin Assignment

## LV88561, LV88562, LV88563, LV88564

**Table 3. PIN FUNCTION DESCRIPTION (Pin No. – SSOP20J version)**

| Pin No.  | Pin name   | Function  |
|----------|------------|---|
| 1<br>19  | O1L<br>O2L | Output pins of the low-side gate-drive signal.<br>(See "Truth Table" on page 4 for the polarity)  |
| 2<br>20  | O1H<br>O2H | Output pins of the high-side gate-drive signal.<br>(See "Truth Table" on page 4 for the polarity)   |
| 3        | VCC        | Power supply pin.<br>The input voltage to this pin must be stabilized without the influence of the noise, ripple, and etc.<br>Therefore, it is necessary to connect the capacitor near VCC pin and GND pin as much as possible.           |
| 4        | REG        | Output pin of the regulated voltage (5.0 V).<br>It is necessary to connect the capacitor near this pin and GND pin for stabilizing this regulated voltage.  |
| 5        | VDD        | Logic circuit power supply pin.<br>This pin should be shorted to REG pin.   |
| 6<br>7   | PIX<br>PIZ | PWM input duty adjust pins at the point of maximum or minimum rotation speed.   |
| 8<br>9   | RSA<br>RSB | Maximum or minimum rotation speed adjust pins.  |
| 10       | FG         | Output pin of the rotational signal.<br>For LV88561 and LV88563, it functions as FG (Frequency Generator) and for LV88562 and LV88564, it functions as RD (Rotation Detection). This pin should be opened (disconnected) when not in use. |
| 11<br>12 | IN1<br>IN2 | Hall signal input pins.   |
| 13       | SFS        | Soft start adjust pin.  |
| 14       | LAG        | Lead angle gradient adjust pin.   |
| 15       | LAI        | Initial lead angle adjust pin in minimum rotation speed.  |
| 16       | PWM        | PWM input pin of the speed control signal as the rectangular wave.  |
| 17       | GND        | GND pin.  |
| 18       | RF         | Output current detect pin.<br>When the voltage level at this pin exceeds the internal set detection level, outputs turn to the regenerating mode.   |

# LV88561, LV88562, LV88563, LV88564

**Table 4. MAXIMUM RATINGS**

| Parameter  | Symbol               | Conditions   | Ratings     | Unit |
|--|----------------------|--|-------------|------|
| Maximum supply voltage   | VCC <sub>max</sub>   | VCC pin  | 20          | V    |
| Maximum output voltage   | VOUT <sub>max</sub>  | O1H/O1L/<br>O2H/O2L pin                            | 20          | V    |
| Maximum output current   | IOUT <sub>max</sub>  | O1H/O1L/<br>O2H/O2L pin                            | 50          | mA   |
| Maximum output peak current (Note 1)                               | IOUT <sub>peak</sub> | O1H/O1L/<br>O2H/O2L pin                            | 150         | mA   |
| REG pin maximum output current                                     | I <sub>REGmax</sub>  | REG pin  | 20          | mA   |
| RSA/RSB/PIX/PIZ/LAI/LAG/SFS/IN1/IN2/RF pin maximum input voltage   | V <sub>IN max</sub>  | RSA/RSB/PIX/<br>PIZ/LAI/LAG/IN1/<br>IN2/SFS/RF pin | 5.5         | V    |
| PWM pin maximum input voltage                                      | V <sub>PWMmax</sub>  | PWM pin  | 5.5         | V    |
| FG pin withstanding voltage  | V <sub>FGmax</sub>   | FG pin   | 20          | V    |
| FG pin maximum output current                                      | I <sub>FGmax</sub>   | FG pin   | 10          | mA   |
| Allowable power dissipation (Note 2)                               | P <sub>dmax</sub>    | LV8856xJA  | 0.8         | W    |
| Allowable power dissipation (Note 3)                               | P <sub>dmax</sub>    | LV8856xR   | 1.0         | W    |
| Operating temperature  | T <sub>opr</sub>     |  | -40 to +105 | °C   |
| Storage temperature  | T <sub>stg</sub>     |  | -55 to +150 | °C   |
| Maximum junction temperature                                       | T <sub>jmax</sub>    |  | 150         | °C   |
| Moisture Sensitivity Level (MSL) (Note 4)                          | MSL                  | LV8856xJA  | 3           | -    |
| Moisture Sensitivity Level (MSL) (Note 4)                          | MSL                  | LV8856xR   | 1           | -    |
| Lead Temperature Soldering Pb-Free Versions (30s or less) (Note 5) | T <sub>SLD</sub>     |  | 255         | °C   |
| ESD Human body Model : HBM (Note 6)                                | ESD <sub>HBM</sub>   |  | ±2000       | V    |

Stresses exceeding those listed in the Maximum Ratings table may damage the device. If any of these limits are exceeded, device functionality should not be assumed, damage may occur and reliability may be affected.

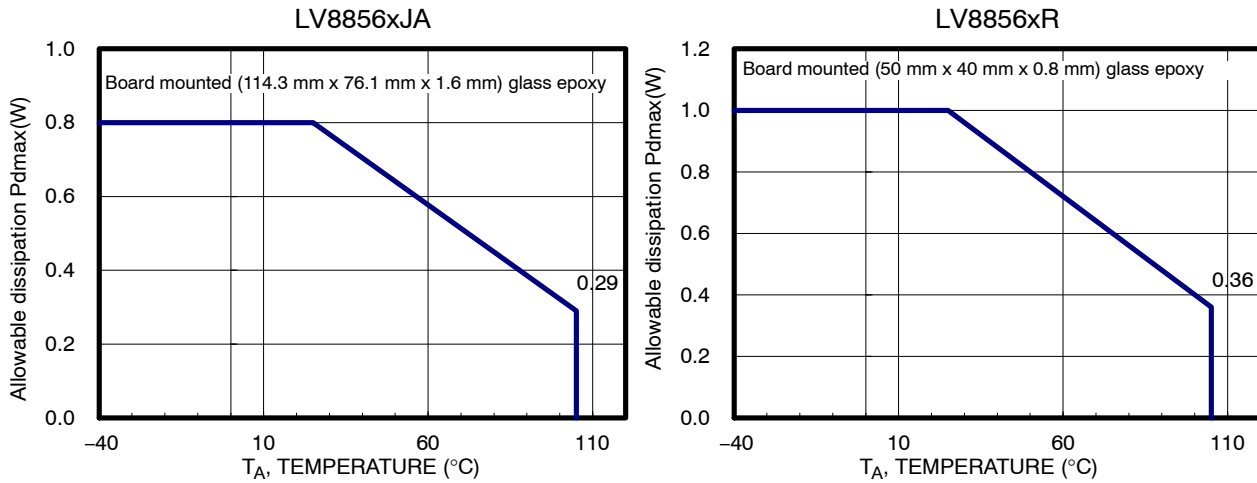
1. IOUT<sub>peak</sub> is the peak value of the motor supply current with duty\_cycle < 5%.
2. Specified circuit board : 114.3 mm x 76.1 mm x 1.6 mm, glass epoxy single layer board. It has 1 oz internal power and ground planes and 1/2 oz copper traces. Please refer to Thermal Test Conditions on page 23.
3. Specified circuit board : 50.0 mm x 40.0 mm x 0.8 mm, glass epoxy 4-layer board. It has 1 oz internal power and ground planes and 1/2 oz copper traces on top and bottom of the board. Please refer to Thermal Test Conditions on page 23.
4. Moisture Sensitivity Level (MSL): IPC/JEDEC standard: J-STD-020A
5. For information, please refer to our Soldering and Mounting Techniques Reference Manual, SOLDERRM/D [http://www.onsemi.com/pub\\_link/Collateral/SOLDERRM-D.PDF](http://www.onsemi.com/pub_link/Collateral/SOLDERRM-D.PDF)
6. ESD Human Body Model is based on JEDEC standard: JESD22-A114

**Table 5. THERMAL CHARACTERISTICS**

| Parameter  | Symbol           | Value | Unit |
|--|------------------|-------|------|
| Thermal Resistance, Junction-to-Ambient (Note 7) LV8856xJA | R <sub>θJA</sub> | 156   | °C/W |
| Thermal Resistance, Junction-to-Ambient (Note 8) LV8856xR  | R <sub>θJA</sub> | 125   | °C/W |

7. Specified circuit board : 114.3 mm x 76.1 mm x 1.6 mm, glass epoxy single layer board. It has 1 oz internal power and ground planes and 1/2 oz copper traces on top and bottom of the board. Please refer to Thermal Test Conditions on page 23.
8. Specified circuit board : 50.0 mm x 40.0 mm x 0.8 mm, glass epoxy 4-layer board. It has 1 oz internal power and ground planes and 1/2 oz copper traces on top and bottom of the board. Please refer to Thermal Test Conditions on page 23.

# LV88561, LV88562, LV88563, LV88564



**Figure 5. Power Dissipation vs Ambient Temperature Characteristic**

**Table 6. RECOMMENDED OPERATING RANGES** (Note 9)

| Parameter                                     | Symbol             | Conditions                          | Ratings          | Unit |
|---|--------------------|-------------------------------------|------------------|------|
| VCC supply voltage                            | VCC <sub>typ</sub> | VCC pin                             | 12               | V    |
| VCC operating supply voltage range1           | VCC <sub>op1</sub> | VCC pin                             | 6.0 to 16        | V    |
| VCC operating supply voltage range2 (Note 10) | VCC <sub>op2</sub> | VCC pin                             | 3.9 to 6.0       | V    |
| PWM input frequency range                     | F <sub>pwm</sub>   | PWM pin                             | 25 to 100k       | Hz   |
| PWM minimum input low/high pulse width        | T <sub>wpwm</sub>  | PWM pin                             | 100              | ns   |
| IN1 input voltage range                       | V <sub>in1</sub>   | IN1 pin                             | 0 to VREG        | V    |
| IN2 input voltage range                       | V <sub>in2</sub>   | IN2 pin                             | 0.3 to 0.55*VREG | V    |
| Control input voltage range                   | V <sub>cnth</sub>  | RSA/RSB/PIX/<br>PIZ/LAI/LAG/SFS pin | 0 to VREG        | V    |

9. Functional operation above the stresses listed in the Recommended Operating Ranges is not implied. Extended exposure to stresses beyond the Recommended Operating Ranges limits may affect device reliability.

10. When the VCC voltage below 6.0 V, motor rotation function keep to normally until to 3.9 V. But there are possibility that the ELECTRICAL CHARACTERISTICS is varied.



# LV88561, LV88562, LV88563, LV88564

**Table 7. ELECTRICAL CHARACTERISTICS** at TA = 25°C, VCC<sub>OP</sub> = 12 V unless otherwise noted. (Note 11)

| Parameter  | Symbol             | Conditions                                    | Ratings |      |      | Unit |
|--|--------------------|---|---------|------|------|------|
|  |                    |   | Min     | Typ  | Max  |      |
| Circuit current  | ICC                |   |         | 9    | 16   | mA   |
| O1H/O1L/O2H/O2L High-side on-resistance                                  | ROHon              | IO = 10 mA                                    |         | 30   | 80   | Ω    |
| O1H/O1L/O2H/O2L Low-side on-resistance                                   | ROLon              | IO = 10 mA                                    |         | 30   | 80   | Ω    |
| O1H/O1L/O2H/O2L PWM output frequency                                     | fpwmo              |   | 45.6    | 48   | 50.4 | kHz  |
| PWM pin low level input voltage  | Vpwml              |   | 0       |      | 0.7  | V    |
| PWM pin high level input voltage   | Vpwmh              |   | 2.8     |      | 5.5  | V    |
| PWM input resolution   | Δpwm               |   |         | 8    |      | Bit  |
| FG pin low level output voltage  | Vfgl               | IFG = 5 mA                                    |         | 0.2  | 0.3  | V    |
| FG pin leak current  | Ifglk              | VCC = 16 V<br>VFG = 16 V                      |         |      | 1    | μA   |
| REG pin output voltage   | VREG               |   | 4.7     | 5.0  | 5.3  | V    |
| Lock-detection time1 (Note 12)   | Tld1               | Under rotation                                | 0.27    | 0.3  | 0.33 | S    |
| Lock-detection time2 (Note 13)   | Tld2               | Start-up                                      | 0.63    | 0.7  | 0.77 | S    |
| Lock-Stop release time1 from 1 <sup>st</sup> to 4 <sup>th</sup> off time | Tlroff1            |   | 3.1     | 3.5  | 3.9  | S    |
| Lock-Restart on time   | Tlron              |   | 0.63    | 0.7  | 0.77 | S    |
| Lock-Restart time ratio1   | Rlr1               | Tlroff1/Tlron                                 |         | 5    |      | -    |
| Lock-Stop release time2(Note 14) as from 5 <sup>th</sup> off time        | Tlroff2            |   | 12.5    | 14   | 15.5 | S    |
| Lock-Restart time ratio2(Note 14) as from 5 <sup>th</sup> off time       | Rlr2               | Tlroff2/Tlron                                 |         | 20   |      | -    |
| Thermal protection detection temperature                                 | Tthp               | (Design target)                               | 150     | 180  |      | °C   |
| Thermal protection detection hysteresis                                  | ΔTthp              | (Design target)                               |         | 40   |      | °C   |
| Current limit detection voltage  | VTHCLM             | RF-GND  | 0.09    | 0.10 | 0.11 | V    |
| REG pin output voltage load regulation                                   | ΔVregld            | I <sub>REG</sub> = -10 mA                     |         | 20   | 50   | mV   |
| Hall input bias current  | I <sub>hin</sub>   | IN1, IN2 = 0 V                                |         | 0    | 1    | μA   |
| Hall input sensitivity   | ΔV <sub>hin</sub>  |   | 40      |      |      | mV   |
| Control input bias current   | I <sub>ctlin</sub> | PIX, PIZ, RSA,<br>RSB, SFS, LAG,<br>LAI = 0 V |         | 0    | 1    | μA   |
| PWM input bias current   | I <sub>pwm</sub>   | VDD = 5.5 V,<br>PWM = 0 V                     | 14      | 28   | 42   | μA   |
| UVLO detection voltage   | V <sub>uvdet</sub> | VCC voltage                                   | 3.1     | 3.4  | 3.6  | V    |
| UVLO release voltage   | V <sub>uvrls</sub> | VCC voltage                                   | 3.3     | 3.6  | 3.9  | V    |
| UVLO hysteresis voltage  | ΔV <sub>uv</sub>   |   | 0.1     | 0.2  | 0.4  | V    |

11. Product parametric performance is indicated in the Electrical Characteristics for the listed test conditions, unless otherwise noted. Product performance may not be indicated by the Electrical Characteristics if operated under different conditions.

12. When the motor rotate state and the motor rotation speed reach to below 50 rpm (phase change period over 0.3s), lock protection function will activate.

13. At the motor start-up timing, the motor can't rotate until 0.7s, lock protection function work.

14. When the locked rotor state is continued for a long time, lock stop period will change from 5<sup>th</sup> off time.

TYPICAL CHARACTERISTICS

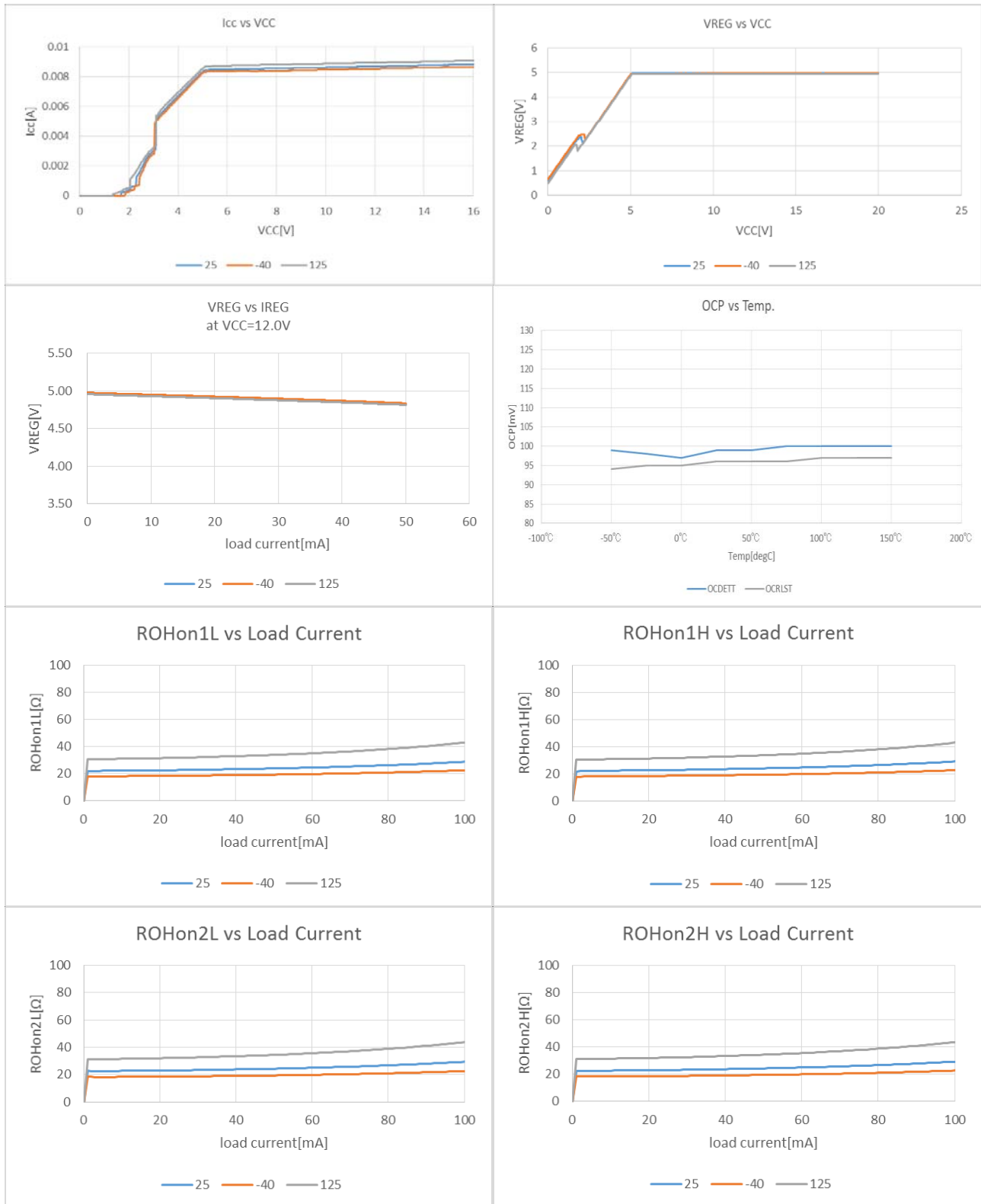


Figure 6. Typical Characteristics

EQUIVALENT CIRCUIT

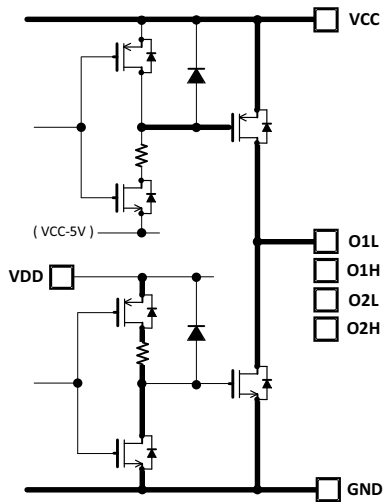


Figure 7. O1L, O1H, O2L and O2H Equivalent Circuit

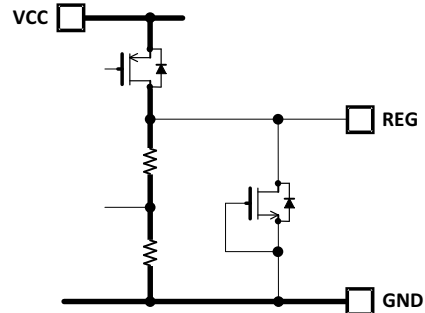


Figure 8. REG Equivalent Circuit

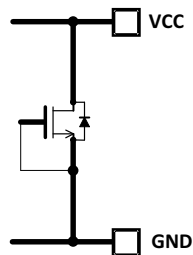


Figure 9. VCC Equivalent Circuit

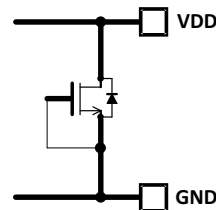


Figure 10. VDD Equivalent Circuit

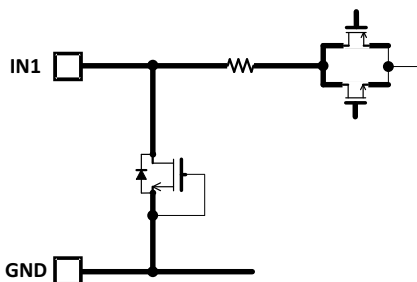


Figure 11. IN1, IN2 Equivalent Circuit

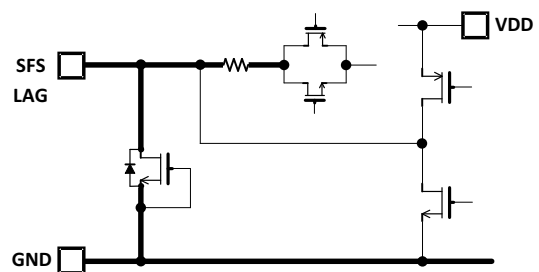


Figure 12. SFS, LAG Equivalent Circuit

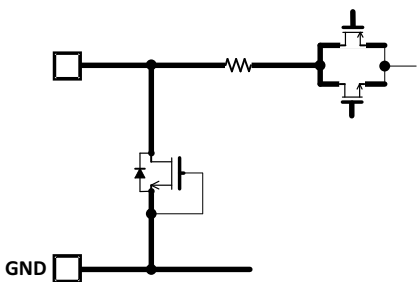


Figure 13. LAI Equivalent Circuit

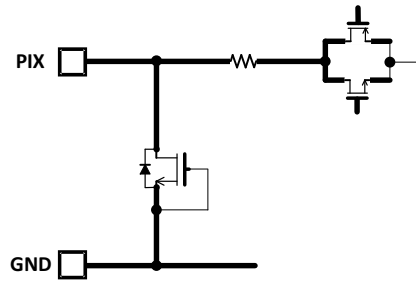


Figure 14. PIX, PIZ Equivalent Circuit

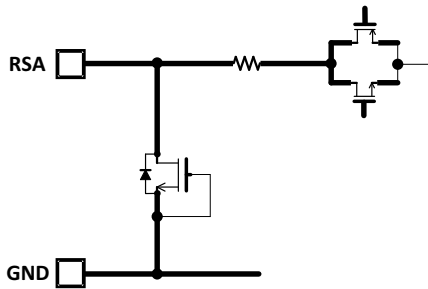


Figure 15. RSA, RSB Equivalent Circuit

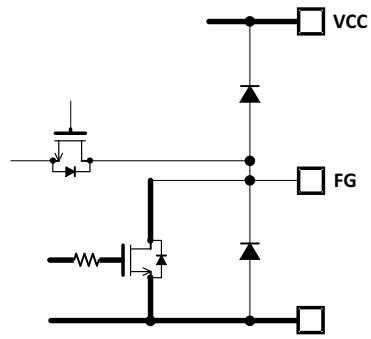


Figure 16. FG Equivalent Circuit

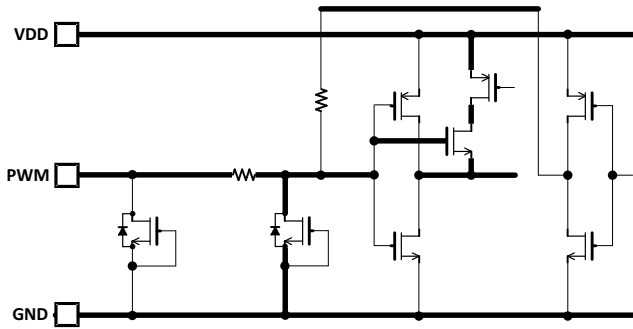


Figure 17. PWM Equivalent Circuit

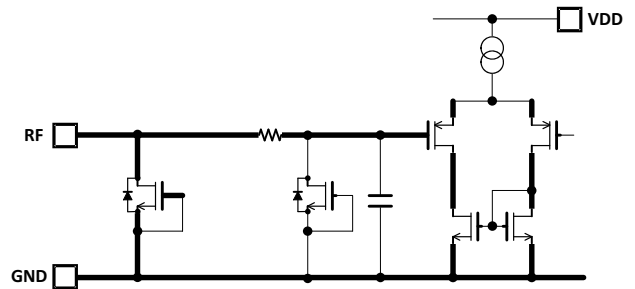


Figure 18. RF Equivalent Circuit

STATE DIAGRAM

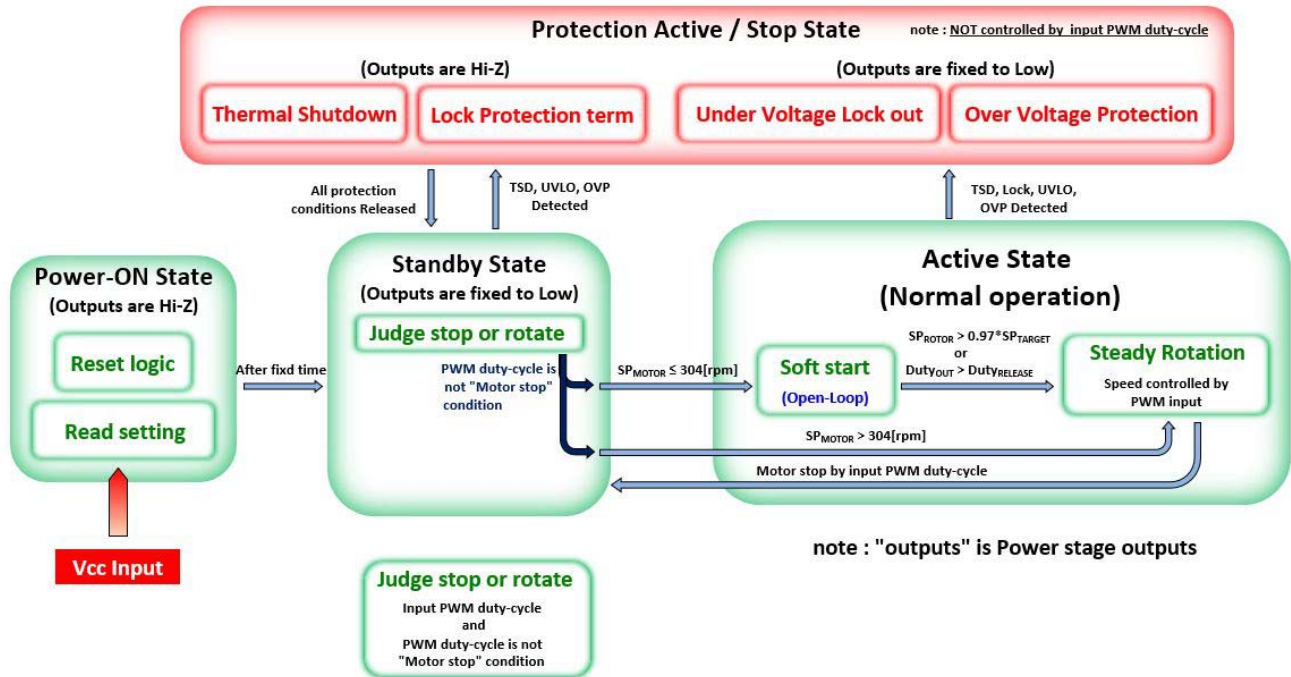


Figure 19. State Diagram

**FUNCTIONAL DESCRIPTION****Loop Gain**

Motor speed loop gain of LV88563 and LV88564 is lower than that of LV88561 and LV88562. If the motor coil current generate large overshoot during motor speed transition, LV88563 and LV88564 can reduce the overshooting current but the motor rotation response speed will decrease. LV88561 and LV88562 are recommended if faster response speed is required.

**Current Sense Resistor Pin (RF)**

RF is current sense input terminal.

Voltage across the sense resistor represents the motor current and is compared against the internal  $V_{TH_{OVC}}$  (0.10 Vtyp.) for setting the over-current limiter (CLM).

**VCC and GND Pin (VCC ,GND)**

Since Power FET side ground line has to tolerate surge of current, separate it from the GND pin as far away as possible and connect it point-to-point to the ground side of the capacitor (C0) between VCC and GND.

**Internal 5.0 V Voltage Regulator Pin (REG, VDD)**

REG is internal 5.0 V voltage regulator.

VDD is power supply for internal logic, oscillator, and protection circuits. Please connect REG and VDD.

When PIX, PIZ, RSA, RSB, LAI, LAG and SFS are used, it is recommended that application circuits are made using this output. The maximum load current of REG is 20 mA. Don't exceed this value. Place capacity from 0.1  $\mu$ F to 1.0  $\mu$ F in the close this pin.

**Rotational Signal Pin (FG)**

This is an open drain output pin which outputs the rotational signal. In case of LV88561 and LV88563, FG signal will come out from this pin and its frequency will represent electrical speed of a motor.

In case of LV88562 and LV88564, RD signal will come out from this pin. See page 21 "Lock detection and Lock protection" for more information about the RD signal.

Recommended pull up resistor value is 1 k $\Omega$  to 100 k $\Omega$ . Leave the pin open when not in use.

**Output Pins for External FET Control (O1H , O1L , O2H, O2L)**

These pins are output for external MOSFET. O1H and O2H connect to upper side P-ch FET's gate-line. O1L and O2L connect to lower side N-ch FET's gate line.

**Hall-Sensor Input Pins (IN1, IN2)**

Differential output signals of the hall sensor are to be interfaced at IN1 and IN2. It is recommended that 0.01  $\mu$ F capacitor is connected between both pins to filter system noise.

When a Hall IC is used, the output of the Hall IC must be connected to the pin IN1. And, the pin IN2 must be kept in the middle level of the Hall IC power supply voltage.

**Command Input (PWM)**

This pin reads the duty cycle of the PWM pulse and controls rotational speed. The PWM input signal level is supported from 2.5 V to 5 V. The combination with the rotational speed control by DC voltage, is impossible.

When the pin is not used, it must be connected to ground. The minimum pulse width is 100 ns.

**Lead-Angle Setting Pin (LAI, LAG)**

LV8856xJA/R provides the dynamic lead angle adjustment. To match the motor characteristics, set two point lead-angle, low speed side (set by LAI pin) and high speed side(set by LAG pin).

At middle range of input duty, the lead-angle is applied to calculated value for relative relationship.

The DC voltage levels applied to these pins are converted to the lead angle parameter. The voltages are fetched right after the power-on-reset. Because the internal conversion circuit works inside REG power rail, it is recommended that the LAI and LAG voltages are made from  $V_{REG}$ .

**Rotation Speed Setting Pin (RSA, RSB)**

LV8856xJA/R provides the feedback speed control, so this device can set the rotation speed value (RPM) directly.

To make the motor speed setting curve, set two point rotation speed value, high speed side and low speed side.

The DC voltage levels applied to these pins are converted to the rotation speed parameter. The voltages are fetched right after the power-on-reset. Because the internal conversion circuit works inside REG power rail, it is recommended that the RSA and RSB voltages are made from  $V_{REG}$ .

**Rotation Speed Curve Duty Setting Pin (PIX, PIZ)**

To make the motor speed setting curve, set two point input duty parameter, high speed side and low speed side.

The DC voltage levels applied to these pins are converted to the input duty parameter. The voltages are fetched right after the power-on-reset. Because the internal conversion circuit works inside REG power rail, it is recommended that the PIX and PIZ voltages are made from  $V_{REG}$ .

**Soft-Start and Dead Time Setting Pin (SFS)**

LV8856xJA/R provides synchronous rectification drive for high efficiency drive. External FET size is variable caused by the motor application. So this driver IC is able to choose 2 types of dead time.

Soft start function pattern is able to choose from 16 types.

The DC voltage levels applied to these pins are converted to the soft-start setting and dead time parameter. The voltage is fetched right after the power-on-reset. Because the internal conversion circuit works inside REG power rail, it is recommended that the SFS voltage is made from  $V_{REG}$ .

DETAILED DESCRIPTION

As for all numerical value used in this description, the design value or the typical value is used.

**Rotation Speed Curve Setting Description**

The LV8856xJA/R can set 2 points speed parameter arbitrarily.

Low speed point (LSP)

High speed point (HSP)

At middle range of input duty, the rotation speed is applied to calculated value for relative relationship.

When the input duty is lower than LSP setting duty, the LV8856xJA/R can select “motor stop” or “keep LSP rotation speed”.

When the input duty is higher than HSP setting duty, the LV8856xJA/R can select “free run” or “keep HSP rotation speed”.

Rotation speed of LSP and HSP is set by RSA and RSB pin. The case of  $RSA > RSB$ , “motor stop” mode applied. The case of  $RSA < RSB$ , “keep LSP rotation speed” mode applied.

Input duty of LSP and HSP is set by PIX and PIZ pin. The case of  $PIX > PIZ$ , “free run” mode applied. The case of  $PIX < PIZ$ , “keep HSP rotation speed” mode applied.

So LV8856xJA/R can't set decrease speed curve at input duty increase.

Figures 21 – 24 show setting curve example.

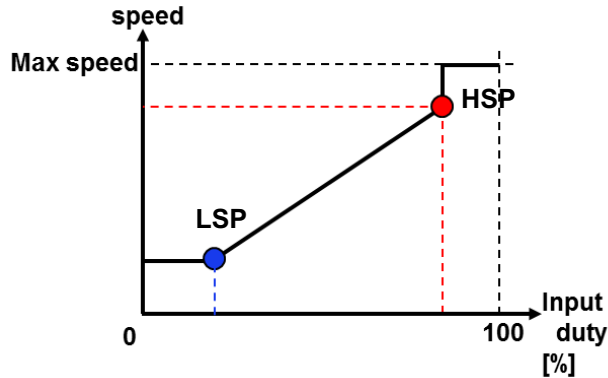


Figure 20. Image of Speed Setting Curve

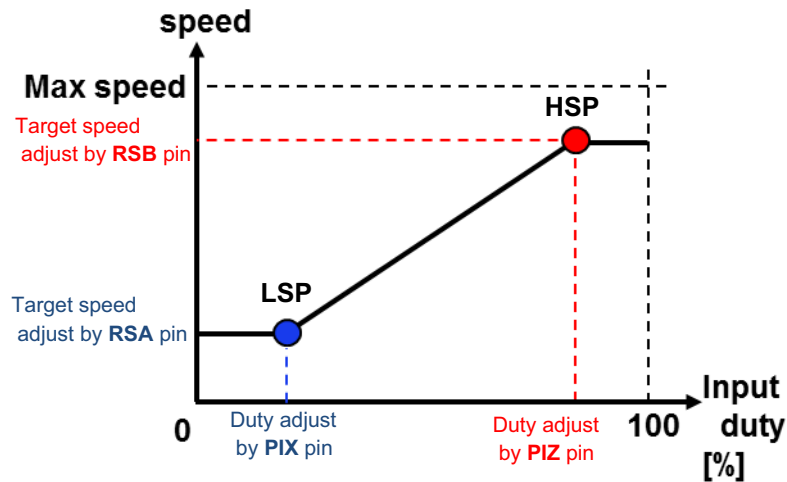


Figure 21. Speed Setting Curve Type Example 1  
Minimum Speed Set and Maximum Speed Set

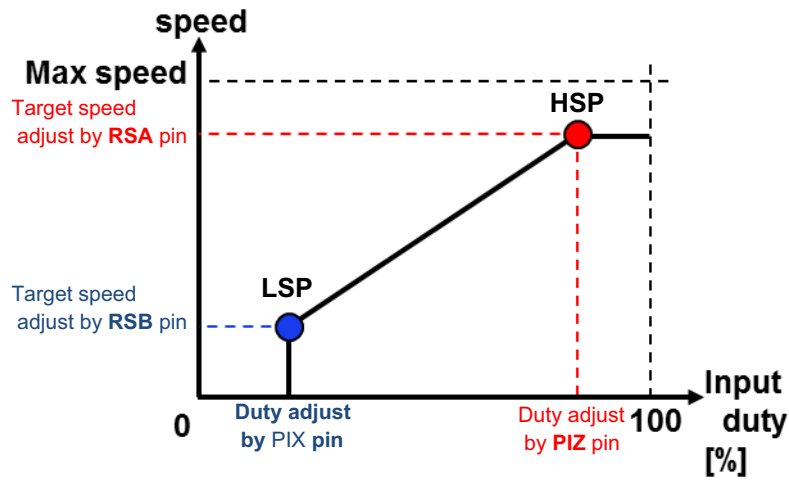


Figure 22. Speed Setting Curve Type Example 2  
Motor Stop Mode and Maximum Speed Set

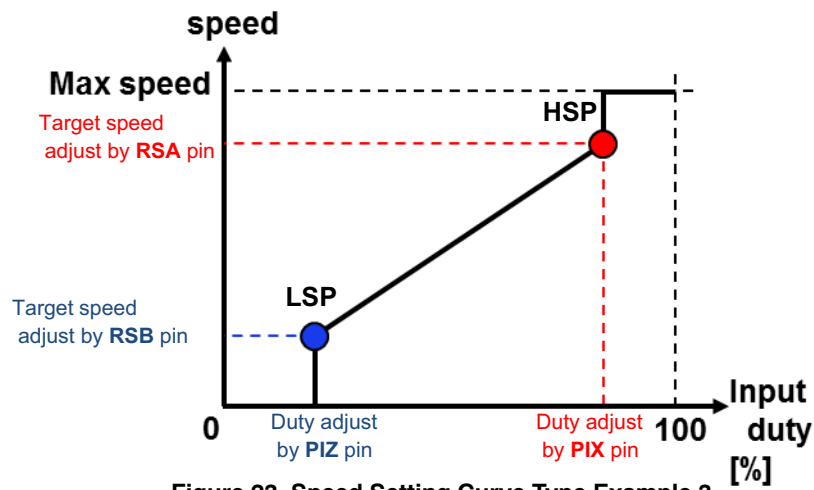


Figure 23. Speed Setting Curve Type Example 3  
Motor Stop Mode and Free Run Mode

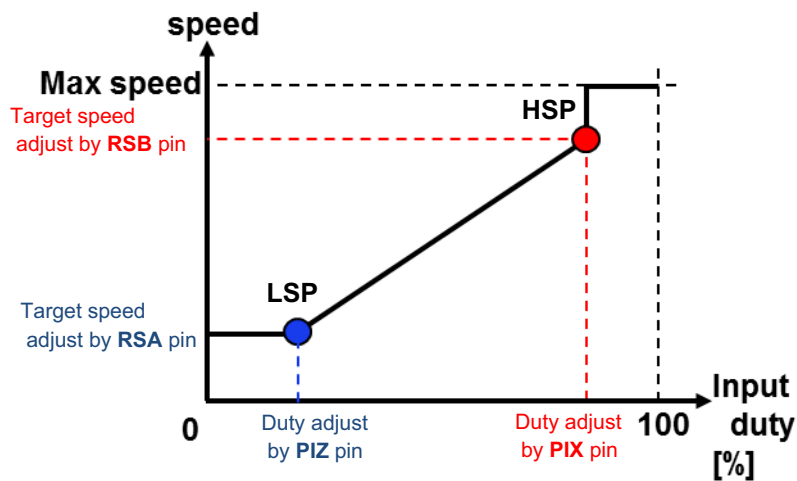


Figure 24. Speed Setting Curve Type Example 4  
Minimum Speed Set and Free Run Mode

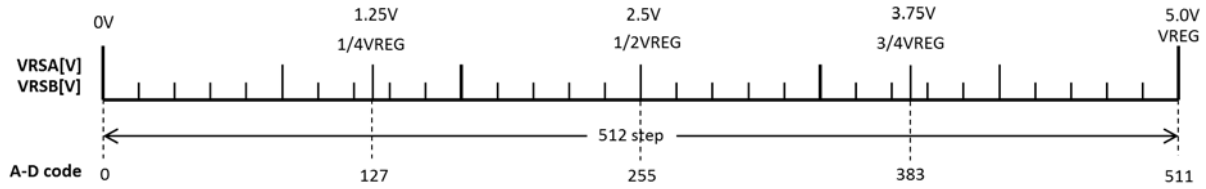


# LV88561, LV88562, LV88563, LV88564

**Table 8. ROTATION SPEED SETTING TABLE FOR RSA/RSB PIN**

| A-D code | RPM | A-D code | RPM  | A-D code | RPM  | A-D code | RPM   | A-D code | RPM   | A-D code | RPM   | A-D code | RPM   | A-D code | RPM   |
|----------|-----|----------|------|----------|------|----------|-------|----------|-------|----------|-------|----------|-------|----------|-------|
| 0        | 0   | 64       | 980  | 128      | 2180 | 192      | 4800  | 256      | 10800 | 320      | 17200 | 384      | 23600 | 448      | 30000 |
| 1        | 0   | 65       | 990  | 129      | 2200 | 193      | 4850  | 257      | 10900 | 321      | 17300 | 385      | 23700 | 449      | 30100 |
| 2        | 0   | 66       | 1000 | 130      | 2220 | 194      | 4900  | 258      | 11000 | 322      | 17400 | 386      | 23800 | 450      | 30200 |
| 3        | 0   | 67       | 1010 | 131      | 2240 | 195      | 4950  | 259      | 11100 | 323      | 17500 | 387      | 23900 | 451      | 30300 |
| 4        | 0   | 68       | 1020 | 132      | 2260 | 196      | 5000  | 260      | 11200 | 324      | 17600 | 388      | 24000 | 452      | 30400 |
| 5        | 0   | 69       | 1030 | 133      | 2280 | 197      | 5050  | 261      | 11300 | 325      | 17700 | 389      | 24100 | 453      | 30500 |
| 6        | 400 | 70       | 1040 | 134      | 2300 | 198      | 5100  | 262      | 11400 | 326      | 17800 | 390      | 24200 | 454      | 30600 |
| 7        | 410 | 71       | 1050 | 135      | 2320 | 199      | 5150  | 263      | 11500 | 327      | 17900 | 391      | 24300 | 455      | 30700 |
| 8        | 420 | 72       | 1060 | 136      | 2340 | 200      | 5200  | 264      | 11600 | 328      | 18000 | 392      | 24400 | 456      | 30800 |
| 9        | 430 | 73       | 1080 | 137      | 2360 | 201      | 5300  | 265      | 11700 | 329      | 18100 | 393      | 24500 | 457      | 30900 |
| 10       | 440 | 74       | 1100 | 138      | 2380 | 202      | 5400  | 266      | 11800 | 330      | 18200 | 394      | 24600 | 458      | 31000 |
| 11       | 450 | 75       | 1120 | 139      | 2400 | 203      | 5500  | 267      | 11900 | 331      | 18300 | 395      | 24700 | 459      | 31100 |
| 12       | 460 | 76       | 1140 | 140      | 2420 | 204      | 5600  | 268      | 12000 | 332      | 18400 | 396      | 24800 | 460      | 31200 |
| 13       | 470 | 77       | 1160 | 141      | 2440 | 205      | 5700  | 269      | 12100 | 333      | 18500 | 397      | 24900 | 461      | 31300 |
| 14       | 480 | 78       | 1180 | 142      | 2460 | 206      | 5800  | 270      | 12200 | 334      | 18600 | 398      | 25000 | 462      | 31400 |
| 15       | 490 | 79       | 1200 | 143      | 2480 | 207      | 5900  | 271      | 12300 | 335      | 18700 | 399      | 25100 | 463      | 31500 |
| 16       | 500 | 80       | 1220 | 144      | 2500 | 208      | 6000  | 272      | 12400 | 336      | 18800 | 400      | 25200 | 464      | 31600 |
| 17       | 510 | 81       | 1240 | 145      | 2520 | 209      | 6100  | 273      | 12500 | 337      | 18900 | 401      | 25300 | 465      | 31700 |
| 18       | 520 | 82       | 1260 | 146      | 2540 | 210      | 6200  | 274      | 12600 | 338      | 19000 | 402      | 25400 | 466      | 31800 |
| 19       | 530 | 83       | 1280 | 147      | 2560 | 211      | 6300  | 275      | 12700 | 339      | 19100 | 403      | 25500 | 467      | 31900 |
| 20       | 540 | 84       | 1300 | 148      | 2600 | 212      | 6400  | 276      | 12800 | 340      | 19200 | 404      | 25600 | 468      | 32000 |
| 21       | 550 | 85       | 1320 | 149      | 2650 | 213      | 6500  | 277      | 12900 | 341      | 19300 | 405      | 25700 | 469      | 32100 |
| 22       | 560 | 86       | 1340 | 150      | 2700 | 214      | 6600  | 278      | 13000 | 342      | 19400 | 406      | 25800 | 470      | 32200 |
| 23       | 570 | 87       | 1360 | 151      | 2750 | 215      | 6700  | 279      | 13100 | 343      | 19500 | 407      | 25900 | 471      | 32300 |
| 24       | 580 | 88       | 1380 | 152      | 2800 | 216      | 6800  | 280      | 13200 | 344      | 19600 | 408      | 26000 | 472      | 32400 |
| 25       | 590 | 89       | 1400 | 153      | 2850 | 217      | 6900  | 281      | 13300 | 345      | 19700 | 409      | 26100 | 473      | 32500 |
| 26       | 600 | 90       | 1420 | 154      | 2900 | 218      | 7000  | 282      | 13400 | 346      | 19800 | 410      | 26200 | 474      | 32600 |
| 27       | 610 | 91       | 1440 | 155      | 2950 | 219      | 7100  | 283      | 13500 | 347      | 19900 | 411      | 26300 | 475      | 32700 |
| 28       | 620 | 92       | 1460 | 156      | 3000 | 220      | 7200  | 284      | 13600 | 348      | 20000 | 412      | 26400 | 476      | 32800 |
| 29       | 630 | 93       | 1480 | 157      | 3050 | 221      | 7300  | 285      | 13700 | 349      | 20100 | 413      | 26500 | 477      | 32900 |
| 30       | 640 | 94       | 1500 | 158      | 3100 | 222      | 7400  | 286      | 13800 | 350      | 20200 | 414      | 26600 | 478      | 33000 |
| 31       | 650 | 95       | 1520 | 159      | 3150 | 223      | 7500  | 287      | 13900 | 351      | 20300 | 415      | 26700 | 479      | 33100 |
| 32       | 660 | 96       | 1540 | 160      | 3200 | 224      | 7600  | 288      | 14000 | 352      | 20400 | 416      | 26800 | 480      | 33200 |
| 33       | 670 | 97       | 1560 | 161      | 3250 | 225      | 7700  | 289      | 14100 | 353      | 20500 | 417      | 26900 | 481      | 33300 |
| 34       | 680 | 98       | 1580 | 162      | 3300 | 226      | 7800  | 290      | 14200 | 354      | 20600 | 418      | 27000 | 482      | 33400 |
| 35       | 690 | 99       | 1600 | 163      | 3350 | 227      | 7900  | 291      | 14300 | 355      | 20700 | 419      | 27100 | 483      | 33500 |
| 36       | 700 | 100      | 1620 | 164      | 3400 | 228      | 8000  | 292      | 14400 | 356      | 20800 | 420      | 27200 | 484      | 33600 |
| 37       | 710 | 101      | 1640 | 165      | 3450 | 229      | 8100  | 293      | 14500 | 357      | 20900 | 421      | 27300 | 485      | 33700 |
| 38       | 720 | 102      | 1660 | 166      | 3500 | 230      | 8200  | 294      | 14600 | 358      | 21000 | 422      | 27400 | 486      | 33800 |
| 39       | 730 | 103      | 1680 | 167      | 3550 | 231      | 8300  | 295      | 14700 | 359      | 21100 | 423      | 27500 | 487      | 33900 |
| 40       | 740 | 104      | 1700 | 168      | 3600 | 232      | 8400  | 296      | 14800 | 360      | 21200 | 424      | 27600 | 488      | 34000 |
| 41       | 750 | 105      | 1720 | 169      | 3650 | 233      | 8500  | 297      | 14900 | 361      | 21300 | 425      | 27700 | 489      | 34100 |
| 42       | 760 | 106      | 1740 | 170      | 3700 | 234      | 8600  | 298      | 15000 | 362      | 21400 | 426      | 27800 | 490      | 34200 |
| 43       | 770 | 107      | 1760 | 171      | 3750 | 235      | 8700  | 299      | 15100 | 363      | 21500 | 427      | 27900 | 491      | 34300 |
| 44       | 780 | 108      | 1780 | 172      | 3800 | 236      | 8800  | 300      | 15200 | 364      | 21600 | 428      | 28000 | 492      | 34400 |
| 45       | 790 | 109      | 1800 | 173      | 3850 | 237      | 8900  | 301      | 15300 | 365      | 21700 | 429      | 28100 | 493      | 34500 |
| 46       | 800 | 110      | 1820 | 174      | 3900 | 238      | 9000  | 302      | 15400 | 366      | 21800 | 430      | 28200 | 494      | 34600 |
| 47       | 810 | 111      | 1840 | 175      | 3950 | 239      | 9100  | 303      | 15500 | 367      | 21900 | 431      | 28300 | 495      | 34700 |
| 48       | 820 | 112      | 1860 | 176      | 4000 | 240      | 9200  | 304      | 15600 | 368      | 22000 | 432      | 28400 | 496      | 34800 |
| 49       | 830 | 113      | 1880 | 177      | 4050 | 241      | 9300  | 305      | 15700 | 369      | 22100 | 433      | 28500 | 497      | 34900 |
| 50       | 840 | 114      | 1900 | 178      | 4100 | 242      | 9400  | 306      | 15800 | 370      | 22200 | 434      | 28600 | 498      | 35000 |
| 51       | 850 | 115      | 1920 | 179      | 4150 | 243      | 9500  | 307      | 15900 | 371      | 22300 | 435      | 28700 | 499      | 35100 |
| 52       | 860 | 116      | 1940 | 180      | 4200 | 244      | 9600  | 308      | 16000 | 372      | 22400 | 436      | 28800 | 500      | 35200 |
| 53       | 870 | 117      | 1960 | 181      | 4250 | 245      | 9700  | 309      | 16100 | 373      | 22500 | 437      | 28900 | 501      | 35300 |
| 54       | 880 | 118      | 1980 | 182      | 4300 | 246      | 9800  | 310      | 16200 | 374      | 22600 | 438      | 29000 | 502      | 35400 |
| 55       | 890 | 119      | 2000 | 183      | 4350 | 247      | 9900  | 311      | 16300 | 375      | 22700 | 439      | 29100 | 503      | 35500 |
| 56       | 900 | 120      | 2020 | 184      | 4400 | 248      | 10000 | 312      | 16400 | 376      | 22800 | 440      | 29200 | 504      | 35600 |
| 57       | 910 | 121      | 2040 | 185      | 4450 | 249      | 10100 | 313      | 16500 | 377      | 22900 | 441      | 29300 | 505      | 35700 |
| 58       | 920 | 122      | 2060 | 186      | 4500 | 250      | 10200 | 314      | 16600 | 378      | 23000 | 442      | 29400 | 506      | 35800 |
| 59       | 930 | 123      | 2080 | 187      | 4550 | 251      | 10300 | 315      | 16700 | 379      | 23100 | 443      | 29500 | 507      | 35900 |
| 60       | 940 | 124      | 2100 | 188      | 4600 | 252      | 10400 | 316      | 16800 | 380      | 23200 | 444      | 29600 | 508      | 36000 |
| 61       | 950 | 125      | 2120 | 189      | 4650 | 253      | 10500 | 317      | 16900 | 381      | 23300 | 445      | 29700 | 509      | 36000 |
| 62       | 960 | 126      | 2140 | 190      | 4700 | 254      | 10600 | 318      | 17000 | 382      | 23400 | 446      | 29800 | 510      | 36000 |
| 63       | 970 | 127      | 2160 | 191      | 4750 | 255      | 10700 | 319      | 17100 | 383      | 23500 | 447      | 29900 | 511      | 36000 |

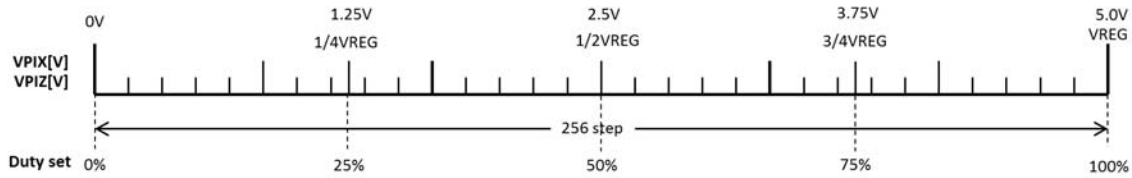
## LV88561, LV88562, LV88563, LV88564



**Figure 25. A-D Code Figure for RSA/RSB Pin**

Voltage of RSA/RSB is calculated by below formula.

$$V_{RSA}, V_{RSB}[V] = \frac{V_{REG}}{512} \times \text{Target RPM's A\_D code} \quad (\text{eq. 1})$$



**Figure 26. Input Duty Parameter Setting for PIX/PIZ Pin**

Voltage of PIX/PIZ is calculated by below formula.

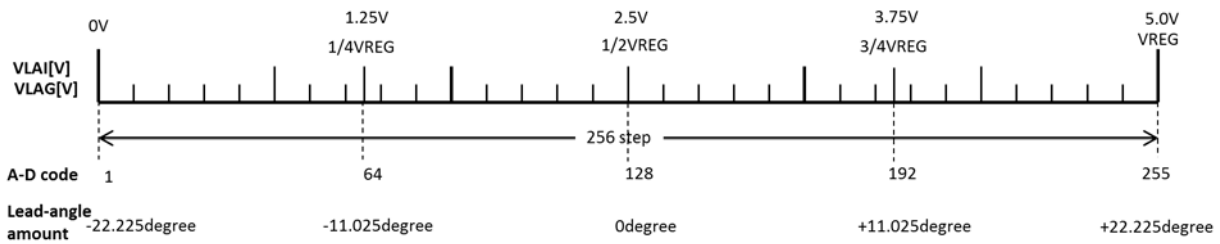
$$V_{PIX}, V_{PIZ}[V] = V_{REG} \times \frac{\text{Target Duty}[\%]}{100} \quad (\text{eq. 2})$$

### Lead-angle Setting Description

LV8856xJA/R provides the dynamic lead angle adjustment. To match the motor characteristics, set two points lead-angle amounts. Settable range is  $-22.225^\circ$  to  $+22.225^\circ$  ( $0.175^\circ$  step). LSP's value is set by LAI pin and

HSP's value is set by LAG pin. At middle range of input duty, the lead-angle is applied to calculated value for relative relationship.

LV8856xJA/R can set delay angle setting. Minus value means delay angle.



**Figure 27. Lead-angle Parameter Setting for LAI/LAG Pin**

Voltage of LAI/LAI is calculated by below formula.

$$V_{LAI}, V_{LAG}[V] = \frac{V_{REG}}{2} + V_{REG} \times \frac{\text{Target Lead Angle Value } [^\circ]}{44.45} \quad (\text{eq. 3})$$

Lead angle amounts of LSP and HSP doesn't care each relationship of large/small.

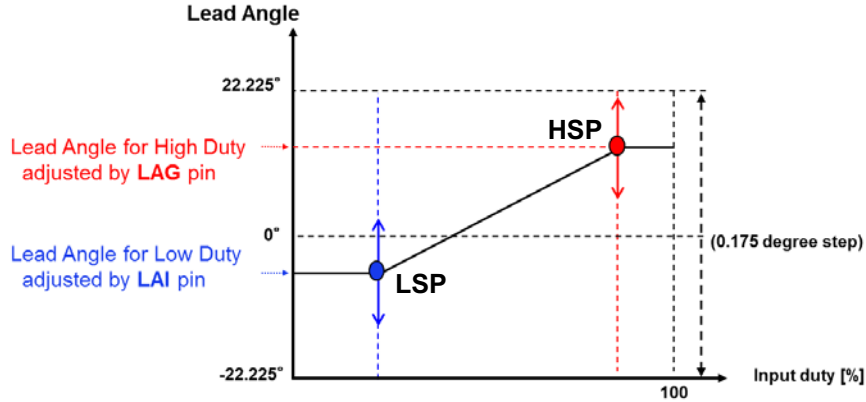


Figure 28. Image of Lead Angle Setting Curve

| Lead angle | Low speed | High speed |
|------------|-----------|------------|
| Image      |           |            |
| Wave form  |           |            |

Figure 29. Lead Angle Image Waveform

**Soft-Start Setting Description**

LV8856xJA/R has soft start function.

To avoid the motor rush current, the output PWM duty rise-up from zero slowly at the starting of motor rotation.

The soft start action release conditions are below;

Rotation speed reach to target speed decided by PWM input.

Output duty reach to “Release duty”.

When reached to the release condition, change to closed-loop speed control mode.

If the motor can't rotation during 0.7s (typ), lock protection function will activate.

The recommendation of soft-start time is 1.72 s. Hence, it can be set by A-D code “0” and “31” for easy implementation by pin pull-down or pull-up.

| A-D code | Soft-start time(s) | Release duty(%) | Dead time(us) |
|----------|--------------------|-----------------|---------------|
| 0        | 1.72               | 86              | 0.5           |
| 1        | 0.03               | 86              | 0.5           |
| 2        | 0.86               | 86              | 0.5           |
| 3        | 2.58               | 86              | 0.5           |
| 4        | 3.44               | 86              | 0.5           |
| 5        | 5.16               | 86              | 0.5           |
| 6        | 8.6                | 86              | 0.5           |
| 7        | 17.2               | 86              | 0.5           |
| 8        | 10                 | 20              | 0.5           |
| 9        | 5                  | 20              | 0.5           |
| 10       | 3                  | 20              | 0.5           |
| 11       | 2                  | 20              | 0.5           |
| 12       | 1.5                | 20              | 0.5           |
| 13       | 1                  | 20              | 0.5           |
| 14       | 0.5                | 20              | 0.5           |
| 15       | 0.02               | 20              | 0.5           |
| 16       | 0.02               | 20              | 1             |
| 17       | 0.5                | 20              | 1             |
| 18       | 1                  | 20              | 1             |
| 19       | 1.5                | 20              | 1             |
| 20       | 2                  | 20              | 1             |
| 21       | 3                  | 20              | 1             |
| 22       | 5                  | 20              | 1             |
| 23       | 10                 | 20              | 1             |
| 24       | 17.2               | 86              | 1             |
| 25       | 8.6                | 86              | 1             |
| 26       | 5.16               | 86              | 1             |
| 27       | 3.44               | 86              | 1             |
| 28       | 2.58               | 86              | 1             |
| 29       | 0.86               | 86              | 1             |
| 30       | 0.03               | 86              | 1             |
| 31       | 1.72               | 86              | 1             |

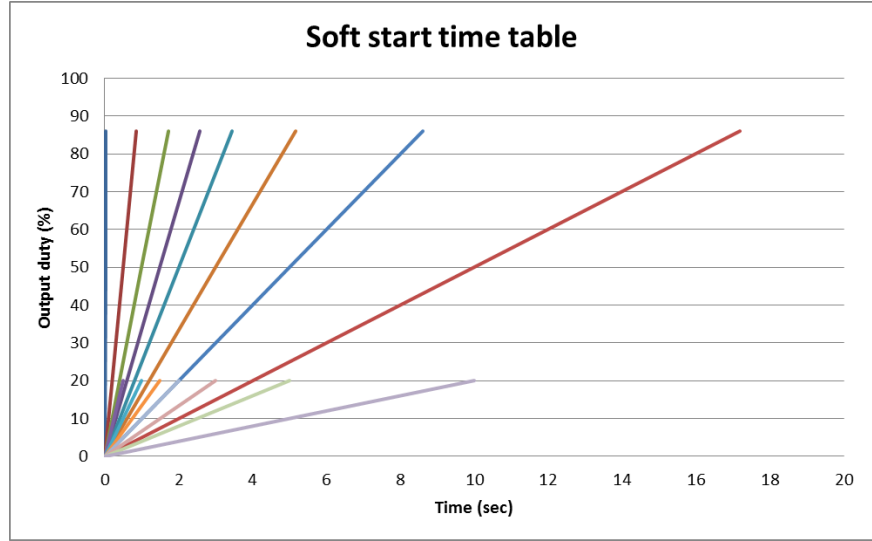


Figure 30. Soft-start and Dead Time Setting Table for SFS Pin

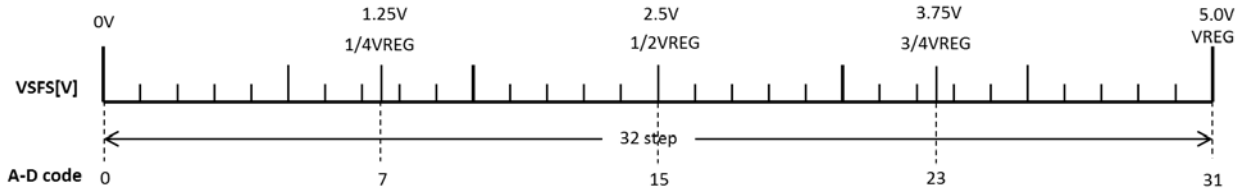


Figure 31. A-D Code Figure for SFS Pin

Voltage of SFS is calculated by below formula.

$$VSFS[V] = \frac{VREG}{32} \times \text{Target Setting's A\_D Code} \quad (\text{eq. 4})$$

**Output Waveform**

LV8856xJA/R output PWM frequency is fixed by the inner oscillator parameter, 48 kHz (typ) which doesn't depend on input PWM frequency.

Driving method of LV8856xJA/R uses PWM soft switching drive.

Soft switching width is changed by input PWM duty.

When the input duty is HSP setting duty, soft switching width is narrow ( $S/L = 20.5\%$ )

On the other hand when the input duty is LSP setting duty, soft switching width becomes wide ( $S/L = 46.9\%$ )

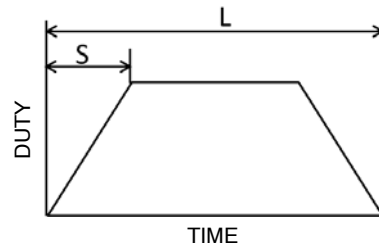


Figure 32. Image of Soft Switching Width

In this part, the rise/fall time of soft switching waveform is equal. Therefore, the “S” in the figure can be also applied to fall time as well.

At the middle range input duty, the soft switching width is applied to calculated value for relative relationship.

**Protections**

LV8856xJA/R has some protection function.

- Thermal shutdown protection (TSD)
- Under voltage lock out (UVLO)
- Current limiter (CLM)
- Lock protection

When TSD or Lock protection is working, external FETs are all turned off.

On the other hand, when UVLO or CLM is working, output is turned off and goes into re-circulation state.

**Thermal Shutdown Protection (TSD)**

When this IC’s junction temperature rises to 180°C (typ), O1H/O2H output turns to high, and O1L/O2L output turn to low. External FETs are all turns off and coil current is shut off.

Next, when IC’s junction temperature falls to 140°C (typ), thermal shutdown function is released and motor starts to rotate.

**Under Voltage Lock Out (UVLO)**

UVLO work voltage: VCC 3.4 V (typ)

UVLO release voltage: VCC 3.6 V (typ)

**Current Limiter (CLM)**

When the coil current increases and the voltage of the RF pin rises to 0.1 V (typ), the CLM operates and shut the coil current.

CLM current is adjustable by resistor value between RF–GND.

The sense resistor value is calculated as follows.

$$\text{Sense Resistor}[\Omega] = \frac{V_{TH_{CLM}}[V]}{I_{CLM}[A]} \tag{eq. 5}$$

For example, to set the CLM current threshold at 2A, the sense resistor value is

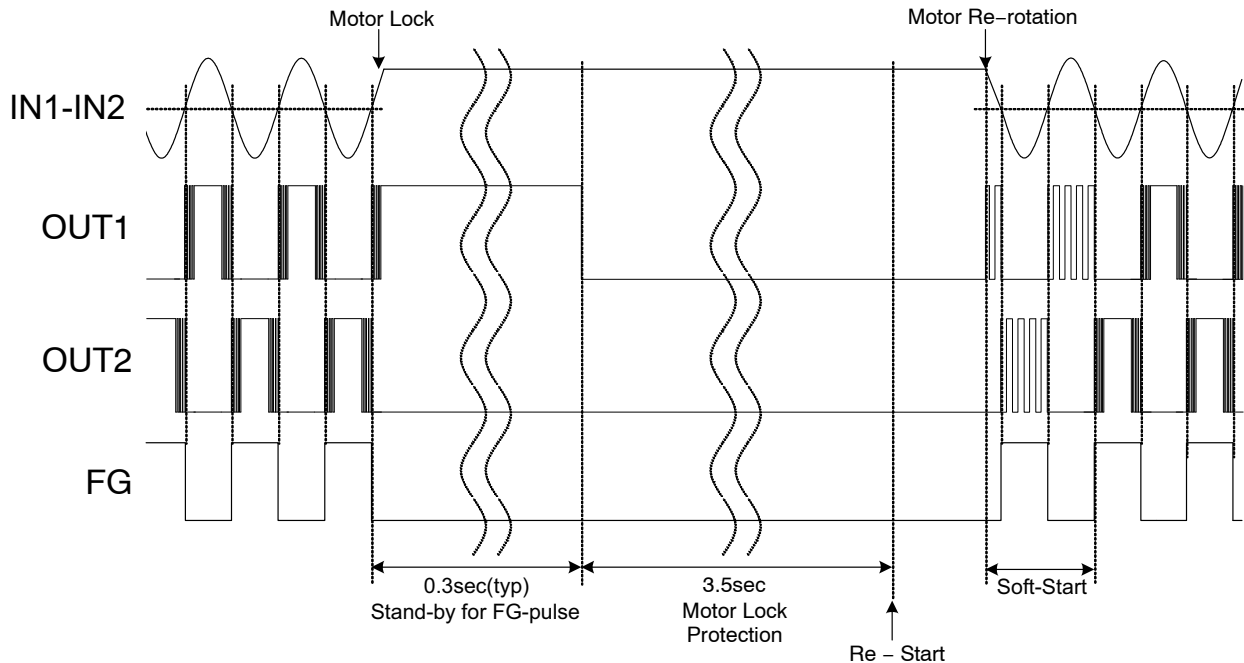
$$\begin{aligned} \text{Sense Resistor} &= \frac{0.10(\text{typ})}{2.0} \\ \text{Res} &= 0.05 [\Omega] \end{aligned} \tag{eq. 6}$$

**Lock Detection and Lock Protection**

When the motor lock is happened, heat is generated because IC continues to supply electricity to the motor. And IC detects this radiated heat and turns off the electricity to the motor.

If IC does not receive the FG edge for 0.3sec (under 50rpm), the IC judges "motor lock" has occurred and the lock protection function will activate. In this mode, the RD signal goes to "High", though it is "Low" at motor starts.

When the motor restarts and IC detects 4 phase changes, the RD signal goes to "Low".



**Figure 33. Image of Lock Detection and Lock Protection**

It takes 3.5s for Lock protection time(1<sup>st</sup> to 4<sup>th</sup> protection time). This equals to the total of lock detection time and lock protection time. The lock detection time – the ratio is approx. 1:5 (from 1<sup>st</sup> to 4<sup>th</sup> protection time).

After 5<sup>th</sup> protection time, the lock protection time becomes 14s and protection–start time ratio is approx. 1:20 (after 5<sup>th</sup> protection time)

When the motor rotation is stopped by PWM input signal, the lock detection is reset and the motor starts to rotate smoothly once the IC receives the rotation start instruction.

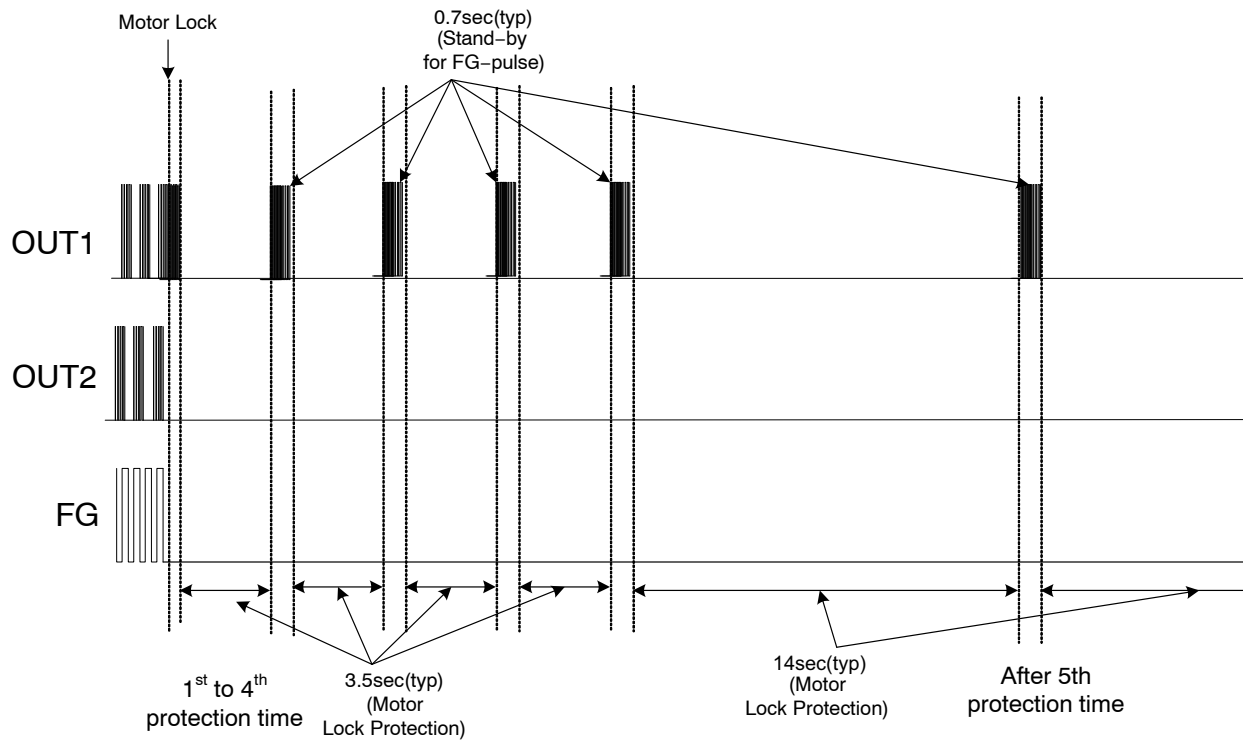


Figure 34. Image of Lock Protection Time

**PCB GUIDELINES****VCC and Ground Routing**

Make sure to short-circuit power line externally by a low impedance route on one side of PCB. As high current flows into external FET to GND, connect it to GND through a low impedance route.

The capacitance connected between the VCC pin and the opposite ground is to stabilize the battery. Make sure to connect an electrolytic capacitor with capacitance value of about 1  $\mu\text{F}$  (0.1  $\mu\text{F}$  or greater) to eliminate low frequency noise. Also, to eliminate high frequency noise, connect a capacitor of superior frequency characteristics, with capacitance value of about 0.1  $\mu\text{F}$  and make sure that the capacitor is connected as close to the pin as possible. Allow enough room in the design so the impact of PWM drive and flyback do not affect other components. Especially, when the coil inductance is large and/or the coil resistance is small, current ripple will rise so it is necessary to use a high-capacity capacitor with superior frequency characteristics. Please note that if the battery voltage rises due to the impact of the coil flyback as a result of the use of diode for preventing the break down caused by reverse connection, it is necessary to either increase the capacitance value or place Zener diode between the battery and the ground so that the voltage does not exceed its absolute maximum voltage.

When the electrolytic capacitor cannot be used, add the resistor with the value of about 1  $\Omega$  and a ceramic capacitor with the capacitor value of about 10  $\mu\text{F}$  in series for the alternative use. When the battery line is extended,

(20–30 cm to 2–3 m), the battery voltage may overshoot when the power is supplied due to the impact of the routing of the inductance. Make sure that the voltage does not exceed the absolute maximum standard voltage when the power supply turns on.

These capacitance values are just for reference, so the confirmation with the actual application is essential to determine the values appropriately.

**RF Routing**

Power current (output current) flows through the RF line. Make sure to short-circuit the line from RF through GND as well as GND. The RF resistance must choose enough power rating.

**External FET Output Pins**

Since the pins have to tolerate surge of current, make sure that the wires are thick and short enough when designing the PCB board.

**Thermal Test Conditions**

LV8856xJA (x = 1,2,3 or 4)

Size: 114.3 mm x 76.1 mm x 1.6 mm

Material: Glass epoxy single layer board

LV8856xR (x = 1,2,3 or 4)

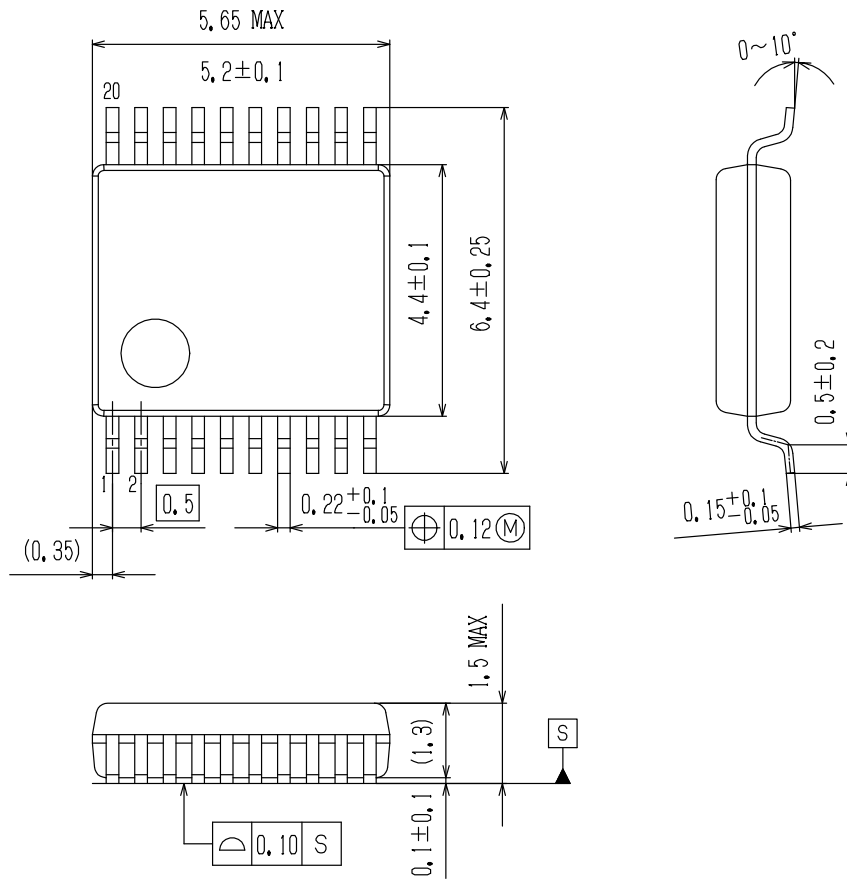
Size: 50.0 mm x 40.0 mm x 0.8 mm

Material: Glass epoxy 4-layer board

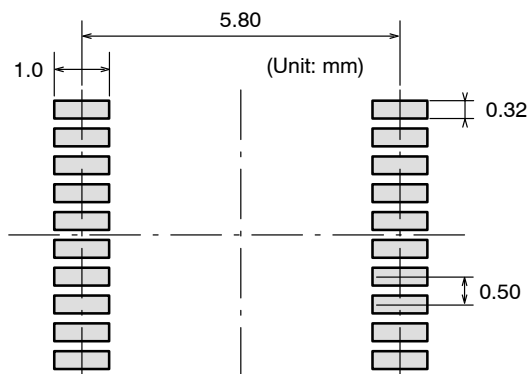
# LV88561, LV88562, LV88563, LV88564

## PACKAGE DIMENSIONS

**SSOP20J (225mil)**  
CASE 565AP  
ISSUE A



### SOLDERING FOOTPRINT\*



NOTE: The measurements are not to guarantee but for reference only.

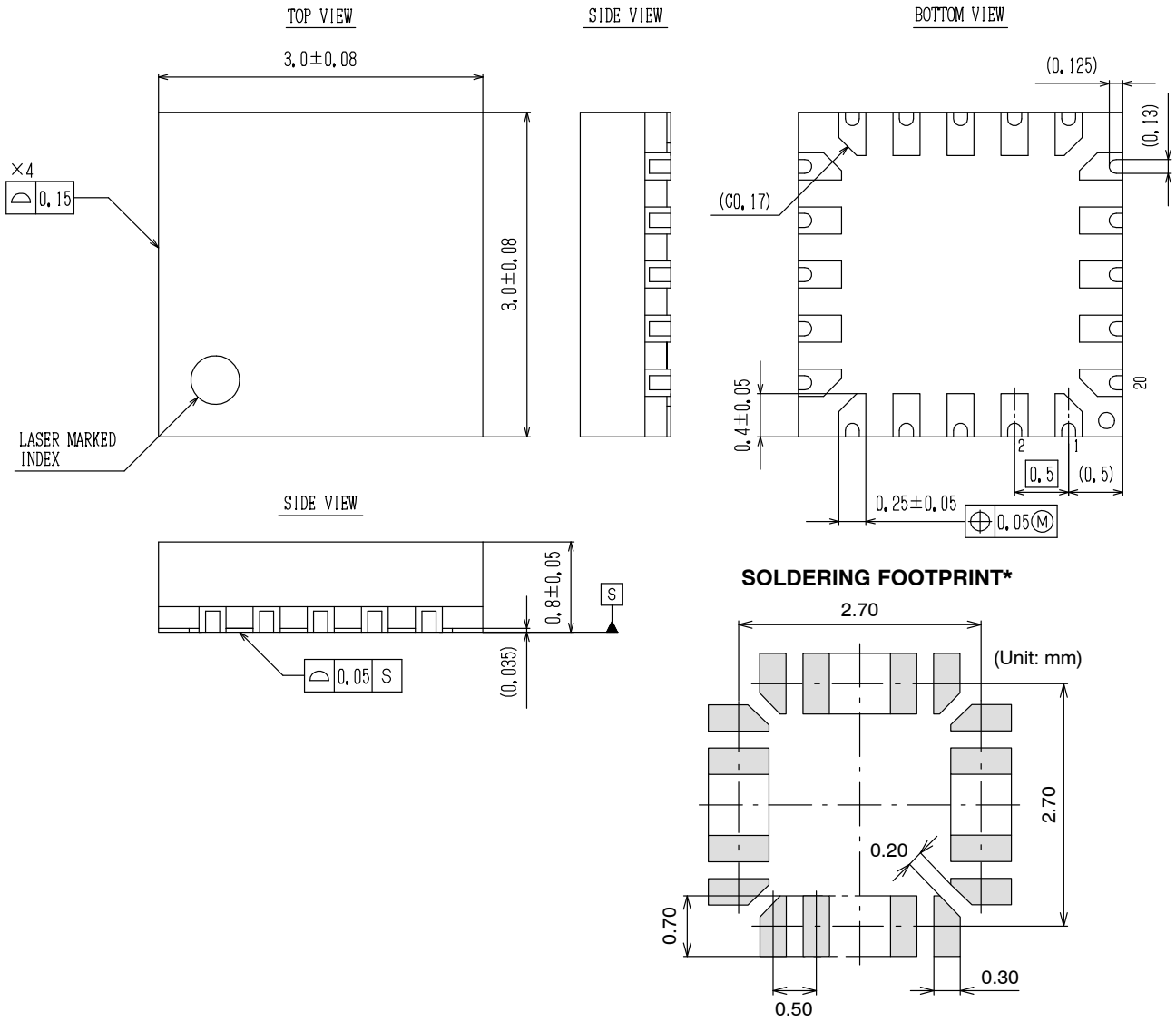
\*For additional information on our Pb-Free strategy and soldering details, please download the ON Semiconductor Soldering and Mounting Techniques Reference Manual, SOLDERRM/D.



# LV88561, LV88562, LV88563, LV88564


## PACKAGE DIMENSIONS

VCT20 3x3, 0.5P  
CASE 601AB  
ISSUE A



NOTE: The measurements are not to guarantee but for reference only.

\*For additional information on our Pb-Free strategy and soldering details, please download the ON Semiconductor Soldering and Mounting Techniques Reference Manual, SOLDERRM/D.

ON Semiconductor and  are trademarks of Semiconductor Components Industries, LLC dba ON Semiconductor or its subsidiaries in the United States and/or other countries. ON Semiconductor owns the rights to a number of patents, trademarks, copyrights, trade secrets, and other intellectual property. A listing of ON Semiconductor's product/patent coverage may be accessed at [www.onsemi.com/site/pdf/Patent-Marking.pdf](http://www.onsemi.com/site/pdf/Patent-Marking.pdf). ON Semiconductor reserves the right to make changes without further notice to any products herein. ON Semiconductor makes no warranty, representation or guarantee regarding the suitability of its products for any particular purpose, nor does ON Semiconductor assume any liability arising out of the application or use of any product or circuit, and specifically disclaims any and all liability, including without limitation special, consequential or incidental damages. Buyer is responsible for its products and applications using ON Semiconductor products, including compliance with all laws, regulations and safety requirements or standards, regardless of any support or applications information provided by ON Semiconductor. "Typical" parameters which may be provided in ON Semiconductor data sheets and/or specifications can and do vary in different applications and actual performance may vary over time. All operating parameters, including "Typicals" must be validated for each customer application by customer's technical experts. ON Semiconductor does not convey any license under its patent rights nor the rights of others. ON Semiconductor products are not designed, intended, or authorized for use as a critical component in life support systems or any FDA Class 3 medical devices or medical devices with a same or similar classification in a foreign jurisdiction or any devices intended for implantation in the human body. Should Buyer purchase or use ON Semiconductor products for any such unintended or unauthorized application, Buyer shall indemnify and hold ON Semiconductor and its officers, employees, subsidiaries, affiliates, and distributors harmless against all claims, costs, damages, and expenses, and reasonable attorney fees arising out of, directly or indirectly, any claim of personal injury or death associated with such unintended or unauthorized use, even if such claim alleges that ON Semiconductor was negligent regarding the design or manufacture of the part. ON Semiconductor is an Equal Opportunity/Affirmative Action Employer. This literature is subject to all applicable copyright laws and is not for resale in any manner.

## PUBLICATION ORDERING INFORMATION

### LITERATURE FULFILLMENT:

Literature Distribution Center for ON Semiconductor  
19521 E. 32nd Pkwy, Aurora, Colorado 80011 USA  
**Phone:** 303-675-2175 or 800-344-3860 Toll Free USA/Canada  
**Fax:** 303-675-2176 or 800-344-3867 Toll Free USA/Canada  
**Email:** [orderlit@onsemi.com](mailto:orderlit@onsemi.com)

**N. American Technical Support:** 800-282-9855 Toll Free  
USA/Canada  
**Europe, Middle East and Africa Technical Support:**  
Phone: 421 33 790 2910

**ON Semiconductor Website:** [www.onsemi.com](http://www.onsemi.com)

**Order Literature:** <http://www.onsemi.com/orderlit>

For additional information, please contact your local  
Sales Representative

## Данный компонент на территории Российской Федерации

### Вы можете приобрести в компании MosChip.

Для оперативного оформления запроса Вам необходимо перейти по данной ссылке:

<http://moschip.ru/get-element>

Вы можете разместить у нас заказ для любого Вашего проекта, будь то серийное производство или разработка единичного прибора.

В нашем ассортименте представлены ведущие мировые производители активных и пассивных электронных компонентов.

Нашей специализацией является поставка электронной компонентной базы двойного назначения, продукции таких производителей как XILINX, Intel (ex.ALTERA), Vicor, Microchip, Texas Instruments, Analog Devices, Mini-Circuits, Amphenol, Glenair.

Сотрудничество с глобальными дистрибьюторами электронных компонентов, предоставляет возможность заказывать и получать с международных складов практически любой перечень компонентов в оптимальные для Вас сроки.

На всех этапах разработки и производства наши партнеры могут получить квалифицированную поддержку опытных инженеров.

Система менеджмента качества компании отвечает требованиям в соответствии с ГОСТ Р ИСО 9001, ГОСТ РВ 0015-002 и ЭС РД 009

### Офис по работе с юридическими лицами:

105318, г.Москва, ул.Щербаковская д.3, офис 1107, 1118, ДЦ «Щербаковский»

Телефон: +7 495 668-12-70 (многоканальный)

Факс: +7 495 668-12-70 (доб.304)

E-mail: [info@moschip.ru](mailto:info@moschip.ru)

Skype отдела продаж:

moschip.ru

moschip.ru\_4

moschip.ru\_6

moschip.ru\_9