



## Main

|                               |  |
|-------------------------------|--|
| Range of product              | OsiSense XU  |
| Series name                   | Application packaging  |
| Electronic sensor type        | Photo-electric sensor  |
| Sensor name                   | XUM  |
| Sensor design                 | Miniature  |
| Detection system              | Reflex   |
| Material                      | Plastic  |
| Type of output signal         | Discrete   |
| Supply circuit type           | DC   |
| Wiring technique              | 3-wire   |
| Discrete output type          | PNP  |
| Discrete output function      | 1 NO or 1 NC programmable  |
| Electrical connection         | 1 male connector M8, 4 pins  |
| Product specific application  | Detection of transparent object  |
| Emission                      | Infrared reflex  |
| [Sn] nominal sensing distance | 6.56 ft (2 m) reflex need reflector XUZC50<br>3.28 ft (1 m) reflex need reflector XUZC50CR |

## Complementary

|                           |   |
|---------------------------|---|
| Enclosure material        | PBT   |
| Lens material             | PC  |
| Output type               | Solid state   |
| Cable entry               | 1 entry for M16 x 1.5 cable gland, cable outer diameter: 0.28...0.39 in (7...10 mm) |
| Status LED                | 1 LED (green) supply<br>1 LED (yellow) output state                                 |
| [Us] rated supply voltage | 12...24 V DC  |
| Supply voltage limits     | 10...30 V DC  |
| Switching capacity in mA  | <= 100 mA (overload and short-circuit protection)                                   |
| Switching frequency       | <= 250 Hz   |
| Voltage drop              | <= 1.5 V (closed state)   |
| Current consumption       | <= 35 mA (no-load)  |
| Delay first up            | < 15 ms   |
| Delay response            | < 2 ms  |
| Delay recovery            | < 2 ms  |
| Setting-up                | Sensitivity adjustment  |
| Depth                     | 3.03 in (77 mm)   |
| Height                    | 3.62 in (92 mm)   |
| Length                    | 0.43 in (11 mm)   |
| Width                     | 1.22 in (31 mm)   |
| Product weight            | 0.44 lb(US) (0.2 kg)  |

## Environment

|                                       |   |
|---------------------------------------|---|
| product certifications                | CE<br>CSA<br>UL   |
| ambient air temperature for operation | -13...131 °F (-25...55 °C)                                      |
| ambient air temperature for storage   | -40...158 °F (-40...70 °C)                                      |
| immunity to ambient light             | 3000 lux with natural light<br>3000 lux with incandescent light |

The information provided in this documentation contains general descriptions and/or technical characteristics of the performance of the products contained herein. This documentation is not intended as a substitute for and is not to be used for determining suitability or reliability of these products for specific user applications. It is the duty of any such user or integrator to perform the appropriate and complete risk analysis, evaluation and testing of the products with respect to the relevant specific application or use thereof. Neither Schneider Electric Industries SAS nor any of its affiliates or subsidiaries shall be responsible or liable for misuse of the information contained herein.

|                         |  |
|-------------------------|--|
| vibration resistance    | 7 gn, amplitude = +/- 1.5 mm (f = 10...55 Hz) conforming to IEC 60068-2-6                        |
| shock resistance        | 30 gn (duration = 11 ms) conforming to IEC 60068-2-27  |
| IP degree of protection | IP65 double insulation conforming to IEC 60529<br>IP67 double insulation conforming to IEC 60529 |

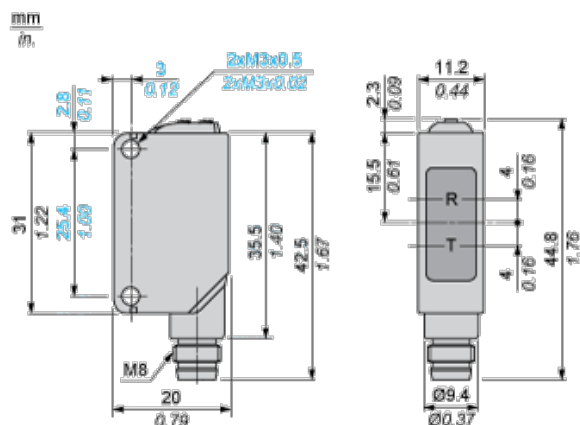
## Offer Sustainability

|  |  |
|--|--|
| Not Green Premium product  | Not Green Premium product  |
| Compliant - since 1210 - Schneider Electric declaration of conformity  | Compliant - since 1210 - Schneider Electric declaration of conformity  |
| WARNING: This product can expose you to chemicals including:   | WARNING: This product can expose you to chemicals including:   |
| Diisononyl phthalate (DINP), which is known to the State of California to cause cancer, and                                | Diisononyl phthalate (DINP), which is known to the State of California to cause cancer, and                                |
| Di-isodecyl phthalate (DIDP), which is known to the State of California to cause birth defects or other reproductive harm. | Di-isodecyl phthalate (DIDP), which is known to the State of California to cause birth defects or other reproductive harm. |
| For more information go to <a href="http://www.p65warnings.ca.gov">www.p65warnings.ca.gov</a>                              | For more information go to <a href="http://www.p65warnings.ca.gov">www.p65warnings.ca.gov</a>                              |

## Contractual warranty

|                 |           |
|-----------------|-----------|
| Warranty period | 18 months |
|-----------------|-----------|

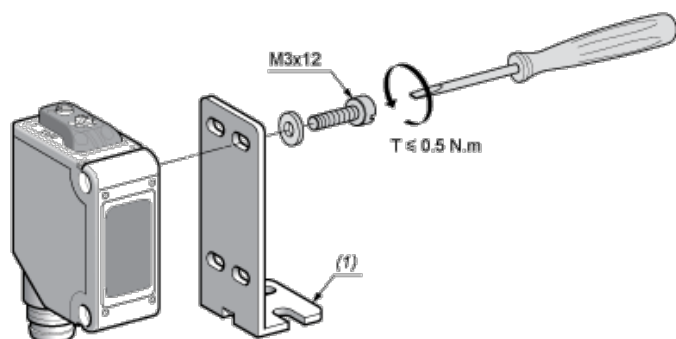
## Dimensions



R : Reception

T : Transmission

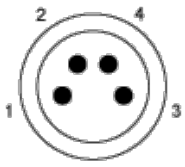
## Mounting



(1) Metal bracket

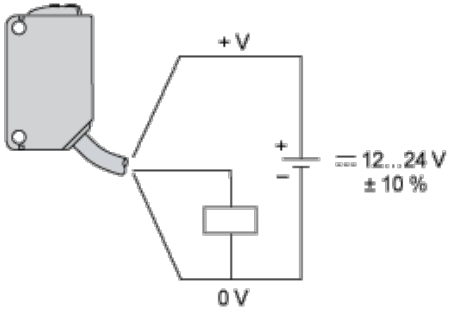
## Wiring Schemes

### M8 Connector



- 3 : (-)
- 1 : (+)
- 4 : Output
- 2 : Not connected

**PNP Output**



## Данный компонент на территории Российской Федерации

### Вы можете приобрести в компании MosChip.

Для оперативного оформления запроса Вам необходимо перейти по данной ссылке:

<http://moschip.ru/get-element>

Вы можете разместить у нас заказ для любого Вашего проекта, будь то серийное производство или разработка единичного прибора.

В нашем ассортименте представлены ведущие мировые производители активных и пассивных электронных компонентов.

Нашей специализацией является поставка электронной компонентной базы двойного назначения, продукции таких производителей как XILINX, Intel (ex.ALTERA), Vicor, Microchip, Texas Instruments, Analog Devices, Mini-Circuits, Amphenol, Glenair.

Сотрудничество с глобальными дистрибьюторами электронных компонентов, предоставляет возможность заказывать и получать с международных складов практически любой перечень компонентов в оптимальные для Вас сроки.

На всех этапах разработки и производства наши партнеры могут получить квалифицированную поддержку опытных инженеров.

Система менеджмента качества компании отвечает требованиям в соответствии с ГОСТ Р ИСО 9001, ГОСТ РВ 0015-002 и ЭС РД 009

### Офис по работе с юридическими лицами:

105318, г.Москва, ул.Щербаковская д.3, офис 1107, 1118, ДЦ «Щербаковский»

Телефон: +7 495 668-12-70 (многоканальный)

Факс: +7 495 668-12-70 (доб.304)

E-mail: [info@moschip.ru](mailto:info@moschip.ru)

Skype отдела продаж:

moschip.ru

moschip.ru\_4

moschip.ru\_6

moschip.ru\_9