

Red Spot fuse holders for BS88 HRC industrial fuses



Termination/Connection Styles:

- Front connected (20-400 A)
- Back stud connected (20-400 A)
- Front/back stud connected (20-400 A)
- Back stud connected, flush mounted (20 A)



Catalog symbol

- RS(amps)(connection style/color)

Description

Bussmann™ series Red Spot fuse holders are a range of CSA Certified IP20 finger-safe fuse holders for BS88 HRC industrial fuses in rating up to 400A.

Ratings

- Volts
 - 600 Vac/dc (CSA)
 - 690 Vac (IEC)
- Amps 20, 32, 63, 100, 200 and 400 A
- SCCR 80 kA

Maximum Operating Temperature: 40°C

Wire type 70°C PVC/Cu

Wire range 8 AWG to 500 kcmil(10 to 240 mm²)

Agency information

- CSA 22.2 No. 39, Class 6225 01, File 47235
- IEC 60269-1 and IEC 60269-2

Flammability rating

- RS20H to RS63H, V-1
- RS100H to RS400H, V-0

Protection level IP20

Available colors

- Black, white, green and grey (available colors vary by amp rating)

Features

- Industry standard fuse holder for protecting utility and industrial installations
- Large, proven contact system and anti-vibration feature helps ensure perfect carrier contact alignment and superior electrical contact
- Conductor insulating sleeves help prevent inadvertent contact at the entry point while fully shrouded terminals deliver IP20 protection
- Molded parts made from flame-retardant, non-hygroscopic, high dielectric strength phenolic material
- A broad range of accessories and Bussmann series fuses available for all Red Spot fuse holders

20 amp holders

| Catalog no. | Volts | | Conductor AWG (mm ²) | Termination/connection styles | Min. torque lb-in (N·m) | | Color | Bussmann series fuse family and amp range |
|-------------|---------|------------|----------------------------------|------------------------------------|-------------------------|-------------------|-------|---|
| | IEC Vac | CSA Vac/dc | | | Conductors | Fuse mount screws | | |
| RS20H | | | | | | | Black | |
| RS20HWH | | | | | | | White | |
| RS20HGN | | | 8-10 (10-2) | Front connected | 18 (2.03) | | Green | |
| RS20HGY | | | | | | | Grey | |
| RS20P/G | | | | | | | Black | |
| RS20P/GWH | | | † | Back stud connected | † | | White | |
| RS20P/GGN | 690 | 600 | | | | 11 (1.24) | Green | _CIF21 (1-20A) |
| RS20P/GGY | | | | | | | Grey | |
| RS20PH/G | | | 8-10 (10-2)† | Front/back stud connected | 18 (2.03)† | | Black | |
| RS20F | | | | | | | Black | |
| RS20FWH | | | | | | | White | |
| RS20FGN | | | † | Back stud connected, flush mounted | † | | Green | |
| RS20FGY | | | | | | | Grey | |

† Back stud connection requires use of customer supplied terminal lugs. Minimum/maximum conductor size and torque per terminal lug manufacturer.

Dimensions – mm



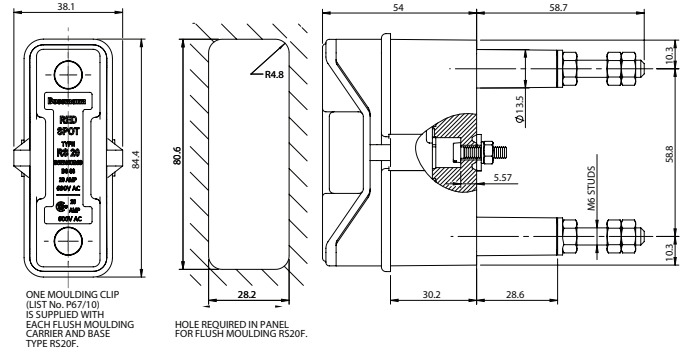
Front connected



Back stud connected



Front/back stud connected



Back stud connected, flush mounted

| Accessories | Catalog no. |
|----------------------|-------------|
| Padlockable inserts | RS20LOCK |
| Red warning carriers | RS20RED |

32 amp holders

| Catalog no. | Volts | | Conductor AWG (mm ²) | Termination/connection styles | Min. torque lb-in (N·m) | | Color | Bussmann series fuse family and amp range |
|-------------|---------|------------|----------------------------------|-------------------------------|-------------------------|-------------------|-------|--|
| | IEC Vac | CSA Vac/dc | | | Conductors | Fuse mount screws | | |
| RS32H | | | | | | | Black | |
| RS32HWH | | | 6-10 (16-5) | Front connected | 18 (2.03) | | White | |
| RS32HGN | | | | | | | Green | |
| RS32P | 690 | 600 | | | | 18 (2.03) | Black | _CIH07 (25-30 A) _H07C (25-30 A) CGL_ (1-30 A) |
| RS32PWH | | | † | Back stud connected | † | | White | |
| RS32PGN | | | | | | | Green | |
| RS32PH | | | 6-10 (16-5)† | Front/back stud connected | 18 (2.03)† | | Black | |

† Back stud connection requires use of customer supplied terminal lugs. Minimum/maximum conductor size and torque per terminal lug manufacturer.

Dimensions – mm



Front connected



Back stud connected



Front/back stud connected

| Accessories | Catalog no. | Use with GS fuse |
|------------------------|-------------|------------------|
| Padlockable inserts | RS32LOCK | — |
| Red warning carriers | RS32RED | — |
| Adaptors for GS fuses* | GRS32-A | GSA 5 to 20 A |

* One kit required per fuse.

63 amp holders

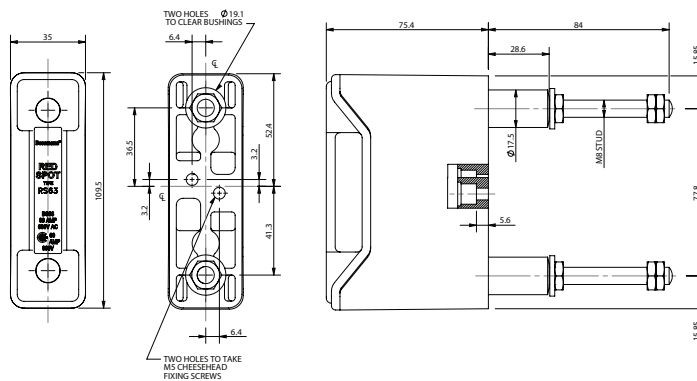
| Catalog no. | Volts | | Conductor AWG (mm ²) | Termination/connection styles | Min. torque lb-in (N·m) | | Color | Bussmann series fuse family and amp range |
|-------------|---------|------------|----------------------------------|-------------------------------|-------------------------|-------------------|-------|---|
| | IEC Vac | CSA Vac/dc | | | Conductors | Fuse mount screws | | |
| RS63H | | | 1-6 (50-13) | Front connected | 31 (3.50) | | Black | |
| RS63HWH | | | | | | | White | |
| RS63P | 690 | 600 | † | Back stud connected | † | 18 (2.03) | Black | _CIK07 (35-60 A) |
| RS63PWH | | | | | | | White | _K07C (40-60 A) |
| RS63PH | | | 1-6 (50-13)† | Front/back stud connected | 31 (3.50)† | | Black | CGL-_ (35-60 A) |
| RS63PHWH | | | | | | | White | |

† Back stud connection requires use of customer supplied terminal lugs. Minimum/maximum conductor size and torque per terminal lug manufacturer.

Dimensions – mm



Front connected



Back stud connected



Front/back stud connected

| Accessories | Catalog no. | Use with GS fuse |
|------------------------|-------------|------------------|
| Padlockable Inserts | RS63LOCK | — |
| Red Warning Carriers | RS63RED | — |
| Adaptors for GS Fuses* | GRS63-A | GSA 25 to 50A |

* One kit required per fuse.

100 amp holders

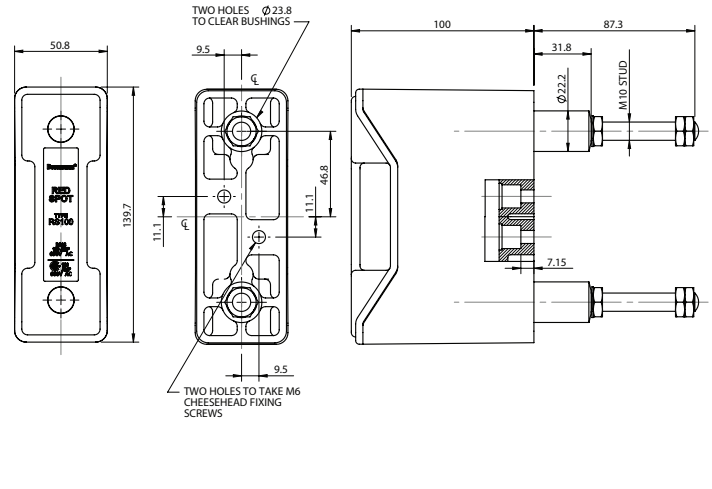
| Catalog no. | Volts | | Conductor AWG (mm ²) | Termination/connection styles | Min. torque lb-in (N·m) | | Color | Bussmann series fuse family and amp range |
|-------------|---------|------------|----------------------------------|-------------------------------|-------------------------|-------------------|-------|--|
| | IEC Vac | CSA Vac/dc | | | Conductors | Fuse mount screws | | |
| RS100H | | | 3/0-4 (70-21) | Front connected | 35 (3.95) | | Black | |
| RS100HWH | | | | | | | White | |
| RS100P | 690 | 600 | † | Back stud connected | †† | 22 (2.50) | Black | _CIL14 (80-100 A) _L14C (80-100 A) CGL_ (70-100 A) |
| RS100PWH | | | | | | | White | |
| RS100PH | | | 3/0-4 (70-21)† | Front/back stud connected | 35 (3.95)† | | Black | |

† Back stud connection requires use of customer supplied terminal lugs. Minimum/maximum conductor size and torque per terminal lug manufacturer.

Dimensions – mm



Front connected



Back stud connected



Front/back stud connected

| Accessories | Catalog no. | For Bussmann series fuses |
|----------------------|-------------|------------------------------------|
| Padlockable inserts | RS100LOCK | — |
| Red warning carriers | RS100RED | — |
| Fuse adaptor kits* | P5372-10 | _CIH07 (25-30A) _CIK07 (35-60A) |

* One kit required per fuse.

200 amp holders

| Catalog no. | Volts | | Conductor AWG (mm ²) | Termination/connection styles | Min. torque lb-in (N·m) | | Color | Bussmann series fuse family and amp range |
|-------------|---------|------------|----------------------------------|-------------------------------|-------------------------|-------------------|-------|---|
| | IEC Vac | CSA Vac/dc | | | Conductors | Fuse mount screws | | |
| RS200H | | | 250 kcmil-2/0 (120-67) | Front connected | 222 (25.08) | | Black | _M09C (125-200 A) CGL_ (110-200 A) |
| RS200HWH | | | | | | White | | |
| RS200P | 690 | 600 | † | Back stud connected | † | 22 (2.50) | Black | |
| RS200PWH | | | | | | White | | |
| RS200PH | | | 250 kcmil-2/0 (120-67)† | Front/back stud connected | 222 (25.08)† | | Black | |

† Back stud connection requires use of customer supplied terminal lugs. Minimum/maximum conductor size and torque per terminal lug manufacturer.

Dimensions – mm



Front connected

Back stud connected



Front/back stud connected

400 amp holders

| Catalog no. | Volts | | Conductor AWG (mm ²) | Termination/connection styles | Min. torque lb-in (N·m) | | Color | Bussmann series fuse family and amp range |
|-------------|---------|------------|----------------------------------|-------------------------------|-------------------------|-------------------|-------|---|
| | IEC Vac | CSA Vac/dc | | | Conductors | Fuse mount screws | | |
| RS400 | | | 500-250 kcmil (240-127) | Front connected | 222 (25.08) | | | |
| RS400P | 690 | 600 | † | Back stud connected | † | 53 (6.00) | Black | _P11C (250-400A) CGL_ (225-400A) |
| RS400PH | | | 500-250 kcmil (240-127)† | Front/back stud connected | 222 (25.08)† | | | |

† Back stud connection requires use of customer supplied terminal lugs. Minimum/maximum conductor size and torque per terminal lug manufacturer.

Dimensions – mm



Front connected

Back stud connected



Front/back stud connected

| Accessories | Catalog no. | For Bussmann series fuse |
|-------------------------------------|-------------|--------------------------|
| Adaptors for Bussmann series fuses* | TCA2 | _M09C (125-200A) |

* One kit required per fuse.

Red Spot holder accessories

Padlockable inserts



Padlockable Insert fits into fuse holder and accepts small padlock.

| Fuse holder | Catalog no. |
|-------------|-------------|
| RS20 | RS20LOCK |
| RS32 | RS32LOCK |
| RS63 | RS63LOCK |
| RS100 | RS100LOCK |

Fuse adaptor kits



Fuse adaptors mount on the fuse carrier to accept a smaller dimensioned fuse.

| Fuse holder | Catalog no.* | Use with Bussmann series fuse |
|-------------|--------------|------------------------------------|
| RS100 | P5372-10 | _CIH07 (25-30A) _CIK07 (35-60A) |
| RS400 | TCA2 | _MC09C (125-200A) |

* One kit required per fuse.

Red warning carriers



Red warning carriers replaces the regular fuse carrier and cannot hold a fuse.

| Fuse Holder | Catalog no. |
|-------------|-------------|
| RS20 | RS20RED |
| RS32 | RS32RED |
| RS63 | RS63RED |
| RS100 | RS100RED |

Adaptors for GS fuses



Adaptors for GS fuses mount on the fuse carrier to accept a smaller dimensioned fuse. Includes label to indicate use of GS fuse.

| Fuse holder | Catalog no.** | Use with GS fuse |
|-------------|---------------|------------------|
| RS32 | GRS32-A | GSA 5 to 20A |
| RS63 | GRS63-A | GSA 25 to 50A |

* One kit required per fuse.

The only controlled copy of this data sheet is the electronic read-only version located on the Eaton network drive. All other copies of this document are by definition uncontrolled. This bulletin is intended to clearly present comprehensive product data and provide technical information that will help the end user with design applications. Eaton reserves the right, without notice, to change design or construction of any products and to discontinue or limit distribution of any products. Eaton also reserves the right to change or update, without notice, any technical information contained in this bulletin. Once a product has been selected, it should be tested by the user in all possible applications.

Eaton
1000 Eaton Boulevard
Cleveland, OH 44122
United States
Eaton.com

Bussmann Division
114 Old State Road
Ellisville, MO 63021
United States
Eaton.com/bussmannseries

© 2018 Eaton
All Rights Reserved
Printed in USA
Publication No. 10083 - BU-MC13988
August 2018

Eaton, Bussmann, Quik-Spec and CUBEFuse are valuable trademarks of Eaton in the U.S. and other countries. You are not permitted to use the Eaton trademarks without prior written consent of Eaton.

CSA is a registered trademark of the Canadian Standards Group.
NEC is a registered trademark of the National Fire Protection Association, Inc.
UL is a registered trademark of the Underwriters Laboratories, Inc.

For Eaton's Bussmann series product information, call 1-855-287-7626 or visit: Eaton.com/bussmannseries

Follow us on social media to get the latest product and support information.



Данный компонент на территории Российской Федерации

Вы можете приобрести в компании MosChip.

Для оперативного оформления запроса Вам необходимо перейти по данной ссылке:

<http://moschip.ru/get-element>

Вы можете разместить у нас заказ для любого Вашего проекта, будь то серийное производство или разработка единичного прибора.

В нашем ассортименте представлены ведущие мировые производители активных и пассивных электронных компонентов.

Нашей специализацией является поставка электронной компонентной базы двойного назначения, продукции таких производителей как XILINX, Intel (ex.ALTERA), Vicor, Microchip, Texas Instruments, Analog Devices, Mini-Circuits, Amphenol, Glenair.

Сотрудничество с глобальными дистрибьюторами электронных компонентов, предоставляет возможность заказывать и получать с международных складов практически любой перечень компонентов в оптимальные для Вас сроки.

На всех этапах разработки и производства наши партнеры могут получить квалифицированную поддержку опытных инженеров.

Система менеджмента качества компании отвечает требованиям в соответствии с ГОСТ Р ИСО 9001, ГОСТ РВ 0015-002 и ЭС РД 009

Офис по работе с юридическими лицами:

105318, г.Москва, ул.Щербаковская д.3, офис 1107, 1118, ДЦ «Щербаковский»

Телефон: +7 495 668-12-70 (многоканальный)

Факс: +7 495 668-12-70 (доб.304)

E-mail: info@moschip.ru

Skype отдела продаж:

moschip.ru

moschip.ru_4

moschip.ru_6

moschip.ru_9