

Fuse Blocks and Clips

For 3AG Fuses

RoHS 3AG Screw Terminal Laminated Base Type



APPROVALS: 356 000 Series (250V) Recognized under the Components Program of Underwriters Laboratories.

SPECIFICATIONS:

Electrical: Rated for currents up to 15 amperes (units with spring brass clips) or up to 30 amperes (beryllium copper clips).

Clips: 356 000 Series: Nickel-plated spring brass.

359 000 Series: Silver-plated beryllium copper.

Terminals: 8-32THD screw type.

Base: Black phenolic laminate.

Mounting Hole: 3AG Block: Reference Dimensions
.142"/.147" diameter with .295"/.302"
x 82°C.S.

**ORDERING INFORMATION:
(Including Reference Dimensions)**

| No. of Poles | For 3AG Fuses | |
|--------------|---------------|-----------------|
| | Dimension "A" | Catalog Number |
| 1 | .78" | 356 001 359 001 |
| 2 | 1.69" | 356 002 359 002 |
| 3 | 2.59" | 356 003 359 003 |
| 4 | 3.50" | 356 004 359 004 |
| 5 | 4.41" | 356 005 359 005 |
| 6 | 5.31" | 356 006 359 006 |
| 7 | 6.21" | 356 007 359 007 |
| 8 | 7.12" | 356 008 359 008 |
| 9 | 8.03" | 356 009 359 009 |
| 10 | 8.94" | 356 010 359 010 |
| 11 | 9.84" | 356 011 359 011 |
| 12 | 10.75" | 356 012 359 012 |



C = Board Thickness E = Overall Height
356 000, 359 000 and 556 000 Series

REFERENCE DIMENSIONS:

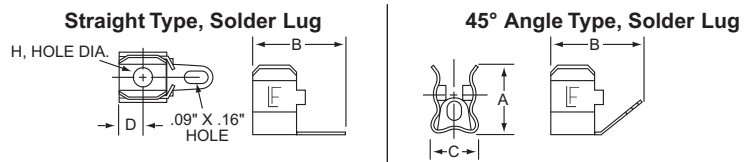
| Fuse Type | A | B | C | D | E |
|-----------|-----|-------|------|------|------|
| 3AG | See | 2.38" | .25" | .91" | .73" |

RoHS For 1/4" – 13/16" Diameter Fuses Rivet/Eyelet Mount Type



† See Ordering Information below.

RoHS For 1/4" Diameter Fuses Rivet/Eyelet Mount Solder Type



ORDERING INFORMATION:

| Style | Fuse Type | Catalog Number | | Fuse Diameter | A | B | C | D | H Diameter |
|---------------------|---------------|----------------------------|--------------------------------|---------------|-------|------|------|------|------------|
| | | Spring Brass Nickel-plated | Beryllium Copper Silver-plated | | | | | | |
| † Ear | 3AG | 101 001 | 121 001 | 1/4" | .48" | .31" | .30" | .16" | .131" |
| | Midget | 105 001 | 125 001 | 13/32" | .75" | .44" | .52" | .22" | .196" |
| | NEC 1–30 amp | 107 001 | 127 001 | 9/16" | .94" | .59" | .65" | .25" | .203" |
| | NEC 30–60 amp | 109 001** | 129 001 | 13/16" | 1.31" | .75" | .87" | .30" | .265" |
| † Earless | 3AG | 101 002 | 121 002 | 1/4" | .48" | .31" | .30" | .16" | .131" |
| | Midget | 105 002 | 125 002 | 13/32" | .75" | .44" | .52" | .22" | .196" |
| | NEC 1–30 amp | 107 002 | 127 002 | 9/16" | .94" | .59" | .65" | .25" | .203" |
| | NEC 30–60 amp | 109 002** | 129 002 | 13/16" | 1.31" | .75" | .87" | .30" | .265" |
| Solder Lug 45° | 3AG | 101 003* | 121 004 | 1/4" | .47" | .56" | .31" | .16" | .131" |
| Solder Lug Straight | 3AG | 102 064* | — | 1/4" | .47" | .64" | .31" | .16" | .131" |

*Tin-plated **Bare Phos. Bronze

Fuse Blocks and Clips

For 1/4 Diameter Fuses

RoHS **Pb** **Traditional** P.C. Board Type

ORDERING INFORMATION:

| Catalog Number | Clip Material* | Finish | Style |
|----------------|------------------|---------------|---------|
| 102 071 | Spring Brass | Tin-plated | Ear |
| 102 074 | Spring Brass | Tin-plated | Earless |
| 102 076 | Spring Brass | Hot Tin | Ear |
| 122 083 | Beryllium Copper | Silver-plated | Ear |
| 122 087 | Beryllium Copper | Silver-plated | Earless |
| 122 088 | Beryllium Copper | Tin-plated | Ear |
| 122 093 | Beryllium Copper | Tin-plated | Earless |



| Nominal Fuse Length | Length "A" |
|---------------------|------------|
| 5/8 | .750 |
| 3/4 | .875 |
| 7/8 | 1.000 |
| 1 | 1.125 |
| 1 1/16 | 1.187 |
| 1 1/4 | 1.347 |
| 1 7/16 | 1.562 |



RoHS **Pb** **Bowed Tab** P.C. Board Type

| Catalog Number | Clip Material* | Finish | Style |
|----------------|----------------|------------|---------|
| 102 078 | Spring Brass | Tin-plated | Earless |
| 102 079 | Spring Brass | Tin-plated | Ear |



| Nominal Fuse Length | Length "A" |
|---------------------|------------|
| 5/8 | .750 |
| 3/4 | .875 |
| 7/8 | 1.000 |
| 1 | 1.125 |
| 1 1/16 | 1.187 |
| 1 1/4 | 1.347 |
| 1 7/16 | 1.562 |



RoHS **Pb** **Low Profile** P.C. Board Type

| Catalog Number | Clip Material* | Finish | Style |
|----------------|------------------|---------------|-------|
| 102 080 | Spring Brass | Tin-plated | Ear |
| 122 090 | Beryllium Copper | Silver-plated | Ear |



| Nominal Fuse Length | Length "A" |
|---------------------|------------|
| 5/8 | .760 |
| 3/4 | .880 |
| 7/8 | 1.005 |
| 1 | 1.130 |
| 1 1/16 | 1.195 |
| 1 1/4 | 1.380 |
| 1 7/16 | 1.570 |



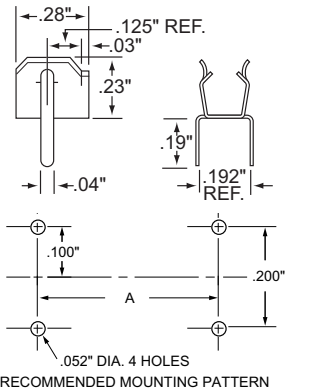
RoHS **Pb** **Low Profile** P.C. Board Type

| Catalog Number | Clip Material* | Finish | Style |
|----------------|----------------|------------|-------|
| 100 058 | Spring Brass | Tin-plated | Ear |

*NOTE: Spring brass clips are suitable for current levels up to 15 amperes; beryllium copper clips up to 30 amperes.



| Nominal Fuse Length | Length "A" |
|---------------------|------------|
| 1 | 0.781 |
| 1 1/4 | 1.035 |
| 1 7/16 | 1.250 |



Fuse Blocks and Clips

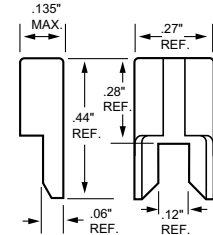
For Various Diameter Fuses

RoHS ATO® Fuse Clip P.C. Board Type

ORDERING INFORMATION:

| Catalog Number | Clip Material* | Finish |
|----------------|----------------|------------|
| 100 057 | Spring Brass | Tin-plated |

NOTE: #100 057 spring brass, tin-plated clips available for printed circuit board mounting. Suitable for current levels up to 15 amperes. First time fuse insertion force may approach 40 lbs.



RoHS For 2AG or 5mm Diameter Fuses P.C. Board Type

ORDERING INFORMATION:

| Catalog Number | Clip Material | Finish | Style |
|----------------|------------------|------------|---------------|
| 111 501 | Spring Brass | Tin-plated | Ear |
| 111 506 | Beryllium Copper | Tin-plated | Ear |
| 111 505 | Beryllium Copper | Tin-plated | Surface Mount |

NOTE: Suitable for current levels up to 10 amperes.

NOTE: Metric dimensions are shown. Inch dimensions are in parentheses.



| Table | A Dim. |
|-------|-------------|
| 2AG | 12.7 (.50") |
| 5x20 | 17.8 (.70") |



RoHS For 5mm Diameter Fuses P.C. Board Type

ORDERING INFORMATION:

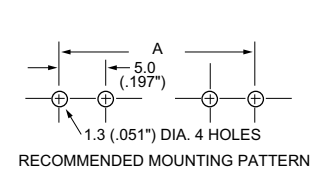
| Catalog Number | Clip Material | Finish | Style |
|----------------|---------------|---------------|-------|
| 100 054 | Spring Brass | Silver-plated | Ear |
| 100 056 | Spring Brass | Tin-plated | Ear |

NOTE: Spring brass clips are suitable for current levels up to 10 amperes.

NOTE: Metric dimensions are shown. Inch dimensions are in parentheses.



| Fuse Size | A Dim. |
|------------|---------------|
| 5mm x 20mm | 20.5 (.807") |
| 5mm x 25mm | 25.5 (1.004") |
| 5mm x 30mm | 31.0 (1.220") |



RoHS For 5mm Diameter Fuses P.C. Board Type

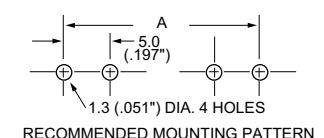
ORDERING INFORMATION:

| Catalog Number | Clip Material | Finish | Style |
|----------------|---------------|---------------|-------|
| 0445 0001 | Spring Brass | Tin-plated | Ear |
| 0030 0210 | Spring Brass | Nickel-plated | Ear |
| 0520 0001* | Spring Brass | Silver-plated | Ear |

NOTE: Spring brass clips are suitable for current levels up to 10 amperes.

* Item is UL Recognized

| Fuse Size | A Dim. |
|------------|---------------|
| 5mm x 20mm | 20.5 (.807") |
| 5mm x 25mm | 25.5 (1.004") |
| 5mm x 30mm | 31.0 (1.220") |



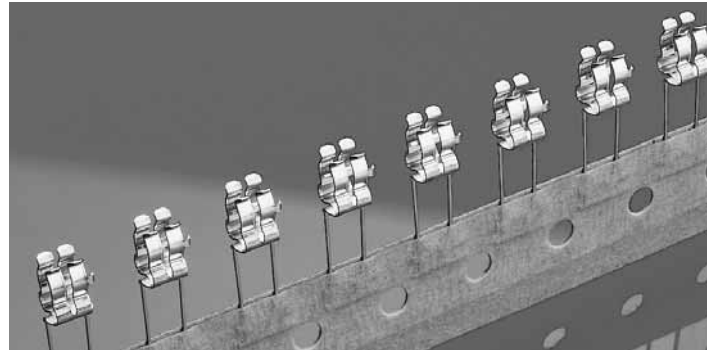
Fuse Blocks and Clips

RoHS For 5mm Diameter Fuses Automatic Insertion Type

ORDERING INFORMATION:

| Catalog Number | Clip Material | Finish | Style |
|----------------|-----------------|------------|-------|
| 0111 0005MR | Phosphor Bronze | Tin-plated | Ear |

Ammo Pack 1000 Pcs.



NOTE: #0111 005 phosphor bronze, tin-plated clips designed for automatic insertion are suitable for current levels up to 10 amperes.

RoHS For Midget Fuses (13/32") PC Board Mount



ELECTRICAL SPECIFICATIONS: 15A at 250VAC



ORDERING INFORMATION:

| Catalog Number | Clip Material | Finish | Style | Amp Rating | Voltage Rating |
|----------------|------------------|------------|-------|------------|----------------|
| 0105 0003 | Spring Brass | Tin-plated | Ear | 15A | 250VAC |
| 0125 0003 | Beryllium Copper | Tin-plated | Ear | 30A | 250VAC |

Данный компонент на территории Российской Федерации

Вы можете приобрести в компании MosChip.

Для оперативного оформления запроса Вам необходимо перейти по данной ссылке:

<http://moschip.ru/get-element>

Вы можете разместить у нас заказ для любого Вашего проекта, будь то серийное производство или разработка единичного прибора.

В нашем ассортименте представлены ведущие мировые производители активных и пассивных электронных компонентов.

Нашей специализацией является поставка электронной компонентной базы двойного назначения, продукции таких производителей как XILINX, Intel (ex.ALTERA), Vicor, Microchip, Texas Instruments, Analog Devices, Mini-Circuits, Amphenol, Glenair.

Сотрудничество с глобальными дистрибьюторами электронных компонентов, предоставляет возможность заказывать и получать с международных складов практически любой перечень компонентов в оптимальные для Вас сроки.

На всех этапах разработки и производства наши партнеры могут получить квалифицированную поддержку опытных инженеров.

Система менеджмента качества компании отвечает требованиям в соответствии с ГОСТ Р ИСО 9001, ГОСТ РВ 0015-002 и ЭС РД 009

Офис по работе с юридическими лицами:

105318, г.Москва, ул.Щербаковская д.3, офис 1107, 1118, ДЦ «Щербаковский»

Телефон: +7 495 668-12-70 (многоканальный)

Факс: +7 495 668-12-70 (доб.304)

E-mail: info@moschip.ru

Skype отдела продаж:

moschip.ru

moschip.ru_4

moschip.ru_6

moschip.ru_9