

EAO – Your Expert Partner for
Human Machine Interfaces



EAO Product Information

Series 14

e a o ■



| | |
|-------------------------------|----|
| Description | 3 |
| Product Assembly | 4 |
| Devices raised mounting | 6 |
| Devices flush mounting | 13 |
| Accessories..... | 17 |
| Technical Data..... | 27 |
| Typical Applications | 30 |
| Application guidelines..... | 31 |
| Marking | 32 |
| Drawings..... | 36 |
| Index..... | 56 |

Product Information

General notes

The Series 14 illuminated pushbuttons combine the robust actuators of the Series 04 with choice of either snap-action switching elements with gold plated silver contacts for one changeover only.

These pushbuttons have an IP 67 proof front (temporary emersion) and can be immersed to a depth of one metre.

The range includes pushbuttons, keylock switches and selector switches.

Anodized aluminium parts can have visible variations due production-technical reasons.

Mounting

Mounted from the front through either 22.5 mm dia cut out for raised or 30.5 mm dia for flush.

The pushbuttons are secured to the panel by means of a fixing ring/ nut and prevented from twisting by two screws.

To ensure correct positioning of the pushbuttons we can provide a positioning insert if required.

The Low Level switching elements with universal terminals allow them to PCB mounted. These terminals are also suitable for dip soldering. A plug-in base is available, which when soldered to the board allows the switch to be easily plugged-in.

Lenses

Lenses of transparent plastic or aluminium are available in various standard colours.

Marking

For further information about engraving, hot stamping and film inserts see part Marking.

Illumination

The T5.5 incandescent (filament) lamp (6, 12, 24, 28, 30, 36, 48 V) ensures perfect illumination of the lenses, which are supplied in various colours.

T5.5 Single-Chip LED (6, 12, 24, 28, 48 V) are also available in blue, green, red, white or yellow.

Do not solder the terminals directly, because of the high surface temperature.

Luminosity and wave length scattering caused by the technology used in the LED manufacturing processes may lead to visual differences in our products.

Position indication

The status of a maintained action switch can be determined by the position of the lens.

Keylock switch

Single locks (2 positions).

There are 10 different locks with standard numbers 1001 ... 1010. If the lock number is not specified, we will supply standard number 1001.

Additional lock numbers are available on request.

Two keys are supplied with each keylock switch.

Spare keys for standard locks may be ordered by quoting Typ-Nr.

14-987 (please state the lock number).

Specimen order

Illuminated pushbutton :

- Illuminated pushbutton actuator, 29 mm dia., snap-action switching element, 1NC + 1 NO, momentary action, soldering terminal 14-131.0252

Essential accessories :

- Lens plastic red 704.602.2
- Marking plate white translucent 704.609.9
- Front ring aluminium natural 704.600.1
- Single-LED, T5.5, 12 VAC/DC, white 10-2109.1069

*We reserve the right to modify technical data
All dimensions in mm*

Illuminated pushbutton, raised mounting



- 1 Front ring
- 2 Lens
- 3 Marking plate
- 4 LED
- 5 Actuator housing with switching element
- 6 Front plate
- 7 Fixing nut

Illuminated pushbutton, flush mounting



- 1 Front bezel set, flush mounting
- 2 Lens
- 3 Marking plate
- 4 LED
- 5 Actuator housing with switching element
- 6 Front panel
- 7 Pressure ring
- 8 Fixing nut

Keylock switch, raised mounting



- 1 Front ring
- 2 Actuator housing with switching element
- 3 Front plate
- 4 Fixing nut

Selector switch, flush mounting



- 1 Front ring
- 2 Actuator housing with switching element
- 3 Front plate
- 4 Anti-twist ring
- 5 Pressure ring
- 6 Fixing nut

Indicator actuator full face illumination



Essential Accessories:

- Lens cap page 18
- Marking cap for Lens cap page 19
- Single-LED page 24

| | Front protection | Diode (1N 4007) | Terminals | Ø 29 mm Typ-Nr. | Component layout | Mounting dimensions | Technical drawing | Circuit drawing | |
|--|------------------|-----------------|-----------|--------------------|------------------|---------------------|-------------------|-----------------|-------|
| Indicator actuator full face illumination | IP 67 | 1 D | UT | 14-741.006 | 2 | 5 | 17 | 56 | 0.011 |
| | | 2 D | UT | 14-742.006 | 2 | 5 | 17 | 57 | 0.011 |
| | - | S | | 14-030.005 | | 5 | 17 | 3 | 0.010 |
| | | S1 | | 14-030.002 | | 5 | 17 | 3 | 0.010 |
| | | UT | | 14-031.006 | 2 | 5 | 17 | 2 | 0.011 |

Diode (1N 4007): D = Diode, - = without

Terminals: UT = Universal terminal, S = Soldering terminal, S1 = Soldering terminal (also pluggable 2.8 x 0.5 mm)

Component layout from page 36, Mounting dimensions from page 37, Technical drawing from page 38, Circuit drawing from page 48

Indicator actuator front illumination



Essential Accessories:

- Front ring page 19
- Lens plastic page 17
- Marking plate for Lens plastic and metal page 18
- Single-LED page 24

| | Front protection | Terminals | Ø 29 mm Typ-Nr. | Component layout | Mounting dimensions | Technical drawing | Circuit drawing | |
|--|------------------|-----------|--------------------|------------------|---------------------|-------------------|-----------------|-------|
| Indicator actuator front illumination | IP 67 | S | 14-040.005 | | 5 | 19 | 3 | 0.050 |
| | | S1 | 14-040.002 | | 5 | 19 | 3 | 0.050 |
| | | UT | 14-041.006 | 2 | 5 | 19 | 2 | 0.050 |

Terminals: S = Soldering terminal, S1 = Soldering terminal (also pluggable 2.8 x 0.5 mm), UT = Universal terminal

Component layout from page 36, Mounting dimensions from page 37, Technical drawing from page 38, Circuit drawing from page 48

Buzzer



| | Front protection | Front cap | Terminals | Ø 29 mm Typ-Nr. | Mounting dimensions | Technical drawing | Circuit drawing | |
|---|------------------|---------------------|-----------|--------------------|---------------------|-------------------|-----------------|-------|
| Buzzer Operation voltage 24 VDC | IP 65 | Brass nickel-plated | S1 | 14-810.902 | 5 | 1 | 1 | 0.016 |
| | | Plastic black | S1 | 14-810.002 | 5 | 1 | 1 | 0.016 |

Further information in the Technical Data and Typical Applications

Terminals: S1 = Soldering terminal (also pluggable 2.8 x 0.5 mm)

Mounting dimensions from page 37, Technical drawing from page 38, Circuit drawing from page 48

Illuminated actuator pushbutton



Essential Accessories:

- Front ring page 19
- Lens plastic page 17
- Marking plate for Lens plastic and metal page 18
- Single-LED page 24

| | Front protection | Switching system | Contacts | Diode (1N 4007) | Switching action | Terminals | Ø 29 mm Typ-Nr. | Component layout | Mounting dimensions | Technical drawing | Circuit drawing | | |
|--|------------------|------------------|-------------|--------------------|--------------------|-------------------|--------------------|--------------------|---------------------|-------------------|-----------------|-------|-------|
| Illuminated actuator pushbutton | IP 67 | LL | 1 NC | - | MA | UT | 14-476.036 | 2 | 5 | 20 | 12 | 0.015 | |
| | | | | | M | UT | 14-436.036 | 2 | 5 | 20 | 39 | 0.015 | |
| | | | 1 NC + 1 NO | - | MA | UT | 14-473.036 | 2 | 5 | 20 | 15 | 0.015 | |
| | | | | | M | UT | 14-433.036 | 2 | 5 | 20 | 42 | 0.015 | |
| | | | 1 NO | - | MA | UT | 14-475.036 | 2 | 5 | 20 | 14 | 0.015 | |
| | | | | | M | UT | 14-435.036 | 2 | 5 | 20 | 41 | 0.015 | |
| | | | 2 NC | - | MA | UT | 14-472.036 | 2 | 5 | 20 | 13 | 0.015 | |
| | | | | | M | UT | 14-432.036 | 2 | 5 | 20 | 40 | 0.015 | |
| | | | 2 NO | - | MA | UT | 14-471.036 | 2 | 5 | 20 | 16 | 0.015 | |
| | | | | | M | UT | 14-431.036 | 2 | 5 | 20 | 43 | 0.015 | |
| | | | SA | 1 NC + 1 NO | 1 D | MA | UT | 14-747.0292 | 2 | 5 | 20 | 9 | 0.014 |
| | | | | | | M | UT | 14-743.0292 | 2 | 5 | 20 | 36 | 0.014 |
| | | 2 D | | | MA | UT | 14-748.0292 | 2 | 5 | 20 | 10 | 0.014 | |
| | | | | | M | UT | 14-744.0292 | 2 | 5 | 20 | 37 | 0.014 | |
| | | - | | | MA | S | 14-271.0252 | | 5 | 20 | 11 | 0.013 | |
| | | | | | S1 | 14-271.022 | | 5 | 20 | 11 | 0.013 | | |
| | | | | | M | S | 14-131.0252 | | 5 | 20 | 38 | 0.013 | |
| | | | | | S1 | 14-131.022 | | 5 | 20 | 38 | 0.013 | | |
| | | 2 NC + 2 NO | | | 1 D | MA | UT | 14-749.0292 | 2 | 5 | 20 | 6 | 0.016 |
| | | | | | | M | UT | 14-745.0292 | 2 | 5 | 20 | 33 | 0.016 |
| | | | | | 2 D | MA | UT | 14-750.0292 | 2 | 5 | 20 | 7 | 0.016 |
| | | | | | | M | UT | 14-746.0292 | 2 | 5 | 20 | 34 | 0.016 |
| | | - | MA | S | 14-272.0252 | | 5 | 20 | 8 | 0.015 | | | |
| | | | M | S | 14-132.0252 | | 5 | 20 | 35 | 0.015 | | | |
| 3 NC + 3 NO | - | MA | S | 14-273.0252 | | 5 | 20 | 5 | 0.017 | | | | |
| | | M | S | 14-133.0252 | | 5 | 20 | 32 | 0.017 | | | | |
| 4 NC + 4 NO | - | MA | S | 14-274.0252 | | 5 | 20 | 4 | 0.019 | | | | |
| | | M | S | 14-134.0252 | | 5 | 20 | 31 | 0.019 | | | | |

Switching system: LL = Low level switching element, SA = Snap-action switching element

Contacts: NC = Normally closed, NO = Normally open

Diode (1N 4007): - = without, D = Diode

Switching action: MA = Maintained action, M = Momentary action

Terminals: UT = Universal terminal, S = Soldering terminal, S1 = Soldering terminal (also pluggable 2.8 x 0.5 mm)

Component layout from page 36, Mounting dimensions from page 37, Technical drawing from page 38, Circuit drawing from page 48

Mushroom-head actuator pushbutton



Essential Accessories:

-  Front ring page 19
-  Marking plate for Mushroom-head cap page 18
-  Mushroom-head cap page 18

| | Front protection | Switching system | Contacts | Switching action | Terminals | Ø 40 mm Typ-Nr. | Component layout | Mounting dimensions | Technical drawing | Circuit drawing |  | |
|--|------------------|------------------|-------------|------------------|-----------|--------------------|--------------------|---------------------|-------------------|-----------------|---|-------|
| Mushroom-head actuator pushbutton | IP 67 | LL | 1 NC | MA | UT | 14-476.036 | 2 | 2 | 18 | 12 | 0.015 | |
| | | | | M | UT | 14-436.036 | 2 | 2 | 18 | 39 | 0.015 | |
| | | | 1 NC + 1 NO | MA | UT | 14-473.036 | 2 | 2 | 18 | 15 | 0.015 | |
| | | | | M | UT | 14-433.036 | 2 | 2 | 18 | 42 | 0.015 | |
| | | | 1 NO | MA | UT | 14-475.036 | 2 | 2 | 18 | 14 | 0.015 | |
| | | | | M | UT | 14-435.036 | 2 | 2 | 18 | 41 | 0.015 | |
| | | | 2 NC | MA | UT | 14-472.036 | 2 | 2 | 18 | 13 | 0.015 | |
| | | | | M | UT | 14-432.036 | 2 | 2 | 18 | 40 | 0.015 | |
| | | | 2 NO | MA | UT | 14-471.036 | 2 | 2 | 18 | 16 | 0.015 | |
| | | | | M | UT | 14-431.036 | 2 | 2 | 18 | 43 | 0.015 | |
| | | | SA | 1 NC + 1 NO | MA | S | 14-271.0252 | | 2 | 18 | 11 | 0.013 |
| | | | | | | S1 | 14-271.022 | | 2 | 18 | 11 | 0.013 |
| | | M | | | S | 14-131.0252 | | 2 | 18 | 38 | 0.013 | |
| | | | | | S1 | 14-131.022 | | 2 | 18 | 38 | 0.013 | |
| | | 2 NC + 2 NO | | MA | S | 14-272.0252 | | 2 | 18 | 8 | 0.015 | |
| | | | | M | S | 14-132.0252 | | 2 | 18 | 35 | 0.015 | |
| | | 3 NC + 3 NO | | MA | S | 14-273.0252 | | 2 | 18 | 5 | 0.017 | |
| | | | | M | S | 14-133.0252 | | 2 | 18 | 32 | 0.017 | |
| | | 4 NC + 4 NO | | MA | S | 14-274.0252 | | 2 | 18 | 4 | 0.019 | |
| | | | | M | S | 14-134.0252 | | 2 | 18 | 31 | 0.019 | |

Switching system: LL = Low level switching element, SA = Snap-action switching element

Contacts: NC = Normally closed, NO = Normally open

Switching action: MA = Maintained action, M = Momentary action

Terminals: UT = Universal terminal, S = Soldering terminal, S1 = Soldering terminal (also pluggable 2.8 x 0.5 mm)

Component layout from page 36, Mounting dimensions from page 37, Technical drawing from page 38, Circuit drawing from page 48

Illuminated mushroom-head actuator pushbutton



Essential Accessories:

-  Front ring page 19
-  Marking plate for Mushroom-head cap page 18
-  Mushroom-head cap illuminated page 18
-  Single-LED page 24

| | Front protection | Switching system | Contacts | Diode (1N 4007) | Switching action | Terminals | Ø 40 mm Typ-Nr. | Component layout | Mounting dimensions | Technical drawing | Circuit drawing | | |
|--|------------------|------------------|-------------|-----------------|-------------------|--------------------|--------------------|--------------------|---------------------|-------------------|-----------------|-------|-------|
| Illuminated mushroom-head actuator pushbutton | IP 67 | LL | 1 NC | - | MA | UT | 14-476.036 | 2 | 2 | 18 | 12 | 0.015 | |
| | | | | | M | UT | 14-436.036 | 2 | 2 | 18 | 39 | 0.015 | |
| | | | 1 NC + 1 NO | - | MA | UT | 14-473.036 | 2 | 2 | 18 | 15 | 0.015 | |
| | | | | | M | UT | 14-433.036 | 2 | 2 | 18 | 42 | 0.015 | |
| | | | 1 NO | - | MA | UT | 14-475.036 | 2 | 2 | 18 | 14 | 0.015 | |
| | | | | | M | UT | 14-435.036 | 2 | 2 | 18 | 41 | 0.015 | |
| | | | 2 NC | - | MA | UT | 14-472.036 | 2 | 2 | 18 | 13 | 0.015 | |
| | | | | | M | UT | 14-432.036 | 2 | 2 | 18 | 40 | 0.015 | |
| | | | 2 NO | - | MA | UT | 14-471.036 | 2 | 2 | 18 | 16 | 0.015 | |
| | | | | | M | UT | 14-431.036 | 2 | 2 | 18 | 43 | 0.015 | |
| | | | | | | | | | | | | | |
| | | | SA | 1 NC + 1 NO | 1 D | MA | UT | 14-747.0292 | 2 | 2 | 18 | 9 | 0.014 |
| | | | | | | M | UT | 14-743.0292 | 2 | 2 | 18 | 36 | 0.014 |
| | | | | | 2 D | MA | UT | 14-748.0292 | 2 | 2 | 18 | 10 | 0.014 |
| | | | | | | M | UT | 14-744.0292 | 2 | 2 | 18 | 37 | 0.014 |
| | | - | | | MA | S | 14-271.0252 | | 2 | 18 | 11 | 0.013 | |
| | | | | | | S1 | 14-271.022 | | 2 | 18 | 11 | 0.013 | |
| | | | | M | S | 14-131.0252 | | 2 | 18 | 38 | 0.013 | | |
| | | | | S1 | 14-131.022 | | 2 | 18 | 38 | 0.013 | | | |
| | | 2 NC + 2 NO | | 1 D | MA | UT | 14-749.0292 | 2 | 2 | 18 | 6 | 0.016 | |
| | | | | | M | UT | 14-745.0292 | 2 | 2 | 18 | 33 | 0.016 | |
| | | | | 2 D | MA | UT | 14-750.0292 | 2 | 2 | 18 | 7 | 0.016 | |
| | | | | | M | UT | 14-746.0292 | 2 | 2 | 18 | 34 | 0.016 | |
| | | | | - | MA | S | 14-272.0252 | | 2 | 18 | 8 | 0.015 | |
| | | | | | M | S | 14-132.0252 | | 2 | 18 | 35 | 0.015 | |
| | | 3 NC + 3 NO | | - | MA | S | 14-273.0252 | | 2 | 18 | 5 | 0.017 | |
| | | | | M | S | 14-133.0252 | | 2 | 18 | 32 | 0.017 | | |
| | | 4 NC + 4 NO | - | MA | S | 14-274.0252 | | 2 | 18 | 4 | 0.019 | | |
| | | | | M | S | 14-134.0252 | | 2 | 18 | 31 | 0.019 | | |

Switching system: LL = Low level switching element, SA = Snap-action switching element

Contacts: NC = Normally closed, NO = Normally open

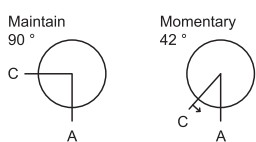
Diode (1N 4007): - = without, D = Diode

Switching action: MA = Maintained action, M = Momentary action

Terminals: UT = Universal terminal, S = Soldering terminal, S1 = Soldering terminal (also pluggable 2.8 x 0.5 mm)

Component layout from page 36, Mounting dimensions from page 37, Technical drawing from page 38, Circuit drawing from page 48

Keylock switch 2 positions



| | Front protection | Front ring | Switching system | Contacts | Switching action | Terminals | Key remove | Ø 29 mm Typ-Nr. | Component layout | Mounting dimensions | Technical drawing | Circuit drawing | |
|--|------------------|-------------------|------------------|---------------------|------------------|-----------|-------------|---------------------|------------------|---------------------|---------------------|-----------------|-------|
| Keylock switch 2 positions Position A : Basic position Position C : Maintained action Standard lock 1001, Front : Plastic black | IP 65 | Aluminium natural | LL | 1 NC + 1 NO | MA | UT | A | 14-415.036K | 2 | 5 | 21 | 54 | 0.030 |
| | | | | | | | C | 14-418.036K | 2 | 5 | 21 | 54 | 0.030 |
| | | | | | | | C + A | 14-412.036K | 2 | 5 | 21 | 54 | 0.030 |
| | | | | 2 NO | MA | UT | A | 14-414.036K | 2 | 5 | 21 | 55 | 0.030 |
| | | | | | | | C | 14-417.036K | 2 | 5 | 21 | 55 | 0.030 |
| | | | | | | | C + A | 14-411.036K | 2 | 5 | 21 | 55 | 0.030 |
| | | | SA | 1 NC + 1 NO | MA | S | A | 14-235.025K2 | | 5 | 21 | 50 | 0.029 |
| | | | | | | | C | 14-335.025K2 | | 5 | 21 | 50 | 0.029 |
| | | | | | | | C + A | 14-135.025K2 | | 5 | 21 | 50 | 0.029 |
| | | | | | | S1 | A | 14-235.022K | | 5 | 21 | 50 | 0.029 |
| | | | | | | | C | 14-335.022K | | 5 | 21 | 50 | 0.029 |
| | | | | | | | C + A | 14-135.022K | | 5 | 21 | 50 | 0.029 |
| | | | | 2 NC + 2 NO | MA | S | A | 14-236.025K2 | | 5 | 21 | 51 | 0.031 |
| | | | | | | | C | 14-336.025K2 | | 5 | 21 | 51 | 0.031 |
| | | | | | | | C + A | 14-136.025K2 | | 5 | 21 | 51 | 0.031 |
| | | | | 3 NC + 3 NO | MA | S | A | 14-237.025K2 | | 5 | 21 | 52 | 0.033 |
| | | | | | | | C | 14-337.025K2 | | 5 | 21 | 52 | 0.033 |
| | | | | | | | C + A | 14-137.025K2 | | 5 | 21 | 52 | 0.033 |
| 4 NC + 4 NO | MA | S | A | 14-238.025K2 | | 5 | 21 | 53 | 0.035 | | | | |
| | | | C | 14-338.025K2 | | 5 | 21 | 53 | 0.035 | | | | |
| | | | C + A | 14-138.025K2 | | 5 | 21 | 53 | 0.035 | | | | |
| Position A : Basic position Position C : Momentary action Standard lock 1001 Front : Plastic black | IP 65 | Aluminium natural | LL | 1 NC + 1 NO | M | UT | A | 14-438.036K | 2 | 5 | 21 | 48 | 0.030 |
| | | | | | | | | 14-437.036K | 2 | 5 | 21 | 49 | 0.030 |
| | | | SA | 1 NC + 1 NO | M | S | A | 14-141.025K2 | | 5 | 21 | 44 | 0.029 |
| | | | | | | | S1 | 14-141.022K | | 5 | 21 | 44 | 0.029 |
| | | | | 2 NC + 2 NO | M | S | A | 14-142.025K2 | | 5 | 21 | 45 | 0.031 |
| | | | | | | | 3 NC + 3 NO | M | S | A | 14-143.025K2 | | 5 |
| 4 NC + 4 NO | M | S | A | 14-144.025K2 | | 5 | 21 | | | 47 | 0.035 | | |

Keylock switches are supplied with 2 keys.

Other lock numbers on request

Switching system: LL = Low level switching element, SA = Snap-action switching element

Contacts: NC = Normally closed, NO = Normally open

Switching action: MA = Maintained action, M = Momentary action

Terminals: UT = Universal terminal, S = Soldering terminal, S1 = Soldering terminal (also pluggable 2.8 x 0.5 mm)

Component layout from page 36, Mounting dimensions from page 37, Technical drawing from page 38, Circuit drawing from page 48

Selector switch 2 positions

non-illuminative



| | Front protection | Front ring | Lever | Switching system | Contacts | Switching action | Terminals | Ø 29 mm Typ-Nr. | Component layout | Mounting dimensions | Technical drawing | Circuit drawing | E-1 |
|---|------------------|-------------------|---------------------|------------------|--------------|------------------|--------------|--------------------|------------------|---------------------|-------------------|-----------------|-------|
| | | | | | | | | | | | | | |
| Selector switch 2 positions Position A : Basic position | IP 67 | Aluminium natural | Plastic black long | LL | 1 NC + 1 NO | MA | UT | 14-572.0360 | 2 | 5 | 22 | 29 | 0.025 |
| | | | | | | M | UT | 14-567.0360 | 2 | 5 | 22 | 22 | 0.025 |
| | | | | | 2 NC | MA | UT | 14-571.0360 | 2 | 5 | 22 | 28 | 0.025 |
| | | | | | | M | UT | 14-566.0360 | 2 | 5 | 22 | 21 | 0.025 |
| | | | | | 2 NO | MA | UT | 14-570.0360 | 2 | 5 | 22 | 30 | 0.025 |
| | | | | | | M | UT | 14-565.0360 | 2 | 5 | 22 | 23 | 0.025 |
| | | | | SA | 1 NC + 1 NO | MA | S | 14-556.02502 | | 5 | 22 | 24 | 0.024 |
| | | | | | | S1 | 14-556.0220 | | 5 | 22 | 24 | 0.024 | |
| | | | | | M | S | 14-551.02502 | | 5 | 22 | 17 | 0.024 | |
| | | | | | | S1 | 14-551.0220 | | 5 | 22 | 17 | 0.024 | |
| | | | | | 2 NC + 2 NO | MA | S | 14-557.02502 | | 5 | 22 | 25 | 0.026 |
| | | | | | | M | S | 14-552.02502 | | 5 | 22 | 18 | 0.026 |
| | | | 3 NC + 3 NO | MA | S | 14-558.02502 | | 5 | 22 | 26 | 0.028 | | |
| | | | | M | S | 14-553.02502 | | 5 | 22 | 19 | 0.028 | | |
| | | | 4 NC + 4 NO | MA | S | 14-559.02502 | | 5 | 22 | 27 | 0.030 | | |
| | | | | M | S | 14-554.02502 | | 5 | 22 | 20 | 0.030 | | |
| | | | Plastic black short | LL | 1 NC + 1 NO | MA | UT | 14-522.0360 | 2 | 5 | 23 | 29 | 0.025 |
| | | | | | | M | UT | 14-517.0360 | 2 | 5 | 23 | 22 | 0.025 |
| | | | | | 2 NC | MA | UT | 14-521.0360 | 2 | 5 | 23 | 28 | 0.025 |
| | | | | | | M | UT | 14-516.0360 | 2 | 5 | 23 | 21 | 0.025 |
| | | | | | 2 NO | MA | UT | 14-520.0360 | 2 | 5 | 23 | 30 | 0.025 |
| | | | | | | M | UT | 14-515.0360 | 2 | 5 | 23 | 23 | 0.025 |
| | | | | SA | 1 NC + 1 NO | MA | S | 14-506.02502 | | 5 | 23 | 24 | 0.024 |
| | | | | | | S1 | 14-506.0220 | | 5 | 23 | 24 | 0.024 | |
| M | S | 14-501.02502 | | | | 5 | 23 | 17 | 0.024 | | | | |
| | S1 | 14-501.0220 | | | | 5 | 23 | 17 | 0.024 | | | | |
| 2 NC + 2 NO | MA | S | | | 14-507.02502 | | 5 | 23 | 25 | 0.026 | | | |
| | M | S | | | 14-502.02502 | | 5 | 23 | 18 | 0.026 | | | |
| 3 NC + 3 NO | MA | S | 14-508.02502 | | 5 | 23 | 26 | 0.028 | | | | | |
| | M | S | 14-503.02502 | | 5 | 23 | 19 | 0.028 | | | | | |
| 4 NC + 4 NO | MA | S | 14-509.02502 | | 5 | 23 | 27 | 0.030 | | | | | |
| | M | S | 14-504.02502 | | 5 | 23 | 20 | 0.030 | | | | | |

Switching system: LL = Low level switching element, SA = Snap-action switching element

Contacts: NC = Normally closed, NO = Normally open

Switching action: MA = Maintained action, M = Momentary action

Terminals: UT = Universal terminal, S = Soldering terminal, S1 = Soldering terminal (also pluggable 2.8 x 0.5 mm)

Component layout from page 36, Mounting dimensions from page 37, Technical drawing from page 38, Circuit drawing from page 48

Indicator actuator, flush mounting



Essential Accessories:

-  Front bezel set, flush mounting page 20
-  Lens plastic page 17
-  Marking plate for Lens plastic and metal page 18
-  Single-LED page 24

| | Front protection | Terminals | Ø 35 mm Typ-Nr. | Component layout | Mounting dimensions | Technical drawing | Circuit drawing | |
|---|------------------|-----------|--------------------|------------------|---------------------|-------------------|-----------------|-------|
| Indicator actuator, flush mounting | IP 67 | S | 14-040.005 | | 1 | 24 | 3 | 0.050 |
| | | S1 | 14-040.002 | | 1 | 24 | 3 | 0.050 |
| | | UT | 14-041.006 | 2 | 1 | 24 | 2 | 0.050 |

Terminals: S = Soldering terminal, S1 = Soldering terminal (also pluggable 2.8 x 0.5 mm), UT = Universal terminal

Component layout from page 36, Mounting dimensions from page 37, Technical drawing from page 38, Circuit drawing from page 48

Buzzer, flush mounting



| | Front protection | Front cap | Terminals | Ø 35 mm Typ-Nr. | Mounting dimensions | Technical drawing | Circuit drawing | |
|---|------------------|-------------------|-----------|--------------------|---------------------|-------------------|-----------------|-------|
| Buzzer, flush mounting Operation voltage : 24 VDC | IP 40 | Aluminium black | S1 | 14-810.910 | 1 | 16 | 1 | 0.016 |
| | | Aluminium natural | S1 | 14-810.918 | 1 | 16 | 1 | 0.016 |

Further information in the Technical Data and Typical Applications

Terminals: S1 = Soldering terminal (also pluggable 2.8 x 0.5 mm)

Mounting dimensions from page 37, Technical drawing from page 38, Circuit drawing from page 48

Illuminated pushbutton actuator, flush mounting



Essential Accessories:

- Front bezel set, flush mounting page 20
- Lens plastic page 17
- Marking plate for Lens plastic and metal page 18
- Single-LED page 24

| | Front protection | Switching system | Contacts | Diode (1N 4007) | Switching action | Terminals | Ø 35 mm Typ-Nr. | Component layout | Mounting dimensions | Technical drawing | Circuit drawing | | |
|--|------------------|------------------|-------------|-----------------|------------------|--------------------|--------------------|--------------------|---------------------|-------------------|-----------------|-------|-------|
| Illuminated pushbutton actuator, flush mounting | IP 67 | LL | 1 NC | - | MA | UT | 14-476.036 | 2 | 1 | 25 | 12 | 0.015 | |
| | | | | | M | UT | 14-436.036 | 2 | 1 | 25 | 39 | 0.015 | |
| | | | 1 NC + 1 NO | - | MA | UT | 14-473.036 | 2 | 1 | 25 | 15 | 0.015 | |
| | | | | | M | UT | 14-433.036 | 2 | 1 | 25 | 42 | 0.015 | |
| | | | 1 NO | - | MA | UT | 14-475.036 | 2 | 1 | 25 | 14 | 0.015 | |
| | | | | | M | UT | 14-435.036 | 2 | 1 | 25 | 41 | 0.015 | |
| | | | 2 NC | - | MA | UT | 14-472.036 | 2 | 1 | 25 | 13 | 0.015 | |
| | | | | | M | UT | 14-432.036 | 2 | 1 | 25 | 40 | 0.015 | |
| | | | 2 NO | - | MA | UT | 14-471.036 | 2 | 1 | 25 | 16 | 0.015 | |
| | | | | | M | UT | 14-431.036 | 2 | 1 | 25 | 43 | 0.015 | |
| | | | SA | 1 NC + 1 NO | 1 D | MA | UT | 14-747.0292 | 2 | 1 | 25 | 9 | 0.014 |
| | | | | | | M | UT | 14-743.0292 | 2 | 1 | 25 | 36 | 0.014 |
| | | | | | 2 D | MA | UT | 14-748.0292 | 2 | 1 | 25 | 10 | 0.014 |
| | | | | | | M | UT | 14-744.0292 | 2 | 1 | 25 | 37 | 0.014 |
| | | | | | - | MA | S | 14-271.0252 | | 1 | 25 | 11 | 0.013 |
| | | | | | | | S1 | 14-271.022 | | 1 | 25 | 11 | 0.013 |
| | | M | | | | S | 14-131.0252 | | 1 | 25 | 38 | 0.013 | |
| | | | | | | S1 | 14-131.022 | | 1 | 25 | 38 | 0.013 | |
| | | 2 NC + 2 NO | | | 1 D | MA | UT | 14-749.0292 | 2 | 1 | 25 | 6 | 0.016 |
| | | | | | | M | UT | 14-745.0292 | 2 | 1 | 25 | 33 | 0.016 |
| | | | 2 D | MA | UT | 14-750.0292 | 2 | 1 | 25 | 7 | 0.016 | | |
| | | | | M | UT | 14-746.0292 | 2 | 1 | 25 | 34 | 0.016 | | |
| | | | - | MA | S | 14-272.0252 | | 1 | 25 | 8 | 0.015 | | |
| | | | | M | S | 14-132.0252 | | 1 | 25 | 35 | 0.015 | | |
| | | 3 NC + 3 NO | - | MA | S | 14-273.0252 | | 1 | 25 | 5 | 0.017 | | |
| | | | | M | S | 14-133.0252 | | 1 | 25 | 32 | 0.017 | | |
| | | 4 NC + 4 NO | - | MA | S | 14-274.0252 | | 1 | 25 | 4 | 0.019 | | |
| | | | | M | S | 14-134.0252 | | 1 | 25 | 31 | 0.019 | | |

Switching system: LL = Low level switching element, SA = Snap-action switching element

Contacts: NC = Normally closed, NO = Normally open

Diode (1N 4007): - = without, D = Diode

Switching action: MA = Maintained action, M = Momentary action

Terminals: UT = Universal terminal, S = Soldering terminal, S1 = Soldering terminal (also pluggable 2.8 x 0.5 mm)

Component layout from page 36, Mounting dimensions from page 37, Technical drawing from page 38, Circuit drawing from page 48

Keylock switch actuator 2 positions, flush mounting



Essential Accessories:

-  Anti-twist ring, flush mounting page 25
-  Front bezel set, flush mounting page 20



| | Front protection | Switching system | Contacts | Switching action | Terminals | Key remove | Ø 35 mm Typ-Nr. | Component layout | Mounting dimensions | Technical drawing | Circuit drawing |  | |
|---|------------------|------------------|-------------|---------------------|-----------|-------------|---------------------|--------------------|---------------------|---------------------|-----------------|---|-------|
| | | | | | | | | | | | | | |
| Keylock switch actuator 2 positions, flush mounting Position A : Basic position Position C : Maintained action Standard lock 1001, Front : Plastic black | IP 65 | LL | 1 NC + 1 NO | MA | UT | A | 14-415.036K | 2 | 1 | 26 | 54 | 0.030 | |
| | | | | | | C | 14-418.036K | 2 | 1 | 26 | 54 | 0.030 | |
| | | | | | | C + A | 14-412.036K | 2 | 1 | 26 | 54 | 0.030 | |
| | | | 2 NO | MA | UT | A | 14-414.036K | 2 | 1 | 26 | 55 | 0.030 | |
| | | | | | | C | 14-417.036K | 2 | 1 | 26 | 55 | 0.030 | |
| | | | | | | C + A | 14-411.036K | 2 | 1 | 26 | 55 | 0.030 | |
| | | SA | 1 NC + 1 NO | MA | S | A | 14-235.025K2 | | 1 | 26 | 50 | 0.029 | |
| | | | | | | C | 14-335.025K2 | | 1 | 26 | 50 | 0.029 | |
| | | | | | | C + A | 14-135.025K2 | | 1 | 26 | 50 | 0.029 | |
| | | | | | | S1 | A | 14-235.022K | | 1 | 26 | 50 | 0.029 |
| | | | | | | | C | 14-335.022K | | 1 | 26 | 50 | 0.029 |
| | | | | | | | C + A | 14-135.022K | | 1 | 26 | 50 | 0.029 |
| | | | 2 NC + 2 NO | MA | S | A | 14-236.025K2 | | 1 | 26 | 51 | 0.031 | |
| | | | | | | C | 14-336.025K2 | | 1 | 26 | 51 | 0.031 | |
| | | | | | | C + A | 14-136.025K2 | | 1 | 26 | 51 | 0.031 | |
| | | | 3 NC + 3 NO | MA | S | A | 14-237.025K2 | | 1 | 26 | 52 | 0.033 | |
| | | | | | | C | 14-337.025K2 | | 1 | 26 | 52 | 0.033 | |
| | | | | | | C + A | 14-137.025K2 | | 1 | 26 | 52 | 0.033 | |
| 4 NC + 4 NO | MA | S | A | 14-238.025K2 | | 1 | 26 | 53 | 0.035 | | | | |
| | | | C | 14-338.025K2 | | 1 | 26 | 53 | 0.035 | | | | |
| | | | C + A | 14-138.025K2 | | 1 | 26 | 53 | 0.035 | | | | |
| Position A : Basic position Position C : Momentary action Standard lock 1001 Front : Plastic black | IP 65 | LL | 1 NC + 1 NO | M | UT | A | 14-438.036K | 2 | 1 | 26 | 48 | 0.030 | |
| | | | | | | 2 NO | 14-437.036K | 2 | 1 | 26 | 49 | 0.030 | |
| | | SA | 1 NC + 1 NO | M | S | A | 14-141.025K2 | | 1 | 26 | 44 | 0.029 | |
| | | | | | | S1 | 14-141.022K | | 1 | 26 | 44 | 0.029 | |
| | | | 2 NC + 2 NO | M | S | A | 14-142.025K2 | | 1 | 26 | 45 | 0.031 | |
| | | | | | | 3 NC + 3 NO | M | S | A | 14-143.025K2 | | 1 | 26 |
| | | | 4 NC + 4 NO | M | S | A | | | 14-144.025K2 | | 1 | 26 | 47 |

Keylock switches are supplied with 2 keys.

Other lock numbers on request

Switching system: LL = Low level switching element, SA = Snap-action switching element

Contacts: NC = Normally closed, NO = Normally open

Switching action: MA = Maintained action, M = Momentary action

Terminals: UT = Universal terminal, S = Soldering terminal, S1 = Soldering terminal (also pluggable 2.8 x 0.5 mm)

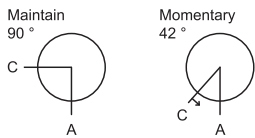
Component layout from page 36, Mounting dimensions from page 37, Technical drawing from page 38, Circuit drawing from page 48

Selector switch actuator 2 positions, flush mounting



Essential Accessories:

-  Anti-twist ring, flush mounting page 25
-  Front bezel set, flush mounting page 20



| | Front protection | Lever | Switching system | Contacts | Switching action | Terminals | Ø 35 mm Typ-Nr. | Component layout | Mounting dimensions | Technical drawing | Circuit drawing | |
|--|------------------|---------------------|---------------------|-------------|------------------|--------------------|---------------------|------------------|---------------------|-------------------|-----------------|-------|
| Selector switch actuator 2 positions, flush mounting Position A : Basic position | IP 67 | Plastic black short | LL | 1 NC + 1 NO | MA | UT | 14-522.0360 | 2 | 1 | 27 | 29 | 0.025 |
| | | | | | M | UT | 14-517.0360 | 2 | 1 | 27 | 22 | 0.025 |
| | | | | 2 NC | MA | UT | 14-521.0360 | 2 | 1 | 27 | 28 | 0.025 |
| | | | | | M | UT | 14-516.0360 | 2 | 1 | 27 | 21 | 0.025 |
| | | | | 2 NO | MA | UT | 14-520.0360 | 2 | 1 | 27 | 30 | 0.025 |
| | | | | | M | UT | 14-515.0360 | 2 | 1 | 27 | 23 | 0.025 |
| | | | SA | 1 NC + 1 NO | MA | S | 14-506.02502 | | 1 | 27 | 24 | 0.024 |
| | | | | | S1 | 14-506.0220 | | 1 | 27 | 24 | 0.024 | |
| | | | | | M | S | 14-501.02502 | | 1 | 27 | 17 | 0.024 |
| | | | | | S1 | 14-501.0220 | | 1 | 27 | 17 | 0.024 | |
| | | | | 2 NC + 2 NO | MA | S | 14-507.02502 | | 1 | 27 | 25 | 0.026 |
| | | | | | M | S | 14-502.02502 | | 1 | 27 | 18 | 0.026 |
| | | | | 3 NC + 3 NO | MA | S | 14-508.02502 | | 1 | 27 | 26 | 0.028 |
| | | | | | M | S | 14-503.02502 | | 1 | 27 | 19 | 0.028 |
| 4 NC + 4 NO | MA | S | 14-509.02502 | | 1 | 27 | 27 | 0.030 | | | | |
| | M | S | 14-504.02502 | | 1 | 27 | 20 | 0.030 | | | | |

Switching system: LL = Low level switching element, SA = Snap-action switching element

Contacts: NC = Normally closed, NO = Normally open

Switching action: MA = Maintained action, M = Momentary action

Terminals: UT = Universal terminal, S = Soldering terminal, S1 = Soldering terminal (also pluggable 2.8 x 0.5 mm)

Component layout from page 36, Mounting dimensions from page 37, Technical drawing from page 38, Circuit drawing from page 48

Front

Lens plastic

To obtain IP 67 use Marking plate Typ-Nr. 704.609.X

| | Lens | Ø 29 mm Typ-Nr. |  |
|---------------------|------------------------------|--------------------|---|
| Lens plastic | black opaque flush | 704.602.0 | 0.001 |
| | blue transparent flush | 704.602.6 | 0.001 |
| | colourless transparent flush | 704.602.7 | 0.001 |
| | green transparent flush | 704.602.5 | 0.001 |
| | red transparent flush | 704.602.2 | 0.001 |
| | yellow transparent flush | 704.602.4 | 0.001 |



Lens raised, plastic

To obtain IP 67 use Marking plate Typ-Nr. 704.610.X

| | Lens | Ø 29 mm Typ-Nr. |  |
|-----------------------------|------------------------------|--------------------|---|
| Lens raised, plastic | colourless transparent flush | 704.611.7 | 0.002 |
| | green transparent flush | 704.611.5 | 0.002 |
| | red transparent flush | 704.611.2 | 0.002 |
| | yellow transparent flush | 704.611.4 | 0.002 |



Lens metal with spot

To obtain IP 67 use Marking plate Typ-Nr. 704.609.X

| | Lens | Ø 29 mm Typ-Nr. |  |
|-----------------------------|-------------------------------|--------------------|---|
| Lens metal with spot | Aluminium black flush | 704.601.01 | 0.001 |
| | Aluminium blue flush | 704.601.61 | 0.001 |
| | Aluminium gold flush | 704.601.41 | 0.001 |
| | Aluminium natural flush | 704.601.81 | 0.001 |
| | Aluminium olive-green flush | 704.601.51 | 0.001 |
| | Aluminium red flush | 704.601.21 | 0.001 |
| | Stainless steel natural flush | 704.601.91 | 0.001 |



Lens metal


To obtain IP 67 use Marking plate Typ-Nr. 704.609.9

| | Lens | Ø 29 mm Typ-Nr. |  |
|-------------------|-------------------------------|--------------------|---|
| Lens metal | Aluminium black flush | 704.601.0 | 0.001 |
| | Aluminium blue flush | 704.601.6 | 0.001 |
| | Aluminium gold flush | 704.601.4 | 0.001 |
| | Aluminium natural flush | 704.601.8 | 0.001 |
| | Aluminium olive-green flush | 704.601.5 | 0.001 |
| | Aluminium red flush | 704.601.2 | 0.001 |
| | Stainless steel natural flush | 704.601.9 | 0.001 |



Lens cap

To obtain IP 67 use Marking plate Typ-Nr. 704.608.X

| | Lens | Ø 29 mm Typ-Nr. |  |
|-----------------|--------------------------------|--------------------|---|
| Lens cap | Plastic blue transparent | 704.603.6 | 0.003 |
| | Plastic colourless transparent | 704.603.7 | 0.003 |
| | Plastic green transparent | 704.603.5 | 0.003 |
| | Plastic red transparent | 704.603.2 | 0.003 |
| | Plastic yellow transparent | 704.603.4 | 0.003 |



Mushroom-head cap

To obtain IP 67 use Marking plate Typ-Nr. 704.609.9

| | Mushroom had cap | Ø 40 mm Typ-Nr. |  |
|--------------------------|-----------------------|--------------------|---|
| Mushroom-head cap | Plastic black opaque | 704.604.0 | 0.001 |
| | Plastic green opaque | 704.604.5 | 0.001 |
| | Plastic red opaque | 704.604.2 | 0.001 |
| | Plastic yellow opaque | 704.604.4 | 0.001 |



Mushroom-head cap illuminated

To obtain IP 67 use Marking plate Typ-Nr. 704.609.9

| | Mushroom had cap | Ø 40 mm Typ-Nr. |  |
|--------------------------------------|--------------------------------|--------------------|---|
| Mushroom-head cap illuminated | Plastic blue transparent | 704.614.6 | 0.007 |
| | Plastic colourless transparent | 704.614.7 | 0.007 |
| | Plastic green transparent | 704.614.5 | 0.007 |
| | Plastic red transparent | 704.614.2 | 0.007 |
| | Plastic yellow transparent | 704.614.4 | 0.007 |



Marking plate for Lens plastic and metal

| | Marking plate | Typ-Nr. |  |
|---|--|------------------|---|
| Marking plate for Lens plastic and metal LED | Plastic colourless transparent ribbed | 704.609.7 | 0.001 |
| | LED and Filament lamp non-illuminative | 704.609.9 | 0.001 |
| | Plastic black opaque | 704.609.0 | 0.001 |




Marking plate for Mushroom-head cap

| | Marking plate | Typ-Nr. |  |
|--|---------------------------|------------------|---|
| Marking plate for Mushroom-head cap | Plastic white translucent | 704.609.9 | 0.001 |




Marking cap for Lens raised, plastic

| | Marking cap | Typ-Nr. |  |
|--|---------------------------------------|------------------|---|
| Marking cap for Lens raised, plastic LED | Plastic colourless transparent ribbed | 704.610.7 | 0.001 |
| LED and Filament lamp | Plastic white translucent | 704.610.9 | 0.001 |




Marking cap for Lens cap

| | Marking cap | Typ-Nr. |  |
|--|---------------------------------------|------------------|---|
| Marking cap for Lens cap LED | Plastic colourless transparent ribbed | 704.608.7 | 0.002 |
| LED and Filament lamp | Plastic white translucent | 704.608.9 | 0.002 |



Front ring

| | Ø 29 mm Typ-Nr. |  |
|-------------------|--------------------|---|
| Front ring | 704.600.0 | 0.003 |
| | 704.600.6 | 0.003 |
| | 704.600.1 | 0.005 |
| | 704.600.1A | 0.005 |
| | 704.600.9 | 0.006 |



Front bezel set for Mushroom-head pushbutton

| | Front Bezel | Ø 50 mm Typ-Nr. | Mounting dimensions | Technical drawing |  |
|---|-------------------|--------------------|---------------------|-------------------|---|
| Front bezel set for Mushroom-head pushbutton | Aluminium black | 14-958.0 | 4 | 28 | 0.042 |
| | Aluminium natural | 14-958.8 | 4 | 28 | 0.042 |



Mounting dimensions from page 37, Technical drawing from page 38

Front bezel set, flush mounting

| | Front bezel | Ø 35 mm Typ-Nr. | Mounting dimensions | |
|--|-------------------------|--------------------|---------------------|-------|
| Front bezel set, flush mounting | Aluminium black | 704.955.0 | 1 | 0.015 |
| | Aluminium natural | 704.955.1 | 1 | 0.015 |
| | Stainless steel natural | 704.955.9 | 1 | 0.033 |



Mounting dimensions from page 37

Legend frame

adhesive, Aluminium black

| | Typ-Nr. | Technical drawing | | |
|---|------------------|-------------------|-------|--|
| Legend frame 30 x 50 mm for raised mounting | 704.968.2 | 9 | 0.001 | |
| 35 x 57.5 mm for flush mounting | 704.968.3 | 10 | 0.001 | |



Technical drawing from page 38

Legend plate insert

for Legend frame 704.968.2 and 704.968.3

| | Typ-Nr. | | |
|---|------------------|-------|--|
| Legend plate insert 14.5 x 23.5 mm, adhesive, Aluminium black | 704.968.1 | 0.001 | |
| 14.5 x 23.5 mm, adhesive, Aluminium natural | 704.968.0 | 0.001 | |



Protective cover, raised mounting

Mounting hole size 22.5 mm dia.

| | Typ-Nr. | Technical drawing | | |
|---|------------------|-------------------|-------|--|
| Protective cover, raised mounting hinged, transparent, with means for sealing, for Pushbutton | 704.925.0 | 4 | 0.007 | |
| hinged, transparent, with means for sealing, for Selector switch | 704.925.2 | 6 | 0.007 | |
| hinged, transparent, with means for sealing, with spring fitted, for Pushbutton | 704.925.3 | 4 | 0.007 | |



Protection cover 704.925.2 only for selector switches in basic position A applicable.

Technical drawing from page 38

Protective cover, flush mounting

Mounting hole size 30.5 mm dia.

| | Typ-Nr. | Technical drawing |  |
|--|-------------------|-------------------|---|
| Protective cover, flush mounting hinged, Aluminium natural, with means for sealing, for Pushbutton and Selector switch short lever | 704.928.38 | 8 | 0.019 |
| hinged, Aluminium natural, with means for sealing, spring fitted, for Pushbutton and Selector switch short lever | 704.928.28 | 5 | 0.019 |
| hinged, Aluminium natural, with window, spring fitted, for Pushbutton | 704.928.18 | 7 | 0.019 |



Technical drawing from page 38

Front protective cap

for Indicator and Illuminated pushbutton for protection IP 68

| | Front protective cap | Typ-Nr. |  |
|---|---------------------------------|------------------|---|
| Front protective cap only together with Lenses 704.602.X, 704.601.X and Front rings 704.600.X | Silicone colourless transparent | 704.953.0 | 0.002 |



Front protective ring

for Illuminated pushbutton with front illumination (IP 67)

| | Front protective ring | Ø 29 mm Typ-Nr. |  |
|---|-----------------------|--------------------|---|
| Front protective ring with transparent Pebax membrane, temperature resistance -40 °C ... +85 °C | Aluminium natural | 704.600.5/A | 0.005 |
| with transparent silicone membrane (extent resistant to sea water), temperature resistance -40 °C ... +85 °C | Aluminium natural | 704.600.3 | 0.005 |
| | Chromed brass | 704.600.2 | 0.005 |



Front protective ring to be mounted with a torque of 40 Ncm onto actuator.

Front bezel with protective membrane, flush mounting

for Illuminated pushbutton (IP 67)

| | Front bezel | Ø 35 mm Typ-Nr. |  |
|---|-------------------------|--------------------|---|
| Front bezel with protective membrane, flush mounting with transparent silicone membrane | Aluminium black | 704.955.4 | 0.015 |
| | Aluminium natural | 704.955.3 | 0.015 |
| with transparent silicone membrane, resistant to sea water | Stainless steel natural | 704.955.9E | 0.033 |



Front bezel to be mounted with a torque of 40 Ncm onto actuator.

Blind plug

| | Blind plug | Front protection | Typ-Nr. | Technical drawing |  |
|--|---------------|------------------|------------------|-------------------|---|
| Blind plug Size 28 mm dia., for mounting hole 22.5 mm dia. | Plastic black | IP 65 | 704.960.4 | 3 | 0.004 |
| Size 36 mm dia., for mounting hole 30.5 mm dia. | Plastic black | IP 65 | 704.964.8 | 2 | 0.007 |



Technical drawing from page 38

Spare key

| | Typ-Nr. |  |
|---|--------------------|---|
| Spare key Standard lock 1001 (KABA) | 14-987.1001 | 0.006 |



Other lock numbers on request

Backside

PCB plug-in base

| | Typ-Nr. | Component layout |  |
|--|---------------|------------------|---|
| PCB plug-in base 16.4 mm dia. x 9.8 mm for Low level switching element, Pins axial | 31-940 | 3 | 0.002 |
| 17.8 x 12.9 mm x 9.8 mm for Snap-action switching element 2.8 mm, Pins axial | 31-942 | 4 | 0.002 |
| 17.9 x 17.9 x 8.4 mm for Low level switching element, Pins bent at right-angle | 31-941 | 1 | 0.004 |



PCB plug-in base Pins right-angle : With the extendable mounting the distance between plug-in base and PCB can be varied up to 3 mm.

Component layout from page 36

Flat receptacle

| | Typ-Nr. |  |
|---|---------------|---|
| Flat receptacle 2.0 x 0.5 mm for Universal terminal | 31-945 | 0.001 |
| 2.8 x 0.5 mm for Plug-in terminal | 31-946 | 0.001 |



Insulation sleeve

| | Typ-Nr. |  |
|--|---------------|---|
| Insulation sleeve Cover Plug-in terminals for snap-action switching element 2.8 mm | 01-928 | 0.001 |
| for Flat receptacle 31-945 | 31-928 | 0.001 |
| for Flat receptacle 31-946 | 31-929 | 0.001 |



Terminal cover

| | Typ-Nr. |  |
|-----------------------|---------------|---|
| Terminal cover | 01-929 | 0.010 |



Illumination

Filament lamp

| | Socket | Operating voltage/-current | Typ-Nr. |  |
|----------------------|--------|----------------------------|---------------------|---|
| Filament lamp | T5.5 | 12 VAC/DC, 100 mA | 10-1109.1329 | 0.001 |
| | | 12 VAC/DC, 50 mA | 10-1109.1279 | 0.001 |
| | | 24 VAC/DC, 25 mA | 10-1112.1199 | 0.001 |
| | | 24 VAC/DC, 50 mA | 10-1112.1279 | 0.001 |
| | | 28 VAC/DC, 40 mA | 10-1113.1249 | 0.001 |
| | | 30 VAC/DC, 40 mA | 10-1114.1249 | 0.001 |
| | | 36 VAC/DC, 35 mA | 10-1116.1229 | 0.001 |
| | | 48 VAC/DC, 25 mA | 10-1119.1199 | 0.001 |
| | | 6 VAC/DC, 200 mA | 10-1106.1369 | 0.001 |



Single-LED


| Single-LED | Socket | Light colour | Operating voltage/-current | Typ-Nr. |  |
|--------------|---------------------|---------------|----------------------------|---------------------|---|
| Single-LED | T5.5 | blue | 12 VAC/DC, 7/14 mA | 10-2109.1066 | 0.001 |
| | | | 24 VAC/DC, 7/14 mA | 10-2112.1066 | 0.001 |
| | | | 28 VAC/DC, 7/14 mA | 10-2113.1066 | 0.001 |
| | | | 48 VAC/DC, 4/8 mA | 10-2119.1046 | 0.001 |
| | | | 6 VDC, 15 mA | 10-2106.3146 | 0.001 |
| | | green | 12 VAC/DC, 7/14 mA | 10-2109.1065 | 0.001 |
| | | | 24 VAC/DC, 7/14 mA | 10-2112.1065 | 0.001 |
| | | | 28 VAC/DC, 7/14 mA | 10-2113.1065 | 0.001 |
| | | | 48 VAC/DC, 4/8 mA | 10-2119.1045 | 0.001 |
| | | | 6 VDC, 15 mA | 10-2106.3145 | 0.001 |
| | | red | 12 VAC/DC, 7/14 mA | 10-2109.1062 | 0.001 |
| | | | 24 VAC/DC, 7/14 mA | 10-2112.1062 | 0.001 |
| | | | 28 VAC/DC, 7/14 mA | 10-2113.1062 | 0.001 |
| | | | 48 VAC/DC, 4/8 mA | 10-2119.1042 | 0.001 |
| | | | 6 VDC, 15 mA | 10-2106.3142 | 0.001 |
| | | white diffuse | 12 VAC/DC, 7/14 mA | 10-2109.1069 | 0.001 |
| | | | 24 VAC/DC, 7/14 mA | 10-2112.1069 | 0.001 |
| | | | 28 VAC/DC, 7/14 mA | 10-2113.1069 | 0.001 |
| | | | 48 VAC/DC, 4/8 mA | 10-2119.1049 | 0.001 |
| | | | 6 VDC, 15 mA | 10-2106.3149 | 0.001 |
| | | yellow | 12 VAC/DC, 7/14 mA | 10-2109.1064 | 0.001 |
| | | | 24 VAC/DC, 7/14 mA | 10-2112.1064 | 0.001 |
| | | | 28 VAC/DC, 7/14 mA | 10-2113.1064 | 0.001 |
| | | | 48 VAC/DC, 4/8 mA | 10-2119.1044 | 0.001 |
| 6 VDC, 15 mA | 10-2106.3144 | | 0.001 | | |



Note:
AC operation through halve-wave rectifier possible, slight flickering can occur.

Terminal plate empty

for fitting with series resistors

| | Typ-Nr. |  |
|---|-----------------|---|
| Terminal plate empty 10 spaces 125 x 60 x 15 mm | 02-912.2 | 0.045 |
| 15 spaces 187.5 x 60 x 15 mm | 02-912.3 | 0.090 |
| 20 spaces 250 x 60 x 15 mm | 02-912.4 | 0.095 |
| 5 spaces 62.5 x 60 x 15 mm | 02-912.1 | 0.025 |



Assembling

Positioning insert

| | Typ-Nr. | Mounting dimensions |  |
|---------------------------|---------------|---------------------|---|
| Positioning insert | 14-910 | 3 | 0.001 |



Mounting dimensions from page 37

Anti-twist ring, flush mounting

| | Typ-Nr. |  |
|--|------------------|---|
| Anti-twist ring, flush mounting | 704.954.0 | 0.002 |



Reducing ring

Devices 22.5 mm dia. in mounting hole size 30.5 mm dia.

| | Typ-Nr. |  |
|---|------------------|---|
| Reducing ring Aluminium black | 704.960.0 | 0.004 |
| Aluminium natural | 704.960.8 | 0.004 |



You need to install two reduction rings.

Lens plug for round lens, flush mounting

| | Typ-Nr. |  |
|---|------------------|---|
| Lens plug for round lens, flush mounting for mounting and dismantling of Lens round, flush mounting | 700.006.0 | 0.003 |



Lamp remover

| | Typ-Nr. |  |
|---------------------|---------------|---|
| Lamp remover | 02-906 | 0.002 |



CAUTION

A switching process might be released when replacing the Lamp/LED !

Enclosure

Grey similar RAL 7035; cover lead-sealable

| | Dimension | Typ-Nr. | Technical drawing | |
|---|------------------------------|------------------|-------------------|-------|
| Enclosure with mounting hole 1 x 22.5 mm dia., with anti-twist device | L 94 mm, W 94 mm, H 81 mm | 704.945.1 | 11 | 0.211 |
| with mounting hole 2 x 22.5 mm dia., with anti-twist device | L 130 mm, W 94 mm, H 81 mm | 704.945.2 | 12 | 0.251 |
| with mounting hole 3 x 22.5 mm dia., with anti-twist device | L 180 mm, W 94 mm, H 81 mm | 704.945.3 | 13 | 0.313 |
| with mounting hole 4 x 22.5 mm dia., with anti-twist device | L 180 mm, W 182 mm, H 110 mm | 704.945.4 | 14 | 0.572 |
| with mounting hole 6 x 22.5 mm dia., with anti-twist device | L 180 mm, W 182 mm, H 110 mm | 704.945.5 | 15 | 0.568 |



Openings for cable gland M16 or M20.

Protection class IP 66.

Technical drawing from page 38

Cable gland

| | Typ-Nr. | kg |
|---|------------------|-------|
| Cable gland M16, Plastic grey | 61-9481.6 | 0.007 |
| M20, Plastic grey | 704.945.6 | 0.011 |



with traction relief; protection degree IP 68.

Actuator with snap-action switching element

Switching system

Self-cleaning, double-break, snap action switching system (with contact gap 2 x 0.5 mm).
 1 normally closed or 1 normally open contact per element.
 Snap-action switching elements with soldering terminals at the sides: up to 4 switching element can be on a pushbutton (max. 4 normally closed and 4 normally open contacts).
 Snap-action switching element with axial plug-in terminals 2.8 mm stackable, only 1 switching element can be on a pushbutton.

Material

Material of contact
 Gold plated silver

Switch housing
 Plug-in-/soldering terminal
 Diallylphthalate DAP, Polyamide 66, Polysulfone, heat-resistant and self-extinguishing
 Soldering terminal: PA 6.6 Ultramide

Actuator housing
 Polyamide

Mechanical characteristics

Terminals
 Snap-action switching element with tinned soldering terminals at the sides:
 Max. wire diameter 2 wires à 1.2 mm
 max. wire cross-section of stranded cable 1 x 1 mm²

Snap-action switching element with axial plug-in terminals, which can also be used as soldering terminals: Plug-in terminal 2.8 x 0.5 mm

Soldering terminal:
 Max. wire diameter 2 wires of 1 mm
 Max. wire cross-section of stranded cable 2 x 0.75 mm² or 1 x 1.0 mm²

Actuating torque
 Measured at the key or lever of the keylock- or selector switch
 2.5 Ncm ... 5.5 Ncm, depending on the number of switching elements

Actuating force
 Maintain 5 N ... 7.8 N
 Momentary 3.2 N ... 6 N
 depending on the number of switching elements

Actuating travel
 Illuminated pushbutton: 3 mm
 Switch actuator 2 positions:
 Momentary action 1 x ca. 42° deflection momentary action
 Maintained action 1 x ca. 90° deflection maintained action

Rebound time
 ≤5ms

Mechanical lifetime
 Momentary action 2 million Cycles of operation
 Maintained action 1 million Cycles of operation

Electrical characteristics

Standards
 The devices comply with : EN IEC 61058-1

Rated voltage
 250 VAC/DC as per EN IEC 61058-1-15

Contact resistance
 New state ≤50 mΩ as per DIN IEC 60512-2-4

Electrostatic discharge (ESD)
 Keylock switch 15 kV

Rated current
 5 A

Conventional free air thermal current I_{th}
 5 A
 The maximum current in continuous operation and at ambient temperature not exceeding the quoted maximum values.

Switch rating
 250 VAC, 5 A (cosφ 1)
 250 VAC, 3 A (cosφ 0,3)

Switch rating AC (cosφ 0,7)

| | | |
|---------|---------|---------|
| Voltage | 125 VAC | 250 VAC |
| Current | 3 A | 2 A |

Switch rating DC (inductive) L:R = 30 ms

| | | | | |
|---------|--------|--------|---------|---------|
| Voltage | 24 VDC | 60 VDC | 110 VDC | 220 VDC |
| Current | 2 A | 0.7 A | 0.2 A | 0.1 A |

Electric strength
 3000 VAC, 50 Hz, 1 min. between all terminals and earth, as per EN IEC 61058-1-15

Isolation resistance
 >7 MΩ between the open contacts at 500 VDC, as per EN IEC 61058-1-15 (reinforced insulation)

Protection class
 II

Environmental conditions

Storage temperature
 -40 °C ... +85 °C

Service temperature
 -25 °C ... +55 °C
 For indicators and illuminated pushbuttons mounted as a block, make sure the heat can escape freely.

Protection degree
 as per EN IEC 60529
 front side IP 67

Shock resistance
 (semi-sinusoidal)
 max. 150 m/s², pulse width 11 ms, 3-axis, as per EN IEC 60068-2-27

Vibration resistance
 (sinusoidal)
 max. 100 m/s² at 10 Hz ... 500 Hz, as per EN IEC 60068-2-6

Climate resistance

Damp heat state as per EN IEC 60068-2-30
Damp heat cyclic as per EN IEC 60068-2-78

Approvals

Approbations

CB (IEC 61058)
CSA
ENEC (EN 61058)
Germanischer Lloyd
UL

Declaration of conformity

CE

Rebound time

typical <100 μ s

Mechanical lifetime

Momentary action 5 million cycles of operation
Maintained action 1 million cycles of operation

Electrical characteristics

Contact resistance

New state ≤ 50 m Ω as per DIN IEC 60512-2-4

Electrostatic discharge (ESD)

Keylock switch 15 kV

Switch rating

10 μ A, 100 μ V to 100 mA at 42 VAC/VDC

Electric strength

3000 VAC, 50 Hz, 1 min. between all terminals and earth, as per EN IEC 61058-1-15

Protection class

II

Environmental conditions

Storage temperature

-40 °C ... +85 °C

Service temperature

-25 °C ... +55 °C

For indicators and illuminated pushbuttons mounted as a block, make sure the heat can escape freely.

Protection degree

as per EN IEC 60529
front side IP 67

Shock resistance

(semi-sinusoidal)
max. 150 m/s², pulse width 11 ms, 3-axis, as per EN IEC 60068-2-27

Actuator with low level switching element

Switching system

This low level switching element was designed for switching low powers in electronic circuits. The mechanism assures reliable switching of loads ranging from a few μ A/ μ V up to 100 mA/42 VAC/DC.

Single-break momentary contact, as normally open or normally closed with 4 independent points of contact. 2 momentary contacts per switching element; combination of normally open and normally closed is possible.

Special features are the long life, extremely short rebound time and stable contact resistance.

Material

Material of contact

Gold plated

Switch housing

Polysulfone, heat-resistant and self-extinguishing

Actuator housing

Polyamide

Mechanical characteristics

Terminals

The universal terminals permit these units to be mounted on printed circuit boards (PCB). These terminals can also be used as soldering or plug-in terminals.

For these terminals we can also supply a plug-in base which, when soldered on to the board, enables the switch to be plugged in.

Soldering terminal:

Max. wire diameter 2 wires of 1 mm

Max. wire cross-section of stranded cable 2 x 0.75 mm²

Plug-in terminal: 2.0 x 0.5 mm.

Actuating torque

Measured at the key or lever of the keylock- or selector switch
2.5 Ncm ... 5.5 Ncm, depending on the number of switching elements

Actuating force

3 ... 4 N, depending on the number of switching elements

Actuating travel

Illuminated pushbutton : 3 mm

Switch actuator 2 positions:

Momentary action 1 x ca. 42° deflection momentary action

Maintained action 1 x ca. 90° deflection maintained action

Buzzer

Buzzer system

System

Piezo disc

Material

Alarm buzzer case

Polyamide

Front cap

Plastic Polyamide

Metal Nickel-plated brass (sea-water proof)

Mechanical characteristics

Terminals

Plug-in terminal 2.8 x 0.5 mm

Electrical characteristics

Frequency (tone)

approx. 2.8 kHz continuous tone only

Sound pressure

95 db (A) ± 8 dB at a distance of 0.1 m

Operation Voltage/Current

Operation Voltage 24 VDC ± 10 %

Operation Current ≤ 25 mA

Environmental conditions**Storage temperature**

-40 °C ... +85 °C

Operating temperature

-25 °C ... +55 °C

Protection degree

as per EN IEC 60529, frontside

IP 40, devices flush mounting

IP 65, devices raised mounting

Approvals**Declaration of conformity**

CE

Diode element

When indicators and illuminated pushbuttons equipped with diodes, the user is able to perform a lamp check or wire an alarm circuit simply with a considerable saving of space.



Suppressor circuits

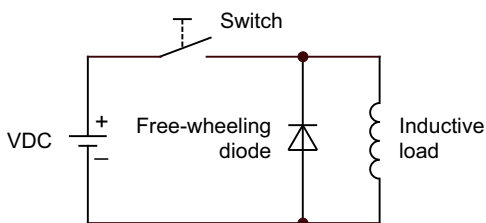
When switching inductive loads such as relays, DC motors, and DC solenoids, it is always important to absorb surges (e.g. with a diode) to protect the contacts. When these inductive loads are switched off, a counter emf can severely damage switch contacts and greatly shorten lifetime.

Fig. 1 shows an inductive load with a free-wheeling diode connected in parallel. This free-wheeling diode provides a path for the inductor current to flow when the current is interrupted by the switch. Without this free-wheeling diode, the voltage across the coil will be limited only by dielectric breakdown voltages of the circuit or parasitic elements of the coil. This voltage can be kilovolts in amplitude even when nominal circuit voltages are low (e.g. 12 VDC) see Fig. 2.

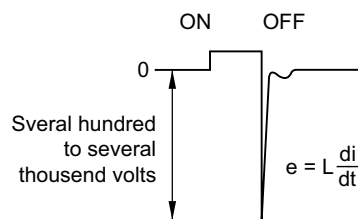
The free-wheeling diode should be chosen so that the reverse breakdown voltage is greater than the voltage driving the inductive load. The DC blocking voltage (V_R) of the free-wheeling diode can be found in the datasheet of a diode. The forward current should be equal or greater than the maximum current flowing through the load.

To get an efficient protection, the free-wheeling diode must be connected as close as possible to the inductive load!

Switching with inductive load
Fig. 1



Counter emf
over load without free-wheeling diode
Fig. 2



General notes

1. Engraving

In addition to the most commonly used world languages, in DIN 1451-3 close spacing, other typefaces are available as Scandinavian, Slavic, Greek, Russian and Polish.

The lenses are filled with black or white colour. Standard height of letters is 3 mm. If the height is not specified, we will supply 3 mm engraved letters.

2. Hot stamping

Standard legends and ISO symbols are hot stamped. For larger series it is worth considering markings by means of hot stamping. We will be pleased to advise you.

Engraving marking cap for Indicator round, full face illumination

All dimensions in mm

| Height of letters | Number of lines | Number of (target value) letters per line | | | Line spacing |
|-------------------|-----------------|---|----|----|--------------|
| | | b1 | b2 | b3 | |
| 3 | 3 | 11 | 10 | 9 | 4.6 |
| 4 | 2 | 8 | 7 | - | 6.6 |
| 8 | 1 | 4 | - | - | - |



The gap between 2 words results in each case a letter less.

Engraving marking cap for Indicator and illuminated Pushbutton round, front illumination

All dimensions in mm

| Height of letters | Number of lines | Number of (target value) letters per line | | | Line spacing |
|-------------------|-----------------|---|----|----|--------------|
| | | b1 | b2 | b3 | |
| 3 | 3 | 9 | 9 | 7 | 4.6 |
| 4 | 2 | 7 | 6 | - | 6.6 |
| 8 | 1 | 3 | - | - | - |



The gap between 2 words results in each case a letter less.

Engraving legend plates

All dimensions in mm

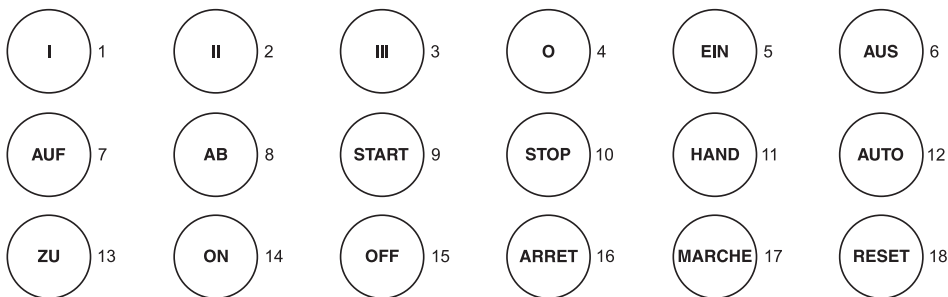
| Dimension | Devices mounting style | Height of letters h | Number of lines | Number of (target value) letters per line | Image |
|-----------|------------------------|---------------------|-----------------|---|-------|
| 30 x 50 | round, raised | 3 | 2 | 12 | B1 |
| | | 4 | 1 | 7 | B1 |
| | | 8 | 1 | 4 | B1 |
| 35 x 57.5 | round, flush | 3 | 2 | 12 | B2 |
| | | 4 | 1 | 7 | B2 |
| | | 8 | 1 | 4 | B2 |



The gap between 2 words results in each case a letter less.

Standard texts for marking plates and marking caps for Indicator and Illuminated Pushbutton

Height of letters 6 mm



Symbols for marking plates and marking caps for Indicator and Illuminated Pushbutton

| | | | | | | | |
|--|---|---|---|---|--|---|--|
|  | 1 Direction of linear rectilinear motion (also for $\rightarrow \updownarrow$) |  | 13 Direction of spindle rotation |  | 29 Decrease of value (speed, for instance) |  | 49 Cooling pump |
|  | 2 Linear motion in in 2 directions (also for \updownarrow) |  | 14 One revolution |  | 30 Speed of planing cut |  | 50 Lubricant pump |
|  | 3 Interrupted linear motion (also for $\leftarrow \rightarrow \updownarrow$) |  | 15 Number of revolutions per minute (spindle speed) |  | 31 Speed of turning cut |  | 51 Hydraulic system pump |
|  | 4 Limited linear motion (also for $\leftarrow \updownarrow$) |  | 16 Feed |  | 32 Speed of drilling cut |  | 52 Hydraulic motor |
|  | 5 Limited linear motion and return |  | 17 Feed per revolution |  | 33 Speed of milling cut (similar symbol for speed of grinding) |  | 53 Tracer |
|  | 6 Oscillating linear motion (continuous) |  | 18 Feed per minute |  | 34 Conventional milling |  | 61 Stepless regulation |
|  | 7 Direction of continuous rotation (right) |  | 19 Reduced feed |  | 35 Climb milling (down milling) |  | 62 Adjustable |
|  | 7a Direction of continuous rotation (left) |  | 20 Rapid feed |  | 41 Electric motor |  | 63.1 Lock or tighten |
|  | 8 Rotation in 2 directions |  | 21 Normal feed |  | 42 Rectangular work table or slide element |  | 63.2 Lock or tighten |
|  | 9 Direction of interrupted rotation (right) |  | 22 Direction of feed (orientation not specified) |  | 43 Round work table or rotating element |  | 64.1 Unlock, unclamp |
|  | 9a Direction of interrupted rotation (left) |  | 24 Transverse feed |  | 44 Turning spindle |  | 64.2 Chuck open |
|  | 10 Limited rotation (right) |  | 25 Vertical feed |  | 45 Drilling spindle |  | 65 Brake on |
|  | 10a Limited rotation (left) |  | 26 Rapid traverse |  | 46 Milling spindle |  | 66 Brake off |
|  | 11 Limited rotation and return |  | 27 Threading |  | 47 Grinding spindle |  | 67 Automatic (or semi-automatic) cycle |
|  | 12 Oscillating rotary movement (continuous) |  | 28 Increase of value (speed, for instance) |  | 48 Pump (general symbol) |  | 68 Hand control |

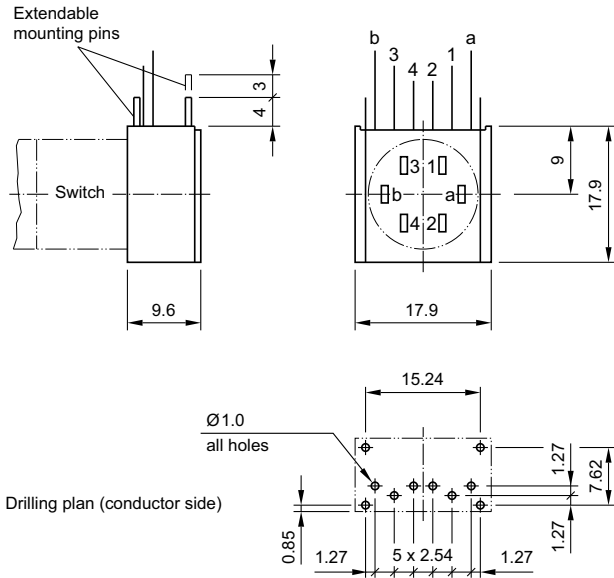
Continuation see next page

Continued from previous page

| | | | |
|--|--|--|--|
|  69 Start, on |  77 Open lock-nut |  93 Caution! |  106 Drain |
|  70 Stop, off |  78 Engage sensor |  94 Main switch |  107 Oil, lubricant |
|  71 Start and stop with same button |  79 Disengage sensor |  101 Coolant fluid |  108 Blast |
|  72 In action as long as button is operated |  80 Change speed only in stopped position |  102 Machine lighting |  109 Suction |
|  74 Engaging (mechanical start) |  81 Change speed only in motion |  103 Weight | |
|  75 Disengaging (mechanical stop) |  91 Shear pin construction |  104 Filter opening | |
|  76 Close lock-nut |  92 Danger (high voltage) |  105 Overflow | |

Component layout

1 PCB plug-in base page 22



2 Indicator actuator full face illumination page 6 | Indicator actuator front illumination page 6 | Illuminated actuator pushbutton page 8 | Mushroom-head actuator pushbutton page 9 | Illuminated mushroom-head actuator pushbutton page 10 | Keylock switch 2 positions page 11 | Selector switch 2 positions page 12 | Indicator actuator, flush mounting page 13 | Illuminated pushbutton actuator, flush mounting page 14 | Keylock switch actuator 2 positions, flush mounting page 15 | Selector switch actuator 2 positions, flush mounting page 16

Terminals (rearside)

PCB layout (conductor side)



3 PCB plug-in base page 22



4 PCB plug-in base page 22



Mounting dimensions

1 Indicator actuator, flush mounting page 13 | Buzzer, flush mounting page 13 | Illuminated pushbutton actuator, flush mounting page 14 | Keylock switch actuator 2 positions, flush mounting page 15 | Selector switch actuator 2 positions, flush mounting page 16 | Front bezel set, flush mounting page 20



Hole spacing 37 mm min. by using blind plug 704.960.8

2 Mushroom-head actuator pushbutton page 9 | Illuminated mushroom-head actuator pushbutton page 10



3 Positioning insert page 25



4 Front bezel set for Mushroom-head pushbutton page 19



5 Indicator actuator full face illumination page 6 | Indicator actuator front illumination page 6 | Buzzer page 7 | Illuminated actuator pushbutton page 8 | Keylock switch 2 positions page 11 | Selector switch 2 positions page 12



Hole spacing 31 mm min. by using blind plug 704.960.4

Technical drawing

1 Buzzer page 7



2 Blind plug page 22



3 Blind plug page 22



4 Protective cover, raised mounting page 20



Front panel thickness reduces by 3.5 mm to max. 4.5 mm

5 Protective cover, flush mounting page 21



Front panel thickness reduces by 2.5 mm to max. 3.5 mm

6 Protective cover, raised mounting page 20



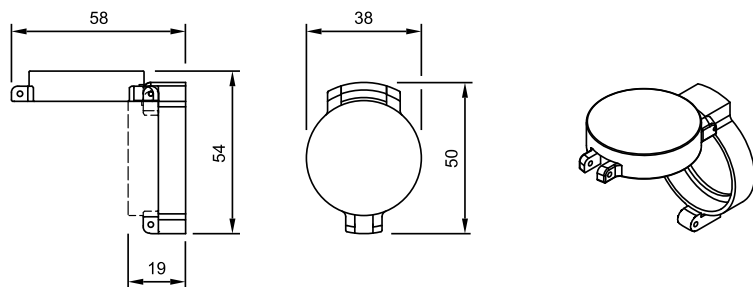
Front panel thickness reduces by 3.5 mm to max. 4.5 mm

7 Protective cover, flush mounting page 21



Front panel thickness reduces by 2.5 mm to max. 3.5 mm

8 Protective cover, flush mounting page 21

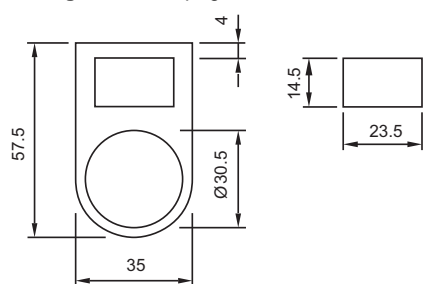


Front panel thickness reduces by 2.5 mm to max. 3.5 mm

9 Legend frame page 20



10 Legend frame page 20



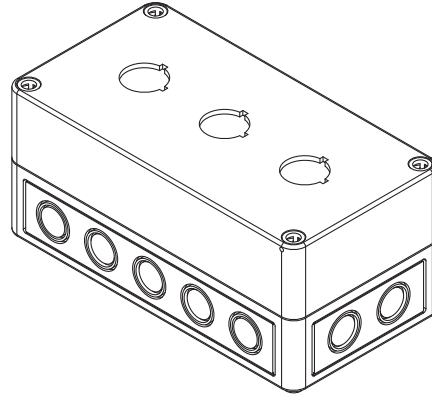
11 Enclosure page 26



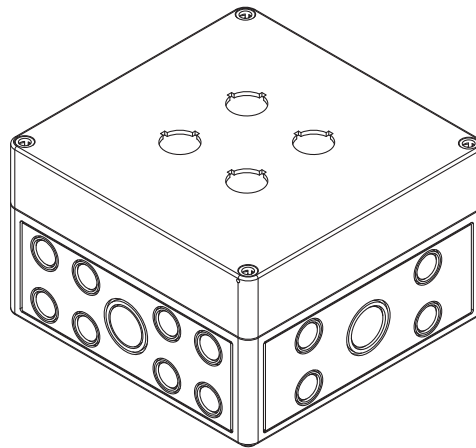
12 Enclosure page 26



13 Enclosure page 26



14 Enclosure page 26



15 Enclosure page 26



16 Buzzer, flush mounting page 13



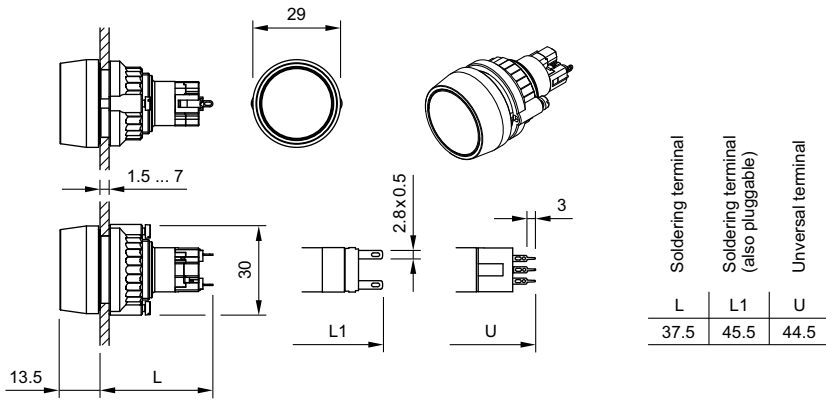
17 Indicator actuator full face illumination page 6



18 Mushroom-head actuator pushbutton page 9 | Illuminated mushroom-head actuator pushbutton page 10



19 Indicator actuator front illumination page 6



20 Illuminated actuator pushbutton page 8



| | Soldering terminal | Soldering terminal (also pluggable) | Universal terminal | Universal terminal + diode |
|-----------------------------|--------------------|-------------------------------------|--------------------|----------------------------|
| | L | L1 | U | U+D |
| 1NC+1NO | 37.5 | 45.5 | - | - |
| 2NC+2NO | 45 | - | - | - |
| 3NC+3NO | 52.5 | - | - | - |
| 4NC+4NO | 60 | - | - | - |
| 1NC+1NO+D | - | - | - | 52 |
| 2NC+2NO+D | - | - | - | 60 |
| 1NC, 1NO, 1NC+1NO, 2NC, 2NO | 44.5 | | | - |

21 Keylock switch 2 positions page 11



| | Soldering terminal | Soldering terminal (also pluggable) | Universal terminal |
|-----------------------------|--------------------|-------------------------------------|--------------------|
| | L | L1 | U |
| 1NC+1NO | 35.5 | 45.5 | - |
| 2NC+2NO | 43 | - | - |
| 3NC+3NO | 50.5 | - | - |
| 4NC+4NO | 58 | - | - |
| 1NC, 1NO, 1NC+1NO, 2NC, 2NO | 44.5 | | |

22 Selector switch 2 positions page 12



| | Soldering terminal | Soldering terminal (also pluggable) | Universal terminal |
|-----------------------------|--------------------|-------------------------------------|--------------------|
| | L | L1 | U |
| 1NC+1NO | 35.5 | 45.5 | - |
| 2NC+2NO | 43 | - | - |
| 3NC+3NO | 50.5 | - | - |
| 4NC+4NO | 58 | - | - |
| 1NC, 1NO, 1NC+1NO, 2NC, 2NO | 44.5 | | |

23 Selector switch 2 positions page 12



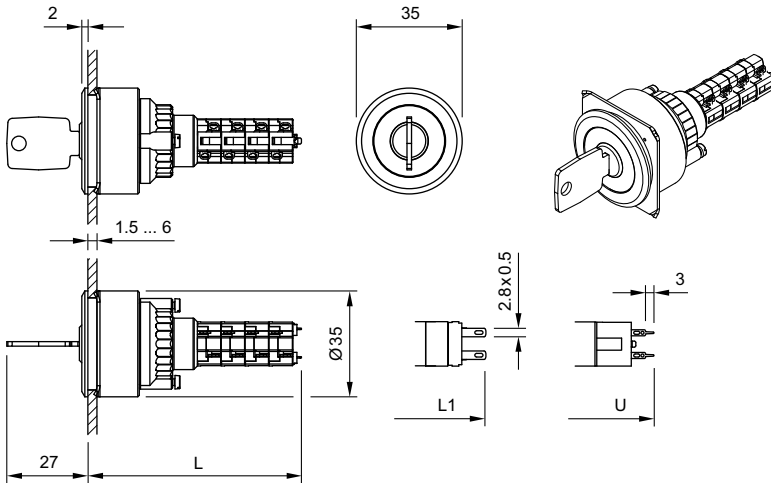
24 Indicator actuator, flush mounting page 13



25 Illuminated pushbutton actuator, flush mounting page 14



26 Keylock switch actuator 2 positions, flush mounting page 15



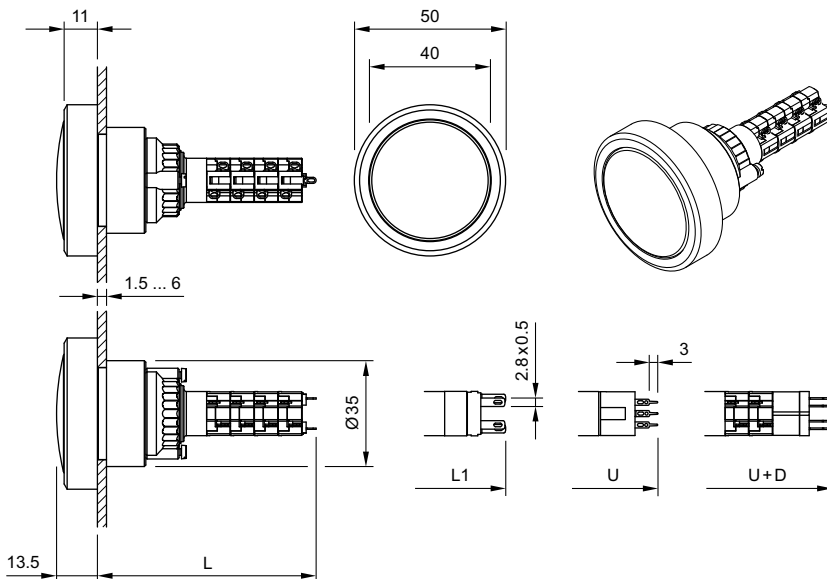
| | Soldering terminal | Soldering terminal (also pluggable) | Universal terminal |
|--------------|--------------------|-------------------------------------|--------------------|
| | L | L1 | U |
| 1NC+1NO | 46.5 | 56 | - |
| 2NC+2NO | 54 | - | - |
| 3NC+3NO | 61.5 | - | - |
| 4NC+4NO | 69 | - | - |
| 1NC+1NO, 2NO | | | 55.5 |

27 Selector switch actuator 2 positions, flush mounting page 16



| | Soldering terminal | Soldering terminal (also pluggable) | Universal terminal |
|-------------------|--------------------|-------------------------------------|--------------------|
| | L | L1 | U |
| 1NC+1NO | 46.5 | 56 | - |
| 2NC+2NO | 54 | - | - |
| 3NC+3NO | 61.5 | - | - |
| 4NC+4NO | 69 | - | - |
| 1NC+1NO, 2NC, 2NO | | | 55.5 |

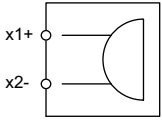
28 Front bezel set for Mushroom-head pushbutton page 19



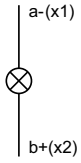
| | Soldering terminal | Soldering terminal (also pluggable) | Universal terminal | Universal terminal + diode |
|-----------------------------|--------------------|-------------------------------------|--------------------|----------------------------|
| | L | L1 | U | U+D |
| 1NC+1NO | 48.5 | 56 | - | - |
| 2NC+2NO | 56 | - | - | - |
| 3NC+3NO | 63.5 | - | - | - |
| 4NC+4NO | 71 | - | - | - |
| 1NC+1NO+D | - | - | - | 63.5 |
| 2NC+2NO+D | - | - | - | 71 |
| 1NC, 1NO, 1NC+1NO, 2NC, 2NO | | | 55.5 | - |

Circuit drawing

1 Buzzer page 7 | Buzzer, flush mounting page 13



2 Indicator actuator full face illumination page 6 | Indicator actuator front illumination page 6 | Indicator actuator, flush mounting page 13



3 Indicator actuator full face illumination page 6 | Indicator actuator front illumination page 6 | Indicator actuator, flush mounting page 13



4 Illuminated actuator pushbutton page 8 | Mushroom-head actuator pushbutton page 9 | Illuminated mushroom-head actuator pushbutton page 10 | Illuminated pushbutton actuator, flush mounting page 14



5 Illuminated actuator pushbutton page 8 | Mushroom-head actuator pushbutton page 9 | Illuminated mushroom-head actuator pushbutton page 10 | Illuminated pushbutton actuator, flush mounting page 14



6 Illuminated actuator pushbutton page 8 | Illuminated mushroom-head actuator pushbutton page 10 | Illuminated pushbutton actuator, flush mounting page 14



7 Illuminated actuator pushbutton page 8 | Illuminated mushroom-head actuator pushbutton page 10 | Illuminated pushbutton actuator, flush mounting page 14



8 Illuminated actuator pushbutton page 8 | **Mushroom-head actuator pushbutton** page 9 | **Illuminated mushroom-head actuator pushbutton** page 10 | **Illuminated pushbutton actuator, flush mounting** page 14



9 Illuminated actuator pushbutton page 8 | **Illuminated mushroom-head actuator pushbutton** page 10 | **Illuminated pushbutton actuator, flush mounting** page 14



10 Illuminated actuator pushbutton page 8 | **Illuminated mushroom-head actuator pushbutton** page 10 | **Illuminated pushbutton actuator, flush mounting** page 14



11 Illuminated actuator pushbutton page 8 | **Mushroom-head actuator pushbutton** page 9 | **Illuminated mushroom-head actuator pushbutton** page 10 | **Illuminated pushbutton actuator, flush mounting** page 14



12 Illuminated actuator pushbutton page 8 | **Mushroom-head actuator pushbutton** page 9 | **Illuminated mushroom-head actuator pushbutton** page 10 | **Illuminated pushbutton actuator, flush mounting** page 14



13 Illuminated actuator pushbutton page 8 | **Mushroom-head actuator pushbutton** page 9 | **Illuminated mushroom-head actuator pushbutton** page 10 | **Illuminated pushbutton actuator, flush mounting** page 14



14 Illuminated actuator pushbutton page 8 | **Mushroom-head actuator pushbutton** page 9 | **Illuminated mushroom-head actuator pushbutton** page 10 | **Illuminated pushbutton actuator, flush mounting** page 14



15 Illuminated actuator pushbutton page 8 | **Mushroom-head actuator pushbutton** page 9 | **Illuminated mushroom-head actuator pushbutton** page 10 | **Illuminated pushbutton actuator, flush mounting** page 14



16 Illuminated actuator pushbutton page 8 | **Mushroom-head actuator pushbutton** page 9 | **Illuminated mushroom-head actuator pushbutton** page 10 | **Illuminated pushbutton actuator, flush mounting** page 14



17 Selector switch 2 positions page 12 | **Selector switch actuator 2 positions, flush mounting** page 16



18 Selector switch 2 positions page 12 | **Selector switch actuator 2 positions, flush mounting** page 16



19 Selector switch 2 positions page 12 | **Selector switch actuator 2 positions, flush mounting** page 16



20 Selector switch 2 positions page 12 | **Selector switch actuator 2 positions, flush mounting** page 16



21 Selector switch 2 positions page 12 | **Selector switch actuator 2 positions, flush mounting** page 16



22 Selector switch 2 positions page 12 | Selector switch actuator 2 positions, flush mounting page 16



23 Selector switch 2 positions page 12 | Selector switch actuator 2 positions, flush mounting page 16



24 Selector switch 2 positions page 12 | Selector switch actuator 2 positions, flush mounting page 16



25 Selector switch 2 positions page 12 | Selector switch actuator 2 positions, flush mounting page 16



26 Selector switch 2 positions page 12 | Selector switch actuator 2 positions, flush mounting page 16



27 Selector switch 2 positions page 12 | Selector switch actuator 2 positions, flush mounting page 16



28 Selector switch 2 positions page 12 | Selector switch actuator 2 positions, flush mounting page 16



29 Selector switch 2 positions page 12 | Selector switch actuator 2 positions, flush mounting page 16



30 Selector switch 2 positions page 12 | Selector switch actuator 2 positions, flush mounting page 16



31 Illuminated actuator pushbutton page 8 | Mushroom-head actuator pushbutton page 9 | Illuminated mushroom-head actuator pushbutton page 10 | Illuminated pushbutton actuator, flush mounting page 14



32 Illuminated actuator pushbutton page 8 | Mushroom-head actuator pushbutton page 9 | Illuminated mushroom-head actuator pushbutton page 10 | Illuminated pushbutton actuator, flush mounting page 14



33 Illuminated actuator pushbutton page 8 | Illuminated mushroom-head actuator pushbutton page 10 | Illuminated pushbutton actuator, flush mounting page 14



34 Illuminated actuator pushbutton page 8 | Illuminated mushroom-head actuator pushbutton page 10 | Illuminated pushbutton actuator, flush mounting page 14



35 Illuminated actuator pushbutton page 8 | Mushroom-head actuator pushbutton page 9 | Illuminated mushroom-head actuator pushbutton page 10 | Illuminated pushbutton actuator, flush mounting page 14



36 Illuminated actuator pushbutton page 8 | Illuminated mushroom-head actuator pushbutton page 10 | Illuminated pushbutton actuator, flush mounting page 14



37 Illuminated actuator pushbutton page 8 | **Illuminated mushroom-head actuator pushbutton** page 10 | **Illuminated pushbutton actuator, flush mounting** page 14



38 Illuminated actuator pushbutton page 8 | **Mushroom-head actuator pushbutton** page 9 | **Illuminated mushroom-head actuator pushbutton** page 10 | **Illuminated pushbutton actuator, flush mounting** page 14



39 Illuminated actuator pushbutton page 8 | **Mushroom-head actuator pushbutton** page 9 | **Illuminated mushroom-head actuator pushbutton** page 10 | **Illuminated pushbutton actuator, flush mounting** page 14



40 Illuminated actuator pushbutton page 8 | **Mushroom-head actuator pushbutton** page 9 | **Illuminated mushroom-head actuator pushbutton** page 10 | **Illuminated pushbutton actuator, flush mounting** page 14



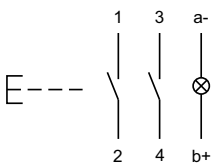
41 Illuminated actuator pushbutton page 8 | **Mushroom-head actuator pushbutton** page 9 | **Illuminated mushroom-head actuator pushbutton** page 10 | **Illuminated pushbutton actuator, flush mounting** page 14



42 Illuminated actuator pushbutton page 8 | **Mushroom-head actuator pushbutton** page 9 | **Illuminated mushroom-head actuator pushbutton** page 10 | **Illuminated pushbutton actuator, flush mounting** page 14



43 Illuminated actuator pushbutton page 8 | **Mushroom-head actuator pushbutton** page 9 | **Illuminated mushroom-head actuator pushbutton** page 10 | **Illuminated pushbutton actuator, flush mounting** page 14



44 Keylock switch 2 positions page 11 | Keylock switch actuator 2 positions, flush mounting page 15



45 Keylock switch 2 positions page 11 | Keylock switch actuator 2 positions, flush mounting page 15



46 Keylock switch 2 positions page 11 | Keylock switch actuator 2 positions, flush mounting page 15



47 Keylock switch 2 positions page 11 | Keylock switch actuator 2 positions, flush mounting page 15



48 Keylock switch 2 positions page 11 | Keylock switch actuator 2 positions, flush mounting page 15



49 Keylock switch 2 positions page 11 | Keylock switch actuator 2 positions, flush mounting page 15



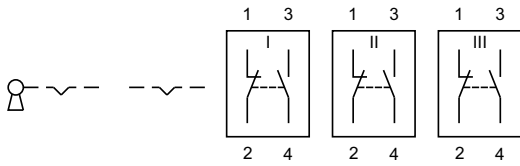
50 Keylock switch 2 positions page 11 | Keylock switch actuator 2 positions, flush mounting page 15



51 Keylock switch 2 positions page 11 | Keylock switch actuator 2 positions, flush mounting page 15



52 Keylock switch 2 positions page 11 | Keylock switch actuator 2 positions, flush mounting page 15



53 Keylock switch 2 positions page 11 | Keylock switch actuator 2 positions, flush mounting page 15



54 Keylock switch 2 positions page 11 | Keylock switch actuator 2 positions, flush mounting page 15



55 Keylock switch 2 positions page 11 | Keylock switch actuator 2 positions, flush mounting page 15



56 Indicator actuator full face illumination page 6



57 Indicator actuator full face illumination page 6



Index from Typ-Nr.

| Typ-Nr. | Page | Typ-Nr. | Page | Typ-Nr. | Page |
|--------------|------|--------------|------|--------------|------|
| 01-928 | 23 | 14-133.0252 | 14 | 14-337.025K2 | 11 |
| 01-929 | 23 | 14-133.0252 | 8 | 14-337.025K2 | 15 |
| 02-906 | 25 | 14-133.0252 | 9 | 14-338.025K2 | 11 |
| 02-912.1 | 24 | 14-134.0252 | 10 | 14-338.025K2 | 15 |
| 02-912.2 | 24 | 14-134.0252 | 14 | 14-411.036K | 11 |
| 02-912.3 | 24 | 14-134.0252 | 8 | 14-411.036K | 15 |
| 02-912.4 | 24 | 14-134.0252 | 9 | 14-412.036K | 11 |
| 10-1106.1369 | 23 | 14-135.022K | 11 | 14-412.036K | 15 |
| 10-1109.1279 | 23 | 14-135.022K | 15 | 14-414.036K | 11 |
| 10-1109.1329 | 23 | 14-135.025K2 | 11 | 14-414.036K | 15 |
| 10-1112.1199 | 23 | 14-135.025K2 | 15 | 14-415.036K | 11 |
| 10-1112.1279 | 23 | 14-136.025K2 | 11 | 14-415.036K | 15 |
| 10-1113.1249 | 23 | 14-136.025K2 | 15 | 14-417.036K | 11 |
| 10-1114.1249 | 23 | 14-137.025K2 | 11 | 14-417.036K | 15 |
| 10-1116.1229 | 23 | 14-137.025K2 | 15 | 14-418.036K | 11 |
| 10-1119.1199 | 23 | 14-138.025K2 | 11 | 14-418.036K | 15 |
| 10-2106.3142 | 24 | 14-138.025K2 | 15 | 14-431.036 | 10 |
| 10-2106.3144 | 24 | 14-141.022K | 11 | 14-431.036 | 14 |
| 10-2106.3145 | 24 | 14-141.022K | 15 | 14-431.036 | 8 |
| 10-2106.3146 | 24 | 14-141.025K2 | 11 | 14-431.036 | 9 |
| 10-2106.3149 | 24 | 14-141.025K2 | 15 | 14-432.036 | 10 |
| 10-2109.1062 | 24 | 14-142.025K2 | 11 | 14-432.036 | 14 |
| 10-2109.1064 | 24 | 14-142.025K2 | 15 | 14-432.036 | 8 |
| 10-2109.1065 | 24 | 14-143.025K2 | 11 | 14-432.036 | 9 |
| 10-2109.1066 | 24 | 14-143.025K2 | 15 | 14-433.036 | 10 |
| 10-2109.1069 | 24 | 14-144.025K2 | 11 | 14-433.036 | 14 |
| 10-2112.1062 | 24 | 14-144.025K2 | 15 | 14-433.036 | 8 |
| 10-2112.1064 | 24 | 14-235.022K | 11 | 14-433.036 | 9 |
| 10-2112.1065 | 24 | 14-235.022K | 15 | 14-435.036 | 10 |
| 10-2112.1066 | 24 | 14-235.025K2 | 11 | 14-435.036 | 14 |
| 10-2112.1069 | 24 | 14-235.025K2 | 15 | 14-435.036 | 8 |
| 10-2113.1062 | 24 | 14-236.025K2 | 11 | 14-435.036 | 9 |
| 10-2113.1064 | 24 | 14-236.025K2 | 15 | 14-436.036 | 10 |
| 10-2113.1065 | 24 | 14-237.025K2 | 11 | 14-436.036 | 14 |
| 10-2113.1066 | 24 | 14-237.025K2 | 15 | 14-436.036 | 8 |
| 10-2113.1069 | 24 | 14-238.025K2 | 11 | 14-436.036 | 9 |
| 10-2119.1042 | 24 | 14-238.025K2 | 15 | 14-437.036K | 11 |
| 10-2119.1044 | 24 | 14-271.022 | 10 | 14-437.036K | 15 |
| 10-2119.1045 | 24 | 14-271.022 | 14 | 14-438.036K | 11 |
| 10-2119.1046 | 24 | 14-271.022 | 8 | 14-438.036K | 15 |
| 10-2119.1049 | 24 | 14-271.022 | 9 | 14-471.036 | 10 |
| 14-030.002 | 6 | 14-271.0252 | 10 | 14-471.036 | 14 |
| 14-030.005 | 6 | 14-271.0252 | 14 | 14-471.036 | 8 |
| 14-031.006 | 6 | 14-271.0252 | 8 | 14-471.036 | 9 |
| 14-040.002 | 13 | 14-271.0252 | 9 | 14-472.036 | 10 |
| 14-040.002 | 6 | 14-272.0252 | 10 | 14-472.036 | 14 |
| 14-040.005 | 13 | 14-272.0252 | 14 | 14-472.036 | 8 |
| 14-040.005 | 6 | 14-272.0252 | 8 | 14-472.036 | 9 |
| 14-041.006 | 13 | 14-272.0252 | 9 | 14-473.036 | 10 |
| 14-041.006 | 6 | 14-273.0252 | 10 | 14-473.036 | 14 |
| 14-131.022 | 10 | 14-273.0252 | 14 | 14-473.036 | 8 |
| 14-131.022 | 14 | 14-273.0252 | 8 | 14-473.036 | 9 |
| 14-131.022 | 8 | 14-273.0252 | 9 | 14-475.036 | 10 |
| 14-131.022 | 9 | 14-274.0252 | 10 | 14-475.036 | 14 |
| 14-131.0252 | 10 | 14-274.0252 | 14 | 14-475.036 | 8 |
| 14-131.0252 | 14 | 14-274.0252 | 8 | 14-475.036 | 9 |
| 14-131.0252 | 8 | 14-274.0252 | 9 | 14-476.036 | 10 |
| 14-131.0252 | 9 | 14-335.022K | 11 | 14-476.036 | 14 |
| 14-132.0252 | 10 | 14-335.022K | 15 | 14-476.036 | 8 |
| 14-132.0252 | 14 | 14-335.025K2 | 11 | 14-476.036 | 9 |
| 14-132.0252 | 8 | 14-335.025K2 | 15 | 14-501.0220 | 12 |
| 14-132.0252 | 9 | 14-336.025K2 | 11 | 14-501.0220 | 16 |
| 14-133.0252 | 10 | 14-336.025K2 | 15 | 14-501.02502 | 12 |

Index from Typ-Nr.

| Typ-Nr. | Page | Typ-Nr. | Page | Typ-Nr. | Page |
|--------------|------|-------------|------|------------|------|
| 14-501.02502 | 16 | 14-748.0292 | 14 | 704.608.9 | 19 |
| 14-502.02502 | 12 | 14-748.0292 | 8 | 704.609.0 | 18 |
| 14-502.02502 | 16 | 14-749.0292 | 10 | 704.609.7 | 18 |
| 14-503.02502 | 12 | 14-749.0292 | 14 | 704.609.9 | 18 |
| 14-503.02502 | 16 | 14-749.0292 | 8 | 704.609.9 | 18 |
| 14-504.02502 | 12 | 14-750.0292 | 10 | 704.610.7 | 19 |
| 14-504.02502 | 16 | 14-750.0292 | 14 | 704.610.9 | 19 |
| 14-506.0220 | 12 | 14-750.0292 | 8 | 704.611.2 | 17 |
| 14-506.0220 | 16 | 14-810.002 | 7 | 704.611.4 | 17 |
| 14-506.02502 | 12 | 14-810.902 | 7 | 704.611.5 | 17 |
| 14-506.02502 | 16 | 14-810.910 | 13 | 704.611.7 | 17 |
| 14-507.02502 | 12 | 14-810.918 | 13 | 704.614.2 | 18 |
| 14-507.02502 | 16 | 14-910 | 25 | 704.614.4 | 18 |
| 14-508.02502 | 12 | 14-958.0 | 19 | 704.614.5 | 18 |
| 14-508.02502 | 16 | 14-958.8 | 19 | 704.614.6 | 18 |
| 14-509.02502 | 12 | 14-987.1001 | 22 | 704.614.7 | 18 |
| 14-509.02502 | 16 | 31-928 | 23 | 704.925.0 | 20 |
| 14-515.0360 | 12 | 31-929 | 23 | 704.925.2 | 20 |
| 14-515.0360 | 16 | 31-940 | 22 | 704.925.3 | 20 |
| 14-516.0360 | 12 | 31-941 | 22 | 704.928.18 | 21 |
| 14-516.0360 | 16 | 31-942 | 22 | 704.928.28 | 21 |
| 14-517.0360 | 12 | 31-945 | 22 | 704.928.38 | 21 |
| 14-517.0360 | 16 | 31-946 | 22 | 704.945.1 | 26 |
| 14-520.0360 | 12 | 61-9481.6 | 26 | 704.945.2 | 26 |
| 14-520.0360 | 16 | 700.006.0 | 25 | 704.945.3 | 26 |
| 14-521.0360 | 12 | 704.600.0 | 19 | 704.945.4 | 26 |
| 14-521.0360 | 16 | 704.600.1 | 19 | 704.945.5 | 26 |
| 14-522.0360 | 12 | 704.600.1A | 19 | 704.945.6 | 26 |
| 14-522.0360 | 16 | 704.600.2 | 21 | 704.953.0 | 21 |
| 14-551.0220 | 12 | 704.600.3 | 21 | 704.954.0 | 25 |
| 14-551.02502 | 12 | 704.600.5/A | 21 | 704.955.0 | 20 |
| 14-552.02502 | 12 | 704.600.6 | 19 | 704.955.1 | 20 |
| 14-553.02502 | 12 | 704.600.9 | 19 | 704.955.3 | 21 |
| 14-554.02502 | 12 | 704.601.0 | 17 | 704.955.4 | 21 |
| 14-556.0220 | 12 | 704.601.01 | 17 | 704.955.9 | 20 |
| 14-556.02502 | 12 | 704.601.2 | 17 | 704.955.9E | 21 |
| 14-557.02502 | 12 | 704.601.21 | 17 | 704.960.0 | 25 |
| 14-558.02502 | 12 | 704.601.4 | 17 | 704.960.4 | 22 |
| 14-559.02502 | 12 | 704.601.41 | 17 | 704.960.8 | 25 |
| 14-565.0360 | 12 | 704.601.5 | 17 | 704.964.8 | 22 |
| 14-566.0360 | 12 | 704.601.51 | 17 | 704.968.0 | 20 |
| 14-567.0360 | 12 | 704.601.6 | 17 | 704.968.1 | 20 |
| 14-570.0360 | 12 | 704.601.61 | 17 | 704.968.2 | 20 |
| 14-571.0360 | 12 | 704.601.8 | 17 | 704.968.3 | 20 |
| 14-572.0360 | 12 | 704.601.81 | 17 | | |
| 14-741.006 | 6 | 704.601.9 | 17 | | |
| 14-742.006 | 6 | 704.601.91 | 17 | | |
| 14-743.0292 | 10 | 704.602.0 | 17 | | |
| 14-743.0292 | 14 | 704.602.2 | 17 | | |
| 14-743.0292 | 8 | 704.602.4 | 17 | | |
| 14-744.0292 | 10 | 704.602.5 | 17 | | |
| 14-744.0292 | 14 | 704.602.6 | 17 | | |
| 14-744.0292 | 8 | 704.602.7 | 17 | | |
| 14-745.0292 | 10 | 704.603.2 | 18 | | |
| 14-745.0292 | 14 | 704.603.4 | 18 | | |
| 14-745.0292 | 8 | 704.603.5 | 18 | | |
| 14-746.0292 | 10 | 704.603.6 | 18 | | |
| 14-746.0292 | 14 | 704.603.7 | 18 | | |
| 14-746.0292 | 8 | 704.604.0 | 18 | | |
| 14-747.0292 | 10 | 704.604.2 | 18 | | |
| 14-747.0292 | 14 | 704.604.4 | 18 | | |
| 14-747.0292 | 8 | 704.604.5 | 18 | | |
| 14-748.0292 | 10 | 704.608.7 | 19 | | |

| | |
|----------------|---|
| | EAO AG |
| | Tannwaldstrasse 88 4601 Olten, Switzerland |
| E-mail | info@eao.com |
| Website | www.eao.com |
| | Austria |
| Phone | +49 201 85 87 0 |
| Fax | +49 201 85 87 210 |
| E-mail | sales.ede@eao.com |
| | Belgium |
| Phone | +32 3 777 82 36 |
| Fax | +32 3 777 84 19 |
| E-mail | sales.ebl@eao.com |
| | China |
| Phone | +852 27 86 91 41 |
| Fax | +852 27 86 95 61 |
| E-mail | sales.ehk@eao.com |
| | France |
| Phone | +33 1 64 43 37 37 |
| Fax | +33 1 64 43 37 49 |
| E-mail | sales.esa@eao.com |
| | Germany |
| Phone | +49 201 85 87 0 |
| Fax | +49 201 85 87 210 |
| E-mail | sales.ede@eao.com |
| | Italy |
| Phone | +39 035 481 0189 |
| Fax | +39 035 481 3786 |
| E-mail | sales.eit@eao.com |
| | Japan |
| Phone | +81 3 5444 5411 |
| Fax | +81 3 5444 0345 |
| E-mail | sales.esj@eao.com |
| | Netherlands |
| Phone | +31 78 653 17 00 |
| Fax | +31 78 653 17 99 |
| E-mail | sales.enl@eao.com |
| | Sweden |
| Phone | +46 8 683 86 60 |
| Fax | +46 8 724 29 12 |
| E-mail | sales.esw@eao.com |
| | Switzerland |
| Phone | +41 62 388 95 00 |
| Fax | +41 62 388 95 55 |
| E-mail | sales.ech@eao.com |
| | United Kingdom |
| Phone | +44 1444 236 000 |
| Fax | +44 1444 236 641 |
| E-mail | sales.euk@eao.com |
| | USA |
| Phone | +1 203 877 4577 |
| Fax | +1 203 877 3694 |
| E-mail | sales.eus@eao.com |
| | Other Countries |
| Phone | +41 62 286 92 10 |
| Fax | +41 62 296 21 62 |
| E-mail | info@eao.com |

Данный компонент на территории Российской Федерации

Вы можете приобрести в компании MosChip.

Для оперативного оформления запроса Вам необходимо перейти по данной ссылке:

<http://moschip.ru/get-element>

Вы можете разместить у нас заказ для любого Вашего проекта, будь то серийное производство или разработка единичного прибора.

В нашем ассортименте представлены ведущие мировые производители активных и пассивных электронных компонентов.

Нашей специализацией является поставка электронной компонентной базы двойного назначения, продукции таких производителей как XILINX, Intel (ex.ALTERA), Vicor, Microchip, Texas Instruments, Analog Devices, Mini-Circuits, Amphenol, Glenair.

Сотрудничество с глобальными дистрибьюторами электронных компонентов, предоставляет возможность заказывать и получать с международных складов практически любой перечень компонентов в оптимальные для Вас сроки.

На всех этапах разработки и производства наши партнеры могут получить квалифицированную поддержку опытных инженеров.

Система менеджмента качества компании отвечает требованиям в соответствии с ГОСТ Р ИСО 9001, ГОСТ РВ 0015-002 и ЭС РД 009

Офис по работе с юридическими лицами:

105318, г.Москва, ул.Щербаковская д.3, офис 1107, 1118, ДЦ «Щербаковский»

Телефон: +7 495 668-12-70 (многоканальный)

Факс: +7 495 668-12-70 (доб.304)

E-mail: info@moschip.ru

Skype отдела продаж:

moschip.ru

moschip.ru_4

moschip.ru_6

moschip.ru_9