

## 2:1 Active HDMI 1.3 Compatible Mux with Advanced Equalization for Enhanced Signal Integrity Description

### Features

- Supply voltage,  $V_{DD} = 3.3V \pm 5\%$
- Compatible w/ DVI, HDMI 1.1, 1.2, and 1.3 signals
- HDMI revision 1.3 support up to 12-bits of color/channel (2.5Gbps)
- Supports both AC-coupled and DC-coupled inputs
- 2:1 Mux
- Configurable output swing control (500mV, 750mV, 1000mV)
- Configurable Pre-Emphasis levels (0dB, 1.5dB, 3.5dB, & 6.0dB)
- Configurable De-Emphasis (0dB, -1.5dB, -3.5dB, -6.0dB)
- Configurable Equalization (1dB, 3.5dB, 6dB, or optimal setting)
- Auto-Flex™ Equalization allws single setting for all cable length support, 1meter to 20meters
- Max Data Rate = 2.5Gbps
- ESD protection = 6kV (typical)
- Inputs w/ built in termination
- Proagation delay = < 2ns input
- Uni-Directional
- Packaging (Pb-free & Green): 56-pad TQFN (ZB56)

Pericom Semiconductor's PI3HDMI421AR 2:1 active mux circuit is targeted for high-resolution video networks that are based on DVI/HDMI standards, and TMDS signal processing. The PI3HDMI421AR is an active 2 TMDS to 1 TMDS mux receiver switch with Hi-Z outputs. The device receives differential signals from selected video components and drives the video display unit. It provides three controllable output swings that can be controlled through a single bit. The allowable output swings are 500mV, 750mV and 1000mV. This solution also provides a unique advanced pre-emphasis technique to increase rise and fall times which are reduced during transmission across long distances.

The maximum DVI/HDMI Bandwidth of 2.5Gbps provides 1920x1080 resolution with 12-bit/channel color depths required by the next Gen HDTV and PC graphics. For consumer video networks, the device sits at the receiver's side to switch between multiple video components. PI3HDMI421AR is the industry's first active DVI/HDMI switch compatible with HDMI rev. 1.3, which ensures transmitting high bandwidth video streams from video components to the display unit.

The Optimized Equalization provides the user a single optimal setting that can provide HDMI compliance for all cable lengths: 2meter, 10meter, 15meter, and 20 meter. Pericom also offers the ability to fine tune the equalization settings in situations where cable length is known.

### Switch Block Diagram



### Pin Configuration



### Function Block Description



### BYTE 1 (Address Assignment)

Address	A6	A5	A4	A3	A2	A1	A0	R/W
Value	1	1	0	A3	A2	A1	A0	R=1/W=0

### BYTE 2 (1st Data byte - Port A control and output control)

Port A and Output Control	S7	S6	S5	S4	S3	S2	S1	S0	Result		
									Swing (mV)	Pre-emphasis (dB)	De-emphasis (dB)
Swing Control	0	0	0	0	x	x	x	x	500	0	0
	0	0	0	1	x	x	x	x	750	0	0
	0	0	1	0	x	x	x	x	1000	0	0
	0	0	1	1	x	x	x	x	N/A	N/A	N/A
Pre-Emphasis	0	1	0	0	x	x	x	x	500	0	0
	0	1	0	1	x	x	x	x	500	1.5	0
	0	1	1	0	x	x	x	x	500	3.5	0
	0	1	1	1	x	x	x	x	750	6.0	0
De-Emphasis	1	0	0	0	x	x	x	x	750	0	0
	1	0	0	1	x	x	x	x	750	0	-1.5
	1	0	1	0	x	x	x	x	750	0	-3.5
	1	0	1	1	x	x	x	x	750	0	-6.0
Output Port Select	x	x	x	x	x	x	0	1	Port A is active		
	x	x	x	x	x	x	1	1	Port B is active		
	x	x	x	x	x	x	x	0	I/O's = Hi-Z		
Equalization (dB)	x	x	x	x	0	0	x	x	1		
	x	x	x	x	0	1	x	x	3.5		
	x	x	x	x	1	0	x	x	Optimized Equalization		
	x	x	x	x	1	1	x	x	8		

### BYTE 3 (2nd Data byte - Port B control)

Port B Control	S7	S6	S5	S4	S3	S2	S1	S0	Result
Equalization (dB)	x	x	x	x	0	0	x	x	1
	x	x	x	x	0	1	x	x	3.5
	x	x	x	x	1	0	x	x	Optimized EQ Setting
	x	x	x	x	1	1	x	x	8

### Maximum Ratings

(Above which useful life may be impaired. For user guidelines, not tested.)

Storage Temperature .....	-65°C to +150°C
Supply Voltage to Ground Potential.....	-0.5V to +5V
DC Input Voltage .....	-0.5V to V <sub>DD</sub>
DC Output Current.....	120mA
Power Dissipation .....	1.0W

**Note:** Stresses greater than those listed under MAXIMUM RATINGS may cause permanent damage to the device. This is a stress rating only and functional operation of the device at these or any other conditions above those indicated in the operational sections of this specification is not implied. Exposure to absolute maximum rating conditions for extended periods may affect reliability.

### Pin Description

Pin #	Pin Name	Type	Description
4, 10, 16, 29, 36, 42, 45, 54	VDD	Power	3.3V power supply
1, 7, 13, 24, 32, 35, 39, 43, 44, 51	GND	Power	0V power supply
22	SCL	I	I <sup>2</sup> C Clock input Signal if and only if, MS = 'HIGH'
23	SDA	I/O	I <sup>2</sup> C Date Input/Output Signal if and only if, MS = 'HIGH'
22, 23	S3, S2 (PortB)	I	If MS = 'LOW', then pins 22 and 23 are control bits S2 and S3 for Port B only, as shown in the truth table on page 3.
48	SEL_IN	I	Control pin used to choose which input signal is active, Port A or Port B. If 'LOW', then Port A is active, if 'HIGH', then Port B is active.
25, 26, 27, 28	A0 - A3	I	I <sup>2</sup> C address inputs if and only if MS = 'HIGH'.
25, 26, 27, 28	S7, S6, S5, S4	I	If MS = 'LOW', then pins 25-28 are control bits S7-S4, as shown in truth table on page 3 of datasheet
50	MS	I	Mode Select Pin. If MS = 'HIGH', then I2C control is active. Pins 25-28 are I <sup>2</sup> C address and pin 22 is SCL and pin 23 is SDA. If MS = 'LOW', then I2C control is inactive and pin programmability is active. Pins 25-28 are control pins S7-S4 and pin 23 is S2 and pin 22 is S3.
20, 21	NC	N/A	No Connect.
19	SEL_OUT	O	Output bit, that provides information to user as to which port is active, if SEL_OUT = 'LOW', then Port A is active, if SEL_OUT = 'HIGH', then Port B is active. Only used when MS pin is 'HIGH'
2, 3, 5, 6, 8, 9, 11, 12, 14, 15, 17, 18, 52, 53, 55, 56	Dx <sup>y</sup> , CLK <sup>y</sup>	I	High Speed TMDS input signals
30, 31, 33, 34, 37, 38, 40, 41	Dx, CLK	O	High Speed TMDS output signals
46, 47	S2, S3 (Port A)	I	If MS = 'LOW', then pins 22 and 23 are control bits S2 and S3 for Port A only, as shown in the truth table on page 3.
49	OE	I	Output is enabled and normal when OE = 'HIGH'. If OE = 'LOW', output is disabled and at Hi-Z

### TMDS Compliance Test Results

Item	HDMI 1.3 Spec	Pericom TMDS Product Spec
<b>Operating Conditions</b>		
Termination Supply Voltage, $A_{VDD}$	$3.3V \leq 5\%$	$3.30 \pm 5\%$
Terminal Resistance	$50\text{-ohm} \pm 10\%$	45 to 55-ohm
<b>Source DC Characteristics at TP1</b>		
Single-ended high level output voltage, $V_H$	$A_{VDD} \pm 10mV$	$A_{VDD} \pm 10mV$
Single-ended low level output voltage, $V_L$	$(A_{VDD} - 600mV) \leq V_L \leq (A_{VDD} - 400mV)$	$(A_{VDD} - 600mV) \leq V_L \leq (A_{VDD} - 400mV)$
Single-ended output swing voltage, $V_{swing}$	$400mV \leq V_{swing} \leq 600mV$	$400mV \leq V_{swing} \leq 600mV$
Single-ended standby (off) output voltage, $V_{off}$	$A_{VDD} \pm 10mV$	$A_{VDD} \pm 10mV$
Single-ended standby (off) output current, $I_{off}$	$ I_{OFF}  < 10\mu A$	$ I_{OFF}  < 10\mu A$
<b>Transmitter AC Characteristics at TP1</b>		
Risetime/Falltime (20%-80%)	$75ps \leq \text{Risetime/Falltime} \leq 0.4 \text{ Tbit}$ ( $75ps \leq tr/tf \leq 242ps$ ) @ 1.65Gbps	240ps
Intra-Pair Skew at Transmitter Connector, max	0.15 Tbit (90.9ps @ 1.65Gbps)	60ps max
Inter-Pair Skew at Transmitter Connector, max	0.2 Tpixel (1.2ns @ 1.65Gbps)	100ps max
Clock Jitter, max	0.25 Tbit (151.5ps @ 1.65Gbps)	82ps max
<b>Sink Operating DC Characteristics at TP2</b>		
Input Differential Voltage Level, $V_{diff}$	$150 \leq V_{diff} \leq 1200mV$	$150mV \leq V_{DIFF} \leq 1200mV$
Input Common Mode Voltage Level, $V_{ICM}$	$(A_{VDD} - 300mV) \leq V_{icm} \leq (A_{VDD} - 37.5mV)$ Or $A_{VDD} \pm 10\%$	$(A_{VDD} - 300mV) \leq V_{icm} \leq (A_{VDD} - 37.5mV)$ Or $A_{VDD} \pm 10\%$
<b>Sink DC Characteristics When Source Disabled or Disconnected at TP2</b>		
Differential Voltage Level	$A_{VDD} \pm 10mV$	$A_{VDD} \pm 10mV$

**DC Electrical Characteristics**<sup>(2,3)</sup> ( $T_A = -40^{\circ}\text{C}$  to  $+85^{\circ}\text{C}$ , unless otherwise noted.  $V_{DD} = 3.3\text{V} \pm 0.3\text{V}$ )

Symbol	Parameter	Test Condition <sup>(1)</sup>	Min.	Typ. <sup>(2)</sup>	Max.	Units
$V_{\text{idiff}}$	Input Differential Voltage Level		150		1200	mVp-p
$V_{\text{icm}}$	Input Common Mode Voltage		1.8		$V_{DD} + 10\%$	V
$V_{\text{diff}}$	Differential Voltage Level		$V_{DD} - 10\text{mV}$	$V_{DD}$	$V_{DD} + 10\text{mV}$	V
$V_{\text{OS}}$	Offset Voltage				$V_{DD} - 250\text{mV}$	V
$V_{\text{IH}}$	Minimum Input High Voltage		1.8			V
$V_{\text{IL}}$	Minimum Input Low Voltage				0.8	V
$I_{\text{CC}}$	Power Supply Current				282	mA

**AC Electrical Characteristics** ( $T_A = -40^{\circ}\text{C}$  to  $+85^{\circ}\text{C}$ ,  $V_{DD} = 3.3\text{V} \pm 0.3\text{V}$ )

Symbol	Parameter	Test Conditions <sup>(1)</sup>	Min.	Typ. <sup>(2)</sup>	Max.	Units
$V_{\text{SEN}}$	Differential Sensitivity (peak-to-peak)		150			mVp-p
$V_{\text{IN}}$	Differential Input (peak-to-peak)				1560	mVp-p
	Allowable Intra-Pair Skew at Sink Connector				50	ps
	Allowable Inter-Pair Skew at Sink Connector				100	ps
	TMDS Clock Jitter			50		ps
$T_{20-80}$	TDR Rise Time				200	ps
	Through connection impedance		85	100	115	$\Omega$
	At Termination Impedance		90	100	110	$\Omega$
$t_{\text{PHLD}}$	Differential Propagation Delay High to Low			1		ns
$t_{\text{PLHD}}$	Differential Propagation Delay Low to High			1		ns
$t_{\text{SKD}}$	Differential Skew   $t_{\text{PHLD}} - t_{\text{PLHD}}$			25		ps
$t_{\text{PHZ}}$	Disable Time High to Z			5		ns
$t_{\text{PLZ}}$	Disable Time Low to Z			5		
$t_{\text{PZH}}$	Enable Time Z to High			1		$\mu\text{s}$
$t_{\text{PZL}}$	Enable Time Z to Low			1		

**Power Supply Characteristics**

Parameters	Description	Test Conditions <sup>(1)</sup>	Min.	Typ. <sup>(2)</sup>	Max.	Units
$I_{\text{CCQ}}$	Quiescent Power Supply Current	$V_{DD} = \text{Max.}, V_{\text{IN}} = V_{DD}, \text{OE} = \text{'LOW'}$		1		mA

**Notes:**

- For Max. or Min. conditions, use appropriate value specified under Electrical Characteristics for the applicable device type.
- Typical values are at  $V_{DD} = 3.3\text{V}$ ,  $T_A = 25^{\circ}\text{C}$  ambient and maximum loading.

**Normalized Eye Diagram Mask at TP1 for Source Requirements**

**Absolute Eye Diagram Mask at TP2 for Sink Requirements**


**Application Information - Recommended layout for 2 HDMI Input System**



**Application Information**

PI3HDMI421AR can be used to re-drive HDMI or DVI signals across internal cables or long FR4 trace lengths.

If a DTV is designed with a side/front HDMI connector, a separate daughter card is needed for the side/front HDMI connector and Pericom re-driver.

ATC compliance **MUST** only be maintained from the front/side connector to the PI3HDMI421AR IC. After the PI3HDMI421AR signal integrity will be taken care of through the powerful pre-emphasis technique of the Pericom solution.

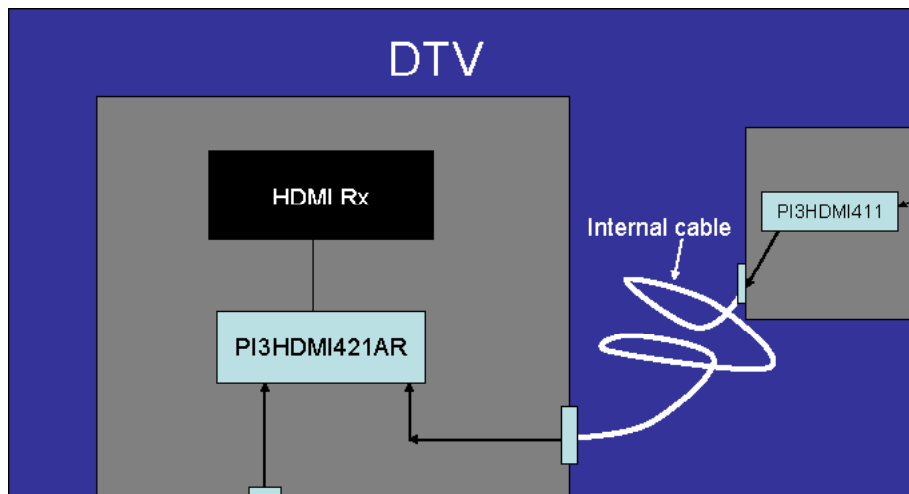


Figure 1: DTV with 2 HDMI connectors (1 HDMI in back & 1 HDMI on the side)



Figure 2: Signal integrity analysis test setup





Figure 3: 8bit deep color DVI/HDMI TX eye tested with 2 meter. 30 AWG HDMI cable. Setting: Optimized equalization, 0dB output pre-emphasis and de-emphasis, and Swing 500mV.

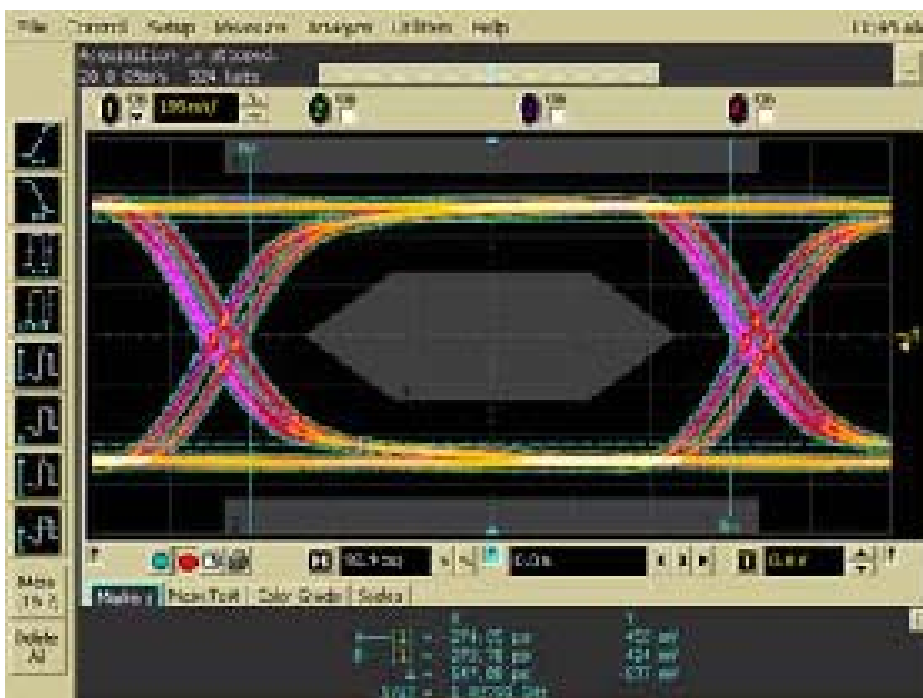


Figure 4: 8bit deep color DVI/HDMI TX eye tested with 10 meter. 24 AWG HDMI cable. Setting: Optimized equalization, 0dB output pre-emphasis and de-emphasis, and Swing 500mV.



Figure 5: 8bit deep color DVI/HDMI TX eye tested with 20 meter. 24 AWG HDMI cable. Setting: Optimized equalization, 0dB output pre-emphasis and de-emphasis, and Swing 500mV.

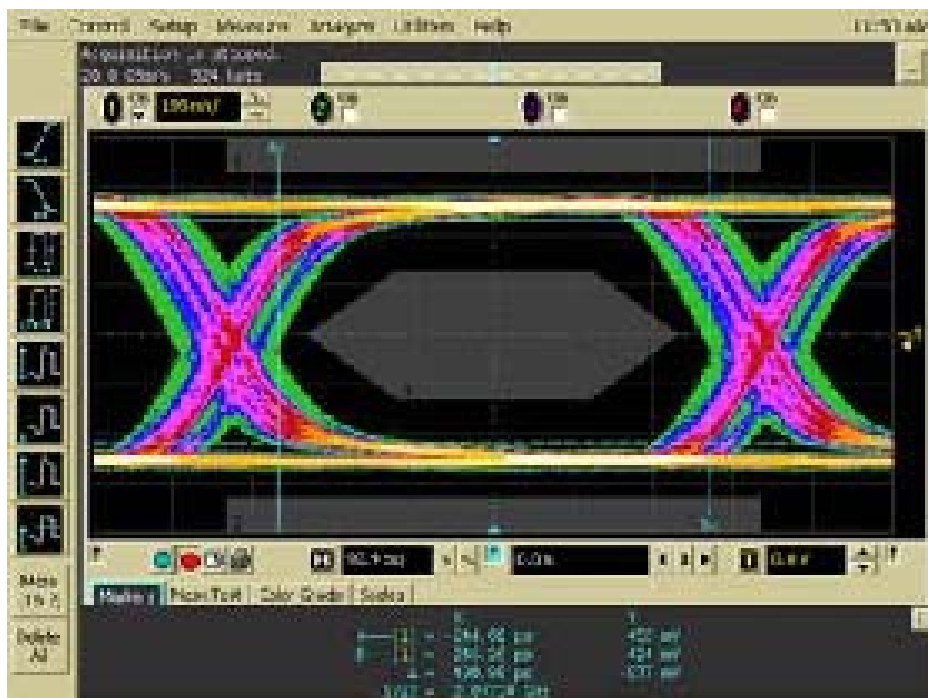


Figure 6: 8bit deep color DVI/HDMI TX eye tested with 25 meter. 24 AWG HDMI cable. Setting: Optimized equalization, 0dB output pre-emphasis and de-emphasis, and Swing 500mV.



Figure 7: 12bit deep color DVI/HDMI TX eye tested with 1 meter. 30 AWG HDMI cable. Setting: Optimized equalization, 0dB output pre-emphasis and de-emphasis, and Swing 500mV.



Figure 8: 12bit deep color DVI/HDMI TX eye tested with 20 meter. 24 AWG HDMI cable. Setting: Optimized equalization, 0dB output pre-emphasis and de-emphasis, and Swing 500mV.



### Ordering Information

Ordering Code	Package Code	Package Description
PI3HDMI421ARZBE	ZB	56-pin, Pb-free & Green TQFN

**Notes:**

- Thermal characteristics can be found on the company web site at [www.pericom.com/packaging/](http://www.pericom.com/packaging/)
- E = Pb-free and Green
- Adding an X Suffix = Tape/Reel

# Mouser Electronics

Authorized Distributor

Click to View Pricing, Inventory, Delivery & Lifecycle Information:

## Diodes Incorporated:

[PI3LVD812ZPE](#) [PI3LVD812ZPEX](#) [PI3HDMI421ARZBE](#) [PI3HDMI411ADZBEX](#) [PI3HDMI421ARZBEX](#)  
[PI3WVR31212AZLE](#) [PI3WVR31313AZLE](#) [PI3HDMI341ARCFE](#) [PI3LVD412ZHE](#) [PI3LVD412ZHEX](#)  
[PI3WVR31212ZLE](#)

## Данный компонент на территории Российской Федерации

### Вы можете приобрести в компании MosChip.

Для оперативного оформления запроса Вам необходимо перейти по данной ссылке:

<http://moschip.ru/get-element>

Вы можете разместить у нас заказ для любого Вашего проекта, будь то серийное производство или разработка единичного прибора.

В нашем ассортименте представлены ведущие мировые производители активных и пассивных электронных компонентов.

Нашей специализацией является поставка электронной компонентной базы двойного назначения, продукции таких производителей как XILINX, Intel (ex.ALTERA), Vicor, Microchip, Texas Instruments, Analog Devices, Mini-Circuits, Amphenol, Glenair.

Сотрудничество с глобальными дистрибьюторами электронных компонентов, предоставляет возможность заказывать и получать с международных складов практически любой перечень компонентов в оптимальные для Вас сроки.

На всех этапах разработки и производства наши партнеры могут получить квалифицированную поддержку опытных инженеров.

Система менеджмента качества компании отвечает требованиям в соответствии с ГОСТ Р ИСО 9001, ГОСТ РВ 0015-002 и ЭС РД 009

### Офис по работе с юридическими лицами:

105318, г.Москва, ул.Щербаковская д.3, офис 1107, 1118, ДЦ «Щербаковский»

Телефон: +7 495 668-12-70 (многоканальный)

Факс: +7 495 668-12-70 (доб.304)

E-mail: [info@moschip.ru](mailto:info@moschip.ru)

Skype отдела продаж:

moschip.ru

moschip.ru\_4

moschip.ru\_6

moschip.ru\_9