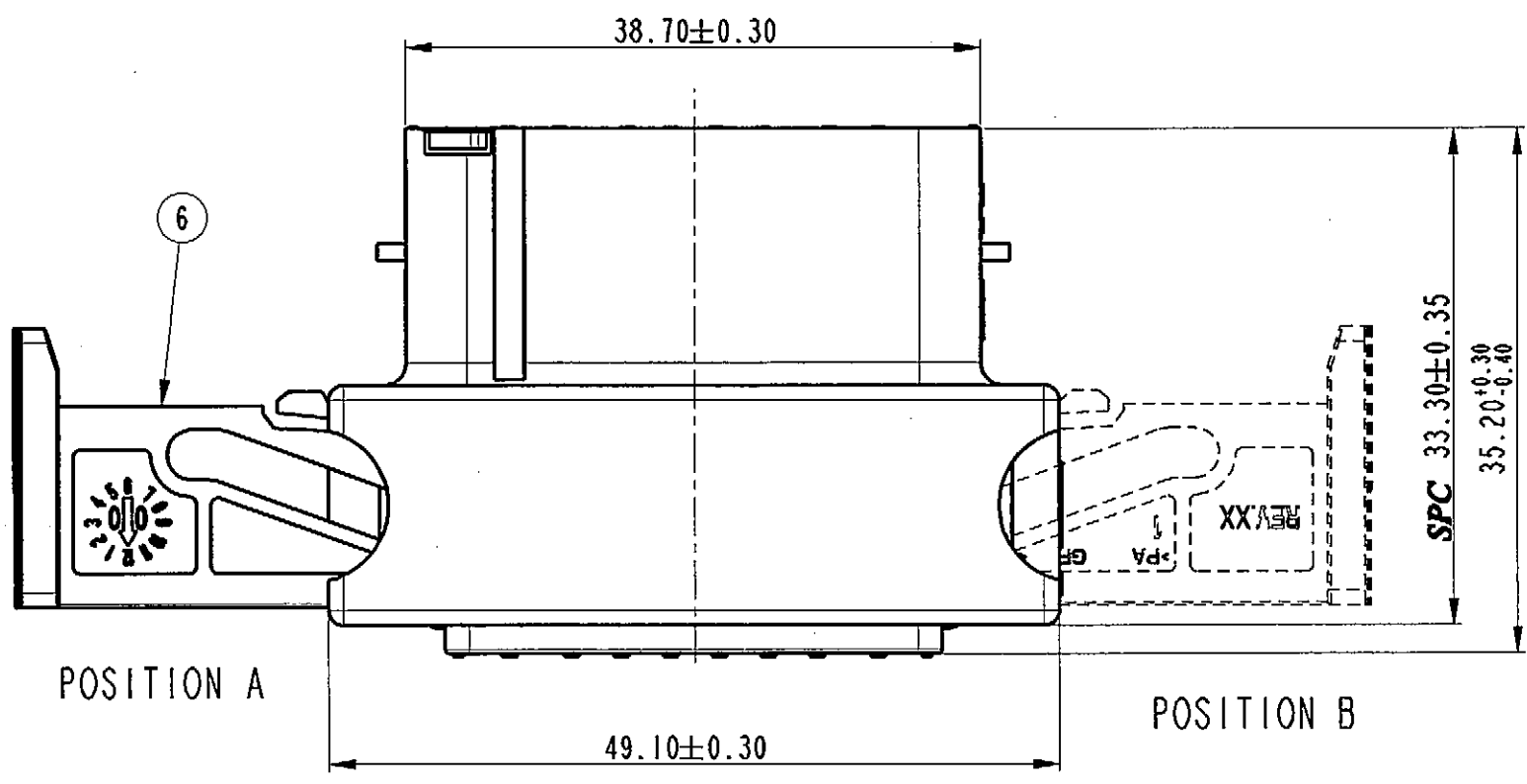
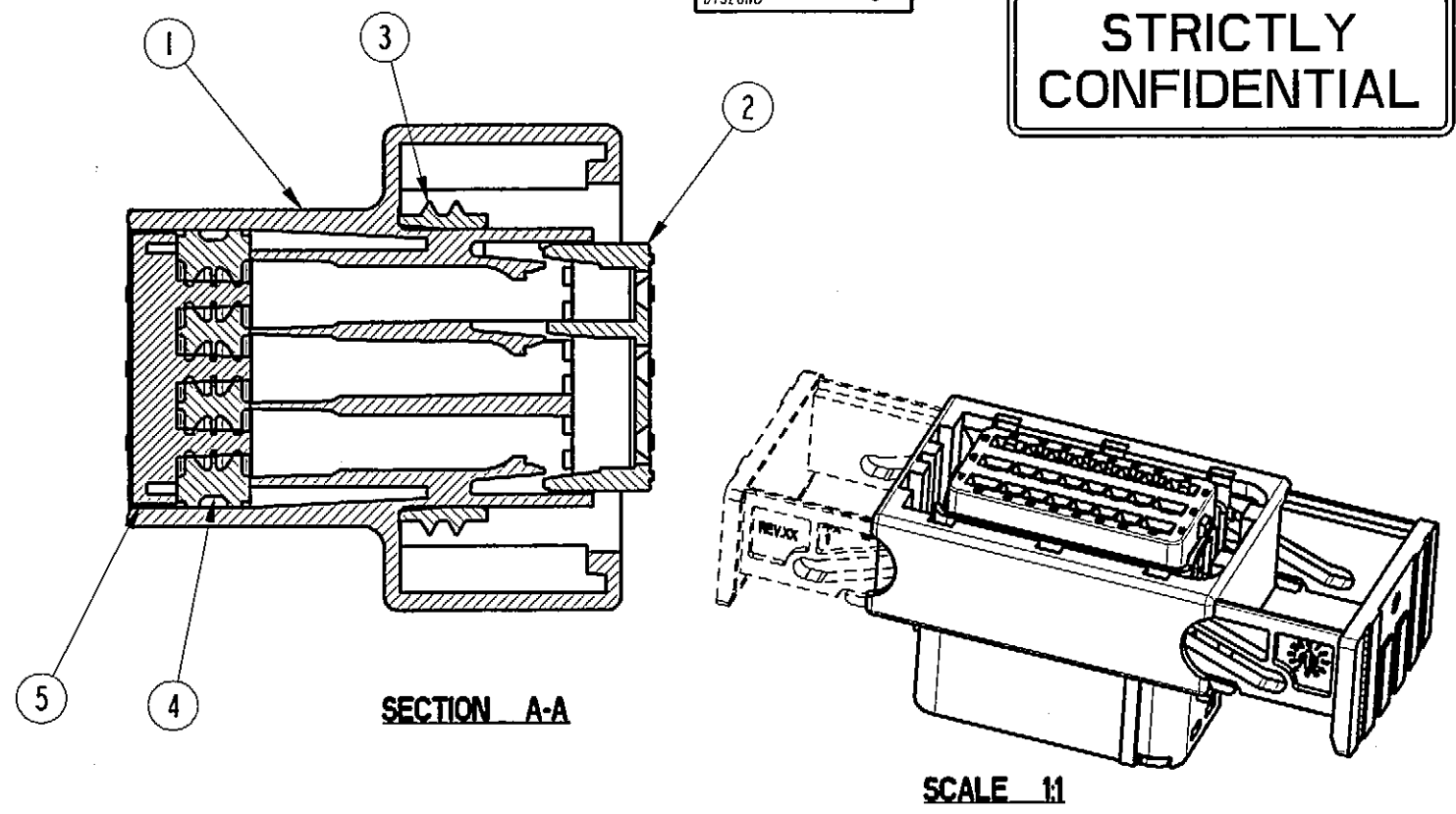
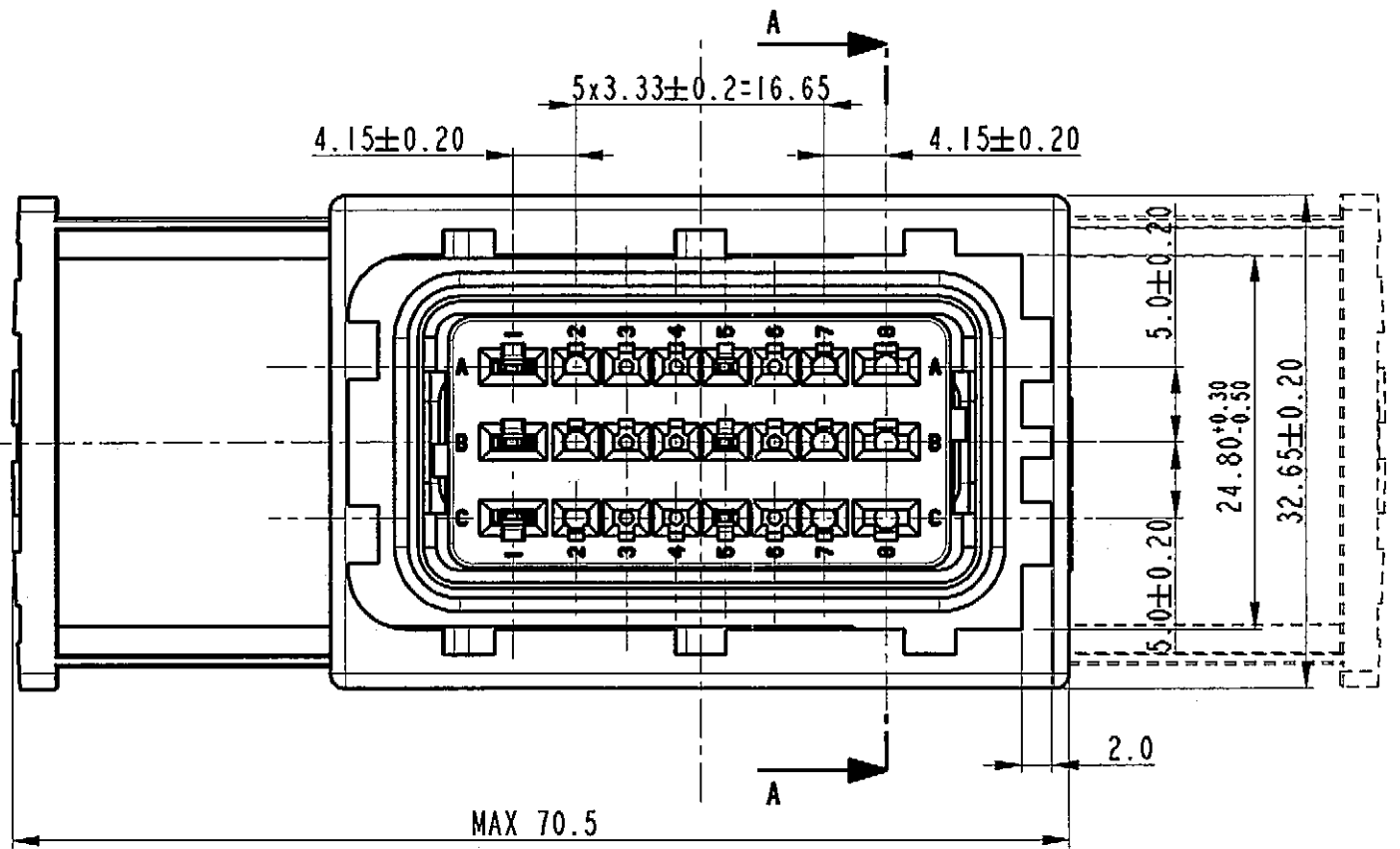


STRICTLY CONFIDENTIAL



N°	DESCRIPTION	COLOR	MATERIAL
1	HOUSING	BLACK-BROWN BLUE-GREY	SEE SHEET 2/3-3/3
2	SEC. LOCK	YELLOW	PBT
3	GASKET	RED	SILICON
4	GROMMET	RED, GREEN or BLUE	SILICON
5	GROMMET STOP	BLACK-BROWN	PBT
6	SLED	VIOLET or GREY	PA 6.6

SPC Statistical Process Control

ECN-NO. NUMERO -ECN	DATE DATA	REVISION REVISIONE	POSITION POSIZIONE	CHANGE DESCRIPTION DESCRIZIONE MODIFICA	DRAWN BY DISEGNATORE	CHK. BY CONTROLLATO	APPR. BY APPROVATO
ECN 17/04	28/05/04	07		See ECN Documentation			
ECN 10/04	17/02/04	06		ADDED 3 CATALOG NUMBERS (SEE SHEET 3)	R.R.	G.S.	
ECN 41/03	05/11/03	05		RELEASED FOR PRODUCTION	R.R.	G.S.	
	28/10/03	04		UPDATED DRAWING	R.R.	G.S.	
	01/09/03	03		MODIFIED MATERIAL FOR THE FOLLOWING P/N 211PC249SX020 - 211PC249SX023 - 1211PC249SX033 WAS PA6 GF 15 PBT GF	R.R.	G.S.	
	28/05/03	02		ADDED P/N 211PC249SX043	R.R.	G.S.	
	21/03/03	01		UPDATED DRAWING	R.R.	G.S.	

CODING TABLE
Tavola di codifica

TOLERANCES ±0.2
Tolleranze

FRONT VIEW
Vista frontale

■: FULL
Pieno

COLOR	BLACK	GREY	BROWN	BLUE
Dimensions	8.0, 2.0, 8.4	8.4, 6.4±0.2	4.0, 4.2, 3.8, 0.2±0.1	4.2, 4.0, 3.8, 0.2±0.1
Material	BLACK	GREY	BROWN	BLUE

PRODUCT SPEC. SPEC. DI PRODOTTO: --

PACKAGING SPEC. SPEC. DI IMBALLAGGIO: --

APPLICATION SPEC. SPEC. DI APPLICAZIONE: --

THIS DRAWING AND ALL OTHER INFORMATION CONTAINED THEREIN IS PROPRIETARY AND THE PROPERTY OF FCI. THIS DRAWING MAY NOT BE COPIED, REPRODUCED OR DISCLOSED TO ANY THIRD PARTY WITHOUT THE EXPRESSED WRITTEN PERMISSION OF FCI. © FCI April 1999

QUESTO DISEGNO ED OGNI ALTRA INFORMAZIONE IN ESSO CONTENUTA SONO ESCLUSIVI E DI PROPRIETA' DELLA FCI. QUESTO DISEGNO NON PUO' ESSERE COPIATO, RIPRODOTTO O DIVULGATO A TERZI SENZA L'ESPRESSO CONSENSO SCRITTO DELLA FCI. © FCI April 1999

TOLERANCES TOLLERANZE: ± 0.2mm. / ± 0.5°

MATERIAL: MATERIALE: SEE TABLE

CAD SYSTEM: pro / eng.

ISO PROJECTION PROIEZIONE ISO: A

DIMENSION IN MILLIMETERS DIMENSIONI IN MILLISEGNI: A3

DO NOT SCALE DRAWING DISEGNO FUORI SCALA

LOC. CODE NAZIONALITA': I

DRAWN BY DATE NAME TITLE: 09/01/03 R. Rampone 24 WAYS SECTIONING ASSEMBLY FEMALE HOLDER

CHECKED BY: 09/01/03 G. Stella

APPROVED BY: ESR NO. NUMERO ESR: ITA2043 FILE NAME HOME FILE: FSC 309602

DRAWING NUMBER NUMERO DISEGNO: FSC 309602

CAT. NO. NUMERO CAT.: SEE TABLE ON SHEET 2 of 3 AND 3 of 3

SHEET FOGLIO: 1 of 3

SCALE SCALA: 2:1

PLEASE COPY WHEN IN RED

STRICTLY CONFIDENTIAL

COMPONENTS

P/N ASSEMBLY	HOUSING	HOUSING MATERIAL	SEC. LOCK	GASKET	GROMMET "RED"	GROMMET "GREEN"	GROMMET "BLUE"	GROMMET STOP "France"	GROMMET STOP "Italy"	SLED VIOLET "RENAULT"	SLED VIOLET "NEUTRAL" POSITION A	SLED VIOLET "NEUTRAL" POSITION B	SLED "GREY"	DETAIL X
2IIPC249S0018	Black	PA 6	Yes	Yes	Yes			Yes			Yes			
2IIPC249S1018	Brown	PA 6	Yes	Yes	Yes			Yes			Yes			
2IIPC249S6018	Blue	PA 6	Yes	Yes	Yes			Yes			Yes			
2IIPC249S8018	Grey	PA 6	Yes	Yes	Yes			Yes			Yes			
2IIPC249S0031	Black	PA 6	Yes	Yes	Yes			Yes				Yes		
2IIPC249S1031	Brown	PA 6	Yes	Yes	Yes			Yes				Yes		
2IIPC249S6031	Blue	PA 6	Yes	Yes	Yes			Yes				Yes		
2IIPC249S8031	Grey	PA 6	Yes	Yes	Yes			Yes				Yes		
2IIPC249S0020	Black	PBT	Yes											
2IIPC249S1020	Brown	PBT	Yes											
2IIPC249S6020	Blue	PBT	Yes											
2IIPC249S8020	Grey	PBT	Yes											
2IIPC249S0023	Black	PBT	Yes	Yes	Yes				Yes					
2IIPC249S1023	Brown	PBT	Yes	Yes	Yes				Yes					
2IIPC249S6023	Blue	PBT	Yes	Yes	Yes				Yes					
2IIPC249S8023	Grey	PBT	Yes	Yes	Yes				Yes					
2IIPC249S0033	Black	PBT	Yes	Yes		Yes			Yes					
2IIPC249S1033	Brown	PBT	Yes	Yes		Yes			Yes					
2IIPC249S6033	Blue	PBT	Yes	Yes		Yes			Yes					
2IIPC249S8033	Grey	PBT	Yes	Yes		Yes			Yes					
2IIPC249S0043	Black	PA 6	Yes	Yes			Yes	Yes						
2IIPC249S1043	Brown	PA 6	Yes	Yes			Yes	Yes						
2IIPC249S6043	Blue	PA 6	Yes	Yes			Yes	Yes						
2IIPC249S8043	Grey	PA 6	Yes	Yes			Yes	Yes						

DRAWING COPY WHEN IN RED

ECN 17/04	28/05/04	07	See ECN Documentation
ECN 10/04	17/02/04	06	ADDED 3 CATALOG NUMBERS (SEE SHEET 3) R.R.G.S.
ECN 41/03	05/11/03	05	RELEASED FOR PRODUCTION R.R.G.S.
	28/10/03	04	UPDATED DRAWING R.R.G.S.
	01/09/03	03	MODIFIED MATERIAL FOR THE FOLLOWING P/N 2IIPC249S020 - 2IIPC249S023 - 12IIPC249S033 WAS PA6 GF IS PBT GF R.R.G.S.
	28/05/03	02	ADDED P/N 2IIPC249S043 R.R.G.S.
	21/03/03	01	UPDATED DRAWING R.R.G.S.
ECN-NO. NUMERO - ECH	DATE DATA	REVISION REVISIONE	POSITION POSIZIONE
CHANGE DESCRIPTION DESCRIZIONE MODIFICA			DRAWN BY DISEGNATORE
PRODUCT SPEC. SPEC. DI PRODOTTO			CHK. BY CONTROLLO
PACKAGING SPEC. SPEC. DI IMBALLAGGIO			APPR. BY APPROVATO
APPLICATION SPEC. SPEC. DI APPLICAZIONE			
THIS DRAWING AND ALL OTHER INFORMATION CONTAINED THEREIN IS PROPRIETARY AND THE PROPERTY OF FCI. This drawing may not be copied, reproduced or disclosed to any third party without the expressed written permission of FCI. © FCI April 1999			
QUESTO DISEGNO ED OGNI ALTRA INFORMAZIONE IN ESSO CONTENUTA SONO ESCLUSIVI E DI PROPRIETA' DELLA FCI. Questo disegno non puo' essere copiato, riprodotto o divulgato a terzi senza l' espresso consenso scritto della FCI. © FCI April 1999			
TOLERANCES TOLLERANZE	MATERIAL : MATERIALE	SURFACE FINISH FINITURA SUPERFICIALE	
± 0.2mm. / ±0.5°	SEE TABLE		
DO NOT SCALE DRAWING DISEGNO FUORI SCALA	COLOUR : COLORE	LOC. CODE NAZIONALITA' I	
	TOOL NO.		
DRAWN BY DISEGNATORE	DATE DATA	TITLE DESCRIZIONE	
CHECKED BY CONTROLLATO	NAME NOME	24 WAYS SECTIONING ASSEMBLY FEMALE HOLDER	
APPROVED BY APPROVATO		DRAWING NUMBER NUMERO DISEGNO FSC 309602	
	ESR NO. NUMERO ESR	FILE NAME NOME FILE	SHEET FOGLIO
	ITA2043	FSC 309602	2
			of 1 di 3
		CAT. NO. NUMERO CAT.	SCALE SCALA
		SEE TABLE	2:1

FCI

ISO PROJECTION PROIEZIONE ISO
 DIMENSION IN MILLIMETERS DIMENSIONI IN MILLIMETRI

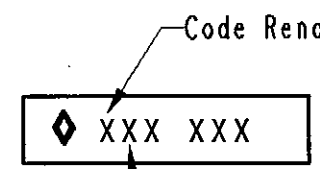
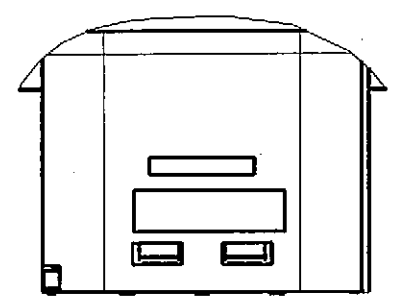
CAD SYSTEM pro / eng.
 DWG SIZE FORMATO A3

STRICTLY CONFIDENTIAL

COMPONENTS

P/N ASSEMBLY	HOUSING	HOUSING MATERIAL	SEC. LOCK	GASKET	GROMMET "RED"	GROMMET "GREEN"	GROMMET "BLUE"	GROMMET STOP "France"	GROMMET STOP "Italy"	SLED VIOLET "RENAULT"	SLED VIOLET "NEUTRAL" POSITION A	SLED VIOLET "NEUTRAL" POSITION B	SLED "GREY"	DETAIL X
2IIPC249S0005	Black	PBT	Yes	Yes	Yes			Yes						Yes
2IIPC249S1005	Brown	PBT	Yes	Yes	Yes			Yes						Yes
2IIPC249S6005	Blue	PBT	Yes	Yes	Yes			Yes						Yes
2IIPC249S8005	Grey	PBT	Yes	Yes	Yes			Yes						Yes
2IIPC249S0053	Black	PBT	Yes	Yes		Yes			Yes			Yes		
2IIPC249S1053	Brown	PBT	Yes	Yes		Yes			Yes			Yes		
2IIPC249S8053	Grey	PBT	Yes	Yes		Yes			Yes			Yes		

DETAIL "X"
 (Specific only for Renault Version)



Code Renault

Text height 2 mm in relief 0.1 mm

ECN 17/04	28/05/04	07		See ECN Documentation			
ECN 10/04	17/02/04	06		ADDED 3 CATALOG NUMBERS (SEE SHEET 3)	R.R.	G.S.	
ECN 41/03	05/11/03	05		RELEASED FOR PRODUCTION	R.R.	G.S.	
	28/10/03	04		UPDATED DRAWING	R.R.	G.S.	
	01/09/03	03		MODIFIED MATERIAL FOR THE FOLLOWING P/N 2IIPC249SX020 - 2IIPC249SX023 - 12IIPC249SX033 WAS PA6 GF 15 PBT GF	R.R.	G.S.	
	28/05/03	02		ADDED P/N 2IIPC249SX043	R.R.	G.S.	
	21/03/03	01		UPDATED DRAWING	R.R.	G.S.	
ECN-NO. NUMERO - ECH	DATE DD / MM / YY DATA	REVISION REVISIONE	POSITION POSIZIONE	CHANGE DESCRIPTION DESCRIZIONE MODIFICA	DRAWN BY DISEGNATORE	CHK. BY CONTROLLATO	APPR. BY APPROVATO
PRODUCT SPEC. SPEC. DI PRODOTTO	PACKAGING SPEC. SPEC. DI IMBALLAGGIO	APPLICATION SPEC. SPEC. DI APPLICAZIONE	THIS DRAWING AND ALL OTHER INFORMATION CONTAINED THEREIN IS PROPRIETARY AND THE PROPERTY OF FCI. This drawing may not be copied, reproduced or disclosed to any third party without the expressed written permission of FCI. © FCI April 1999		QUESTO DISEGNO ED OGNI ALTRA INFORMAZIONE IN ESSO CONTENUTA SONO ESCLUSIVI E DI PROPRIETA' DELLA FCI. Questo disegno non può essere copiato, riprodotto o divulgato a terzi senza l'espresso consenso scritto della FCI. © FCI April 1999		
TOLERANCES TOLLERANZE		MATERIAL : MATERIALE :		SURFACE FINISH FINITURA SUPERFICIALE		CAD SYSTEM	
± 0.2mm. / ±0.5°		SEE TABLE				ISO PROJECTION PROIEZIONE ISO	
DO NOT SCALE DRAWING DISEGNO FUORI SCALA		COLOUR : COLORE :		TOOL NO.		DRAWING NUMBER NUMERO DISEGNO	
				LOC. CODE NAZIONALITA'		FSC 309602	
DRAWN BY DISEGNATORE		NAME NOME		TITLE DESCRIZIONE		SHEET FOGLIO	
09/01/03		R. Rampone		24 WAYS SECTIONING ASSEMBLY FEMALE HOLDER		3 of 3	
CHECKED BY CONTROLLATO		09/01/03		G. Stella		3	
APPROVED BY APPROVATO		ESR NO. NUMERO ESR		FILE NAME NONE FILE		SCALE SCALA	
		ITA2043		FSC 309602		1:1	

TRACED COPY WHEN IN RED

Данный компонент на территории Российской Федерации

Вы можете приобрести в компании MosChip.

Для оперативного оформления запроса Вам необходимо перейти по данной ссылке:

<http://moschip.ru/get-element>

Вы можете разместить у нас заказ для любого Вашего проекта, будь то серийное производство или разработка единичного прибора.

В нашем ассортименте представлены ведущие мировые производители активных и пассивных электронных компонентов.

Нашей специализацией является поставка электронной компонентной базы двойного назначения, продукции таких производителей как XILINX, Intel (ex.ALTERA), Vicor, Microchip, Texas Instruments, Analog Devices, Mini-Circuits, Amphenol, Glenair.

Сотрудничество с глобальными дистрибьюторами электронных компонентов, предоставляет возможность заказывать и получать с международных складов практически любой перечень компонентов в оптимальные для Вас сроки.

На всех этапах разработки и производства наши партнеры могут получить квалифицированную поддержку опытных инженеров.

Система менеджмента качества компании отвечает требованиям в соответствии с ГОСТ Р ИСО 9001, ГОСТ РВ 0015-002 и ЭС РД 009

Офис по работе с юридическими лицами:

105318, г.Москва, ул.Щербаковская д.3, офис 1107, 1118, ДЦ «Щербаковский»

Телефон: +7 495 668-12-70 (многоканальный)

Факс: +7 495 668-12-70 (доб.304)

E-mail: info@moschip.ru

Skype отдела продаж:

moschip.ru

moschip.ru_4

moschip.ru_6

moschip.ru_9