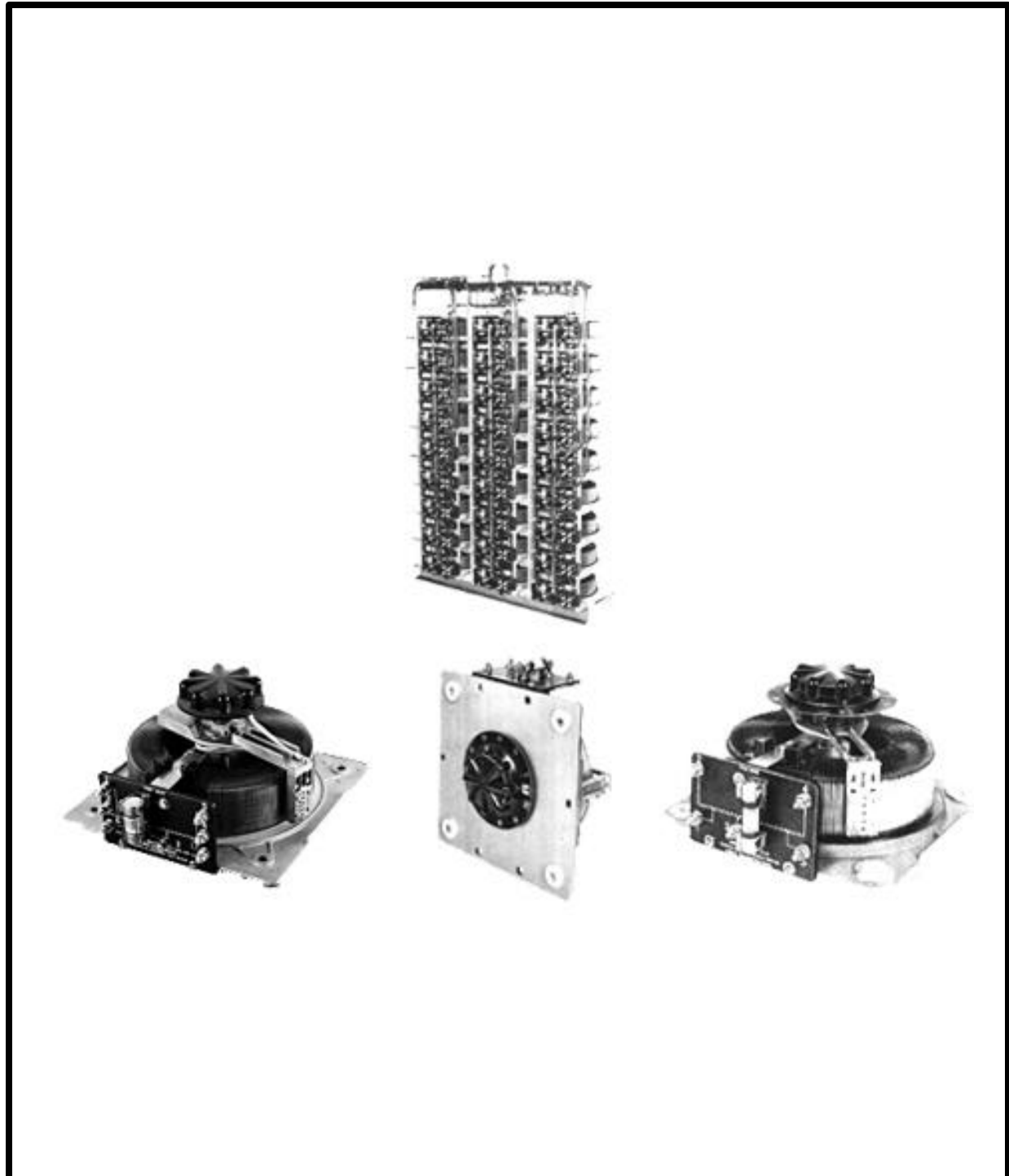
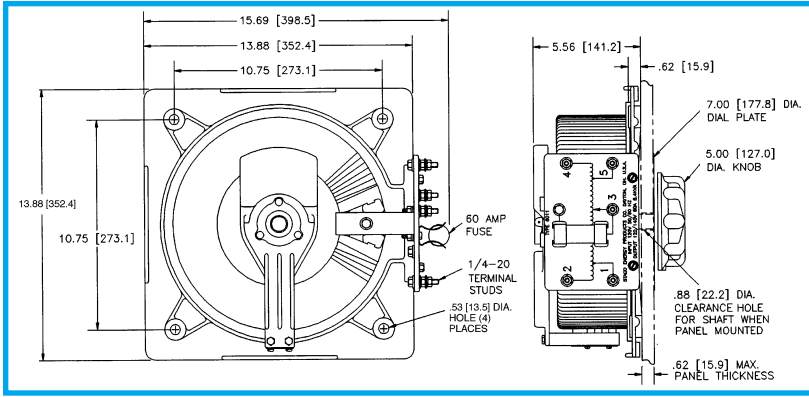


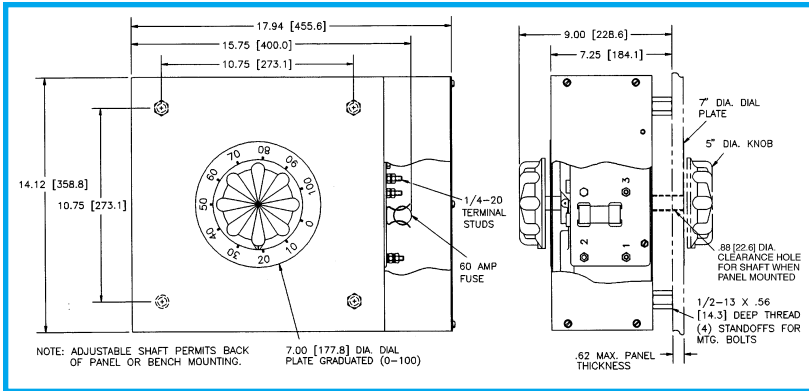
**Variable Transformers
Series 6000 • 35.0 to 315.0 Amperes**



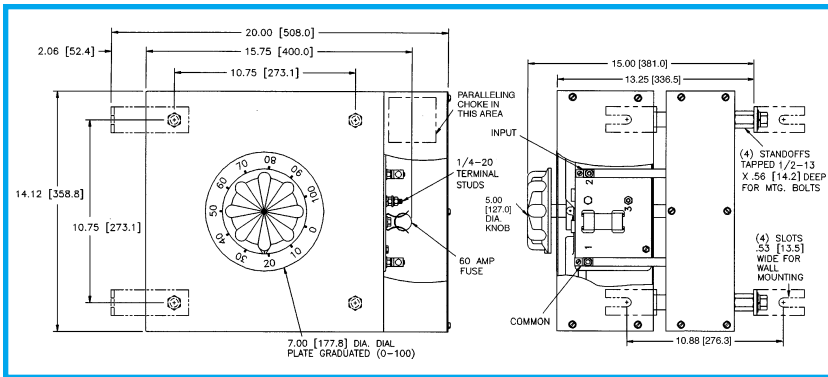
5000/6000 Series



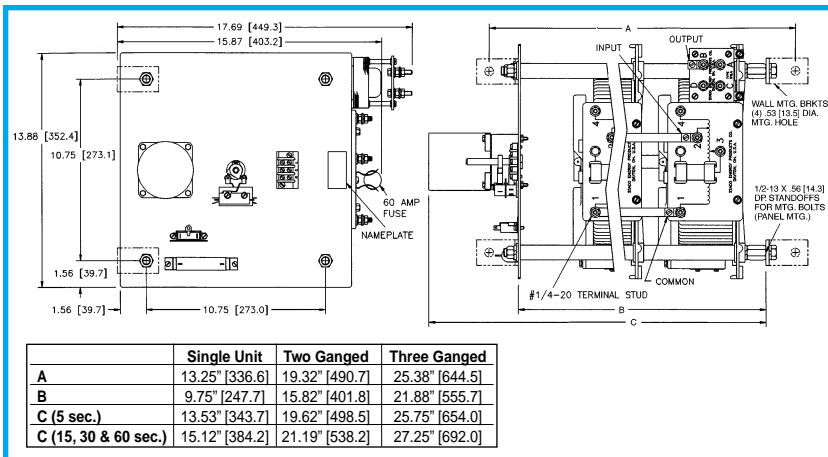
Manual Single, Uncased



Manual Single, Cased

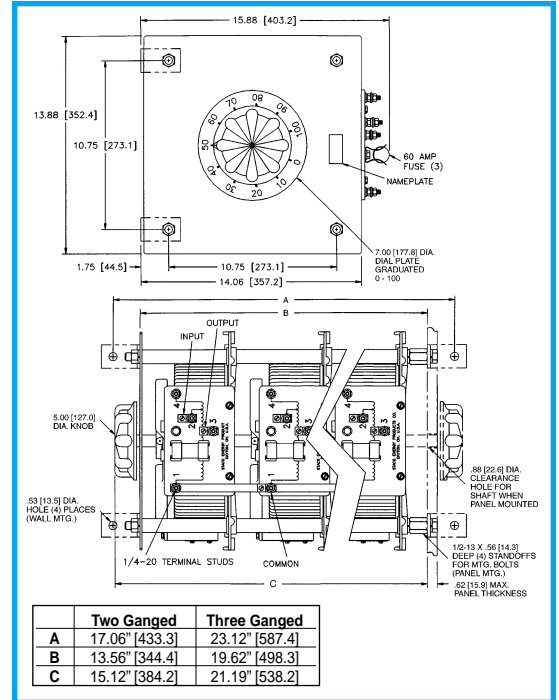


Manual Two-Ganged, Cased



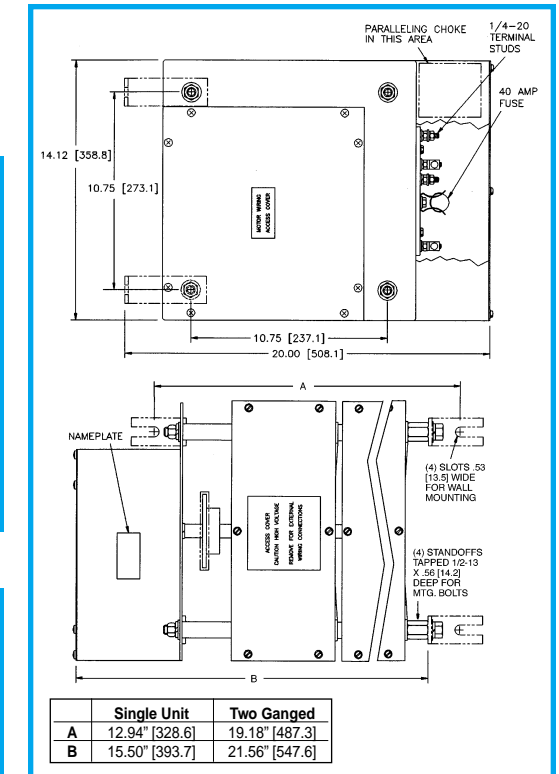
| | Single Unit | Two Ganged | Three Ganged |
|----------------------|----------------|----------------|----------------|
| A | 13.25" [336.6] | 19.32" [490.7] | 25.38" [644.5] |
| B | 9.75" [247.7] | 15.82" [401.8] | 21.88" [555.7] |
| C (5 sec.) | 13.53" [343.7] | 19.62" [498.5] | 25.75" [654.0] |
| C (15, 30 & 60 sec.) | 15.12" [384.2] | 21.19" [538.2] | 27.25" [692.0] |

Motor Driven, Single, Two and Three-Ganged, Uncased



Manual Two and Three-Ganged, Uncased

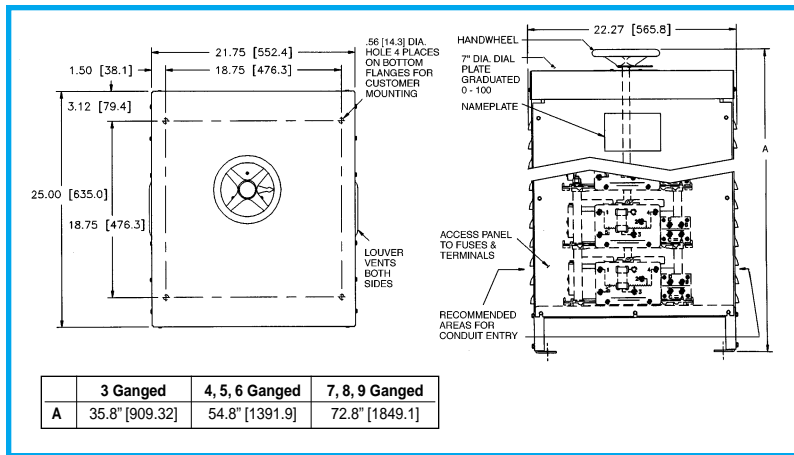
| | Two Ganged | Three Ganged |
|---|----------------|----------------|
| A | 17.06" [433.3] | 23.12" [587.4] |
| B | 13.56" [344.4] | 19.62" [498.3] |
| C | 15.12" [384.2] | 21.19" [538.2] |



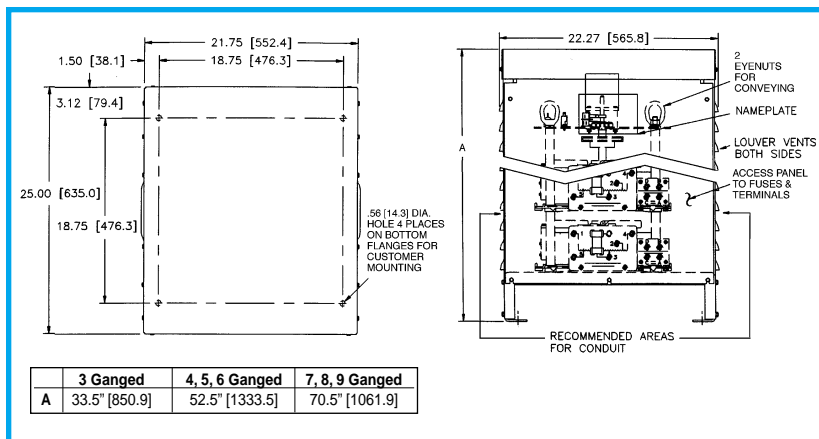
Motor Driven, Single and Two-Ganged, Cased

| | Single Unit | Two Ganged |
|---|----------------|----------------|
| A | 12.94" [328.6] | 19.18" [487.3] |
| B | 15.50" [393.7] | 21.56" [547.6] |

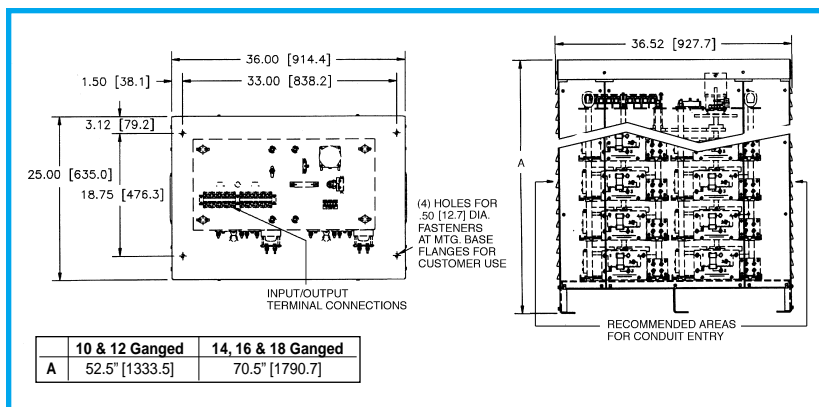
5000/6000 Series



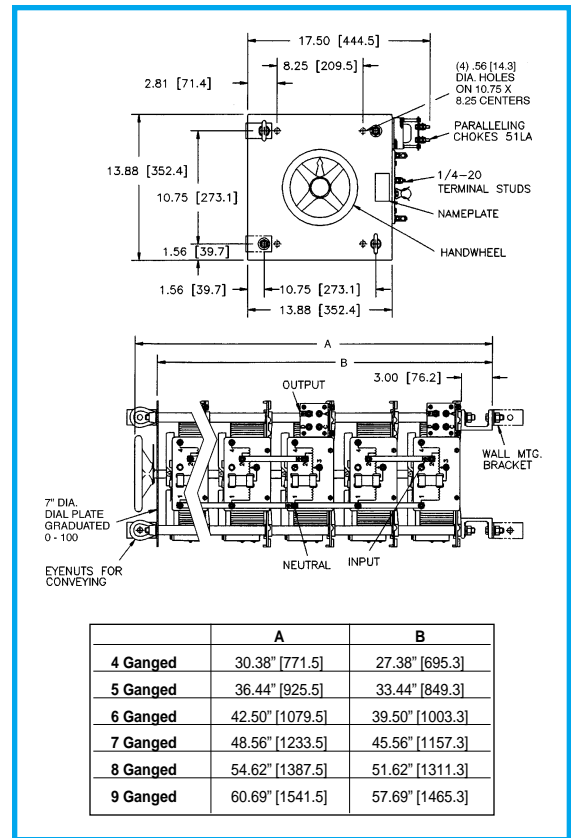
Manual Three to Nine-Ganged, Cased



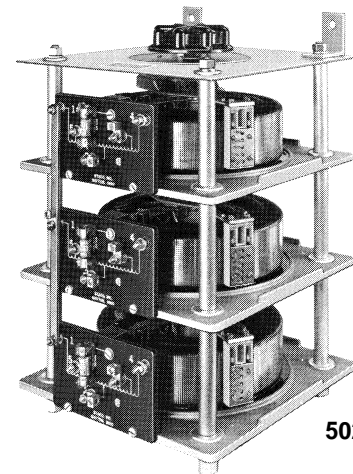
Motor-Driven Three to Nine-Ganged, Cased



Motor-Driven 10, 12, 14, 16 & 18-Ganged Open Delta and Parallel, Cased

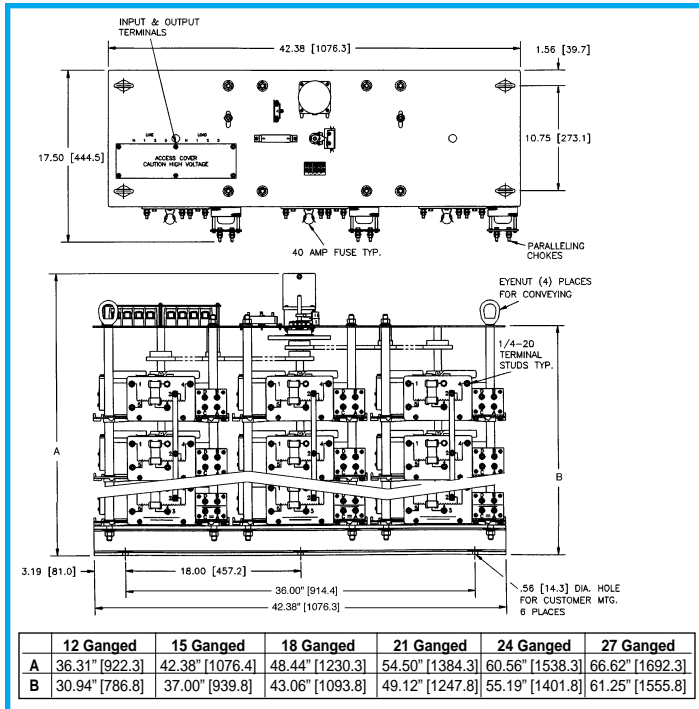


Manual Four to Nine-Ganged, Uncased

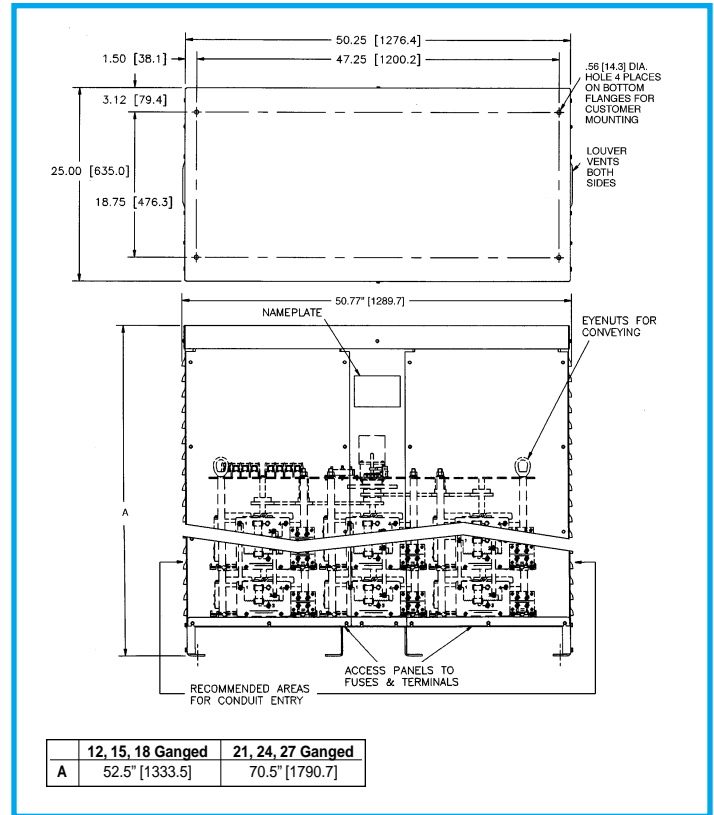


5021-3Y

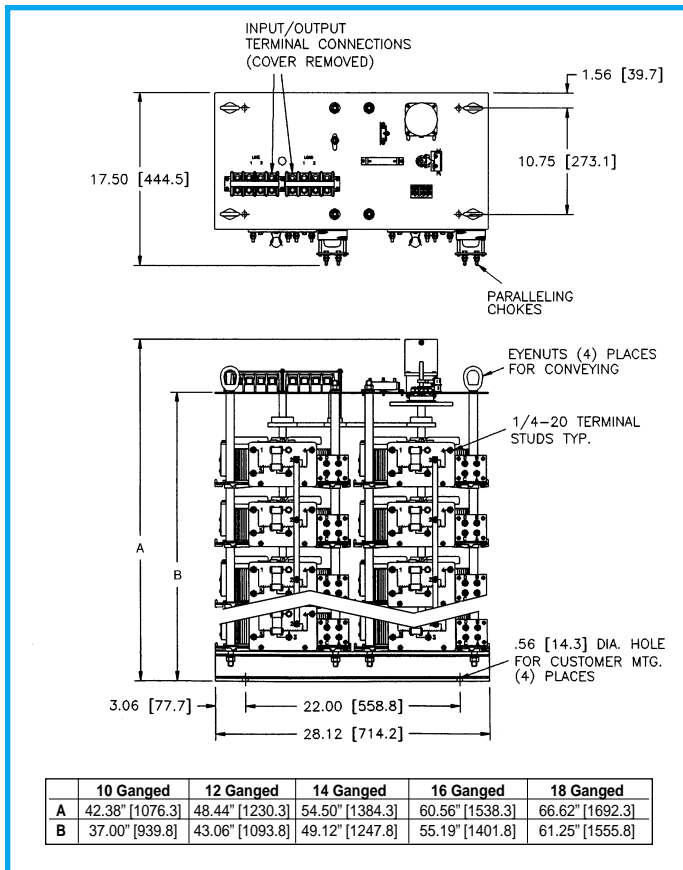
5000/6000 Series



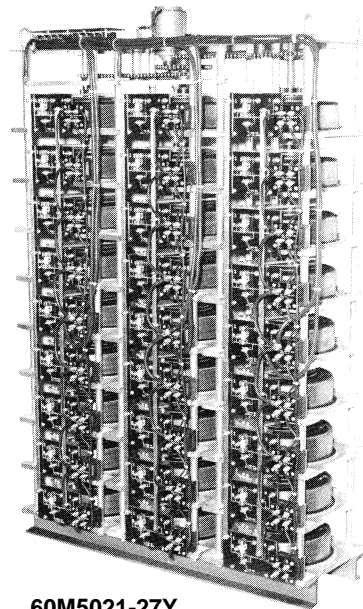
Motor-Driven 12, 15, 18, 21, 24 & 27-Ganged, Uncased



Motor-Driven 12, 15, 18, 21, 24 & 27-Ganged, Cased



Motor-Driven 10, 12, 14, 16 & 18-Ganged Open Delta & Parallel, Uncased



60M5021-27Y

6000 Series

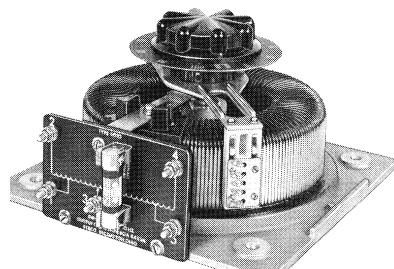
Variable transformers of the 6011/6020 Series are designed for larger KVA requirements. The 6011, 120 volt unit is rated for constant current of 60 amperes. The 6020, 240 volt unit is rated at 35 amperes for constant current loads. All single units have coil tapping arrangements allowing output voltage from 0 to line voltage or 17% above line voltage.

Adjustable shaft design on manually operated models permits back-of-panel or bench mounting. Terminals are 1/4" screw type. For single and two ganged units, case styles are available in either "C" style, which encloses only the coil, or the "CT" style, which provides protective housing for both the coil and terminal board. Knockouts are provided in the terminal board

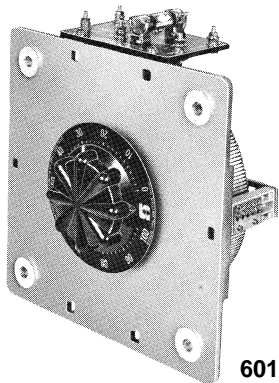
housing to accommodate conduit or cable connections. For three ganged and above, we offer our Nema 1, dripproof, fully front accessible "E" enclosure.

Motor-driven models are available from single thru 27 ganged assemblies; cased or uncased (identified with the prefix "M" in the part number). The synchronous motor is designed for operation on 120 volt, 50/60 Hertz lines and draws approximately 0.3 amperes. To meet a wide range of application requirements, standard motor speeds of 5, 15, 30 and 60 seconds are available depending upon the size of the variable transformer.

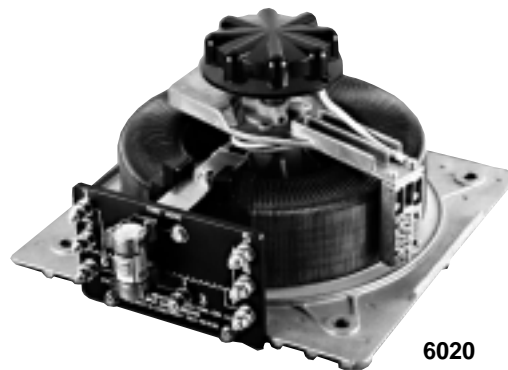
| PART NUMBER | | WIRING | INPUT | | OUTPUT | | | SHAFT ROTATION FOR VOLTAGE INCREASE | TERMINAL CONNECTIONS For Increasing Voltage As Viewed from Rotor End | | SCHEMATIC (Pg 8 & 9) | NET WEIGHT IN LBS. (MAX) | | | |
|----------------------------------|-------------------------------------|------------------------|-------|-------|--------|----------|---------|-------------------------------------|--|--------|----------------------|--------------------------|--------------|-----|-----|
| MANUALLY OPERATED | MOTOR DRIVEN | | VOLTS | HERTZ | VOLTS | MAX AMPS | MAX KVA | | INPUT | OUTPUT | | MAN-UAL | MOTOR DRIVEN | | |
| 6011 6011C 6011CT | M6011 M6011C M6011CT | Single Phase | 120 | 50/60 | 0-120 | 60 | 7.2 | CW | 2-4 | 2-3 | 19 | 67 | 88 | | |
| | | | | | | | | CCW | 4-2 | 4-3 | | | | | |
| | | | | | 0-140 | 60 | 8.4 | CW | 2-5 | 2-3 | | | | | |
| | | | | | | | | CCW | 4-1 | 4-3 | | | | | |
| 6020 6020C 6020CT | M6020 M6020C M6020CT | Single Phase | 240 | 50/60 | 0-240 | 35 | 8.4 | CW | 2-4 | 2-3 | 19 | 63 | 84 | | |
| | | | | | | | | CCW | 4-2 | 4-3 | | | | | |
| | | | | | 0-280 | 35 | 9.8 | CW | 2-5 | 2-3 | | | | | |
| | | | | | | | | CCW | 4-1 | 4-3 | | | | | |
| | | | | | 120 | 50/60 | 0-280 | 35*-15 V.D. | 4.2‡ | CW | | | | 2-6 | 2-3 |
| | | | | | | | | | | CCW | | | | 4-7 | 4-3 |
| 6011-2D 6011C-2D 6011CT-2D | M6011-2D M6011C-2D M6011CT-2D | Three Phase Open Delta | 120 | 50/60 | 0-120 | 60 | 12.5 | CW | 4-1-4 | 3-1-3 | 20 & 5 | 154 | 175 | | |
| | | | | | 0-140 | 60 | 14.5 | CW | 2-1-2 | 3-1-3 | | | | | |
| 6011-2P 6011C-2P 6011CT-2P | M6011-2P M6011C-2P M6011CT-2P | Single Phase Parallel | 120 | 50/60 | 0-120 | 120 | 14.4 | CW | 1-4 | 1-B | 21 | 156 | 177 | | |
| | | | | | 0-140 | 120 | 16.8 | CW | 1-2 | 1-B | | | | | |
| 6011-2S 6011C-2S 6011CT-2S | M6011-2S M6011C-2S M6011CT-2S | Single Phase Series | 240 | 50/60 | 0-240 | 60 | 14.4 | CW | 4-4 | 3-3 | 20 & 4 | 154 | 175 | | |
| | | | | | 0-280 | 60 | 16.8 | CW | 2-2 | 3-3 | | | | | |
| 6020-2D 6020C-2D 6020CT-2D | M6020-2D M6020C-2D M6020CT-2D | Three Phase Open Delta | 240 | 50/60 | 0-240 | 35 | 14.5 | CW | 4-1-4 | 3-1-3 | 20 & 5 | 146 | 167 | | |
| | | | | | 0-280 | 35 | 16.9 | CW | 2-1-2 | 3-1-3 | | | | | |
| 6020-2P 6020C-2P 6020CT-2P | M6020-2P M6020C-2P M6020CT-2P | Single Phase Parallel | 240 | 50/60 | 0-240 | 70 | 16.8 | CW | 1-4 | 1-B | 21 | 148 | 169 | | |
| | | | | | 0-280 | 70 | 19.6 | CW | 1-2 | 1-B | | | | | |
| 6020-2S 6020C-2S 6020CT-2S | M6020-2S M6020C-2S M6020CT-2S | Single Phase Series | 480 | 50/60 | 0-480 | 35 | 16.8 | CW | 4-4 | 3-3 | 20 & 4 | 146 | 167 | | |
| | | | | | 0-560 | 35 | 19.6 | CW | 2-2 | 3-3 | | | | | |
| 6011-3P 6011E-3P | M6011-3P M6011E-3P | Single Phase Parallel | 120 | 50/60 | 0-120 | 180 | 21.6 | CW | 1-4 | 1-D | 22 | 246 | 267 | | |
| | | | | | 0-140 | 180 | 25.2 | CW | 1-2 | 1-D | | | | | |
| 6011-3Y 6011E-3Y | M6011-3Y M6011E-3Y | Three Phase Wye | 240 | 60 | 0-240 | 60 | 24.9 | CW | 4-4-4 | 3-3-3 | 20 & 6 | 242 | 263 | | |
| | | | | | 0-280 | 60 | 29.1 | CW | 2-2-2 | 3-3-3 | | | | | |



6011

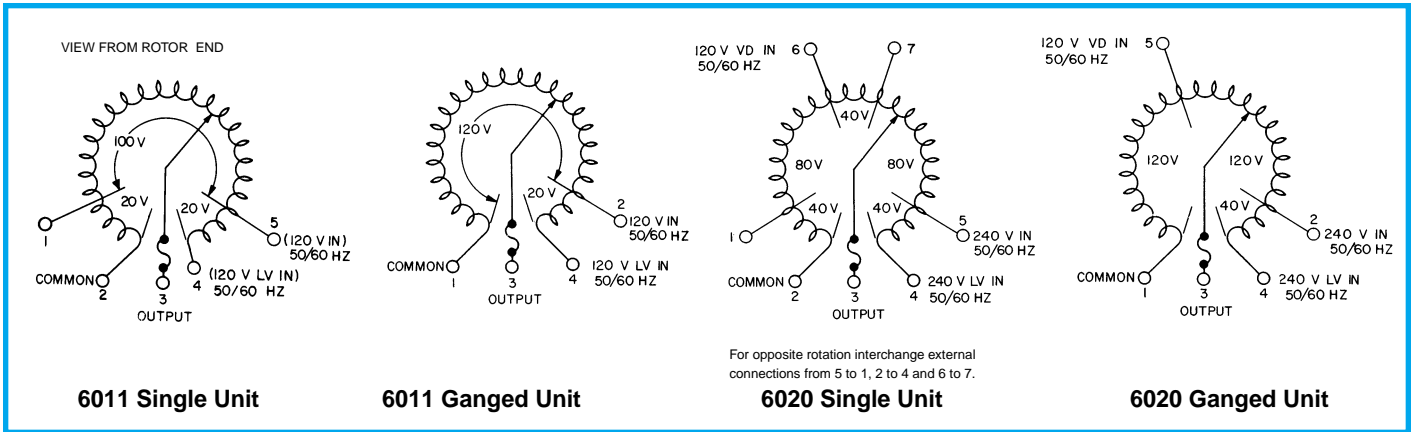


6011



6020

6000 Series



| PART NUMBER | | WIRING | INPUT | | OUTPUT | | | SHAFT ROTATION FOR VOLTAGE INCREASE | TERMINAL CONNECTIONS For Increasing Voltage As Viewed from Rotor End | | SCHEMATIC (Pg 8 & 9) | NET WEIGHT IN LBS. (MAX) | |
|-----------------------|-------------------------|------------------------------|-------|-------|--------|--------------|---------|-------------------------------------|--|--------|----------------------|--------------------------|--------------|
| MANUALLY OPERATED | MOTOR DRIVEN | | VOLTS | HERTZ | VOLTS | MAX AMPS | MAX KVA | | INPUT | OUTPUT | | MANUAL | MOTOR DRIVEN |
| 6020-3P 6020E-3P | M6020-3P M6020E-3P | Single Phase Parallel | 240 | 50/60 | 0-240 | 105 | 25.2 | CW | 1-4 | 1-D | 22 | 246 | 267 |
| | | | | | 0-280 | 105 | 29.4 | CW | 1-2 | 1-D | | | |
| | | | 120 | 50/60 | 0-280 | 105*-45 V.D. | 12.6‡ | CW | 1-5 | 1-D | | | |
| 6020-3Y 6020E-3Y | M6020-3Y M6020E-3Y | Three Phase Wye | 480 | 50/60 | 0-480 | 35 | 29.1 | CW | 4-4-4 | 3-3-3 | 20 & 6 | 240 | 261 |
| | | | | 60 | 0-560 | 35 | 33.9 | CW | 2-2-2 | 3-3-3 | | | |
| | | | 240 | 60 | 0-560 | 35*-15 V.D. | 14.5‡ | CW | 5-5-5 | 3-3-3 | | | |
| 6011-4D 6011E-4D | M6011-4D M6011E-4D | Three Phase Open Delta | 120 | 50/60 | 0-120 | 120 | 24.9 | CW | 4-1-4 | B-1-B | 21 & 5 | 354 | 375 |
| | | | | | 0-140 | 120 | 29.1 | CW | 2-1-2 | B-1-B | | | |
| | | | 120 | 50/60 | 0-140 | 120 | 33.6 | CW | 1-2 | 1-D | 22 | 356 | 377 |
| 6011-4P 6011E-4P | M6011-4P M6011E-4P | Single Phase Parallel | 120 | 50/60 | 0-120 | 240 | 28.8 | CW | 1-4 | 1-D | 22 | 356 | 377 |
| | | | | | 0-140 | 240 | 33.6 | CW | 1-2 | 1-D | | | |
| | | | 240 | 50/60 | 0-240 | 120 | 28.8 | CW | 4-4 | B-B | 21 & 4 | 354 | 375 |
| | | | 240 | 50/60 | 0-280 | 120 | 33.6 | CW | 2-2 | B-B | | | |
| 6020-4D 6020E-4D | M6020-4D M6020E-4D | Three Phase Open Delta | 240 | 50/60 | 0-240 | 70 | 29.1 | CW | 4-1-4 | B-1-B | 21 & 5 | 338 | 359 |
| | | | | | 0-280 | 70 | 33.9 | CW | 2-1-2 | B-1-B | | | |
| | | | 120 | 50/60 | 0-280 | 70*-30 V.D. | 14.5‡ | CW | 5-1-5 | B-1-B | | | |
| 6020-4P 6020E-4P | M6020-4P M6020E-4P | Single Phase Parallel | 240 | 50/60 | 0-240 | 140 | 33.6 | CW | 1-4 | 1-D | 22 | 340 | 361 |
| | | | | | 0-280 | 140 | 39.2 | CW | 1-2 | 1-D | | | |
| | | | 120 | 50/60 | 0-280 | 140*-60 V.D. | 16.8‡ | CW | 1-5 | 1-D | | | |
| 6020-4PS 6020E-4PS | M6020-4PS M6020E-4PS | Single Phase Series Parallel | 480 | 50/60 | 0-480 | 70 | 33.6 | CW | 4-4 | B-B | 21 & 4 | 338 | 359 |
| | | | | | 0-560 | 70 | 39.2 | CW | 2-2 | B-B | | | |
| | | | 240 | 50/60 | 0-560 | 70*-30 V.D. | 16.8‡ | CW | 5-5 | B-B | | | |
| 6011-5P 6011E-5P | M6011-5P M6011E-5P | Single Phase Parallel | 120 | 50/60 | 0-120 | 300 | 36.0 | CW | 1-4 | 1-D | 22 | 450 | 471 |
| | | | | | 0-140 | 300 | 42.0 | CW | 1-2 | 1-D | | | |
| | | | 240 | 50/60 | 0-240 | 175 | 42.0 | CW | 1-4 | 1-D | 22 | 430 | 451 |
| | | | 240 | 50/60 | 0-280 | 175 | 49.0 | CW | 1-2 | 1-D | | | |
| | | | 120 | 50/60 | 0-280 | 175*-75 V.D. | 21.0‡ | CW | 1-5 | 1-D | | | |
| 6011-6D 6011E-6D | M6011-6D M6011E-6D | Three Phase Open Delta | 120 | 50/60 | 0-120 | 180 | 37.4 | CW | 4-1-4 | D-1-D | 22 & 5 | 541 | 562 |
| | | | | | 0-140 | 180 | 43.6 | CW | 2-1-2 | D-1-D | | | |
| | | | 120 | 50/60 | 0-140 | 360 | 43.2 | CW | 1-4 | 1-D | 22 | 543 | 564 |
| | | | 120 | 50/60 | 0-140 | 360 | 50.4 | CW | 1-2 | 1-D | | | |
| 6011-6PS 6011E-6PS | M6011-6PS M6011E-6PS | Single Phase Series Parallel | 240 | 50/60 | 0-240 | 180 | 43.2 | CW | 4-4 | D-D | 22 & 4 | 541 | 562 |
| | | | | | 0-280 | 180 | 50.4 | CW | 2-2 | D-D | | | |
| 6011-6Y 6011E-6Y | M6011-6Y M6011E-6Y | Three Phase Wye | 240 | 60 | 0-240 | 120 | 49.8 | CW | 4-4-4 | B-B-B | 21 & 6 | 539 | 560 |
| | | | | | 0-280 | 120 | 58.1 | CW | 2-2-2 | B-B-B | | | |

6000 Series

| PART NUMBER | | WIRING | INPUT | | OUTPUT | | | SHAFT ROTATION FOR VOLTAGE INCREASE | TERMINAL CONNECTIONS For Increasing Voltage As Viewed from Rotor End | | SCHEMATIC (Pg 8 & 9) | NET WEIGHT IN LBS. (MAX) | |
|-----------------------|---------------------------|------------------------------------|-------|-------|--------|----------------|---------|-------------------------------------|--|--------|-------------------------|--------------------------------|--------------|
| MANUALLY OPERATED | MOTOR DRIVEN | | VOLTS | HERTZ | VOLTS | MAX AMPS | MAX KVA | | INPUT | OUTPUT | | MANUAL | MOTOR DRIVEN |
| 6020-6D 6020E-6D | M6020-6D M6020E-6D | Three Phase Open Delta | 240 | 50/60 | 0-240 | 105 | 43.6 | CW | 4-1-4 | D-1-D | 22 & 5 | 517 | 538 |
| | | | | | 0-280 | 105 | 50.9 | CW | 2-1-2 | D-1-D | | | |
| 6020-6P 6020E-6P | M6020-6P M6020E-6P | Single Phase Parallel | 240 | 50/60 | 0-240 | 210 | 50.4 | CW | 1-4 | 1-D | 22 | 489 | 510 |
| | | | | | 0-280 | 210 | 58.8 | CW | 1-2 | 1-D | | | |
| 6020-6PS 6020E-6PS | M6020-6PS M6020E-6PS | Single Phase Series Parallel | 240 | 50/60 | 0-240 | 105 | 50.4 | CW | 4-4 | D-D | 22 & 4 | 487 | 508 |
| | | | | | 0-560 | 105 | 58.8 | CW | 2-2 | D-D | | | |
| 6020-6Y 6020E-6Y | M6020-6Y M6020E-6Y | Three Phase Wye | 480 | 50/60 | 0-480 | 70 | 58.1 | CW | 4-4-4 | B-B-B | 21 & 6 | 485 | 506 |
| | | | | 60 | 0-560 | 70 | 67.8 | CW | 2-2-2 | B-B-B | | | |
| 6011-7P 6011E-7P | M6011-7P M6011E-7P | Single Phase Parallel | 120 | 50/60 | 0-120 | 420 | 50.4 | CW | 1-4 | 1-D | 22 | 633 | 654 |
| | | | | | 0-140 | 420 | 58.8 | CW | 1-2 | 1-D | | | |
| 6020-7P 6020E-7P | M6020-7P M6020E-7P | Single Phase Parallel | 240 | 50/60 | 0-240 | 245 | 58.8 | CW | 1-4 | 1-D | 22 | 598 | 619 |
| | | | | | 0-280 | 245 | 68.6 | CW | 1-2 | 1-D | | | |
| 6011-8D 6011E-8D | M6011-8D M6011E-8D | Three Phase Open Delta | 120 | 50/60 | 0-120 | 240 | 49.8 | CW | 4-1-4 | D-1-D | 22 & 5 | 720 | 741 |
| | | | | | 0-140 | 240 | 58.1 | CW | 2-1-2 | D-1-D | | | |
| 6011-8P 6011E-8P | M6011-8P M6011E-8P | Single Phase Parallel | 120 | 50/60 | 0-120 | 480 | 57.6 | CW | 1-4 | 1-D | 22 | 722 | 743 |
| | | | | | 0-140 | 480 | 67.2 | CW | 1-2 | 1-D | | | |
| 6011-8PS 6011E-8PS | M6011-8PS M6011E-8PS | Single Phase Series Parallel | 240 | 50/60 | 0-240 | 240 | 57.6 | CW | 4-4 | D-D | 22 & 4 | 720 | 741 |
| | | | | | 0-280 | 240 | 67.2 | CW | 2-2 | D-D | | | |
| 6020-8D 6020E-8D | M6020-8D M6020E-8D | Three Phase Open Delta | 240 | 50/60 | 0-240 | 140 | 58.1 | CW | 4-1-4 | D-1-D | 22 & 5 | 688 | 709 |
| | | | | | 0-280 | 140 | 67.8 | CW | 2-1-2 | D-1-D | | | |
| 6020-8P 6020E-8P | M6020-8P M6020E-8P | Single Phase Parallel | 240 | 50/60 | 0-240 | 280 | 67.2 | CW | 1-4 | 1-D | 22 | 690 | 711 |
| | | | | | 0-280 | 280 | 78.4 | CW | 1-2 | 1-D | | | |
| 6020-8PS 6020E-8PS | M6020-8PS M6020E-8PS | Single Phase Series Parallel | 480 | 50/60 | 0-480 | 140 | 67.2 | CW | 4-4 | D-D | 22 & 4 | 688 | 709 |
| | | | | | 0-560 | 140 | 78.4 | CW | 2-2 | D-D | | | |
| 6011-9P 6011E-9P | M6011-9P M6011E-9P | Single Phase Parallel | 120 | 50/60 | 0-120 | 540 | 64.8 | CW | 1-4 | 1-D | 22 | 811 | 832 |
| | | | | | 0-140 | 540 | 75.6 | CW | 1-2 | 1-D | | | |
| 6011-9Y 6011E-9Y | M6011-9Y M6011E-9Y | Three Phase Wye | 240 | 60 | 0-240 | 180 | 74.7 | CW | 4-4-4 | D-D-D | 22 & 6 | 807 | 828 |
| | | | | | 0-280 | 180 | 87.2 | CW | 2-2-2 | D-D-D | | | |
| 6020-9P 6020E-9P | M6020-9P M6020E-9P | Single Phase Parallel | 240 | 50/60 | 0-240 | 315 | 75.6 | CW | 1-4 | 1-D | 22 | 775 | 796 |
| | | | | | 0-280 | 315 | 88.2 | CW | 1-2 | 1-D | | | |
| 6020-9Y 6020E-9Y | M6020-9Y M6020E-9Y | Three Phase Wye | 480 | 50/60 | 0-480 | 105 | 87.2 | CW | 4-4-4 | D-D-D | 22 & 6 | 771 | 792 |
| | | | | 60 | 0-560 | 105 | 101.7 | CW | 2-2-2 | D-D-D | | | |
| — | M6011-10D M6011E-10D | Three Phase Open Delta | 120 | 50/60 | 0-120 | 300 | 62.3 | CW | 4-1-4 | D-1-D | 22 & 5 | — | 912 |
| | | | | | 0-140 | 300 | 72.7 | CW | 2-1-2 | D-1-D | | | |
| — | M6011-10PS M6011E-10PS | Single Phase Series Parallel | 240 | 50/60 | 0-240 | 300 | 72.0 | CW | 4-4 | D-D | 22 & 4 | — | 912 |
| | | | | | 0-280 | 300 | 84.0 | CW | 2-2 | D-D | | | |
| — | M6020-10D M6020E-10D | Three Phase Open Delta | 240 | 50/60 | 0-240 | 175 | 72.7 | CW | 4-1-4 | D-1-D | 22 & 5 | — | 912 |
| | | | | | 0-280 | 175 | 84.8 | CW | 2-1-2 | D-1-D | | | |
| | | | 120 | 50/60 | 0-280 | 175*75 V.D. | 36.3‡ | CW | 5-1-5 | D-1-D | | | |

6000 Series

| PART NUMBER | | WIRING | INPUT | | OUTPUT | | | SHAFT ROTATION FOR VOLTAGE INCREASE | TERMINAL CONNECTIONS For Increasing Voltage As Viewed from Rotor End | | SCHE-MATIC (Pg 8 & 9) | NET WEIGHT IN LBS. (MAX) | |
|-------------------|---------------------------|------------------------------|-------|-------|----------------|----------------------------|--------------|-------------------------------------|--|------------|--------------------------|--------------------------------|--------------|
| MANUALLY OPERATED | MOTOR DRIVEN | | VOLTS | HERTZ | VOLTS | MAX AMPS | MAX KVA | | INPUT | OUTPUT | | MAN-UAL | MOTOR DRIVEN |
| — | M6020-10PS M6020E-10PS | Single Phase Series Parallel | 480 | 50/60 | 0-480 0-560 | 175 175 | 84.0 98.0 | CW CW | 4-4 2-2 | D-D D-D | 22 & 4 | — | 872 |
| | | | 240 | 50/60 | 0-560 | 175* ⁷⁵ V.D. | 42.0‡ | CW | 5-5 | D-D | | | |
| — | M6011-12D M6011E-12D | Three Phase Open Delta | 120 | 50/60 | 0-120 | 360 | 74.7 | CW | 4-1-4 | D-1-D | 22 & 5 | — | 1060 |
| | | | | | 0-140 | 360 | 87.2 | CW | 2-1-2 | D-1-D | | | |
| — | M6011-12PS M6011E-12PS | Single Phase Series Parallel | 240 | 50/60 | 0-240 | 360 | 86.4 | CW | 4-4 | D-D | 22 & 4 | — | 1060 |
| | | | | | 0-280 | 360 | 100.8 | CW | 2-2 | D-D | | | |
| — | M6020-12D M6020E-12D | Three Phase Open Delta | 240 | 50/60 | 0-240 | 210 | 87.2 | CW | 4-1-4 | D-1-D | 22 & 5 | — | 1012 |
| | | | | | 0-280 | 210 | 101.7 | CW | 2-1-2 | D-1-D | | | |
| — | M6020-12PS M6020E-12PS | Single Phase Series Parallel | 480 | 50/60 | 0-480 | 210 | 100.8 | CW | 4-4 | D-D | 22 & 4 | — | 1012 |
| | | | | | 0-560 | 210 | 117.6 | CW | 2-2 | D-D | | | |
| — | M6011-14D M6011E-14D | Three Phase Open Delta | 120 | 50/60 | 0-120 | 420 | 87.2 | CW | 4-1-4 | D-1-D | 22 & 5 | — | 1237 |
| | | | | | 0-140 | 420 | 101.7 | CW | 2-1-2 | D-1-D | | | |
| — | M6011-14PS M6011E-14PS | Single Phase Series Parallel | 240 | 50/60 | 0-240 | 420 | 100.8 | CW | 4-4 | D-D | 22 & 4 | — | 1237 |
| | | | | | 0-280 | 420 | 117.6 | CW | 2-2 | D-D | | | |
| — | M6020-14D M6020E-14D | Three Phase Open Delta | 240 | 50/60 | 0-240 | 245 | 101.7 | CW | 4-1-4 | D-1-D | 22 & 5 | — | 1181 |
| | | | | | 0-280 | 245 | 118.7 | CW | 2-1-2 | D-1-D | | | |
| — | M6020-14PS M6020E-14PS | Single Phase Series Parallel | 480 | 50/60 | 0-480 | 245 | 117.6 | CW | 4-4 | D-D | 22 & 4 | — | 1181 |
| | | | | | 0-560 | 245 | 137.2 | CW | 2-2 | D-D | | | |
| — | M6011-16D M6011E-16D | Three Phase Open Delta | 120 | 50/60 | 0-120 | 480 | 99.6 | CW | 4-1-4 | D-1-D | 22 & 5 | — | 1414 |
| | | | | | 0-140 | 480 | 116.3 | CW | 2-1-2 | D-1-D | | | |
| — | M6011-16PS M6011E-16PS | Single Phase Series Parallel | 240 | 50/60 | 0-240 | 480 | 115.2 | CW | 4-4 | D-D | 22 & 4 | — | 1414 |
| | | | | | 0-280 | 480 | 134.4 | CW | 2-2 | D-D | | | |
| — | M6020-16D M6020E-16D | Three Phase Open Delta | 240 | 50/60 | 0-240 | 280 | 116.3 | CW | 4-1-4 | D-1-D | 22 & 5 | — | 1350 |
| | | | | | 0-280 | 280 | 135.6 | CW | 2-1-2 | D-1-D | | | |
| — | M6020-16PS M6020E-16PS | Single Phase Series Parallel | 480 | 50/60 | 0-480 | 280 | 134.4 | CW | 4-4 | D-D | 22 & 4 | — | 1350 |
| | | | | | 0-560 | 280 | 156.8 | CW | 2-2 | D-D | | | |
| — | M6011-18D M6011E-18D | Three Phase Open Delta | 120 | 50/60 | 0-120 | 540 | 112.1 | CW | 4-1-4 | D-1-D | 22 & 5 | — | 1597 |
| | | | | | 0-140 | 540 | 130.8 | CW | 2-1-2 | D-1-D | | | |
| — | M6011-18PS M6011E-18PS | Single Phase Series Parallel | 240 | 50/60 | 0-240 | 540 | 129.6 | CW | 4-4 | D-D | 22 & 4 | — | 1597 |
| | | | | | 0-280 | 540 | 151.2 | CW | 2-2 | D-D | | | |
| — | M6020-18D M6020E-18D | Three Phase Open Delta | 240 | 50/60 | 0-240 | 315 | 130.8 | CW | 4-1-4 | D-1-D | 22 & 5 | — | 1525 |
| | | | | | 0-280 | 315 | 152.6 | CW | 2-1-2 | D-1-D | | | |
| — | M6020-18PS M6020E-18PS | Single Phase Series Parallel | 480 | 50/60 | 0-480 | 315 | 151.2 | CW | 4-4 | D-D | 22 & 4 | — | 1525 |
| | | | | | 0-560 | 315 | 176.4 | CW | 2-2 | D-D | | | |
| — | M6011-12Y M6011E-12Y | Three Phase Wye | 240 | 60 | 0-240 | 240 | 99.6 | CW | 4-4-4 | D-D-D | 22 & 6 | — | 1062 |
| | | | | | 0-280 | 240 | 116.3 | CW | 2-2-2 | D-D-D | | | |

6000 Series

| PART NUMBER | | WIRING | INPUT | | OUTPUT | | | SHAFT ROTATION FOR VOLTAGE INCREASE | TERMINAL CONNECTIONS For Increasing Voltage As Viewed from Rotor End | | SCHEMATIC (Pg 8 & 9) | NET WEIGHT IN LBS. (MAX) | |
|-------------------|-------------------------|-----------------|-------|-------------|----------------|---------------------|----------------|-------------------------------------|--|----------------|-------------------------|--------------------------------|--------------|
| MANUALLY OPERATED | MOTOR DRIVEN | | VOLTS | HERTZ | VOLTS | MAX AMPS | MAX KVA | | INPUT | OUTPUT | | MANUAL | MOTOR DRIVEN |
| — | M6020-12Y M6020E-12Y | Three Phase Wye | 480 | 50/60 60 | 0-480 0-560 | 140 140 | 116.3 135.6 | CW CW | 4-4-4 2-2-2 | D-D-D D-D-D | 22 & 6 | — | 1014 |
| | | | 240 | 60 | 0-560 | 140* 60 V.D. | 58.1‡ | CW | 5-5-5 | D-D-D | | | |
| — | M6011-15Y M6011E-15Y | Three Phase Wye | 240 | 60 | 0-240 0-280 | 300 300 | 124.6 145.3 | CW CW | 4-4-4 2-2-2 | D-D-D D-D-D | 22 & 6 | — | 1329 |
| | | | | | | | | | | | | | |
| — | M6020-15Y M6020E-15Y | Three Phase Wye | 480 | 50/60 60 | 0-480 0-560 | 175 175 | 145.3 169.5 | CW CW | 4-4-4 2-2-2 | D-D-D D-D-D | 22 & 6 | — | 1269 |
| | | | 240 | 60 | 0-560 | 175* 75 V.D. | 72.7‡ | CW | 5-5-5 | D-D-D | | | |
| — | M6011-18Y M6011E-18Y | Three Phase Wye | 240 | 60 | 0-240 0-280 | 360 360 | 149.5 174.4 | CW CW | 4-4-4 2-2-2 | D-D-D D-D-D | 22 & 6 | — | 1595 |
| | | | | | | | | | | | | | |
| — | M6020-18Y M6020E-18Y | Three Phase Wye | 480 | 50/60 60 | 0-480 0-560 | 210 210 | 174.6 203.4 | CW CW | 4-4-4 2-2-2 | D-D-D D-D-D | 22 & 6 | — | 1523 |
| | | | 240 | 60 | 0-560 | 210* 90 V.D. | 87.2‡ | CW | 5-5-5 | D-D-D | | | |
| — | M6011-21Y M6011E-21Y | Three Phase Wye | 240 | 60 | 0-240 0-280 | 420 420 | 174.4 203.4 | CW CW | 4-4-4 2-2-2 | D-D-D D-D-D | 22 & 6 | — | 1864 |
| | | | | | | | | | | | | | |
| — | M6020-21Y M6020E-21Y | Three Phase Wye | 480 | 50/60 60 | 0-480 0-560 | 245 245 | 203.4 237.4 | CW CW | 4-4-4 2-2-2 | D-D-D D-D-D | 22 & 6 | — | 1780 |
| | | | 240 | 60 | 0-560 | 245* 105 V.D. | 101.7‡ | CW | 5-5-5 | D-D-D | | | |
| — | M6011-24Y M6011E-24Y | Three Phase Wye | 240 | 60 | 0-240 0-280 | 480 480 | 199.3 232.5 | CW CW | 4-4-4 2-2-2 | D-D-D D-D-D | 22 & 6 | — | 2132 |
| | | | | | | | | | | | | | |
| — | M6020-24Y M6020E-24Y | Three Phase Wye | 480 | 50/60 60 | 0-480 0-560 | 280 280 | 232.5 271.3 | CW CW | 4-4-4 2-2-2 | D-D-D D-D-D | 22 & 6 | — | 2036 |
| | | | 240 | 60 | 0-560 | 280* 120 V.D. | 116.3‡ | CW | 5-5-5 | D-D-D | | | |
| — | M6011-27Y M6011E-27Y | Three Phase Wye | 240 | 60 | 0-240 0-280 | 540 540 | 224.2 261.6 | CW CW | 4-4-4 2-2-2 | D-D-D D-D-D | 22 & 6 | — | 2401 |
| | | | | | | | | | | | | | |
| — | M6020-27Y M6020E-27Y | Three Phase Wye | 480 | 50/60 60 | 0-480 0-560 | 315 315 | 261.6 305.2 | CW CW | 4-4-4 2-2-2 | D-D-D D-D-D | 22 & 6 | — | 2293 |
| | | | 240 | 60 | 0-560 | 315* 135 V.D. | 130.8‡ | CW | 5-5-5 | D-D-D | | | |

* Maximum output current in output voltage range from 0 to 25 percent above line voltage. At higher output voltages, output current must be reduced according to rating curve Figure B, page 6.

‡ Maximum KVA at maximum output and corresponding de-rated current. Maximum KVA at lower output voltages may be calculated from rating curve Figure B, page 6.

V.D. Voltage Doubler

Данный компонент на территории Российской Федерации

Вы можете приобрести в компании MosChip.

Для оперативного оформления запроса Вам необходимо перейти по данной ссылке:

<http://moschip.ru/get-element>

Вы можете разместить у нас заказ для любого Вашего проекта, будь то серийное производство или разработка единичного прибора.

В нашем ассортименте представлены ведущие мировые производители активных и пассивных электронных компонентов.

Нашей специализацией является поставка электронной компонентной базы двойного назначения, продукции таких производителей как XILINX, Intel (ex.ALTERA), Vicor, Microchip, Texas Instruments, Analog Devices, Mini-Circuits, Amphenol, Glenair.

Сотрудничество с глобальными дистрибьюторами электронных компонентов, предоставляет возможность заказывать и получать с международных складов практически любой перечень компонентов в оптимальные для Вас сроки.

На всех этапах разработки и производства наши партнеры могут получить квалифицированную поддержку опытных инженеров.

Система менеджмента качества компании отвечает требованиям в соответствии с ГОСТ Р ИСО 9001, ГОСТ РВ 0015-002 и ЭС РД 009

Офис по работе с юридическими лицами:

105318, г.Москва, ул.Щербаковская д.3, офис 1107, 1118, ДЦ «Щербаковский»

Телефон: +7 495 668-12-70 (многоканальный)

Факс: +7 495 668-12-70 (доб.304)

E-mail: info@moschip.ru

Skype отдела продаж:

moschip.ru

moschip.ru_4

moschip.ru_6

moschip.ru_9