

---

## 3-Phase Sinusoidal Sensorless Brushless DC Fan Motor Driver

---

### Features

- 180° Sinusoidal Drive for High Efficiency and Low Acoustic Noise
- Position Sensorless BLDC Drivers (no Hall Effect Sensor required)
- Integrated Power Transistors
- Supports 2V to 5.5V Power Supplies
- Variable Programming Resistor ( $R_{\text{PROG}}$ ) Setting to fit Motor Constant ( $K_M$ ) Range from 3.25 mV/Hz to 52 mV/Hz
- Speed Control through Power Supply Modulation (PSM) and/or Pulse-Width Modulation (PWM)
- Built-in Frequency Generator: FG, FG/3 Output Signal (FG/2 and FG/6 Option are available upon request)
- Output PWM Slew Rate Control Programmable with an External Resistor for Start-up (Adjustable version)
- Phase Target Selection for Regulation (Adjustable Version)
- Start-up Strength Selection (Adjustable Version)
- Start-up Output Current Controlled by PWM
- Output Current Soft Start
- Built-in Lock-up Protection and Automatic Recovery Circuit
- Built-in Overcurrent Limitation
- Built-in Thermal Shutdown Protection
- Built-in Overvoltage Protection
- Low Minimal Start-up Speed for Low-Speed Operation
- Packages:
  - 10-Lead 3 mm x 3 mm x 0.5 mm UDFN
  - 16-Lead 4 mm x 4 mm x 0.5 mm UQFN (Adjustable version)

### Applications

- Notebook CPU Cooling Fans
- 5V 3-Phase BLDC Motors

### Description

The MTD6508 device is a 3-phase, full-wave sensorless driver for brushless DC (BLDC) motors. It features a 180° sinusoidal drive, high torque output and silent drive. With adaptive features, parameters and a wide range of power supplies (2V to 5.5V), the MTD6508 is intended to cover a broad range of motor characteristics while requiring minimum external components. Speed control can be achieved through either power supply modulation (PSM) or pulse-width modulation (PWM).

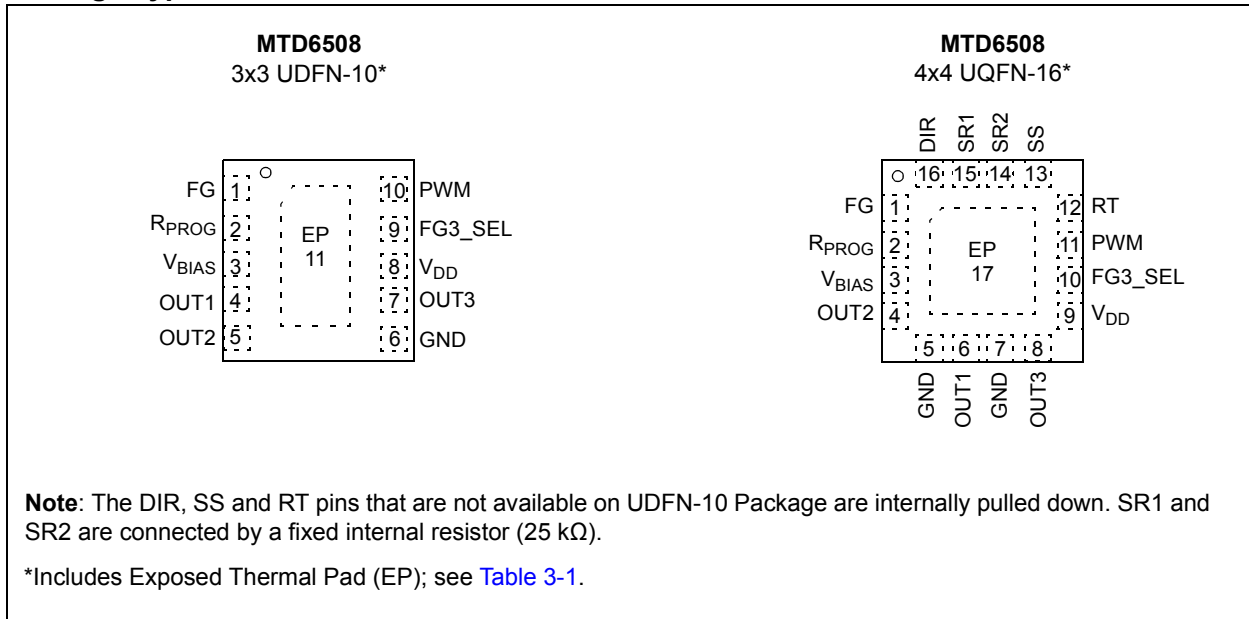
Compact packaging and a minimal bill of materials make the MTD6508 device extremely cost-efficient in fan applications. For example, the CPU cooling fans in notebook computers require designs that provide low acoustic noise, low mechanical vibration and are highly efficient. The frequency generator (FG) output enables precision speed control in closed-loop applications.

The MTD6508 device includes Lock-up Protection mode to turn off the output current when the motor is in a lock condition, with an automatic recovery feature to restart the fan when the lock condition is removed. Motor overcurrent limitation and thermal shutdown protection are included for safety-enhanced operations.

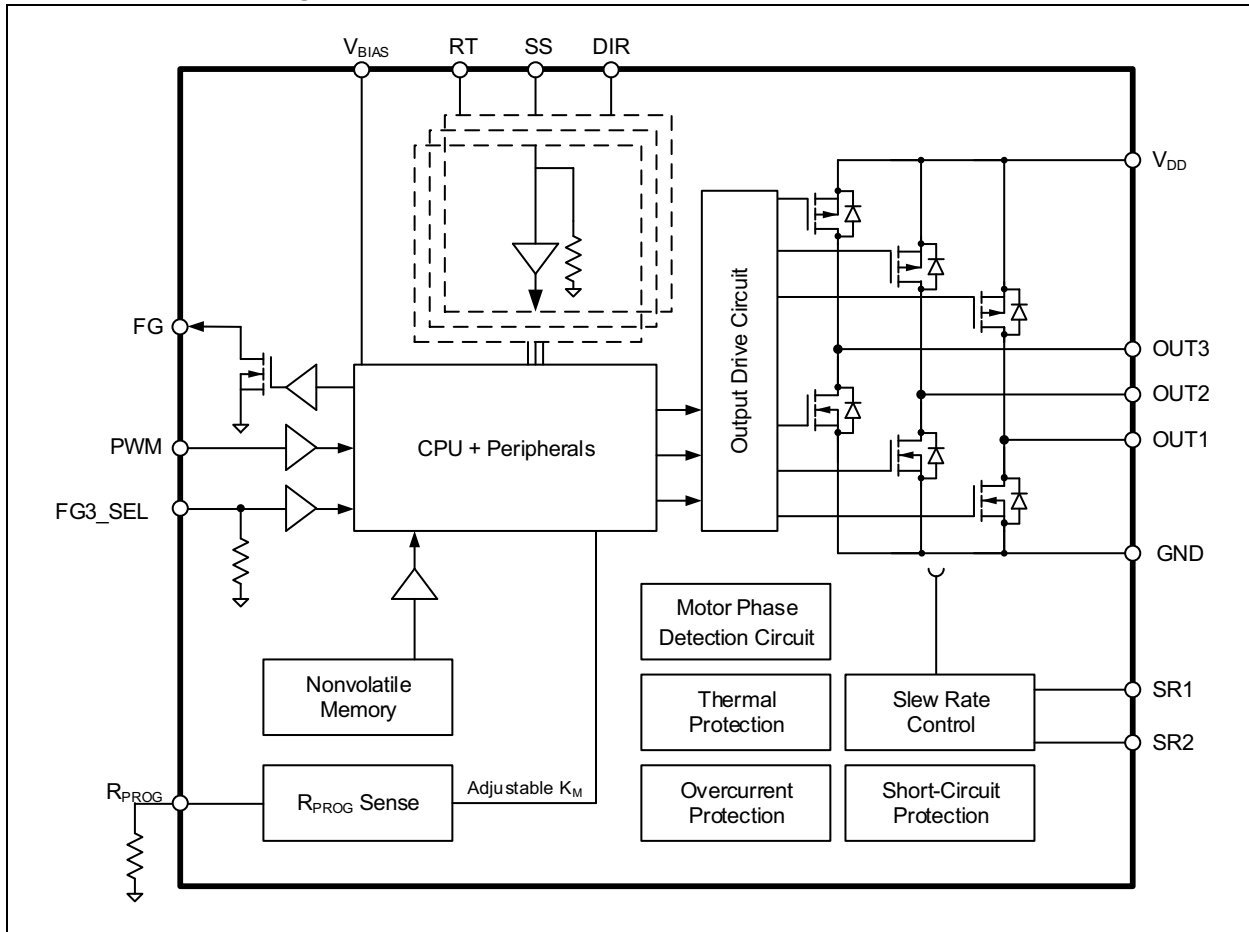
The MTD6508 is available in compact, thermally-enhanced, 10-Lead 3 mm x 3 mm x 0.5 mm UDFN packages and 16-Lead 4 mm x 4 mm x 0.5 mm UQFN packages.

# MTD6508

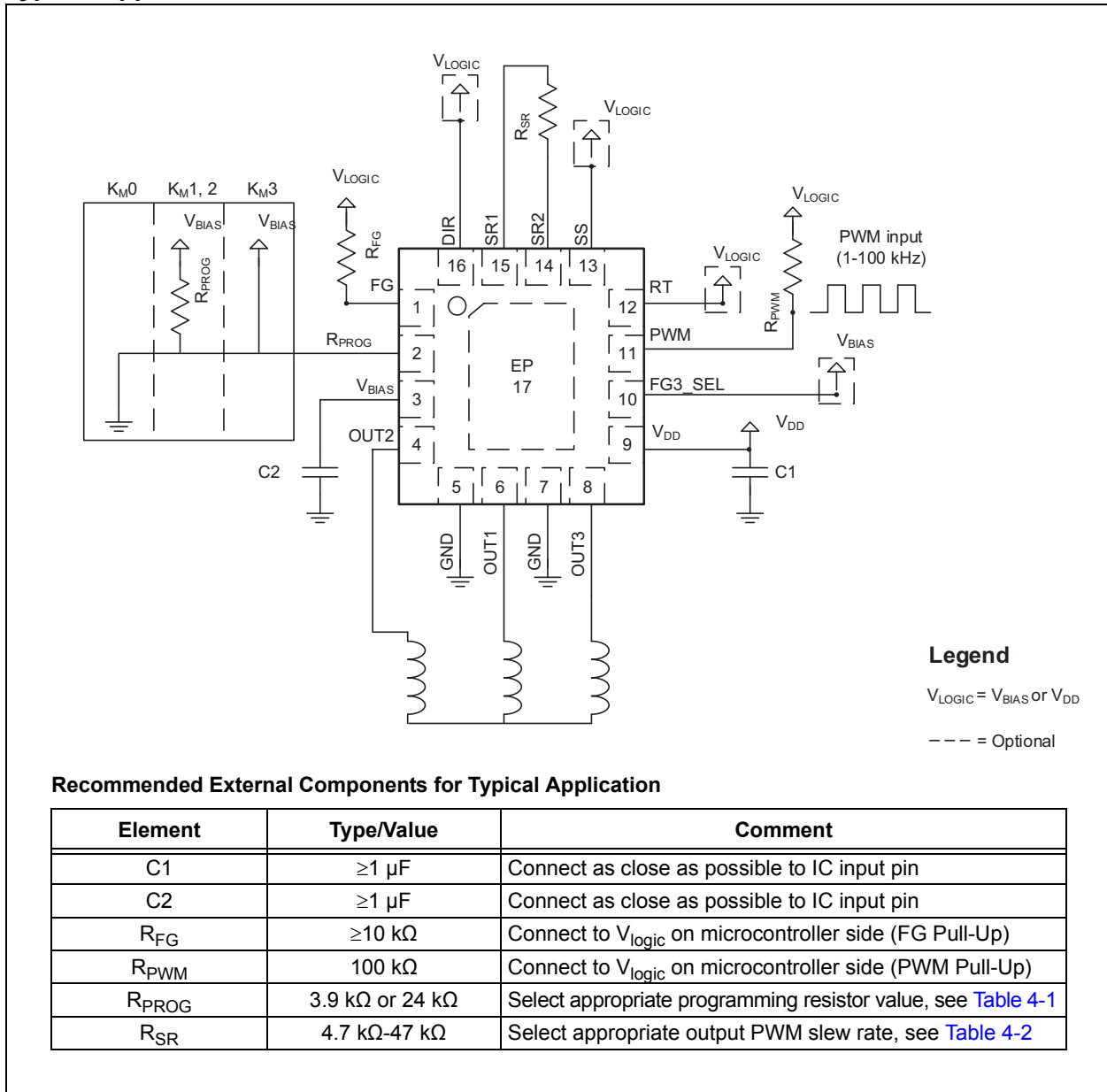
## Package Types



## Functional Block Diagram



## Typical Application



# MTD6508

---

NOTES:

## 1.0 ELECTRICAL CHARACTERISTICS

### Absolute Maximum Ratings†

Power Supply Voltage ( $V_{DD\_MAX}$ )	-0.7 to +7.0V
Maximum Output Voltage ( $V_{OUT\_MAX}$ )	-0.7 to +7.0V
Maximum Output Current ( $I_{OUT\_MAX}$ ) <sup>(1)</sup>	1000 mA
FG Maximum Output Voltage ( $V_{FG\_MAX}$ )	-0.7 to +7.0V
FG Maximum Output Current ( $I_{FG\_MAX}$ )	5.0 mA
$V_{BIAS}$ Maximum Voltage ( $V_{BIAS\_MAX}$ )	-0.7 to +4.0V
PWM Maximum Voltage ( $V_{PWM\_MAX}$ )	-0.7 to +7.0V
Allowable Power Dissipation ( $P_{D\_MAX}$ ) <sup>(2)</sup>	1.5W
Maximum Junction Temperature ( $T_J$ )	+150°C
ESD protection on all pins	≥2 kV

† **Notice:** Stresses above those listed under “Maximum Ratings” may cause permanent damage to the device. This is a stress rating only, and functional operation of the device at those or any other conditions above those indicated in the operational listings of this specification is not implied. Exposure to maximum rating conditions for extended periods may affect device reliability.

**Note 1:**  $I_{OUT}$  is also internally limited, according to the limits defined in the [Electrical Characteristics](#) table.

**2:** Reference Printed Circuit Board (PCB) according to JEDEC standard EIA/JESD 51-9.

## ELECTRICAL CHARACTERISTICS

Electrical Specifications: Unless otherwise specified, all limits are established for $V_{DD} = 2.0V$ to $5.5V$ , $T_A = +25^\circ C$						
Parameters	Sym.	Min.	Typ.	Max.	Units	Conditions
Power Supply Voltage	$V_{DD}$	2	—	5.5	V	
Power Supply Current	$I_{VDD}$	—	5	10	mA	$V_{DD} = 5V$
Standby Current	$I_{VDD\_STB}$	—	15	25	μA	PWM = 0V, $V_{DD} = 5V$ (Standby mode)
OUTX High Resistance	$R_{ON(H)}$	—	0.75	—	Ω	$I_{OUT} = 0.5A$ , $V_{DD} = 5V$
OUTX Low Resistance	$R_{ON(L)}$	—	0.75	—	Ω	$I_{OUT} = 0.5A$ , $V_{DD} = 5V$
OUTX Total Resistance	$R_{ON(H+L)}$	—	1.5	—	Ω	$I_{OUT} = 0.5A$ , $V_{DD} = 5V$
$V_{BIAS}$ Internal Supply Voltage	$V_{BIAS}$	—	3	—	V	$V_{DD} = 3.2V$ to $5.5V$
		—	$V_{DD} - 0.2$	—	V	$V_{DD} < 3.2V$
PWM Input Frequency	$f_{PWM}$	1	—	100	kHz	
PWM Input H Level	$V_{PWM\_H}$	$0.55 * V_{DD}$	—	$V_{DD}$	V	$V_{DD} \geq 4.5V$
PWM Input L Level	$V_{PWM\_L}$	0	—	$0.2 * V_{DD}$	V	$V_{DD} \geq 4.5V$
FG3_SEL Input H Level	$V_{FG3\_SEL\_H}$	$V_{BIAS} - 0.5$	—	$V_{BIAS}$	V	$V_{DD} \geq 4.5V$
FG3_SEL Input L Level	$V_{FG3\_SEL\_L}$	0	—	$0.2 * V_{DD}$	V	$V_{DD} \geq 4.5V$
FG Output Pin Low-Level Voltage	$V_{OL\_FG}$	—	—	0.25	V	$I_{FG} = -1$ mA
FG Output Pin Leakage Current	$I_{LH\_FG}$	-10	—	10	μA	$V_{FG} = 5.5V$
Lock Protection Operating Time	$T_{RUN}$	—	0.5	1	s	
Lock Protection Waiting Time	$T_{WAIT}$	5	5.5	6	s	<a href="#">Note 1</a>
Overcurrent Protection	$I_{OC\_MOT}$	—	750	—	mA	<a href="#">Note 2</a>

**Note 1:** Related to the internal oscillator frequency (see [Figure 2-1](#))

**2:** 750 mA is the standard option for MTD6508. Additional overcurrent protection levels are available upon request. Please contact factory for different overcurrent protection values.

# MTD6508

## ELECTRICAL CHARACTERISTICS (CONTINUED)

Electrical Specifications: Unless otherwise specified, all limits are established for $V_{DD} = 2.0V$ to $5.5V$ , $T_A = +25^\circ C$						
Parameters	Sym.	Min.	Typ.	Max.	Units	Conditions
Overvoltage Protection	$V_{OV}$	—	7.2	—	V	
Short Protection on High Side	$I_{OC\_SW\_H}$	—	2.57	—	A	
Short Protection on Low Side	$I_{OC\_SW\_L}$	—	-2.83	—	A	
Thermal Shutdown	$T_{SD}$	—	170	—	$^\circ C$	
Thermal Shutdown Hysteresis	$T_{SD\_HYS}$	—	25	—	$^\circ C$	

**Note 1:** Related to the internal oscillator frequency (see [Figure 2-1](#))

**2:** 750 mA is the standard option for MTD6508. Additional overcurrent protection levels are available upon request. Please contact factory for different overcurrent protection values.

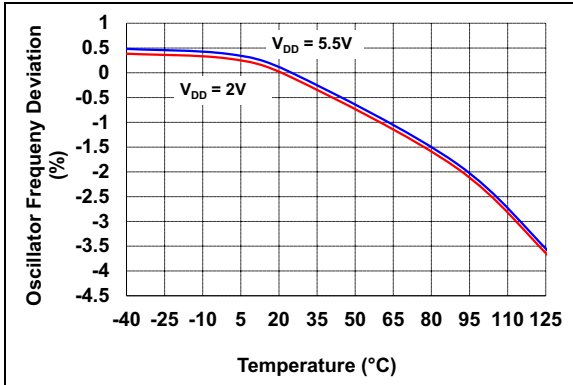
## TEMPERATURE SPECIFICATIONS

Electrical Specifications: Unless otherwise specified, all limits are established for $V_{DD} = 2.0V$ to $5.5V$ , $T_A = +25^\circ C$ .						
Parameters	Sym.	Min.	Typ.	Max.	Units	Conditions
<b>Temperature Ranges</b>						
Operating Temperature	$T_{OPR}$	-40	—	+125	$^\circ C$	
Storage Temperature Range	$T_{STG}$	-55	—	+150	$^\circ C$	
<b>Thermal Package Resistances</b>						
Thermal Resistance, 10L-UDFN, 3x3	$\theta_{JA}$	—	68	—	$^\circ C/W$	
	$\theta_{JC}$	—	11	—	$^\circ C/W$	
Thermal Resistance, 16L-UQFN, 4x4	$\theta_{JA}$	—	31.8	—	$^\circ C/W$	
	$\theta_{JC}$	—	10	—	$^\circ C/W$	

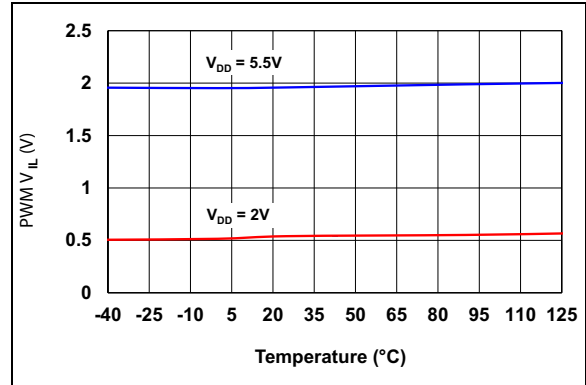
## 2.0 TYPICAL PERFORMANCE CURVES

**Note:** The graphs and tables provided following this note are a statistical summary based on a limited number of samples and are provided for informational purposes only. The performance characteristics listed herein are not tested or guaranteed. In some graphs or tables, the data presented may be outside the specified operating range (e.g., outside specified power supply range) and therefore outside the warranted range.

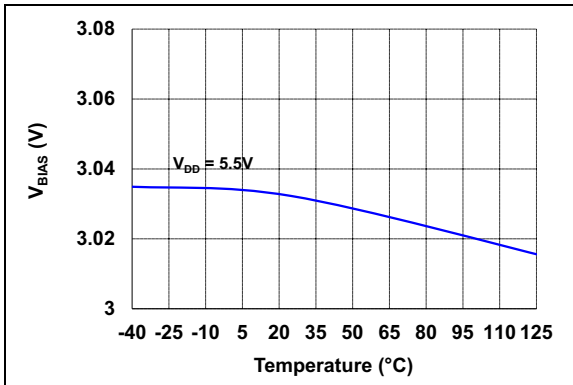
**Note:** Unless indicated,  $T_A = +25^\circ\text{C}$ ,  $V_{DD} = 2.0\text{V}$  to  $5.5\text{V}$ , OUT1, 2, 3 and PWM open.



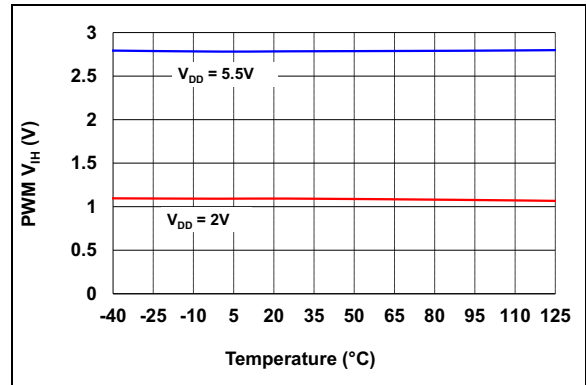
**FIGURE 2-1:** Oscillator Frequency Deviation vs. Temperature.



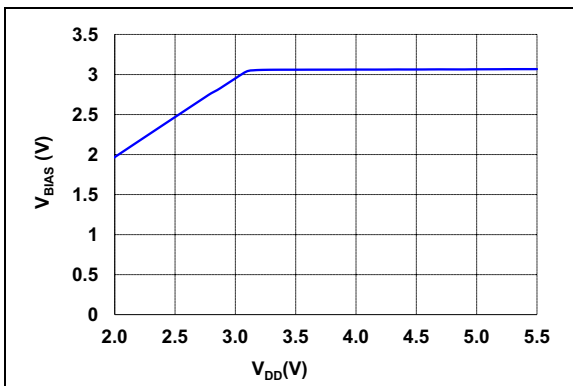
**FIGURE 2-4:** Inputs (PWM)  $V_{IL}$  vs. Temperature.



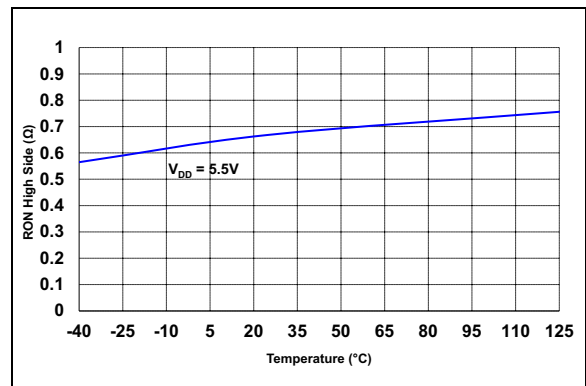
**FIGURE 2-2:** Internal Regulated Voltage ( $V_{BIAS}$ ) vs. Temperature.



**FIGURE 2-5:** Inputs (PWM)  $V_{IH}$  vs. Temperature.



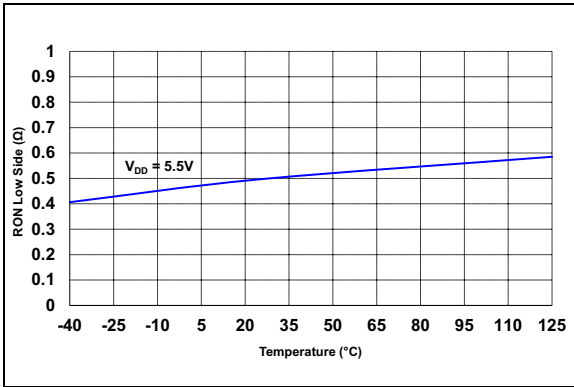
**FIGURE 2-3:** Internal Regulated Voltage ( $V_{BIAS}$ ) vs. Supply Voltage ( $V_{DD}$ ).



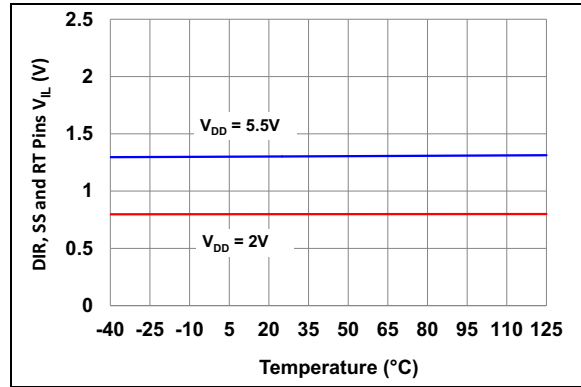
**FIGURE 2-6:** Outputs  $R_{ON}$  High-Side Resistance vs. Temperature.

# MTD6508

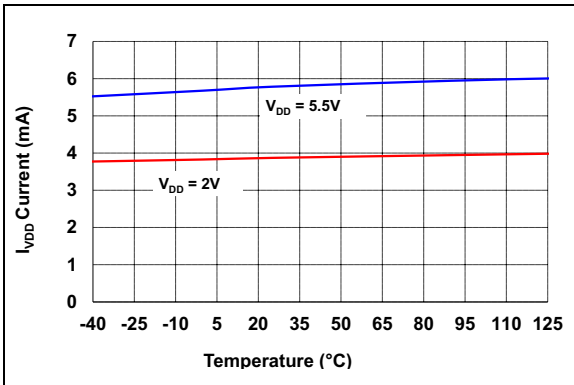
**Note:** Unless indicated,  $T_A = +25^\circ\text{C}$ ,  $V_{DD} = 2.0\text{V}$  to  $5.5\text{V}$ , OUT1, 2, 3 and PWM open.



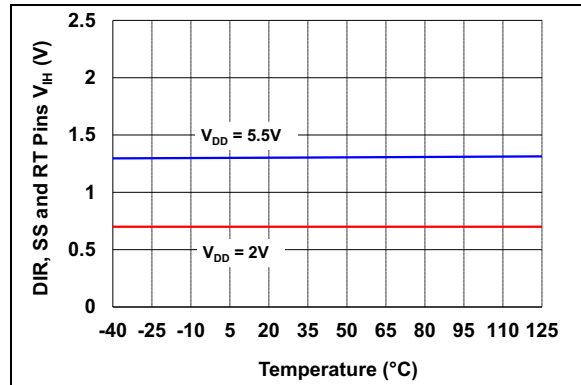
**FIGURE 2-7:** Outputs  $R_{ON}$  Low-Side Resistance vs. Temperature.



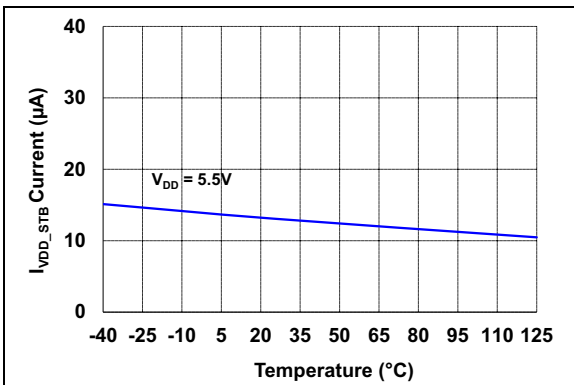
**FIGURE 2-10:** DIR, SS and RT Pins  $V_{IL}$  (V) vs. Temperature.



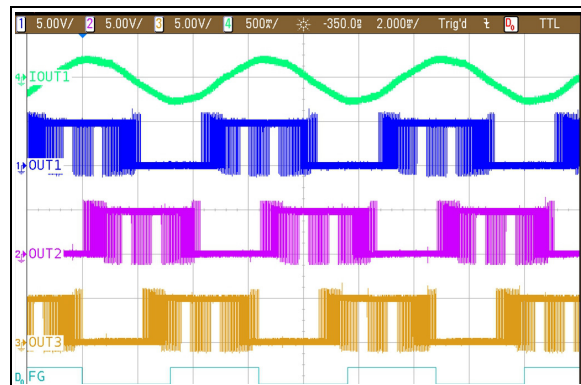
**FIGURE 2-8:** Supply Current vs. Temperature.



**FIGURE 2-11:** DIR, SS and RT Pins  $V_{IH}$  (V) vs. Temperature.

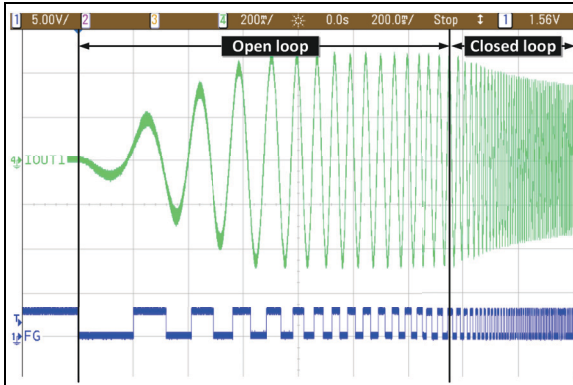


**FIGURE 2-9:** Standby Current vs. Temperature.

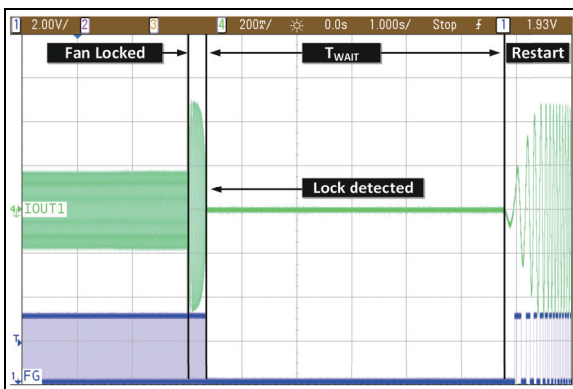


**FIGURE 2-12:** Typical Outputs on Closed Loop.





**FIGURE 2-13:** Typical Output Current on Start-up.



**FIGURE 2-14:** Typical Outputs on Locked Motor While Running.

# MTD6508

## 3.0 PIN DESCRIPTIONS

The descriptions of the pins are listed in [Table 3-1](#).

**TABLE 3-1: PIN FUNCTION TABLE**

MTD6508		Name	Type	Function
3x3 UDFN	4x4 UQFN			
1	1	FG	O	Motor Speed Indication Output Pin
2	2	R <sub>PROG</sub>	I	K <sub>M</sub> Parameter Setting with External Resistors Pin (do not leave floating)
3	3	V <sub>BIAS</sub>	O	3V Internal Regulator Output Pin (for decoupling only)
5	4	OUT2	O	Single-Phase Coil Output Pin
6	5	GND	P	Negative Voltage Supply Pin (ground)
4	6	OUT1	O	Single-Phase Coil Output Pin
6	7	GND	P	Negative Voltage Supply Pin (ground)
7	8	OUT3	O	Single-Phase Coil Output Pin
8	9	V <sub>DD</sub>	P	Positive Voltage Supply for Motor Driver Pin
9	10	FG3_SEL	I	FG Frequency Divider Selection Pin: <ul style="list-style-type: none"> <li>- FG signal divided by three: connect this pin to V<sub>BIAS</sub></li> <li>- FG normal signal: connect this pin to GND or leave floating</li> </ul>
10	11	PWM	I	PWM Input Signal for Close-Loop Speed Control Pin (do not leave floating)
—	12	RT	I	Regulation Target Pin – phase target selection for regulation: <ul style="list-style-type: none"> <li>- Normal regulation: connect this pin to GND or leave floating</li> <li>- Low load regulation: connect this pin to V<sub>BIAS</sub> or V<sub>DD</sub></li> <li>- Pin not available on UDFN-10 option; selection fixed to normal regulation</li> </ul>
—	13	SS	I	Strong Start Pin – start-up strength selection: <ul style="list-style-type: none"> <li>- Soft open-loop start-up (reduced current) – during the start-up open-loop, the output amplitude is defined by the input PWM duty cycle: connect this pin to GND or leave floating</li> <li>- Strong open-loop start-up – during the start-up open-loop, the output amplitude is fixed to 100%: connect this pin to V<sub>BIAS</sub> or V<sub>DD</sub></li> <li>- Pin not available on UDFN-10 option; selection fixed to soft open-loop start-up</li> </ul>
—	14	SR2	O	Start-up Output PWM Slew Rate Control Pin 2 (High side) <ul style="list-style-type: none"> <li>- Pin not available on UDFN-10 option; selection fixed to 250 ns (25 kΩ)</li> </ul>
—	15	SR1	I	Start-up Output PWM Slew Rate Control Pin 1 (Low side) <ul style="list-style-type: none"> <li>- Pin not available on UDFN-10 option; selection fixed to 250 ns (25 kΩ)</li> </ul>
—	16	DIR	I	Motor Rotation Direction Pin (DIR function): <ul style="list-style-type: none"> <li>- Forward direction: connect this pin to GND or leave floating</li> <li>- Reverse direction: connect this pin to V<sub>BIAS</sub> or V<sub>DD</sub></li> <li>- Pin not available on UDFN-10 option; selection fixed to forward direction</li> </ul>
11	17	EP	N/A	Exposed Pad Pin; connect to ground plane on the PCB for enhanced thermal performance

**Note:** I = Input, O = Output, P = Power

## 4.0 FUNCTIONAL DESCRIPTION

The MTD6508 generates a full-wave signal to drive a 3-phase BLDC motor. High efficiency and low power consumption are achieved due to CMOS transistors and a synchronous rectification drive type.

### 4.1 Speed Control

The rotational speed of the motor can be controlled either through the PWM digital input signal or by acting directly on the power supply ( $V_{DD}$ ). When the PWM signal is High, the motor rotates at full speed. When the PWM signal is low, the IC outputs are set to high-impedance and the motor is stopped.

By changing the PWM duty cycle, the speed can be adjusted. Thus, the user has maximum freedom to choose the PWM system frequency within a wide range (from 1 kHz to 100 kHz).

The PWM pin should not be floating. It can be connected to an external pull-up resistor connected to  $V_{DD}$ .

When the PWM duty cycle is below 5%, MTD6508 directly stops the drive (output High Z) and will restart only if the PWM duty cycle is above 5%. If MTD6508 is not in standby mode (PWM duty cycle = 0%), it will not restart unless a “waiting time” ( $T_{WAIT}$ ) has been spent in order to allow the fan to break enough before the next start-up.  $T_{WAIT}$  begins as soon as the PWM duty cycle falls below 5%.

The output transistor activation always occurs at a fixed rate of 30 kHz, which is outside the range of audible frequencies.

**Note 1:** The PWM frequency has no direct effect on the motor speed, and is asynchronous with the activation of the output transistors.

### 4.2 Frequency Generator Function

The Frequency Generator output (FG) is a Hall effect sensor equivalent digital output, giving information to an external controller about the speed and phase of the motor. The FG pin is an open-drain output connecting to a logical voltage level through an external pull-up resistor. When a lock or an out-of-sync situation is detected by the driver, this output is set to high-impedance until the motor is restarted. The pin should be left open when it is not used.

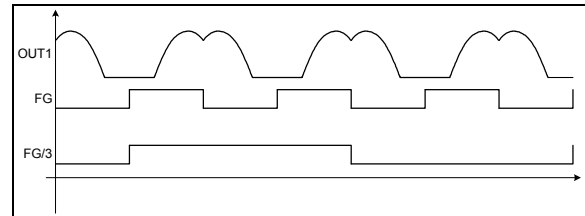
#### EQUATION 4-1:

$$\frac{FG \times 720}{(P \times S)} = \text{Rotor speed RPM}$$

Where:

- P = Total number of poles in the motor
- S = Total number of slots in the motor

If the FG3\_SEL pin is enabled, the rotor speed rotation per minute (RPM) has to be multiplied by three, because the FG signal frequency will be divided by three.



**FIGURE 4-1:** FG and FG/3 Waveform.

### 4.3 Lock-Up Protection and Automatic Restart

If the motor is blocked and cannot rotate freely, a lock-up protection circuit detects it and disables the driver by setting its outputs to high-impedance to prevent the motor coil from burnout. After a “waiting time” ( $T_{WAIT}$ ), the lock-up protection is released and normal operation resumes for a given time ( $T_{RUN}$ ). If the motor is still blocked, a new period of waiting time is started.  $T_{WAIT}$  and  $T_{RUN}$  timings are fixed internally so that no external capacitor is required.

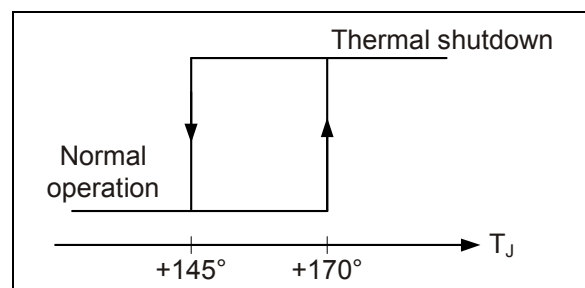
### 4.4 Overcurrent Protection

The motor peak current is limited by the driver to 750 mA (standard value), thus limiting the maximum power dissipation in the coils.

### 4.5 Thermal Shutdown

The MTD6508 has a thermal protection function which detects when the die temperature exceeds  $T_J = +170^\circ\text{C}$ . When this temperature is reached, the circuit enters the Thermal Shutdown mode and the outputs OUT1, OUT2 and OUT3 are disabled (high-impedance): avoiding the IC destruction and allowing the circuit to cool down. When the junction temperature ( $T_J$ ) drops below  $+145^\circ\text{C}$ , normal operation resumes.

The thermal detection circuit has  $+25^\circ\text{C}$  hysteresis.



**FIGURE 4-2:** Thermal Protection Hysteresis.

# MTD6508

## 4.6 Overvoltage Shutdown

The MTD6508 has an overvoltage protection function which detects when the  $V_{DD}$  voltage exceeds  $V_{OV} = +7.2V$ . In Overvoltage condition, outputs OUT1, OUT2 and OUT3 are disabled (high impedance).

## 4.7 Internal Voltage Regulator

$V_{BIAS}$  voltage is generated internally and is used to supply internal logical blocks. The  $V_{BIAS}$  pin is used to connect an external decoupling capacitor (1  $\mu F$  or higher). Notice that this pin is for IC internal use, and is not designed to supply DC current to external blocks.

## 4.8 Back Electromotive Force (BEMF) Coefficient Setting

$K_M$  is the electromechanical coupling coefficient of the motor (also referred to as “motor constant” or “BEMF constant”). Depending on the conventions in use, the exact definition of  $K_M$  and its measurement criteria can vary among motor manufacturers. To accommodate various motor applications, the MTD6508 provides options to facilitate various BEMF coefficients.

The MTD6508 defines the BEMF coefficient ( $K_M$ ) as the peak value of the phase-to-phase BEMF voltage, normalized to the electrical speed of the motor. The following table offers methods to set the  $K_M$  value for the MTD6508 device.

**TABLE 4-1:  $K_M$  SETTINGS**

$K_M$ Option	$K_M$ (mV/Hz) Range Phase-to-Phase		$R_{PROG}$
	Min.	Max.	
$K_{M0}$	3.25	6.5	GND
$K_{M1}$	6.5	13	24 k $\Omega$
$K_{M2}$	13	26	3.9 k $\Omega$
$K_{M3}$	26	52	$V_{BIAS}$

$R_{PROG}$  sensing is actually a sequence that is controlled by the firmware. For any given  $R_{PROG}$ , the internal control block will output the corresponding  $K_M$  range.

## 4.9 Start-up Output PWM Slew Rate Control

In order to reduce vibration, the output PWM slew rate can be adjusted with  $R_{SR}$  during start-up. Refer to [Table 4-2](#) when choosing the  $R_{SR}$  value. A rate that is too slow can decrease the efficiency of the IC. The recommended  $R_{SR}$  range is from 4.7 k $\Omega$  to 47 k $\Omega$ . The  $R_{SR}$  will be connected between pins SR1 and SR2. Once the start-up open loop is finished, the MTD6508 will automatically switch to a fixed slew rate, corresponding to 10 k $\Omega$  or 100 ns (typical).

**TABLE 4-2: SLEW RATE SETTINGS**

$R_{SR}$ Value	Output PWM Transition Time for 10 to 90%	Comment
	Rising/Falling edge	
x k $\Omega$	x * 10.64 ns	Transition rate equation
4.7 k $\Omega$	50 ns	Fast transition
10 k $\Omega$	100 ns	Typical transition
47 k $\Omega$	500 ns	Slow transition

**Note:** Slew rate adjustment on start-up can only be done in the adjustable version of the MTD6508.

## 4.10 Motor Rotation Direction Pin (DIR)\*

The current-carrying order of the outputs depends on the DIR pin state “Rotation Direction”, and is described in [Table 4-3](#). The DIR pin level is latched after power-on or after exiting standby mode. The DIR pin is not designed for dynamic direction change during operation. The pin is internally connected to GND on the non-adjustable version.

**TABLE 4-3: MOTOR ROTATION DIRECTION OPTIONS**

DIR Pin State	Rotation Direction	Outputs Activation Sequence
Connected to GND or Floating	Forward	OUT1 -> OUT2 -> OUT3
Connected to $V_{BIAS}$ or $V_{DD}$	Reverse	OUT3 -> OUT2 -> OUT1

\*On adjustable version only

## 4.11 Strong Start Pin (SS)\*

The sinusoidal start-up open-loop phase current amplitude can be defined by the PWM input duty cycle or fixed at 100%. [Table 4-4](#) describes both start-up options. This pin is internally connected to GND on the non-adjustable version.

**TABLE 4-4: START-UP OPEN-LOOP CURRENT AMPLITUDE OPTIONS**

SS Pin State	Start-up Open-Loop Current Amplitude
Connected to GND or Floating	Soft open-loop start-up (reduced current) – during the start-up open loop, the output amplitude is defined by the input PWM duty cycle (start-up without speed overshoot, with respect to the target speed set by PWM).
Connected to $V_{BIAS}$ or $V_{DD}$	Strong open-loop start-up – during the start-up open loop, the output amplitude is fixed at 100% (start-up with maximal torque).

\*On adjustable version only

## 4.12 Regulation Target Pin (RT)\*

The RT pin adjusts the phase regulation parameters to allow more stability in applications using 3-Phase BLDC motors attached to a light load. The low-load phase regulation option reduces the speed correction gain by 75% in order to produce smoother behavior. [Table 4-5](#) describes the phase regulation options. The RT pin is internally connected to GND on the non-adjustable version.

**TABLE 4-5: PHASE REGULATION OPTIONS**

RT Pin State	Phase Regulation Target Options
Connected to GND or Floating	Optimized for typical load (Fan, Pump)
Connected to $V_{BIAS}$ or $V_{DD}$	Optimized for low load (Motor with light rotor and low air resistance while operating)

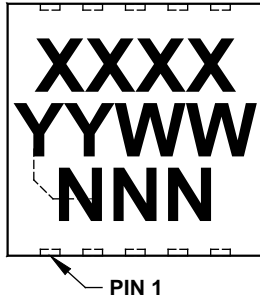
\*On adjustable version only

# MTD6508

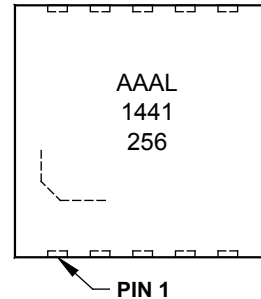
## 5.0 PACKAGING INFORMATION

### 5.1 Package Marking Information

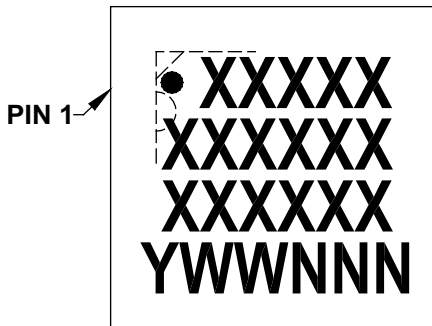
10-Lead UDFN (3x3x0.5 mm)



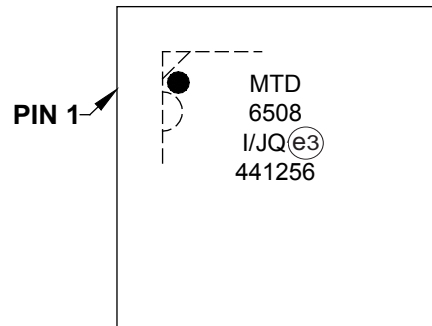
Example



16-Lead UQFN (4x4x0.5 mm)



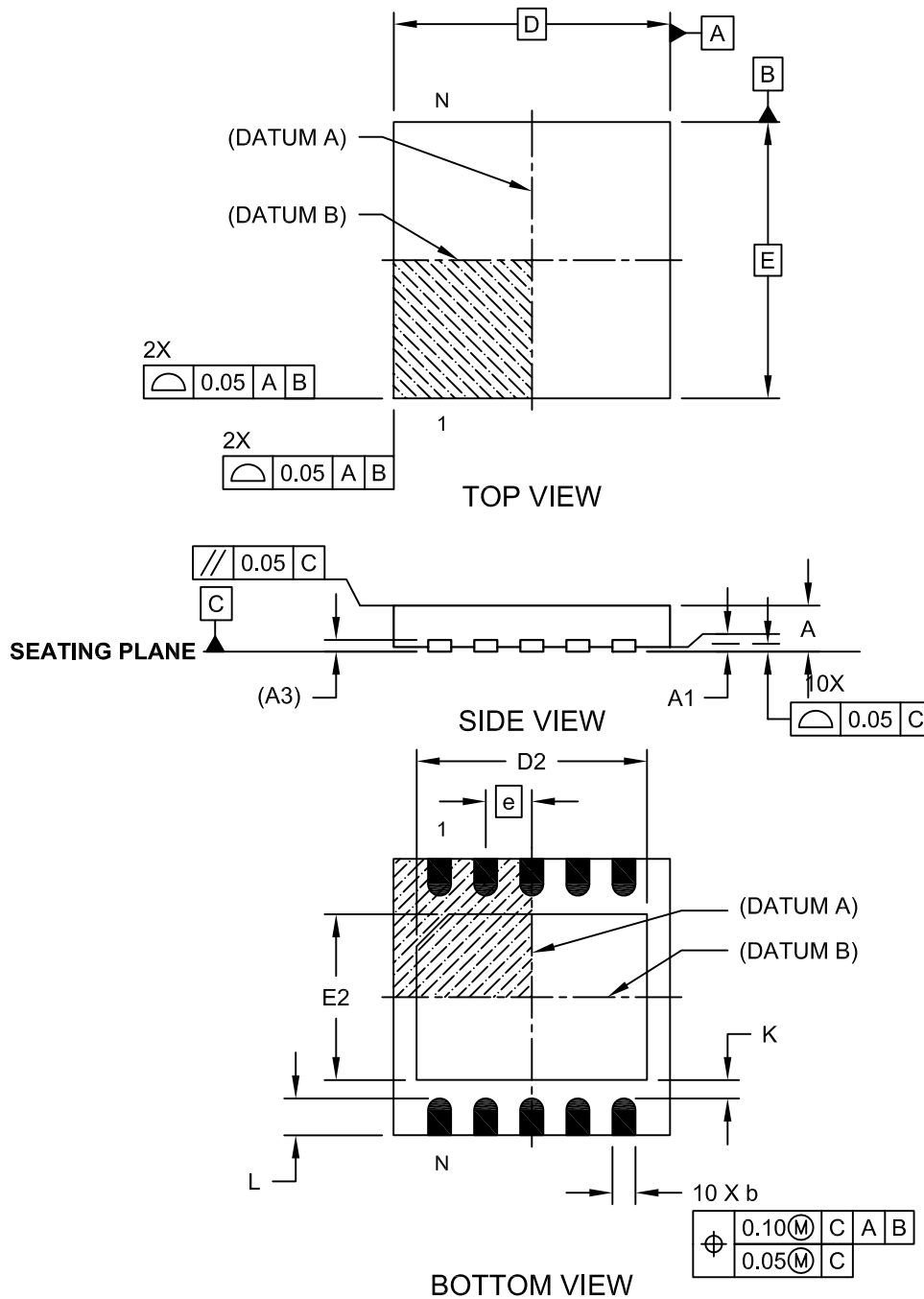
Example



<b>Legend:</b>	XX...X	Customer-specific information
	Y	Year code (last digit of calendar year)
	YY	Year code (last 2 digits of calendar year)
	WW	Week code (week of January 1 is week '01')
	NNN	Alphanumeric traceability code
	ⓔ3	Pb-free JEDEC® designator for Matte Tin (Sn)
	*	This package is Pb-free. The Pb-free JEDEC designator (ⓔ3) can be found on the outer packaging for this package.
<b>Note:</b>	In the event the full Microchip part number cannot be marked on one line, it will be carried over to the next line, thus limiting the number of available characters for customer-specific information.	

## 10-Lead Ultra-thin Dual Flatpack No-Lead (NA[Y]) – 3x3x0.5 mm Body [UDFN]

**Note:** For the most current package drawings, please see the Microchip Packaging Specification located at <http://www.microchip.com/packaging>

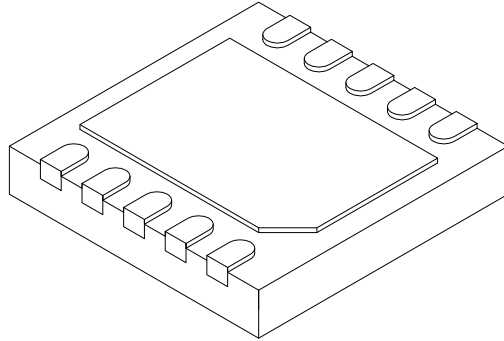


Microchip Technology Drawing C04-194A Sheet 1 of 2

# MTD6508

## 10-Lead Ultra-thin Dual Flatpack No-Lead (NA[Y]) – 3x3x0.5 mm Body [UDFN]

**Note:** For the most current package drawings, please see the Microchip Packaging Specification located at <http://www.microchip.com/packaging>



Dimension	Units	MILLIMETERS		
	Limits	MIN	NOM	MAX
Number of Pins	N	10		
Pitch	e	0.50 BSC		
Overall Height	A	0.45	0.50	0.55
Standoff	A1	0.00	-	0.05
Overall Length	D	3.00 BSC		
Overall Width	E	3.00 BSC		
Exposed Pad Length	D2	2.40	2.50	2.60
Exposed Pad Width	E2	1.70	1.80	1.90
Terminal Thickness	(A3)	0.127 REF		
Terminal Width	b	0.20	0.25	0.30
Terminal Length	L	0.30	0.40	0.50
Terminal-to-Exposed Pad	K	0.20	-	-

**Notes:**

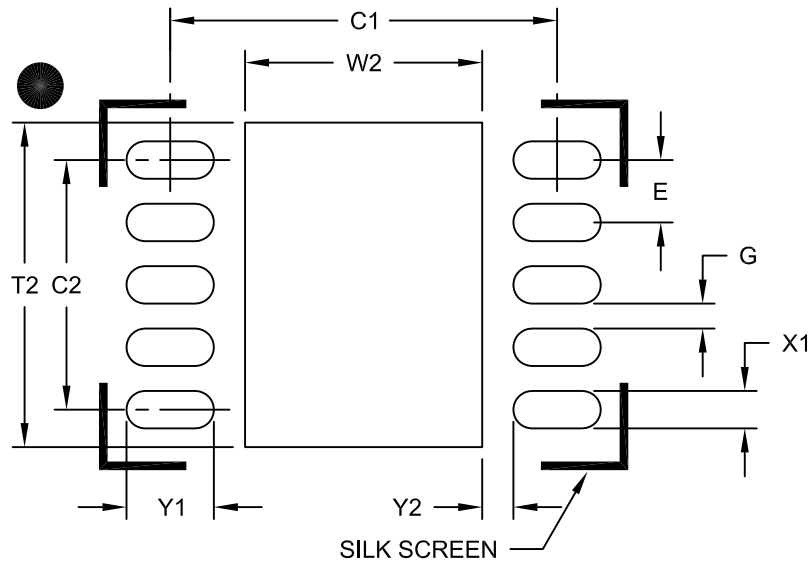
1. Pin 1 visual index feature may vary, but must be located within the hatched area.
2. Package may have one or more exposed tie bars at ends.
2. Package is saw singulated
4. Dimensioning and tolerancing per ASME Y14.5M.  
BSC: Basic Dimension. Theoretically exact value shown without tolerances.  
REF: Reference Dimension, usually without tolerance, for information purposes only.

Microchip Technology Drawing C04-194A Sheet 2 of 2



## 10-Lead Ultra-thin Dual Flatpack, No Lead Package (NA[Y]) - 3x3 mm Body (UDFN)

**Note:** For the most current package drawings, please see the Microchip Packaging Specification located at <http://www.microchip.com/packaging>



RECOMMENDED LAND PATTERN

Dimension Limits	Units	MILLIMETERS		
		MIN	NOM	MAX
Terminal Pitch	E	0.50 BSC		
Optional Center Pad Width	W2			1.90
Optional Center Pad Length	T2			2.60
Terminal Pad Spacing	C1		3.10	
Terminal Pad Spacing	C2		2.00	
Terminal Pad Width (X10)	X1			0.30
Terminal Pad Length (X10)	Y1			0.70
Terminal Pad to Center (X10)	Y2	0.25		
Distance Between Pads	G	0.20		

**Notes:**

1. Dimensioning and tolerancing per ASME Y14.5M

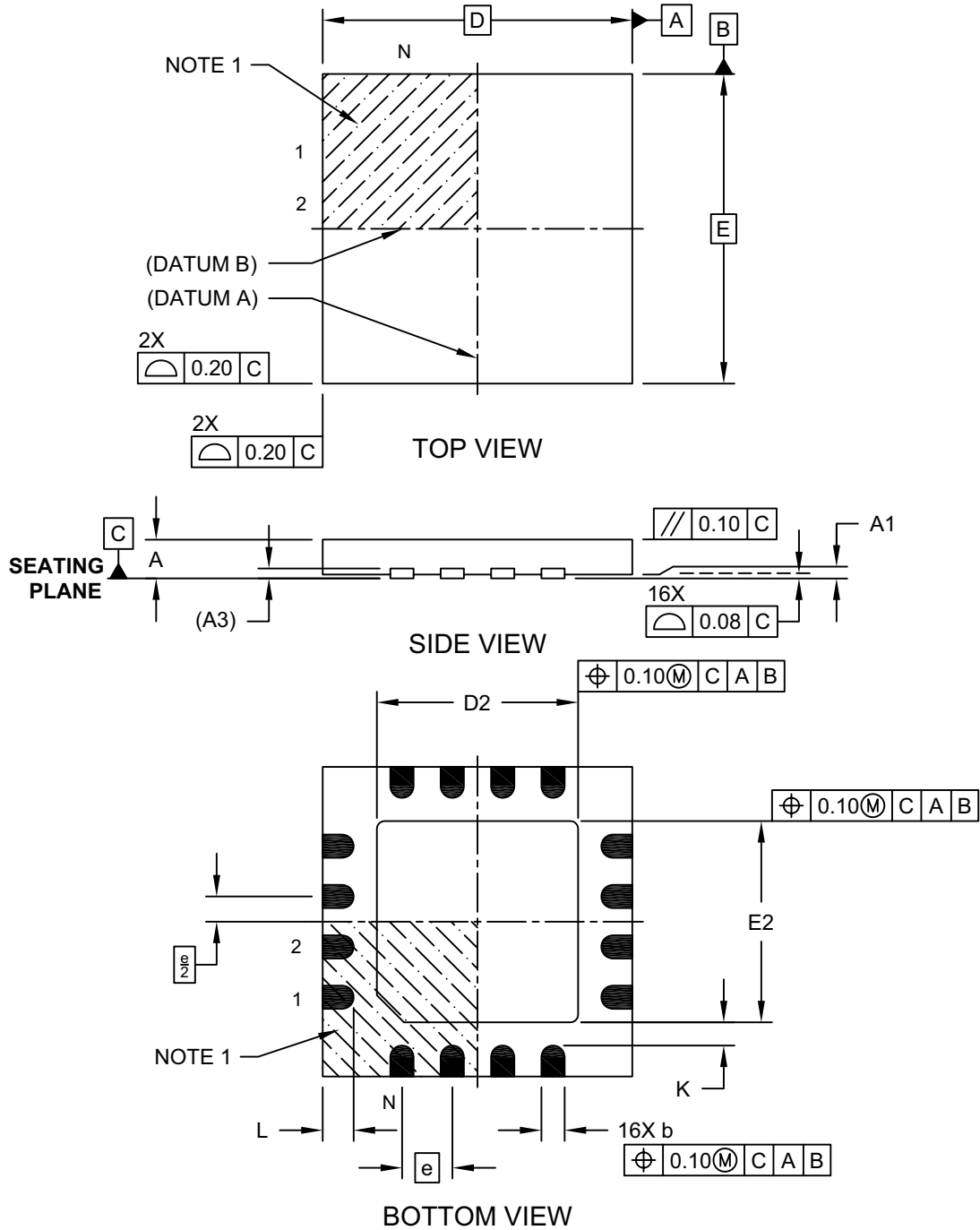
BSC: Basic Dimension. Theoretically exact value shown without tolerances.

Microchip Technology Drawing No. C04-2194A

# MTD6508

## 16-Lead Ultra Thin Plastic Quad Flat, No Lead Package (JQ) - 4x4x0.5 mm Body [UQFN]

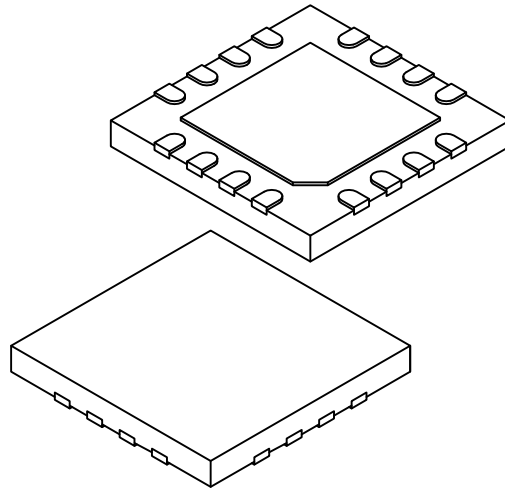
**Note:** For the most current package drawings, please see the Microchip Packaging Specification located at <http://www.microchip.com/packaging>



Microchip Technology Drawing C04-257A Sheet 1 of 2

## 16-Lead Ultra Thin Plastic Quad Flat, No Lead Package (JQ) - 4x4x0.5 mm Body [UQFN]

**Note:** For the most current package drawings, please see the Microchip Packaging Specification located at <http://www.microchip.com/packaging>



Dimension Limits	Units	MILLIMETERS		
		MIN	NOM	MAX
Number of Pins	N	16		
Pitch	e	0.65 BSC		
Overall Height	A	0.45	0.50	0.55
Standoff	A1	0.00	0.02	0.05
Terminal Thickness	A3	0.127 REF		
Overall Width	E	4.00 BSC		
Exposed Pad Width	E2	2.50	2.60	2.70
Overall Length	D	4.00 BSC		
Exposed Pad Length	D2	2.50	2.60	2.70
Terminal Width	b	0.25	0.30	0.35
Terminal Length	L	0.30	0.40	0.50
Terminal-to-Exposed-Pad	K	0.20	-	-

**Notes:**

1. Pin 1 visual index feature may vary, but must be located within the hatched area.
2. Package is saw singulated
3. Dimensioning and tolerancing per ASME Y14.5M

BSC: Basic Dimension. Theoretically exact value shown without tolerances.

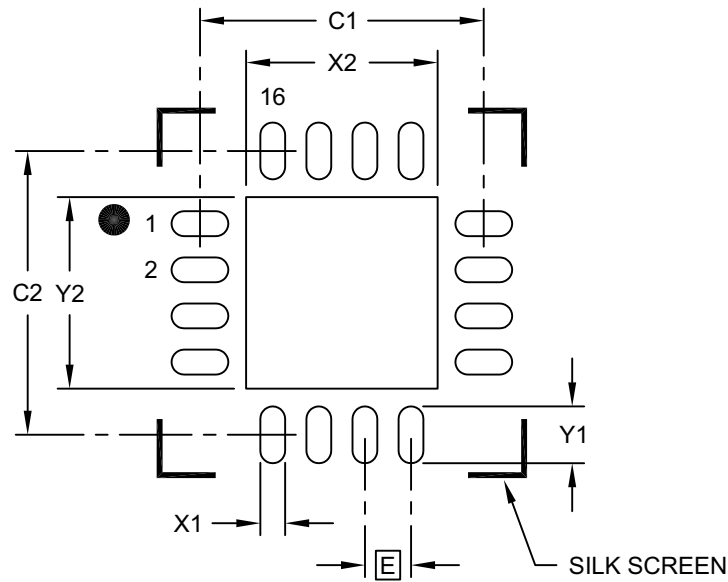
REF: Reference Dimension, usually without tolerance, for information purposes only.

Microchip Technology Drawing C04-257A Sheet 2 of 2

# MTD6508

## 16-Lead Ultra Thin Plastic Quad Flat, No Lead Package (JQ) - 4x4x0.5 mm Body [UQFN]

**Note:** For the most current package drawings, please see the Microchip Packaging Specification located at <http://www.microchip.com/packaging>



### RECOMMENDED LAND PATTERN

Dimension Limits	Units	MILLIMETERS		
		MIN	NOM	MAX
Contact Pitch	E	0.65 BSC		
Optional Center Pad Width	X2			2.70
Optional Center Pad Length	Y2			2.70
Contact Pad Spacing	C1		4.00	
Contact Pad Spacing	C2		4.00	
Contact Pad Width (X16)	X1			0.35
Contact Pad Length (X16)	Y1			0.80

**Notes:**

1. Dimensioning and tolerancing per ASME Y14.5M

BSC: Basic Dimension. Theoretically exact value shown without tolerances.

Microchip Technology Drawing C04-2257A

## APPENDIX A: REVISION HISTORY

### Revision A (April 2015)

- Original release of this document.

# MTD6508

---

NOTES:

## PRODUCT IDENTIFICATION SYSTEM

To order or obtain information, e.g., on pricing or delivery, refer to the factory or the listed sales office.

<u>PART NO.</u>	<u>T<sup>(1)</sup></u>	<u>X</u>	<u>XX</u>
Device	Tape & Reel	Temperature	Package
<b>Device:</b>	MTD6508: 3-Phase Brushless DC, Sinusoidal Sensorless Fan Motor Driver		
<b>Temperature Range:</b>	E	=	-40°C to +125°C (Extended)
<b>Package:</b>	JQ	=	Ultra Thin Plastic Quad Flat, No-Lead Package (JQ) – 4x4x0.5 mm Body, 16-Lead UQFN
	NA	=	Ultra-thin Dual Flatpack, No-Lead Package (NA[Y]) – 3x3x0.5 mm Body, 10-Lead UDFN

**Examples:**

a) MTD6508-ADJE/JQ Extended Temperature 16LD 4x4 UQFN package

b) MTD6508T-E/NA Tape and Reel, Extended Temperature 10LD 3x3 UDFN package

**Note 1:** Tape and Reel identifier only appears in the catalog part number description. This identifier is used for ordering purposes and is not printed on the device package. Check with your Microchip Sales Office for package availability with the Tape and Reel option.

# MTD6508

---

NOTES:



---

**Note the following details of the code protection feature on Microchip devices:**

- Microchip products meet the specification contained in their particular Microchip Data Sheet.
- Microchip believes that its family of products is one of the most secure families of its kind on the market today, when used in the intended manner and under normal conditions.
- There are dishonest and possibly illegal methods used to breach the code protection feature. All of these methods, to our knowledge, require using the Microchip products in a manner outside the operating specifications contained in Microchip's Data Sheets. Most likely, the person doing so is engaged in theft of intellectual property.
- Microchip is willing to work with the customer who is concerned about the integrity of their code.
- Neither Microchip nor any other semiconductor manufacturer can guarantee the security of their code. Code protection does not mean that we are guaranteeing the product as “unbreakable.”

Code protection is constantly evolving. We at Microchip are committed to continuously improving the code protection features of our products. Attempts to break Microchip's code protection feature may be a violation of the Digital Millennium Copyright Act. If such acts allow unauthorized access to your software or other copyrighted work, you may have a right to sue for relief under that Act.

---

Information contained in this publication regarding device applications and the like is provided only for your convenience and may be superseded by updates. It is your responsibility to ensure that your application meets with your specifications. MICROCHIP MAKES NO REPRESENTATIONS OR WARRANTIES OF ANY KIND WHETHER EXPRESS OR IMPLIED, WRITTEN OR ORAL, STATUTORY OR OTHERWISE, RELATED TO THE INFORMATION, INCLUDING BUT NOT LIMITED TO ITS CONDITION, QUALITY, PERFORMANCE, MERCHANTABILITY OR FITNESS FOR PURPOSE. Microchip disclaims all liability arising from this information and its use. Use of Microchip devices in life support and/or safety applications is entirely at the buyer's risk, and the buyer agrees to defend, indemnify and hold harmless Microchip from any and all damages, claims, suits, or expenses resulting from such use. No licenses are conveyed, implicitly or otherwise, under any Microchip intellectual property rights.

**Trademarks**

The Microchip name and logo, the Microchip logo, dsPIC, FlashFlex, flexPWR, JukeBlox, KEELOQ, KEELOQ logo, Kleer, LANCheck, MediaLB, MOST, MOST logo, MPLAB, OptoLyzer, PIC, PICSTART, PIC<sup>32</sup> logo, RightTouch, SpyNIC, SST, SST Logo, SuperFlash and UNI/O are registered trademarks of Microchip Technology Incorporated in the U.S.A. and other countries.

The Embedded Control Solutions Company and mTouch are registered trademarks of Microchip Technology Incorporated in the U.S.A.

Analog-for-the-Digital Age, BodyCom, chipKIT, chipKIT logo, CodeGuard, dsPICDEM, dsPICDEM.net, ECAN, In-Circuit Serial Programming, ICSP, Inter-Chip Connectivity, KleerNet, KleerNet logo, MiWi, MPASM, MPF, MPLAB Certified logo, MPLIB, MPLINK, MultiTRAK, NetDetach, Omniscient Code Generation, PICDEM, PICDEM.net, PICkit, PICtail, RightTouch logo, REAL ICE, SQI, Serial Quad I/O, Total Endurance, TSHARC, USBCheck, VariSense, ViewSpan, WiperLock, Wireless DNA, and ZENA are trademarks of Microchip Technology Incorporated in the U.S.A. and other countries.

SQTP is a service mark of Microchip Technology Incorporated in the U.S.A.

Silicon Storage Technology is a registered trademark of Microchip Technology Inc. in other countries.

GestIC is a registered trademarks of Microchip Technology Germany II GmbH & Co. KG, a subsidiary of Microchip Technology Inc., in other countries.

All other trademarks mentioned herein are property of their respective companies.

© 2015, Microchip Technology Incorporated, Printed in the U.S.A., All Rights Reserved.

ISBN: 978-1-63277-347-0

**QUALITY MANAGEMENT SYSTEM**  
**CERTIFIED BY DNV**  
**== ISO/TS 16949 ==**

*Microchip received ISO/TS-16949:2009 certification for its worldwide headquarters, design and wafer fabrication facilities in Chandler and Tempe, Arizona; Gresham, Oregon and design centers in California and India. The Company's quality system processes and procedures are for its PIC® MCUs and dsPIC® DSCs, KEELOQ® code hopping devices, Serial EEPROMs, microperipherals, nonvolatile memory and analog products. In addition, Microchip's quality system for the design and manufacture of development systems is ISO 9001:2000 certified.*



# MICROCHIP

## Worldwide Sales and Service

### AMERICAS

**Corporate Office**  
2355 West Chandler Blvd.  
Chandler, AZ 85224-6199  
Tel: 480-792-7200  
Fax: 480-792-7277  
Technical Support:  
<http://www.microchip.com/support>  
Web Address:  
[www.microchip.com](http://www.microchip.com)

**Atlanta**  
Duluth, GA  
Tel: 678-957-9614  
Fax: 678-957-1455

**Austin, TX**  
Tel: 512-257-3370

**Boston**  
Westborough, MA  
Tel: 774-760-0087  
Fax: 774-760-0088

**Chicago**  
Itasca, IL  
Tel: 630-285-0071  
Fax: 630-285-0075

**Cleveland**  
Independence, OH  
Tel: 216-447-0464  
Fax: 216-447-0643

**Dallas**  
Addison, TX  
Tel: 972-818-7423  
Fax: 972-818-2924

**Detroit**  
Novi, MI  
Tel: 248-848-4000

**Houston, TX**  
Tel: 281-894-5983  
Indianapolis

**Noblesville, IN**  
Tel: 317-773-8323  
Fax: 317-773-5453

**Los Angeles**  
Mission Viejo, CA  
Tel: 949-462-9523  
Fax: 949-462-9608

**New York, NY**  
Tel: 631-435-6000

**San Jose, CA**  
Tel: 408-735-9110

**Canada - Toronto**  
Tel: 905-673-0699  
Fax: 905-673-6509

### ASIA/PACIFIC

**Asia Pacific Office**  
Suites 3707-14, 37th Floor  
Tower 6, The Gateway  
Harbour City, Kowloon

**Hong Kong**  
Tel: 852-2943-5100  
Fax: 852-2401-3431

**Australia - Sydney**  
Tel: 61-2-9868-6733  
Fax: 61-2-9868-6755

**China - Beijing**  
Tel: 86-10-8569-7000  
Fax: 86-10-8528-2104

**China - Chengdu**  
Tel: 86-28-8665-5511  
Fax: 86-28-8665-7889

**China - Chongqing**  
Tel: 86-23-8980-9588  
Fax: 86-23-8980-9500

**China - Dongguan**  
Tel: 86-769-8702-9880

**China - Hangzhou**  
Tel: 86-571-8792-8115  
Fax: 86-571-8792-8116

**China - Hong Kong SAR**  
Tel: 852-2943-5100  
Fax: 852-2401-3431

**China - Nanjing**  
Tel: 86-25-8473-2460  
Fax: 86-25-8473-2470

**China - Qingdao**  
Tel: 86-532-8502-7355  
Fax: 86-532-8502-7205

**China - Shanghai**  
Tel: 86-21-5407-5533  
Fax: 86-21-5407-5066

**China - Shenyang**  
Tel: 86-24-2334-2829  
Fax: 86-24-2334-2393

**China - Shenzhen**  
Tel: 86-755-8864-2200  
Fax: 86-755-8203-1760

**China - Wuhan**  
Tel: 86-27-5980-5300  
Fax: 86-27-5980-5118

**China - Xian**  
Tel: 86-29-8833-7252  
Fax: 86-29-8833-7256

### ASIA/PACIFIC

**China - Xiamen**  
Tel: 86-592-2388138  
Fax: 86-592-2388130

**China - Zhuhai**  
Tel: 86-756-3210040  
Fax: 86-756-3210049

**India - Bangalore**  
Tel: 91-80-3090-4444  
Fax: 91-80-3090-4123

**India - New Delhi**  
Tel: 91-11-4160-8631  
Fax: 91-11-4160-8632

**India - Pune**  
Tel: 91-20-3019-1500

**Japan - Osaka**  
Tel: 81-6-6152-7160  
Fax: 81-6-6152-9310

**Japan - Tokyo**  
Tel: 81-3-6880-3770  
Fax: 81-3-6880-3771

**Korea - Daegu**  
Tel: 82-53-744-4301  
Fax: 82-53-744-4302

**Korea - Seoul**  
Tel: 82-2-554-7200  
Fax: 82-2-558-5932 or  
82-2-558-5934

**Malaysia - Kuala Lumpur**  
Tel: 60-3-6201-9857  
Fax: 60-3-6201-9859

**Malaysia - Penang**  
Tel: 60-4-227-8870  
Fax: 60-4-227-4068

**Philippines - Manila**  
Tel: 63-2-634-9065  
Fax: 63-2-634-9069

**Singapore**  
Tel: 65-6334-8870  
Fax: 65-6334-8850

**Taiwan - Hsin Chu**  
Tel: 886-3-5778-366  
Fax: 886-3-5770-955

**Taiwan - Kaohsiung**  
Tel: 886-7-213-7828

**Taiwan - Taipei**  
Tel: 886-2-2508-8600  
Fax: 886-2-2508-0102

**Thailand - Bangkok**  
Tel: 66-2-694-1351  
Fax: 66-2-694-1350

### EUROPE

**Austria - Wels**  
Tel: 43-7242-2244-39  
Fax: 43-7242-2244-393

**Denmark - Copenhagen**  
Tel: 45-4450-2828  
Fax: 45-4485-2829

**France - Paris**  
Tel: 33-1-69-53-63-20  
Fax: 33-1-69-30-90-79

**Germany - Dusseldorf**  
Tel: 49-2129-3766400

**Germany - Munich**  
Tel: 49-89-627-144-0  
Fax: 49-89-627-144-44

**Germany - Pforzheim**  
Tel: 49-7231-424750

**Italy - Milan**  
Tel: 39-0331-742611  
Fax: 39-0331-466781

**Italy - Venice**  
Tel: 39-049-7625286

**Netherlands - Drunen**  
Tel: 31-416-690399  
Fax: 31-416-690340

**Poland - Warsaw**  
Tel: 48-22-3325737  
Fax: 31-416-690340

**Spain - Madrid**  
Tel: 34-91-708-08-90  
Fax: 34-91-708-08-91

**Sweden - Stockholm**  
Tel: 46-8-5090-4654

**UK - Wokingham**  
Tel: 44-118-921-5800  
Fax: 44-118-921-5820

01/27/15

## Данный компонент на территории Российской Федерации

### Вы можете приобрести в компании MosChip.

Для оперативного оформления запроса Вам необходимо перейти по данной ссылке:

<http://moschip.ru/get-element>

Вы можете разместить у нас заказ для любого Вашего проекта, будь то серийное производство или разработка единичного прибора.

В нашем ассортименте представлены ведущие мировые производители активных и пассивных электронных компонентов.

Нашей специализацией является поставка электронной компонентной базы двойного назначения, продукции таких производителей как XILINX, Intel (ex.ALTERA), Vicor, Microchip, Texas Instruments, Analog Devices, Mini-Circuits, Amphenol, Glenair.

Сотрудничество с глобальными дистрибьюторами электронных компонентов, предоставляет возможность заказывать и получать с международных складов практически любой перечень компонентов в оптимальные для Вас сроки.

На всех этапах разработки и производства наши партнеры могут получить квалифицированную поддержку опытных инженеров.

Система менеджмента качества компании отвечает требованиям в соответствии с ГОСТ Р ИСО 9001, ГОСТ РВ 0015-002 и ЭС РД 009

### Офис по работе с юридическими лицами:

105318, г.Москва, ул.Щербаковская д.3, офис 1107, 1118, ДЦ «Щербаковский»

Телефон: +7 495 668-12-70 (многоканальный)

Факс: +7 495 668-12-70 (доб.304)

E-mail: [info@moschip.ru](mailto:info@moschip.ru)

Skype отдела продаж:

moschip.ru

moschip.ru\_4

moschip.ru\_6

moschip.ru\_9