

# SSL - Discrete Wire IDC Contact & Cap

## Series 9176-400



The 917X series of surface mount Insulation Displacement Connectors (IDC) were developed to meet the harsh automotive and industrial market applications for connecting individual wires directly to a PCB ranging from 14 AWG to 28 AWG. This industry proven contact system has been tested to automotive levels of shock, vibration, and temperature cycling to prove their reliability and robustness. This new single contact was developed as a standalone component to enhance the application uses with the IDC technology. The simplicity of inserting a wire into an SMT contact with a small tool or optional retention / termination cap allows a wide range of devices to be connected to the PCB without soldering. In SSL applications specifically, these contacts are used to bring power and signal onto the PCB or are used to daisy chain multiple boards together in a long string. While the IDC contact provides a gas-tight connection to conductor of the wire, the optional cap provides a positive strain relief even in the harshest conditions. In case of repair, the wires can be removed and replace up to three times.

The single 9176-400 series contact and cap accepts 22 AWG to 24 AWG wires with an insulation diameter ranging from 1.0mm to 1.5mm. These dual beam contacts support a 6 amp current rating with a large SMT solder base to provide maximum stability on the PCB. The optional locking strain relief cap acts as the termination tool for severe vibration applications.

### APPLICATIONS

- Connecting discrete wire components directly to the PCB
- Bringing power and signals onto a PCB
- Daisy chaining PCB's together to create a continuous string of boards
- Application notes: refer to 201-01-124

### FEATURES AND BENEFITS

- IDC contact is supplied in T&R pockets for standard SMT placement
- IDC contact provides a gas-tight connection to the PCB for long term reliability
- Optional termination cap provides additional strain relief for severe environments
- Tested to automotive levels on shock, vibration and temperature cycling for reliability
- Reduced total applied cost versus solder or crimp processes
- Individual contacts can be located anywhere on the PCB based on specific application

### ELECTRICAL

- Current Rating: 6 Amps/Contact
- Voltage Rating: Dependant on component proximity

### ENVIRONMENTAL

- Operating Temperature: -40°C to +125°C

### MECHANICAL

- Insulator Material: Nylon 46: UL94V0
- Contact Material: Phosphor Bronze
- Plating: Tin over Nickel
- Durability: 3 Cycles

### HOW TO ORDER – CONTACT OPTIONS

<b>70</b>	<b>9176</b>	<b>001</b>	<b>4XX</b>	<b>006</b>												
Prefix	Series	Number of Ways	Wire Gauge Size	Plating Option												
70 = Contact				06 = Pure Tin all over												
		<table border="1"> <thead> <tr> <th>Code</th> <th>No of Ways</th> <th>Details</th> </tr> </thead> <tbody> <tr> <td>001</td> <td>1</td> <td>Page 53</td> </tr> </tbody> </table>	Code	No of Ways	Details	001	1	Page 53	<table border="1"> <thead> <tr> <th>Code</th> <th>Accepted Wire Gauge</th> </tr> </thead> <tbody> <tr> <td>422</td> <td>22 Gauge Stranded</td> </tr> <tr> <td>432</td> <td>24 Gauge Stranded</td> </tr> </tbody> </table>	Code	Accepted Wire Gauge	422	22 Gauge Stranded	432	24 Gauge Stranded	
Code	No of Ways	Details														
001	1	Page 53														
Code	Accepted Wire Gauge															
422	22 Gauge Stranded															
432	24 Gauge Stranded															

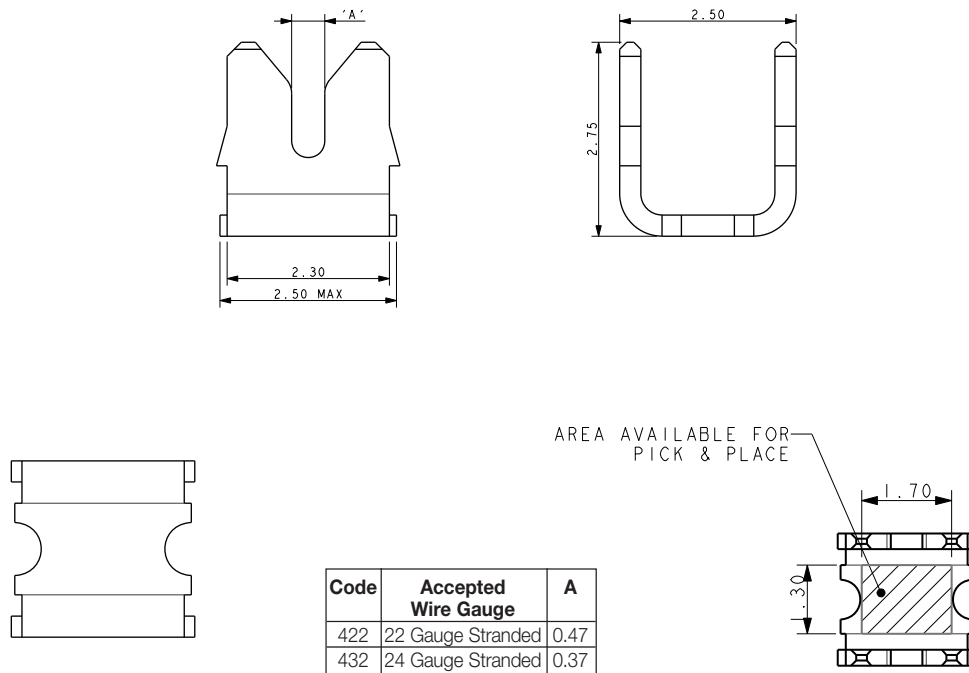
### HOW TO ORDER – CAP OPTIONS

<b>60</b>	<b>9176</b>	<b>001</b>	<b>4XX</b>	<b>X00</b>																			
Prefix	Series	Number of Ways	Wire Gauge Size	Insulator Color																			
60 = Cap																							
		<table border="1"> <thead> <tr> <th>Code</th> <th>No of Ways</th> <th>Details</th> </tr> </thead> <tbody> <tr> <td>001</td> <td>1</td> <td>Page 55</td> </tr> </tbody> </table>	Code	No of Ways	Details	001	1	Page 55	<table border="1"> <thead> <tr> <th>Code</th> <th>Wire Insulation</th> </tr> </thead> <tbody> <tr> <td>415</td> <td>Ø 1.0-1.5</td> </tr> </tbody> </table>	Code	Wire Insulation	415	Ø 1.0-1.5	<table border="1"> <thead> <tr> <th>Code</th> <th>Color</th> <th>Application</th> </tr> </thead> <tbody> <tr> <td>000</td> <td>Black</td> <td>Industrial</td> </tr> <tr> <td>100</td> <td>White</td> <td>Lighting</td> </tr> </tbody> </table>	Code	Color	Application	000	Black	Industrial	100	White	Lighting
Code	No of Ways	Details																					
001	1	Page 55																					
Code	Wire Insulation																						
415	Ø 1.0-1.5																						
Code	Color	Application																					
000	Black	Industrial																					
100	White	Lighting																					

# SSL - Discrete Wire IDC Contact & Cap

Series 9176-400

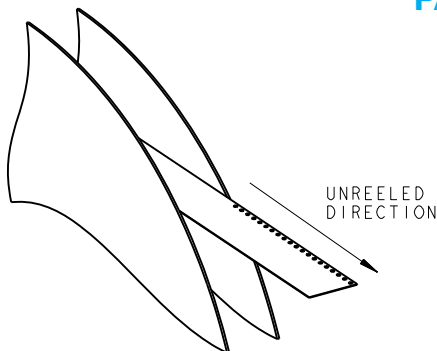
## CONTACT DETAILS



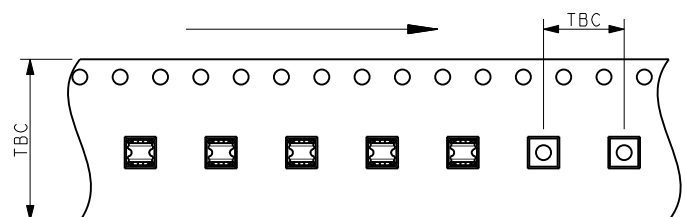
### NOTES:

1. CONNECTOR FOR IDC WIRE TO BOARD CONNECTION.
2. CONTACT MATERIAL: PHOSPHORE BRONZE.
3. CONTACT PLATING: PURE TIN.
4. CONNECTOR DESIGNED TO ACCEPT BETWEEN 22 AND 24 GAUGE STRANDED WIRE. SEE TABLE.
5. ALL DIMENSIONS FOR REFERENCE UNLESS OTHERWISE STATED.
6. FOR FULL PRODUCT SPECIFICATION REFER TO ELCO SPEC 201-01-106 AND APPLICATION NOTES 201-01-124.
7. SMT PCB LAYOUT, REFER TO PAGE 53.
8. PACKING IN TAPE AND REEL, QUANTITY 2000 PER REEL.
9. WHEN REQUIRED, MATCHING CAP DETAILS ON DRAWING 60-9176-001-4XX-X06S.
10. ASSEMBLY TOOLING ON PAGE 54 FOR WIRE INTO CONTACT.

## PACKING DETAILS



REEL QTY	1000
LEADER	480MM
TRAILER	120MM



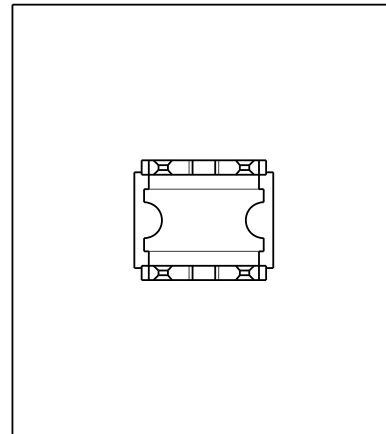
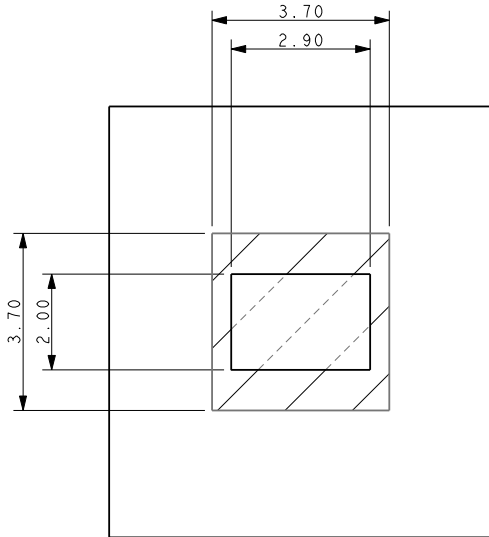
# SSL - Discrete Wire IDC Contact & Cap **AVX**

Series 9176-400

## 22-24 AWG IDC WIRE TO BOARD CONNECTOR SINGLE CONTACT

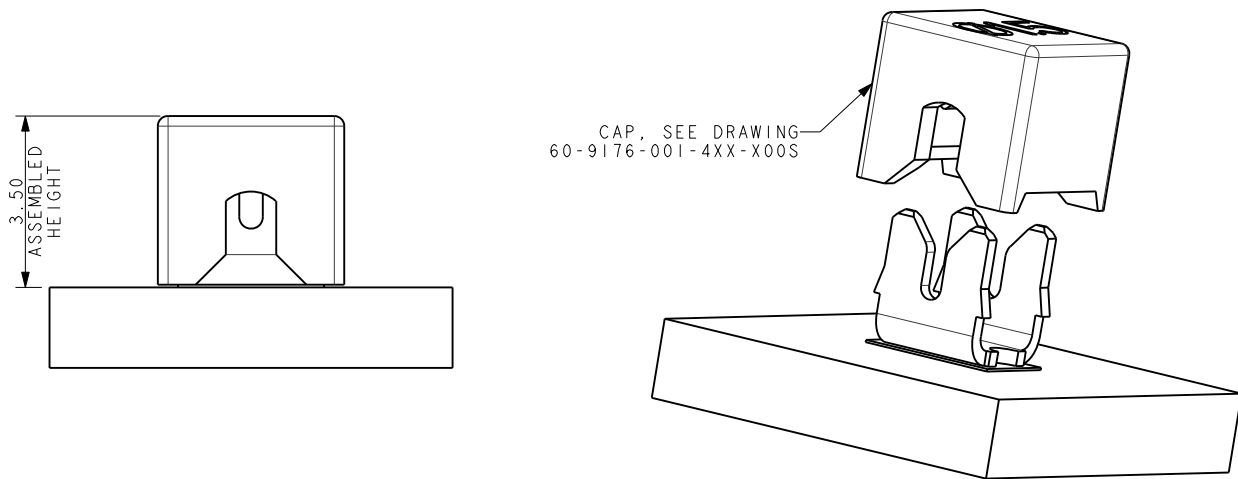
### SMT PCB LAYOUT

PURE TIN PADS



ORIENTATION OF CONTACT ON PAD

### ASSEMBLED/INSTALLED PRODUCTS



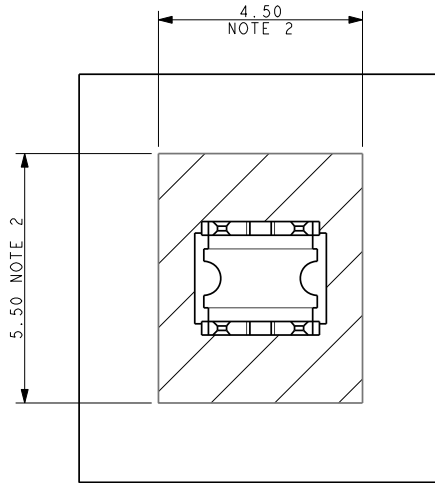
#### NOTES:

1. CONNECTOR CAN BE USED WITH CONTACT ONLY OR WITH OPTIONAL CAP.
2. OUTLINE OF CAP WHEN USED.
3. FOR FULL PRODUCT SPECIFICATION REFER TO ELCO SPEC 201-01-106 AND APPLICATION NOTES 201-01-124.
4. DIMENSIONS SHOWN ARE REFERENCED DIMENSIONS.
5. ASSEMBLY TOOLING FOR WIRE INTO CONTACT SEE PAGE 54.

# SSL - Discrete Wire IDC Contact & Cap

Series 9176-400

## ASSEMBLY TOOLING – CAP NOT USED WIRE ONTO CONTACT

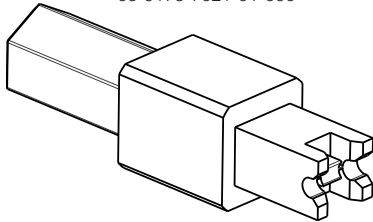


NOTES:

1. ASSEMBLY TOOLING FOR CONTACT ONLY, NO CAP USED.
2. MINIMUM AREA OF PCB TO BE KEPT CLEAR OF COMPONENTS, TACKS PERMISSIBLE.
3. REFER TO APPLICATION NOTE 201-01-124 FOR FURTHER INFORMATION.
4. INSERT CORRECT TOOL INTO HANDLE, MAGNETIC RETENTION .

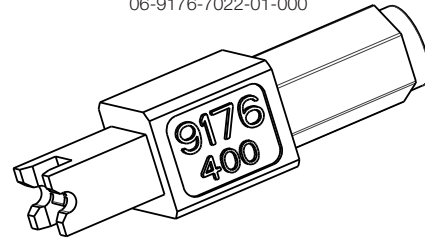
### METAL TOOL – HIGH VOLUME

06-9176-7021-01-000



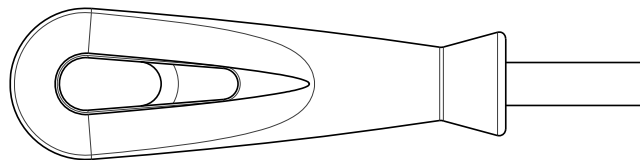
### PLASTIC TOOL – LOW/MEDIUM VOLUME

06-9176-7022-01-000



### UNIVERSAL HANDLE

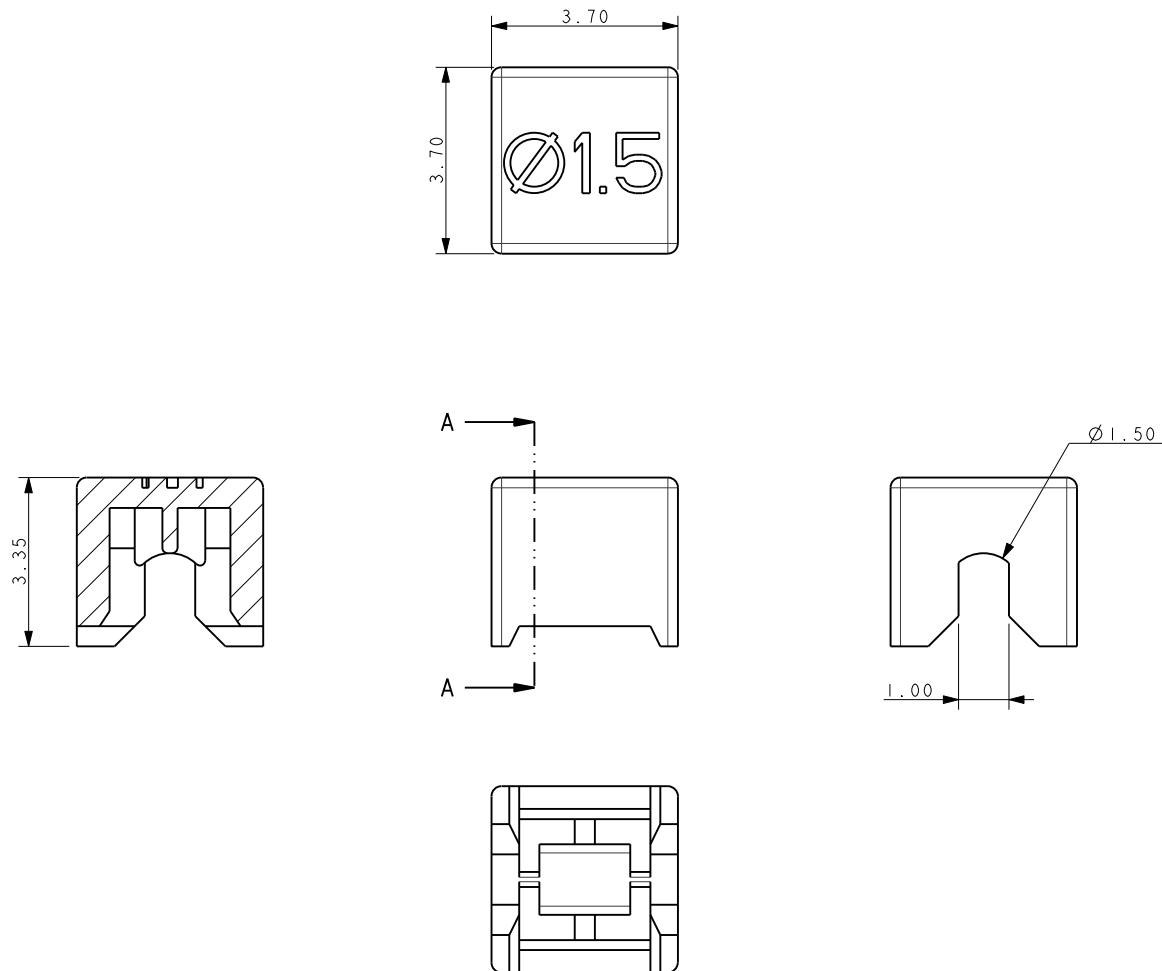
06 7000 7730 01 000



# SSL - Discrete Wire IDC Contact & Cap

Series 9176-400

## CAP DETAILS



### NOTES:

1. CAP FOR IDC WIRE TO BOARD CONNECTION.
2. CAP MATERIAL: GLASS FILLED NYLON 46, COLOR SEE PAGE 51.
3. CAPS DESIGNED TO ACCOMMODATE WIRE INSULATION DIAMETERS 1.0MM TO 1.5MM.
4. ALL DIMENSIONS FOR REFERENCE UNLESS OTHERWISE STATED.
5. FOR FULL PRODUCT SPECIFICATION REFER TO ELCO SPEC 201-01-106, APPLICATION NOTES 201-01-124.
6. PACKING IN BAGS, QUANTITY 2000 PER BAG.
7. FOR INSTALATION DETAILS REFER TO DRAWING 70-9176-001-4XX-006S.

## Данный компонент на территории Российской Федерации

### Вы можете приобрести в компании MosChip.

Для оперативного оформления запроса Вам необходимо перейти по данной ссылке:

<http://moschip.ru/get-element>

Вы можете разместить у нас заказ для любого Вашего проекта, будь то серийное производство или разработка единичного прибора.

В нашем ассортименте представлены ведущие мировые производители активных и пассивных электронных компонентов.

Нашей специализацией является поставка электронной компонентной базы двойного назначения, продукции таких производителей как XILINX, Intel (ex.ALTERA), Vicor, Microchip, Texas Instruments, Analog Devices, Mini-Circuits, Amphenol, Glenair.

Сотрудничество с глобальными дистрибьюторами электронных компонентов, предоставляет возможность заказывать и получать с международных складов практически любой перечень компонентов в оптимальные для Вас сроки.

На всех этапах разработки и производства наши партнеры могут получить квалифицированную поддержку опытных инженеров.

Система менеджмента качества компании отвечает требованиям в соответствии с ГОСТ Р ИСО 9001, ГОСТ РВ 0015-002 и ЭС РД 009

### Офис по работе с юридическими лицами:

105318, г.Москва, ул.Щербаковская д.3, офис 1107, 1118, ДЦ «Щербаковский»

Телефон: +7 495 668-12-70 (многоканальный)

Факс: +7 495 668-12-70 (доб.304)

E-mail: [info@moschip.ru](mailto:info@moschip.ru)

Skype отдела продаж:

moschip.ru

moschip.ru\_4

moschip.ru\_6

moschip.ru\_9