

# VE880 Series

## Single Channel VoicePort™ SLAC™ Device

**Le88010**

### APPLICATIONS

- Voice Enabled DSL Modems
- Voice over IP/ATM
- Integrated Access Devices (IAD)
- Smart Residential Gateways (SRG) and Routers
- Set-Top Box with PSTN Line Interface
- PBX trunk interface
- FXO interfaces

### FEATURES

- **In combination with a DAA, provides a complete phone line termination-to-digital interface solution**
  - Fully programmable SLAC™ device
  - Disconnect, Ringing signal, Line-in-use and Line polarity detection,
  - Line supervision for parallel devices connecting to subscriber line
  - Small footprint package - 44-pin QFN
  - Minimal external discrete components required
- **Compatible with solid state or transformer DAA interfaces**
- **High speed, pin selectable PCM/MPI or GCI interface**
- **Microprocessor interface**
- **GCI interface option**
- **Programmability**
  - Two-wire AC impedance
  - Input/Output mode selection for one relay driver and five general purpose digital I/O pins.
  - Adapts to all ringing frequencies
  - Disconnect, line polarity and line-in-use thresholds
  - DTMF tone generators
  - Dial pulse and DTMF cadence
- **Special feature support**
  - DTMF tones
  - Dial pulses
  - Caller ID pass-through
  - Numeric address signaling
  - On hook transmission
- **Integrated 150 mW 3-V or 5-V Relay Driver**
  - Supports lifeline POTS in DSL IAD applications

### ORDERING INFORMATION

Device	Package
Le88010BQC	44-pin QFN (Green package)*

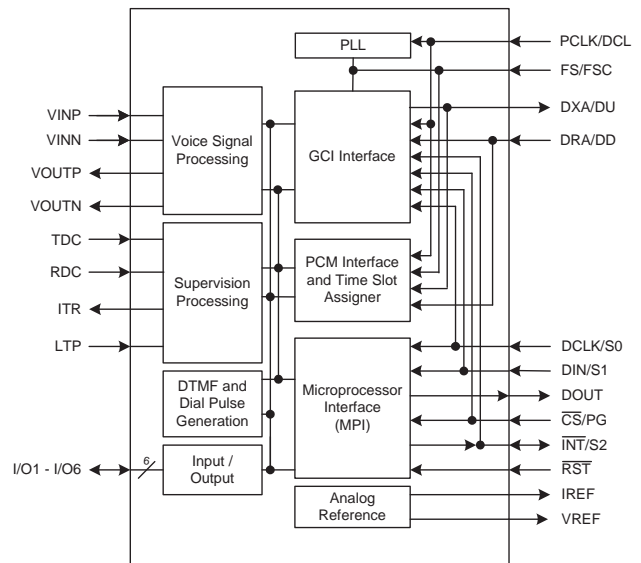
\*Green package meets RoHS Directive 2002/95/EC of the European Council to minimize the environmental impact of electrical equipment.

### DESCRIPTION

The Zarlink Le88010 VoicePort™ SLAC™ device, in combination with an analog DAA, implements all the voice functions necessary to properly terminate and monitor the customer premises side of a PSTN line and provide linear or G.711 A- or u-Law encoded voice output over a standard PCM or GCI highway. The Le88010 device is ideal for use in voice enabled DSL modems that implement lifeline POTS and support PBX functionality.

This device reduces system level cost, space, and power by achieving a high level of voice integration and adds programmability of transmission and signalling features. Designers benefit by having a simple, cost effective, low power and dense, interface design without sacrificing features or functionality.

### LE88010 VOICEPORT™ SLAC™ DEVICE BLOCK DIAGRAM



FEATURES	BENEFITS
• Seamless and compatible interface with solid state or transformer DAA	• Provides complete design flexibility to choose optimal DAA solution for target market
• Highly programmable	• Enables designer complete control over transmission and signalling features
• Highest level of integration	• Reduces system level cost and board space
• Comprehensive line monitoring	• Enables supervision functions such as disconnect, ringing signal detection, line-in-use, line polarity detection, and parallel phone off hook
• Dial pulse generation with cadence and DTMF tones	• Reduces real-time software overhead
• Small footprint, 44-pin QFN	• Reduces board space requirement with small form factor 7x7 mm square QFN package

### Related Literature and Supporting Collateral

- 081201-Le88010 VoicePort™ SLAC™ Device Data Sheet\*
- Le71HR0823 - VE880 Series Line Module supporting 1FXS and 1FXO  
Up to 150-V ringing with a 12-V Flyback Tracking Power Supply
- Le71HK002 - Universal VoicePath™ Development / Demo Platform
- Le71SK002 - VoicePath™ API-II Software System

\*Contact your Zarlink Sales Representative to obtain the data sheet.

### Packaging and Availability

See *Ordering Information* on first page.

### For More Information

To find the Zarlink Sales Office nearest you, visit our website at: [www.zarlink.com](http://www.zarlink.com).



**For more information about all Zarlink products  
visit our Web Site at  
[www.zarlink.com](http://www.zarlink.com)**

Information relating to products and services furnished herein by Zarlink Semiconductor Inc. or its subsidiaries (collectively "Zarlink") is believed to be reliable. However, Zarlink assumes no liability for errors that may appear in this publication, or for liability otherwise arising from the application or use of any such information, product or service or for any infringement of patents or other intellectual property rights owned by third parties which may result from such application or use. Neither the supply of such information or purchase of product or service conveys any license, either express or implied, under patents or other intellectual property rights owned by Zarlink or licensed from third parties by Zarlink, whatsoever. Purchasers of products are also hereby notified that the use of product in certain ways or in combination with Zarlink, or non-Zarlink furnished goods or services may infringe patents or other intellectual property rights owned by Zarlink.

This publication is issued to provide information only and (unless agreed by Zarlink in writing) may not be used, applied or reproduced for any purpose nor form part of any order or contract nor to be regarded as a representation relating to the products or services concerned. The products, their specifications, services and other information appearing in this publication are subject to change by Zarlink without notice. No warranty or guarantee express or implied is made regarding the capability, performance or suitability of any product or service. Information concerning possible methods of use is provided as a guide only and does not constitute any guarantee that such methods of use will be satisfactory in a specific piece of equipment. It is the user's responsibility to fully determine the performance and suitability of any equipment using such information and to ensure that any publication or data used is up to date and has not been superseded. Manufacturing does not necessarily include testing of all functions or parameters. These products are not suitable for use in any medical products whose failure to perform may result in significant injury or death to the user. All products and materials are sold and services provided subject to Zarlink's conditions of sale which are available on request.

Purchase of Zarlink's I2C components conveys a license under the Philips I2C Patent rights to use these components in an I2C System, provided that the system conforms to the I2C Standard Specification as defined by Philips.

Zarlink, ZL, the Zarlink Semiconductor logo and the Legerity logo and combinations thereof, VoiceEdge, VoicePort, SLAC, ISLIC, ISLAC and VoicePath are trademarks of Zarlink Semiconductor Inc.

**TECHNICAL DOCUMENTATION - NOT FOR RESALE**

---

## Данный компонент на территории Российской Федерации

### Вы можете приобрести в компании MosChip.

Для оперативного оформления запроса Вам необходимо перейти по данной ссылке:

<http://moschip.ru/get-element>

Вы можете разместить у нас заказ для любого Вашего проекта, будь то серийное производство или разработка единичного прибора.

В нашем ассортименте представлены ведущие мировые производители активных и пассивных электронных компонентов.

Нашей специализацией является поставка электронной компонентной базы двойного назначения, продукции таких производителей как XILINX, Intel (ex.ALTERA), Vicor, Microchip, Texas Instruments, Analog Devices, Mini-Circuits, Amphenol, Glenair.

Сотрудничество с глобальными дистрибьюторами электронных компонентов, предоставляет возможность заказывать и получать с международных складов практически любой перечень компонентов в оптимальные для Вас сроки.

На всех этапах разработки и производства наши партнеры могут получить квалифицированную поддержку опытных инженеров.

Система менеджмента качества компании отвечает требованиям в соответствии с ГОСТ Р ИСО 9001, ГОСТ РВ 0015-002 и ЭС РД 009

### Офис по работе с юридическими лицами:

105318, г.Москва, ул.Щербаковская д.3, офис 1107, 1118, ДЦ «Щербаковский»

Телефон: +7 495 668-12-70 (многоканальный)

Факс: +7 495 668-12-70 (доб.304)

E-mail: [info@moschip.ru](mailto:info@moschip.ru)

Skype отдела продаж:

moschip.ru

moschip.ru\_4

moschip.ru\_6

moschip.ru\_9