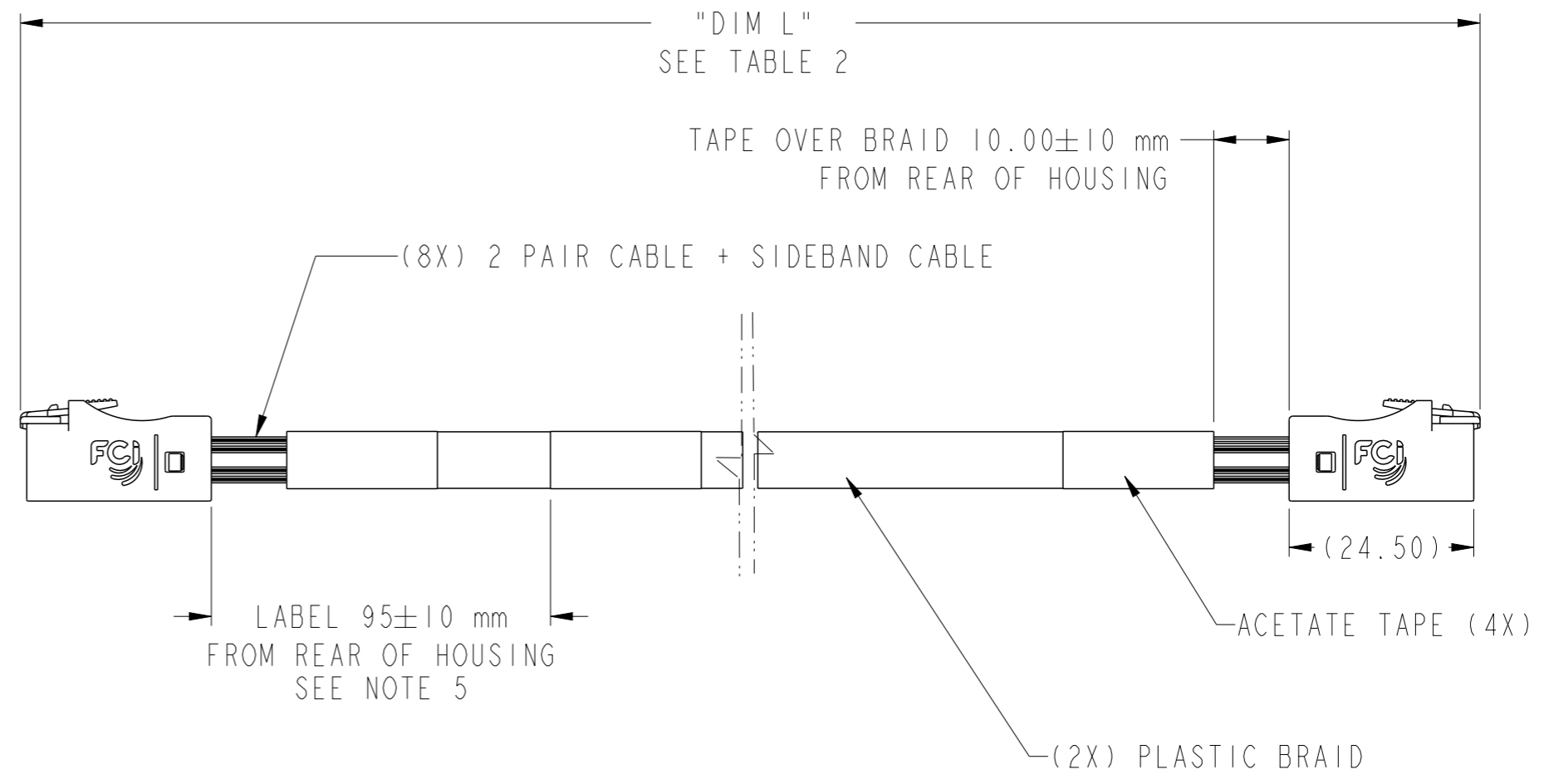
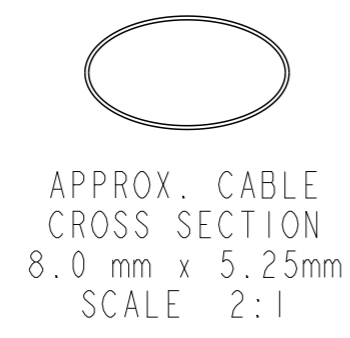
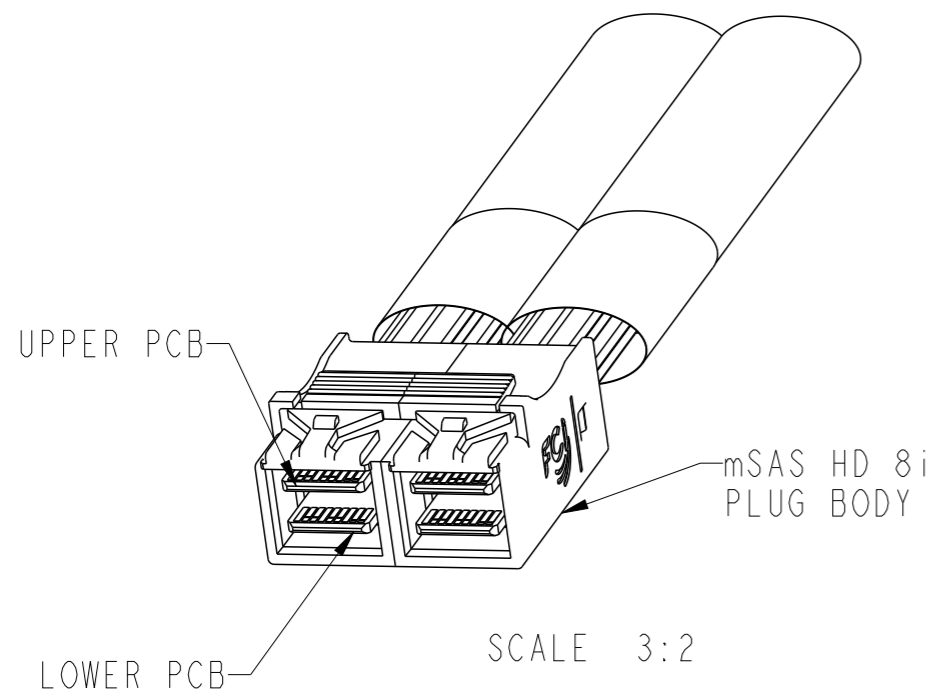


| FCI PART NUMBER | DESCRIPTION | NOTES |
|-----------------|--|-------------|
| 10120089-XXXXLF | CONTROLLER TO CONTROLLER CONFIGURATION | SEE TABLE 1 |



| | | | | | | | | | | |
|---------------------------------------|---------------------|------|---------------|-------------|---|----|----------|----------|------------------------|--------------|
| spec ref | - | dr | S Paulpandian | 2012/08/03 | projection | mm | size | A3 | scale | 1:1 |
| tolerance std | ISO 406 ISO 1101 | eng | Jason Gu | 2013/05/16 | | | ecn no | - | rel level | Released |
| TOLERANCES UNLESS OTHERWISE SPECIFIED | | chr | Kevin Bai | 2013/05/19 | | | | | | |
| surface | ISO 1302 | appr | Roger Cheng | 2013/05/19 | | | dwg no | 10120089 | rev | C |
| | linear | 0.X | ±0.3 | www.fci.com | title mSAS HD INTERNAL (8i) CABLE ASSEMBLY- 12 Gb/s | | cat. no. | - | Product - Customer Drw | sheet 1 of 4 |
| | angular | 0° | ±2° | | | | | | | |

| FCI PART NUMBER | DESCRIPTION | NOTES |
|-----------------|--|-------------|
| 10120089-XXXXLF | CONTROLLER TO CONTROLLER CONFIGURATION | SEE TABLE 1 |

| TABLE 1 - CABLE PART NUMBER LIST | | | |
|----------------------------------|-------------------------------|-----|---|
| PART NUMBER | "DIM L" CABLE LENGTH (METERS) | AWG | NOTES |
| 10120089-2030LF | 0.3 | 30 | CONTROLLER TO CONTROLLER WIRING CONFIGURATION (SHEET 2) ----- (SEE SHEET 3 FOR ALL NOTES) |
| 10120089-2040LF | 0.4 | 30 | |
| 10120089-2050LF | 0.5 | 30 | |
| 10120089-2060LF | 0.6 | 30 | |
| 10120089-2070LF | 0.7 | 30 | |
| 10120089-2080LF | 0.8 | 30 | |
| 10120089-2090LF | 0.9 | 30 | |
| 10120089-2100LF | 1.0 | 30 | |

NOTE:

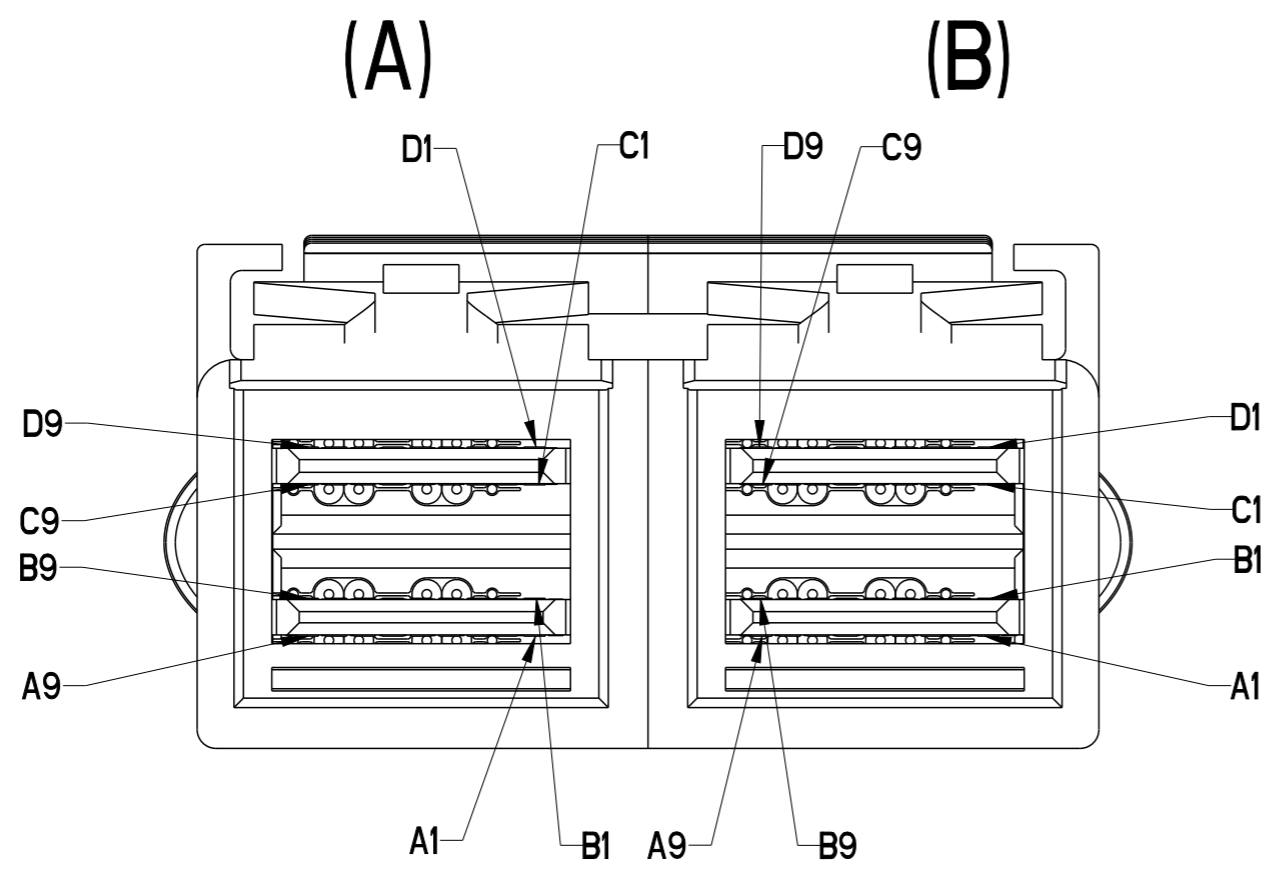
- ALL CABLE PERFORMANCE COMPLIANT SAS3.0 $\triangle C$
- CABLE MORE THAN 1M COULD NOT MEET SAS3.0 INSERTION LOSS -11dB MAX. $\triangle C$

| | | | | | | | | | | | |
|---------------------------------------|---------------------|------|---------------|------------|--|----------|----------------|------------------------|--------------|----------|---|
| spec ref | - | dr | S Paulpandian | 2012/08/03 | projection | mm | size | A3 | scale | 1:1 | |
| tolerance std | ISO 406 ISO 1101 | eng | Jason Gu | 2013/05/16 | | ← → | ecn no | ELX-N-14782-1 | | | |
| TOLERANCES UNLESS OTHERWISE SPECIFIED | | chr | Kevin Bai | 2013/05/19 | | | product family | - | rel level | Released | |
| surface | ✓ | appr | Roger Cheng | 2013/05/19 | mSAS HD INTERNAL (8i) CABLE ASSEMBLY- 12 Gb/s | | dwg no | 10120089 | | rev | C |
| ISO 1302 | linear | 0.X | ±0.3 | | www.fci.com | cat. no. | - | Product - Customer Drw | sheet 2 of 4 | | |
| | | 0.XX | ±0.10 | | | | | | | | |
| | angular | 0° | ±2° | | | | | | | | |



| | | |
|-----------------|--|-------------|
| FCI PART NUMBER | DESCRIPTION | NOTES |
| 10120089-XXXXLF | CONTROLLER TO CONTROLLER CONFIGURATION | SEE TABLE 1 |

P1-(A) TO P2-(A)
P1-(B) TO P2-(B)



SCALE 5:1

| LEGEND | |
|--------|--------------------------------------|
| | HIGH-SPEED SERIAL DIFFERENTIAL PAIRS |
| | SIGNAL RETURN |
| | SIDEBAND SIGNAL |

| WIRING LIST (CONTROLLER TO CONTROLLER) | | | | |
|--|------------|-------|---------------------|------------|
| END P1 (CONTROLLER) | | | END P2 (CONTROLLER) | |
| POSITION | SYMBOL | | POSITION | SYMBOL |
| D9 | GROUND | ----- | B9 | GROUND |
| D8 | Tx2- | | B8 | Rx2- |
| D7 | Tx2+ | | B7 | Rx2+ |
| D6 | GROUND | ----- | B6 | GROUND |
| D5 | Tx0- | | B5 | Rx0- |
| D4 | Tx0+ | | B4 | Rx0+ |
| D3 | GROUND | ----- | B3 | GROUND |
| D2 | SIDEBAND 6 | | B2 | SIDEBAND 1 |
| D1 | SIDEBAND 5 | | C2 | SIDEBAND 2 |
| C1 | SIDEBAND 4 | | B1 | SIDEBAND 3 |
| C2 | SIDEBAND 2 | | D1 | SIDEBAND 5 |
| C3 | GROUND | ----- | A3 | GROUND |
| C4 | Tx1+ | | A4 | Rx1+ |
| C5 | Tx1- | | A5 | Rx1- |
| C6 | GROUND | ----- | A6 | GROUND |
| C7 | Tx3+ | | A7 | Rx3+ |
| C8 | Tx3- | | A8 | Rx3- |
| C9 | GROUND | ----- | A9 | GROUND |
| B9 | GROUND | ----- | D9 | GROUND |
| B8 | Rx2- | | D8 | Tx2- |
| B7 | Rx2+ | | D7 | Tx2+ |
| B6 | GROUND | ----- | D6 | GROUND |
| B5 | Rx0- | | D5 | Tx0- |
| B4 | Rx0+ | | D4 | Tx0+ |
| B3 | GROUND | ----- | D3 | GROUND |
| B2 | SIDEBAND 1 | | D2 | SIDEBAND 6 |
| B1 | SIDEBAND 3 | | C1 | SIDEBAND 4 |
| A1 | SIDEBAND 7 | | A2 | SIDEBAND 0 |
| A2 | SIDEBAND 0 | | A1 | SIDEBAND 7 |
| A3 | GROUND | ----- | C3 | GROUND |
| A4 | Rx1+ | | C4 | Tx1+ |
| A5 | Rx1- | | C5 | Tx1- |
| A6 | GROUND | ----- | C6 | GROUND |
| A7 | Rx3+ | | C7 | Tx3+ |
| A8 | Rx3- | | C8 | Tx3- |
| A9 | GROUND | ----- | C9 | GROUND |

| | | | | | | | | | | | |
|---------------------------------------|---------------------|------|---------------|------------|-------------------------|-----|-----------------------|---------------|-----------|------------------------|---|
| spec ref | - | dr | S Paulpandian | 2012/08/03 | projection | mm | size | A3 | scale | 2:1 | |
| tolerance std | ISO 406 ISO 1101 | eng | Jason Gu | 2013/05/16 | | ← → | ecn no | ELX-N-14782-1 | rel level | Released | |
| TOLERANCES UNLESS OTHERWISE SPECIFIED | | chr | Kevin Bai | 2013/05/19 | | | | | | | |
| surface | ISO 1302 | appr | Roger Cheng | 2013/05/19 | product family | - | dwg no | | 10120089 | rev | C |
| | linear | 0.X | ±0.3 | | title | | mSAS HD INTERNAL (8i) | | cat. no. | Product - Customer Drw | |
| | | 0.XX | ±0.10 | | CABLE ASSEMBLY- 12 Gb/s | | sheet 3 of 4 | | | | |
| | angular | 0° | ±2° | | www.fci.com | | PDS: Rev :C | | | | |

Copyright FCI.

NOTES:

1. MATERIAL:
 HOUSINGS: MODIFIED POLYPHENYLENE ETHER
 PADDLE CARD: PRINTED CIRCUIT SUBSTRATE
 HEAT SHRINK TUBE: POLYOLEFIN
 EPOXY LOCTITE
2. THIS PRODUCT MEETS THE RESTRICTION OF HAZARDOUS SUBSTANCES IN ELECTRICAL AND ELECTRONIC EQUIPMENT (RoHS) DIRECTIVE (2002/95/EC)
3. THIS DIMENSION IS A FINISHED PRODUCT LENGTH.
4. UNLESS OTHERWISE SPECIFIED ASSEMBLED LENGTH TOLERANCE IS TO BE:
 "DIM L" < 1 METER = ±15mm
 "DIM L" 1 METER TO 10 METERS = ± 2% OF "DIM L"
5. UNLESS OTHERWISE SPECIFIED LABEL POSITION IS TO BE 95mm FROM REAR OF PI CONNECTOR.
 LABEL DETAILS:
 MANUFACTURER CODE OR NAME COUNTRY OF ORIGIN
 CUSTOMER P/N OR FCI P/N
 REVISION
 DATE CODE (YYYY/MM/DD FORMAT) - SERIAL NUMBER

 FONT SHALL BE CLEARLY VISIBLE AND BLACK IN COLOR.
6. ALL CABLE ASSEMBLIES SHALL BE 100% TESTED FOR CONTINUITY AS DEFINED IN WIRING LIST.
7. ALL CABLE ASSEMBLIES SHALL BE 100% HI-POT TESTED BY APPLYING 300V DC FOR A MINIMUM OF 10ms.
8. IMPEDANCE: 100Ω DIFFERENTIAL.
9. OTHER TESTING PERFORMED AS REQUIRED BY PRODUCT SPECIFICATION: GS-12-650.
10. PACKAGE AND LABEL CABLE ASSEMBLIES PER GS-14-1272.
11. A "△" SYMBOL WILL BE NEXT TO ANY DIMENSION, VIEW, OR NOTE WHICH HAS BEEN MODIFIED WITH THE CURRENT DRAWING REVISION. THE CURRENT REVISION WILL BE SHOWN IN THE SYMBOL.
12. "HLF" PRODUCT NUMBERS DESIGNATE THE USE OF HALOGEN FREE RAW CABLE.
13. HALOGEN FREE RAW CABLE CAN BE USED AS A SUBSTITUTE ON NON-HF PRODUCT NUMBERS.
14. PART NUMBER/SUPPLIER SUBSTITUTION IS NOT ALLOWED.
15. THIS PRODUCT CONFORMS TO THE MECHANICAL DIMENSIONING AND ELECTRICAL REQUIREMENTS OF THE SFF-8643 SPECIFICATION.



| | | | | | | | | | | | |
|---------------------|--|-------------|---------------|-------------------------|----------------|----------|-----------|----------|---------------|------------------------|---|
| spec ref - | | dr | S Paulpandian | 2012/08/03 | projection | mm | size | A3 | scale | 2:1 | |
| tolerance std | | eng | Jason Gu | 2013/05/16 | | ← → | ecn no | | ELX-N-14782-1 | | |
| ISO 406 ISO 1101 | | chr | Kevin Bai | 2013/05/19 | | | rel level | | Released | | |
| surface - ✓ | | appr | Roger Cheng | 2013/05/19 | product family | | - | | - | | |
| ISO 1302 | | FCI | | mSAS HD INTERNAL (8i) | | dwg no | | 10120089 | | rev | C |
| linear | | www.fci.com | | CABLE ASSEMBLY- 12 Gb/s | | cat. no. | | - | | Product - Customer Drw | |
| angular | | | | | | | | | | sheet 4 of 4 | |



Copyright FCI.

Данный компонент на территории Российской Федерации

Вы можете приобрести в компании MosChip.

Для оперативного оформления запроса Вам необходимо перейти по данной ссылке:

<http://moschip.ru/get-element>

Вы можете разместить у нас заказ для любого Вашего проекта, будь то серийное производство или разработка единичного прибора.

В нашем ассортименте представлены ведущие мировые производители активных и пассивных электронных компонентов.

Нашей специализацией является поставка электронной компонентной базы двойного назначения, продукции таких производителей как XILINX, Intel (ex.ALTERA), Vicor, Microchip, Texas Instruments, Analog Devices, Mini-Circuits, Amphenol, Glenair.

Сотрудничество с глобальными дистрибьюторами электронных компонентов, предоставляет возможность заказывать и получать с международных складов практически любой перечень компонентов в оптимальные для Вас сроки.

На всех этапах разработки и производства наши партнеры могут получить квалифицированную поддержку опытных инженеров.

Система менеджмента качества компании отвечает требованиям в соответствии с ГОСТ Р ИСО 9001, ГОСТ РВ 0015-002 и ЭС РД 009

Офис по работе с юридическими лицами:

105318, г.Москва, ул.Щербаковская д.3, офис 1107, 1118, ДЦ «Щербаковский»

Телефон: +7 495 668-12-70 (многоканальный)

Факс: +7 495 668-12-70 (доб.304)

E-mail: info@moschip.ru

Skype отдела продаж:

moschip.ru

moschip.ru_4

moschip.ru_6

moschip.ru_9