

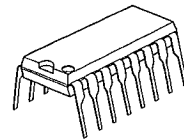
8-BIT HIGH SPEED MULTIPLYING D/A CONVERTER

■ GENERAL DESCRIPTION

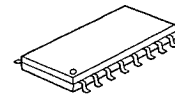
NJMDAC-08C series are 8-bit monolithic multiplying digital to analog converters with very highspeed performance. Open collector output provides dual complementary current outputs increasing versatility in application.

Adjustable threshold logic input voltage through V_{LC} pin, can be connected to various type of digital IC products.

■ PACKAGE OUTLINE



NJMDAC-08DC

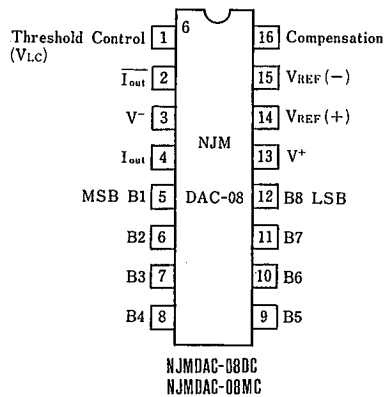


NJMDAC-08MC

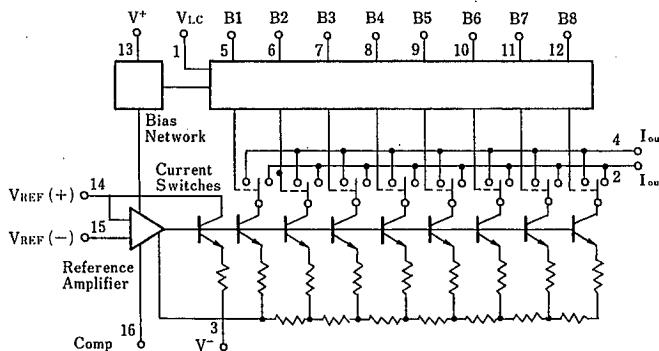
■ FEATURES

- Resolution (8bit)
- Settling Time (85ns)
- Linearity Error ($\pm 0.1\%$ FS MAX (NJM DAC-08H))
- Full Scale Current Temperature Drift (50ppm/ $^{\circ}$ C MAX (NJM DAC-08H/E))
- Wide Operating Voltage ($\pm 5V \sim \pm 18V$)
- Wide Output Voltage Range ($-10V \sim +18V$)
- Wide Range Adjustable Threshold Logic Input ($-10V \sim +13.5V(V^*/V = \pm 15V)$)
- Multiplying operations can be performed
- Package Outline DIP16, DMP16
- Bipolar Technology

■ PIN CONFIGURATION



■ BLOCK DIAGRAM



■ ABSOLUTE MAXIMUM RATINGS

(Ta=25°C)

PARAMETER	SYMBOL	RATINGS	UNIT
Supply voltage	$V^+ - V^-$	36	V
Logic Input Voltage Range	V_i	$V^- \sim V^- + 36$	V
Threshold Control Input Voltage	V_{LC}	$V^- \sim V^+$	V
Analog Current Outputs	I_o	4.2	mA
Reference Input Voltage Range	V_{REF}	$V^- \sim V^+$	V
Reference Input Differential Voltage	$V_{REF(+)} - V_{REF(-)}$	± 18	V
Reference Input Current	I_{REF}	5.0	mA
Power Dissipation	P_D	(DIP16) 500	mW
		(DMP16) 300	mW
Operating Temperature Range	T_{opr}	$-20 \sim +75$	°C
Storage Temperature Range	T_{stg}	$-40 \sim +125$	°C

■ ELECTRICAL CHARACTERISTICS (V⁺=±15V, I_{REF}=2.0mA, T_a=25°C)

PARAMETER	SYMBOL	TEST CONDITION	MIN.	TYP.	MAX.	UNIT
Resolution			8	8	8	Bit
Monotonicity			8	8	8	Bit
Nonlinearity	NL				±0.39	%FS
*1 Settling Time	t _S	To ±1/2LSB, all bits switched ON or OFF		85	150	ns
*1 Propagation Delay	t _{PLH} t _{PHL}	All bits switched		35	60	ns
*1 Full Scale Temperature Coefficient	TC _{IFS}			±10	±80	ppm/°C
Output Voltage Compliance	V _{OC}	ΔI _{FS} <1/2LSB R _{OUT} >20MΩ typ.	-10		+18	V
Full Scale Current	I _{FS4}	V _{REF} =10.000V R ₁₄ , R ₁₅ =5.000kΩ	1.94	1.99	2.04	mA
Full Scale Symmetry	I _{FS5}	I _{FS4} -I _{FS2}		±2.0	±16.0	μA
Zero Scale Current	I _{ZS}			0.2	4.0	μA
Output Current Range	I _{OR1}	V _{REF} =15V, V ⁻ =10V ^{R_{14,15}} _{15,000kΩ}	2.1			mA
	I _{OR2}	V _{REF} =25V, V ⁻ =12V ^{15,000kΩ}	4.2			mA
Logic Input Level	"0"	V _{IL}			0.8	V
	"1"	V _{IH}	2.0			V
Logic Input Current	"0"	I _{IL}		-2.0	-10	μA
	"1"	I _{IH}		0.002	10	μA
Logic Input Swing	V _{IS}		-10		+18	V
Logic Threshold Range	V _{THZ}		-10		+13.5	V
Reference Bias Current	I _{IS}			-1.0	-3.0	μA
*1 Reference Input Slew Rate	dI/dt		4.0	8.0		mA/μs
*2 Power Supply Sensitivity	PSSI _{FS}	V ⁻ =4.5V~18V, I _{REF} =1.0mA		±0.0003	±0.01	%/%
	PSSI _{FS}	V ⁻ =-4.5V~18V, I _{REF} =1.0mA		±0.002	±0.01	
*3 Operating Current	I ⁺	V ⁺ =±5V, I _{REF} =1.0mA		2.3	3.8	mA
	I ⁻	"		-4.3	-5.8	
	I ⁺	V ⁺ =5V, V ⁻ =-15V		2.4	3.8	
	I ⁻	"		-6.4	-7.8	
	I ⁺			2.5	3.8	
	I ⁻			-6.5	-7.8	

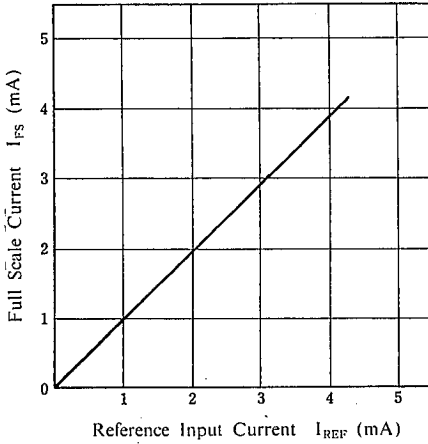
*1 Guaranteed by design

*2 Calculation formula $PSSI_{FS} = \left(\frac{|\Delta I_{FS}|}{I_{FS}} \times 100 \right) \div \left(\frac{18-4.5}{15} \right) \times 100$

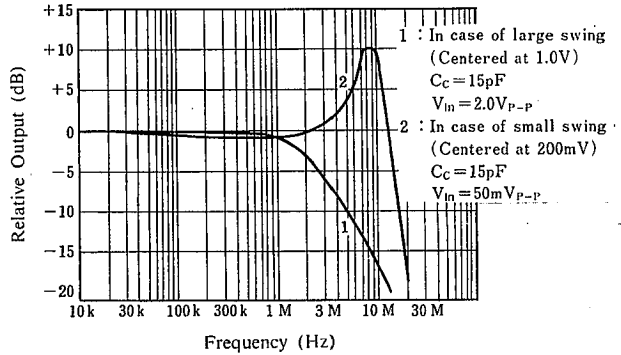
*3 Calculation formula $P_D = I^+ \times (V^+ - V^-) + 2I_{REF} \times |V^-|$

TYPICAL CHARACTERISTICS

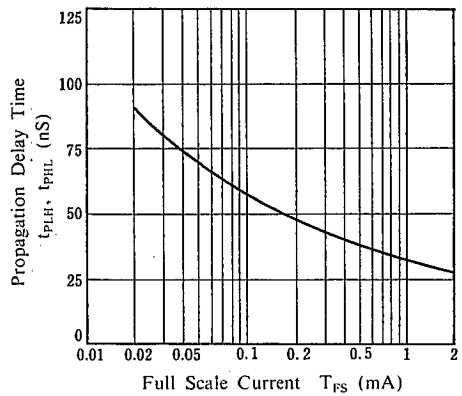
Full Scale Current vs. Reference Input Current
(All bits on, $V^- = -15V$)



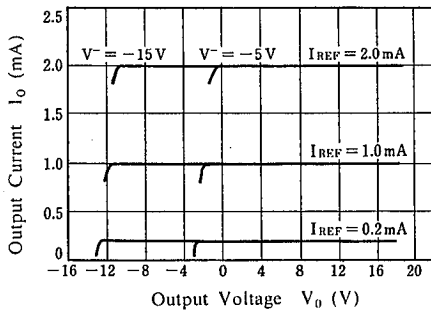
Reference Input Frequency Respons
($R_{14}=R_{15}=1k\Omega$, $R_L=100\Omega$, ALL BITS "ON")



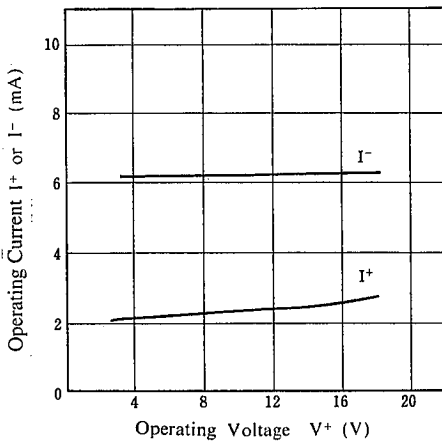
Propagation Delay Time vs. Full Scale Current



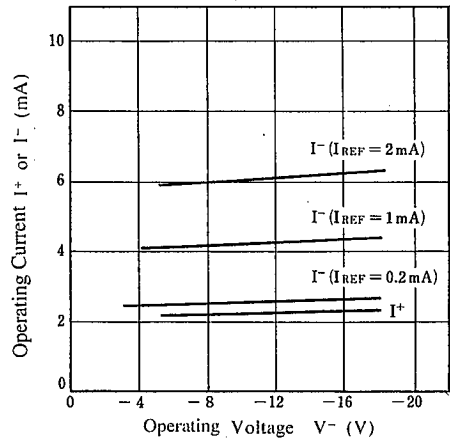
Output Current vs. Output Voltage



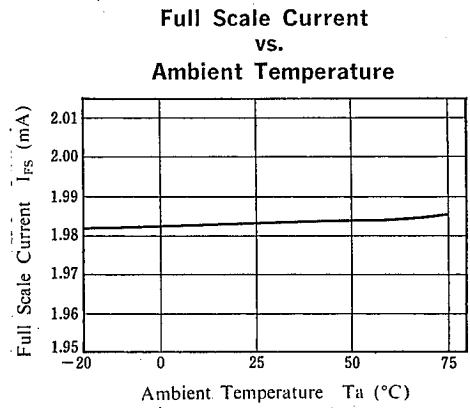
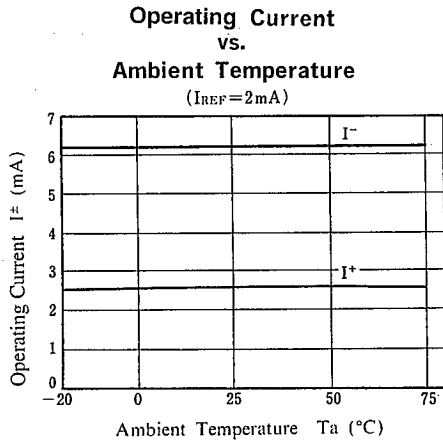
Operating Current vs. Operating Voltage
(ALL BITS "HIGH", OR "LOW")



Operating Current vs. Operating Voltage
(BITS MAY BE "HIGH" OR "LOW")

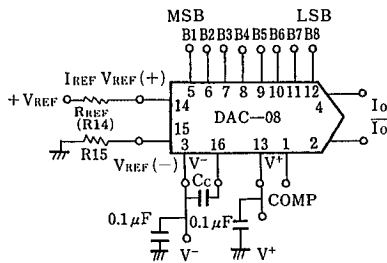


■ TYPICAL CHARACTERISTICS

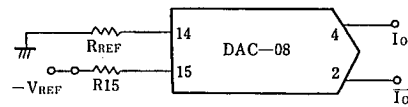


■ TYPICAL APPLICATION

① Connecting Reference Voltage

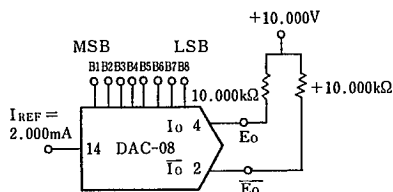


- ① Positive Reference Voltage
Minimum Compensation Capacitance
 $C_C = R_{REF}(k\Omega) \times 15(pF)$



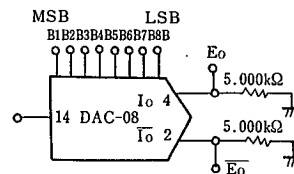
- ② Negative Reference Voltage
Recommended C_C Value
(When V_{REF} is DC)

② Connecting Output Circuit



	B1	B2	B3	B4	B5	B6	B7	B8	E_o	\bar{E}_o
POS FULL RANGE	1	1	1	1	1	1	1	1	- 9.920	÷ 10.000
POS FULL RANGE-LSB	1	1	1	1	1	1	1	0	- 9.840	÷ 9.920
ZERO SCALE ÷ LSB	1	0	0	0	0	0	0	1	- 0.050	÷ 0.160
ZERO SCALE	1	0	0	0	0	0	0	0	0.000	÷ 0.050
ZERO SCALE-LSB	0	1	1	1	1	1	1	1	÷ 0.080	0.000
NEG FULL SCALE ÷ LSB	0	0	0	0	0	0	0	1	÷ 9.920	- 9.840
NEG FULL SCALE	0	0	0	0	0	0	0	0	÷ 10.000	- 9.920

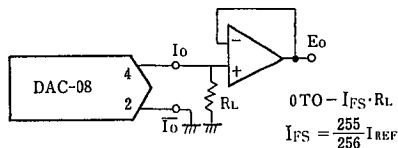
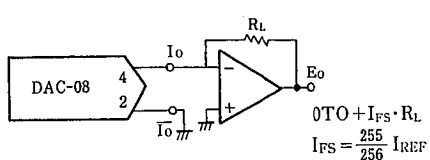
(1) Basic Bipolar Output Operation



	B1	B2	B3	B4	B5	B6	B7	B8	I_{0mA}	I_{0mA}	E_o	\bar{E}_o
FULL RANGE	1	1	1	1	1	1	1	1	1.992	0.000	- 9.960	- 0.000
HALF SCALE ÷ LSB	1	0	0	0	0	0	0	0	1.008	0.984	- 5.040	- 4.920
HALF SCALE	1	0	0	0	0	0	0	0	1.000	0.992	- 5.000	- 4.960
HALF SCALE-LSB	0	1	1	1	1	1	1	1	0.992	1.000	- 4.960	- 5.000
ZERO SCALE ÷ LSB	0	0	0	0	0	0	0	1	0.008	1.984	- 0.040	- 9.920
ZERO SCALE	0	0	0	0	0	0	0	0	0.000	1.992	- 0.000	- 9.950

(2) Basic Unipolar Negative Operation

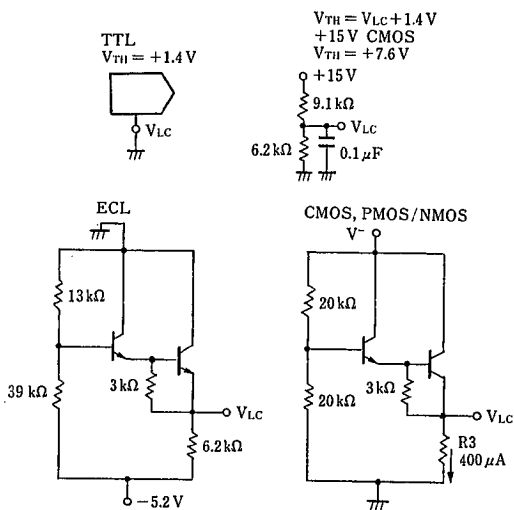
③ Connecting Output Buffer Amp.



(1) Positive Low Impedance Output Operation

(2) Negative Low Impedance Output Operation

④ Connecting to various type logic IC products



V_{TH} temperature compensation is considered in the above circuit

MEMO

[CAUTION]

The specifications on this databook are only given for information, without any guarantee as regards either mistakes or omissions. The application circuits in this databook are described only to show representative usages of the product and not intended for the guarantee or permission of any right including the industrial rights.

Данный компонент на территории Российской Федерации

Вы можете приобрести в компании MosChip.

Для оперативного оформления запроса Вам необходимо перейти по данной ссылке:

<http://moschip.ru/get-element>

Вы можете разместить у нас заказ для любого Вашего проекта, будь то серийное производство или разработка единичного прибора.

В нашем ассортименте представлены ведущие мировые производители активных и пассивных электронных компонентов.

Нашей специализацией является поставка электронной компонентной базы двойного назначения, продукции таких производителей как XILINX, Intel (ex.ALTERA), Vicor, Microchip, Texas Instruments, Analog Devices, Mini-Circuits, Amphenol, Glenair.

Сотрудничество с глобальными дистрибьюторами электронных компонентов, предоставляет возможность заказывать и получать с международных складов практически любой перечень компонентов в оптимальные для Вас сроки.

На всех этапах разработки и производства наши партнеры могут получить квалифицированную поддержку опытных инженеров.

Система менеджмента качества компании отвечает требованиям в соответствии с ГОСТ Р ИСО 9001, ГОСТ РВ 0015-002 и ЭС РД 009

Офис по работе с юридическими лицами:

105318, г.Москва, ул.Щербаковская д.3, офис 1107, 1118, ДЦ «Щербаковский»

Телефон: +7 495 668-12-70 (многоканальный)

Факс: +7 495 668-12-70 (доб.304)

E-mail: info@moschip.ru

Skype отдела продаж:

moschip.ru

moschip.ru_4

moschip.ru_6

moschip.ru_9