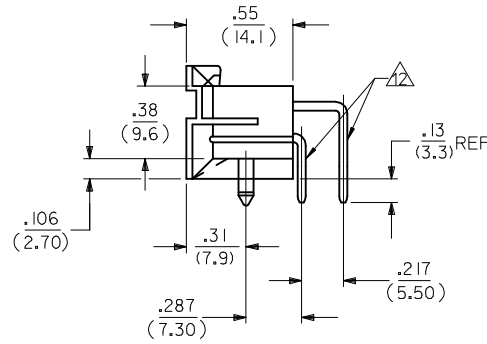
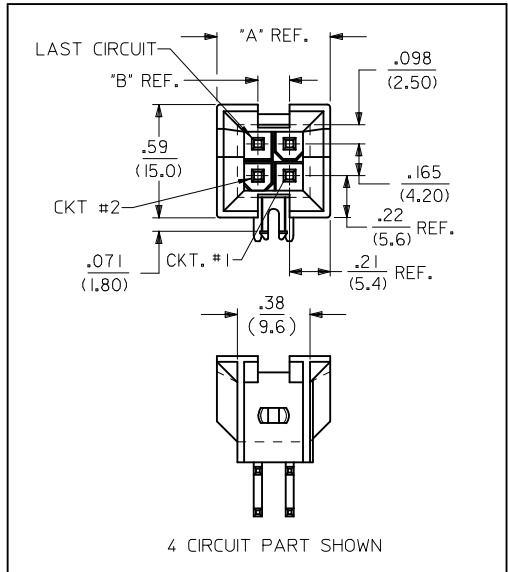


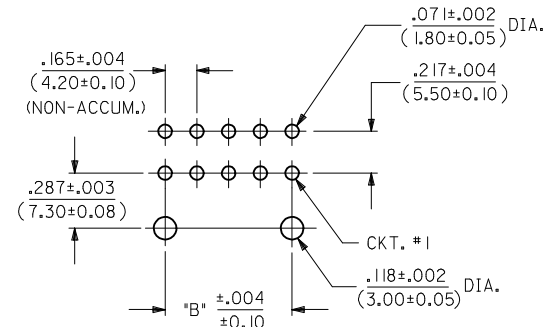
| CIRCUIT SIZE | DIM. "A"       | DIM. "B"         |
|--------------|----------------|------------------|
| 2            | —              | —                |
| 4            | .59<br>(15.0)  | .165<br>(4.20)   |
| 6            | .76<br>(19.2)  | .331<br>(8.40)   |
| 8            | .92<br>(23.4)  | .496<br>(12.60)  |
| 10           | 1.09<br>(27.6) | .661<br>(16.80)  |
| 12           | 1.25<br>(31.8) | .827<br>(21.00)  |
| 14           | 1.42<br>(36.0) | .992<br>(25.20)  |
| 16           | 1.58<br>(40.2) | 1.157<br>(29.40) |
| 18           | 1.75<br>(44.4) | 1.323<br>(33.60) |
| 20           | 1.91<br>(48.6) | 1.488<br>(37.80) |
| 22           | 2.08<br>(52.8) | 1.654<br>(42.00) |
| 24           | 2.24<br>(57.0) | 1.819<br>(46.20) |



A-44499-\*



4 CIRCUIT PCB LAYOUT  
RECOMMENDED HOLE LAYOUT FOR  
.070/(1.78) MAX. THICK P.C. BOARD  
VIEWED FROM COMPONENT SIDE



RECOMMENDED HOLE LAYOUT FOR  
.070/(1.78) MAX. THICK P.C. BOARD  
VIEWED FROM COMPONENT SIDE

- NOTES:
- MATERIAL:  
HOUSING: "A" = NYLON 6/6, UL 94V-2, COLOR: NATURAL  
"B" = NYLON 6/6, UL 94V-0, COLOR: NATURAL  
TERMINALS: BRASS
  - TERMINAL PLATING:  
C = .000030/(.00076) MIN. SELECT GOLD AND  
.000100/(.00254) MIN. MATTE TIN OVER  
.000050/(.00127) MIN. NICKEL OVERALL.  
D = .000100/(.00254) MIN. MATTE TIN OVER  
.000050/(.00127) MIN. NICKEL OVERALL.
  - PRODUCT SPECIFICATION: PS-5556-002
  - PACKAGING: TRAY PACKED PER MOLEX SPECIFICATION PK-42404-002.
  - PART MATES WITH MINI-FIT JR. RECEPTACLE 5557, 42385, 42474 AND 44516. 2 CIRCUIT PARTS MATE WITH 42385, 42474, AND 44516 ONLY.
  - PART ALLOWS FOR UP TO .100/(2.54) MISALIGNMENT WITH MATING RECEPTACLE IN ANY DIRECTION. SEE MATING CONNECTOR DRAWINGS FOR SPECIFIC ALLOWANCES.
  - PART IS NOT DESIGNED FOR CURRENT SHARING.
  - CONNECTOR ASSEMBLIES ARE NOT TO BE MATED OR UNMATED WHILE CIRCUITS ARE LIVE.
  - CIRCUITS SHOWN PROVIDE THE "MAKE-FIRST/BREAK-LAST" FEATURE.
  - PART CONFORMS TO CLASS B OF COSMETIC SPECIFICATION PS-45499-002.
  - DISCOLORATION IN THE BANDOLIER CARRIER AREA OF THE PIN IS INHERENT TO THE PLATING PROCESS AND IS DUE TO THE MASKING EFFECT OF THE CARRIER. THIS DISCOLORATION IS IN A NON-FUNCTIONAL AREA OF THE PIN AND WILL NOT AFFECT THE PERFORMANCE OF THE HEADER ASSEMBLY.
  - FORMING MARKS ARE ACCEPTABLE

| ADD 4499-0066<br>EC NO: UCP2015-3172<br>DRWINGB 2015/02/05<br>CHKD:IBELL 2015/02/05<br>APPR:FSMITH 2015/02/18<br>D17 | QUALITY SYMBOLS<br>▽=0<br>▽=0<br>▽=0 | GENERAL TOLERANCES (UNLESS SPECIFIED)   | DIMENSION STYLE<br>IN/MM    | SCALE<br>2:1 | DESIGN UNITS<br>METRIC   | THIRD ANGLE PROJECTION |       |        |          |       |        |          |        |        |         |        |        |         |   |   |                            |                    |  |                     |
|--|--------------------------------------|---|-----------------------------|--------------|--|------------------------|-------|--------|----------|-------|--------|----------|--------|--------|---------|--------|--------|---------|---|---|----------------------------|--------------------|--|---------------------|
|  |                                      | <table border="1"> <thead> <tr> <th></th> <th>mm</th> <th>INCH</th> </tr> </thead> <tbody> <tr> <td>4 PLACES</td> <td>± .10</td> <td>± .004</td> </tr> <tr> <td>3 PLACES</td> <td>± .15</td> <td>± .005</td> </tr> <tr> <td>2 PLACES</td> <td>± 0.25</td> <td>± .010</td> </tr> <tr> <td>1 PLACE</td> <td>± 0.38</td> <td>± .015</td> </tr> <tr> <td>0 PLACE</td> <td>±</td> <td>±</td> </tr> </tbody> </table> |                             | mm           | INCH   | 4 PLACES               | ± .10 | ± .004 | 3 PLACES | ± .15 | ± .005 | 2 PLACES | ± 0.25 | ± .010 | 1 PLACE | ± 0.38 | ± .015 | 0 PLACE | ± | ± | DRAWN BY<br>AFG 1994/09/13 | DATE<br>1994/09/13 | TITLE<br>SELECTIVELY-LOADED RT ANGLE DUAL ROW HEADER (MATE-FIRST/BREAK-LAST) | SHEET NO.<br>1 OF 3 |
|  |                                      |   | mm                          | INCH         |  |                        |       |        |          |       |        |          |        |        |         |        |        |         |   |   |                            |                    |  |                     |
|  |                                      | 4 PLACES  | ± .10                       | ± .004       |  |                        |       |        |          |       |        |          |        |        |         |        |        |         |   |   |                            |                    |  |                     |
| 3 PLACES   | ± .15                                | ± .005  |                             |              |  |                        |       |        |          |       |        |          |        |        |         |        |        |         |   |   |                            |                    |  |                     |
| 2 PLACES   | ± 0.25                               | ± .010  |                             |              |  |                        |       |        |          |       |        |          |        |        |         |        |        |         |   |   |                            |                    |  |                     |
| 1 PLACE  | ± 0.38                               | ± .015  |                             |              |  |                        |       |        |          |       |        |          |        |        |         |        |        |         |   |   |                            |                    |  |                     |
| 0 PLACE  | ±                                    | ±   |                             |              |  |                        |       |        |          |       |        |          |        |        |         |        |        |         |   |   |                            |                    |  |                     |
| ANGULAR ±1/2°<br>DRAFT WHERE APPLICABLE MUST REMAIN WITHIN DIMENSIONS  | APPROVED BY<br>FSMITH 2011/08/03     | MATERIAL NO.<br>SEE CHART   | DOCUMENT NO.<br>SDA-44499-* | MOLEX        | INCORPORATED AND SHOULD NOT BE USED WITHOUT WRITTEN PERMISSION |                        |       |        |          |       |        |          |        |        |         |        |        |         |   |   |                            |                    |  |                     |
| THIS DRAWING CONTAINS INFORMATION THAT IS PROPRIETARY TO MOLEX.  |                                      |   |                             |              |  |                        |       |        |          |       |        |          |        |        |         |        |        |         |   |   |                            |                    |  |                     |



| ITEM NO.   | CKT. SIZE | CHARACTERISTIC DESCRIPTION | LETTER INDICATES PIN PLATING AND LENGTH REQUIRED AT EACH CIRCUIT LOCATION, SEE NOTE 2 ON SHEET 1. |    |    |    |    |    |    |    |    |    |    |    |    |    |    |    |    |    |    |    |    |    |    |    |
|------------|-----------|----------------------------|---|----|----|----|----|----|----|----|----|----|----|----|----|----|----|----|----|----|----|----|----|----|----|----|
|            |           |                            | 1   | 2  | 3  | 4  | 5  | 6  | 7  | 8  | 9  | 10 | 11 | 12 | 13 | 14 | 15 | 16 | 17 | 18 | 19 | 20 | 21 | 22 | 23 | 24 |
| 44499-0113 | 24        | 24BD                       | DS  | V  | DS | V  | DS | V  | DS | V  | V  | DS | DS | DS | V  | DS | V  | DS | V  | DS | V  | V  | DS | DS | DS |    |
| 44499-0114 | 14        | 14BD                       | DS  | V  | DS | V  | DS | V  | DS | DS | V  | DS | V  | DS | -  | -  | -  | -  | -  | -  | -  | -  | -  | -  | -  |    |
| 44499-0115 | 18        | 18BD                       | DS  | V  | V  | DS | V  | V  | DS | DS | DS | DS | V  | V  | DS | V  | V  | DS | DS | DS | -  | -  | -  | -  | -  |    |
| 44499-0116 | 04        | 04BD                       | DS  | DS | DM | DM | -  | -  | -  | -  | -  | -  | -  | -  | -  | -  | -  | -  | -  | -  | -  | -  | -  | -  |    |    |
| 44499-0117 | 10        | 10BD                       | DM  | DM | DM | DM | DM | DM | DM | DM | DM | DM | -  | -  | -  | -  | -  | -  | -  | -  | -  | -  | -  | -  |    |    |
| 44499-0118 | 14        | 14BD                       | DM  | DM | DM | DM | DM | DM | DM | DM | DM | DM | DM | DM | DM | -  | -  | -  | -  | -  | -  | -  | -  | -  |    |    |
| 44499-0119 | 14        | 14BC                       | CM  | CM | CM | CM | CS | CM | CS | CM | CM | CM | CM | CM | CS | -  | -  | -  | -  | -  | -  | -  | -  | -  |    |    |
| 44499-0120 | 14        | 14BC                       | CM  | CM | CM | CM | CS | CM | CM | CM | CM | CM | CM | CS | CM | CM | -  | -  | -  | -  | -  | -  | -  | -  |    |    |
| 44499-0121 | 10        | 10BC                       | CM  | CS | CS | CS | CS | CM | CS | CS | CS | CS | -  | -  | -  | -  | -  | -  | -  | -  | -  | -  | -  | -  |    |    |
| 44499-0122 | 18        | 18BC                       | CM  | CM | CM | CM | CM | CM | CM | CM | CM | CM | CM | CS | CS | CM | CM | CM | CM | CM | -  | -  | -  | -  | -  |    |
| 44499-0123 | 10        | 10BD                       | DS  | V  | DS | V  | DS | DS | V  | DS | V  | DS | -  | -  | -  | -  | -  | -  | -  | -  | -  | -  | -  | -  |    |    |
| 44499-0124 | 14        | 14BC                       | CM  | CM | CM | CM | CM | CM | CM | CM | CS | CM | CM | CS | CM | CM | -  | -  | -  | -  | -  | -  | -  | -  |    |    |
| 44499-0125 | 14        | 14BC                       | CM  | CM | CM | CM | CS | CM | CM | CM | CS | CM | CM | CM | CM | -  | -  | -  | -  | -  | -  | -  | -  | -  |    |    |
| 44499-0126 | 14        | 14BC                       | CM  | CM | CM | CM | CS | CM | CM | CM | CM | CM | CS | CS | CM | CM | -  | -  | -  | -  | -  | -  | -  | -  |    |    |
| 44499-0127 | 18        | 18BD                       | DM  | DM | DM | DM | DM | DS | DS | DM | DS | DM | DM | DM | DM | DM | DM | DM | DM | -  | -  | -  | -  | -  |    |    |
| 44499-0128 | 14        | 14BC                       | CM  | CM | CM | CS | CS | CM | CS | CM | CM | CM | CS | CM | CM | CS | -  | -  | -  | -  | -  | -  | -  | -  |    |    |
| 44499-0129 | 14        | 14BD                       | DM  | DM | DM | DS | DS | DM | DS | DM | DM | DM | DS | DS | DM | DS | -  | -  | -  | -  | -  | -  | -  | -  |    |    |

CHARACTERISTICS LEGEND:

CIRCUIT SIZE (02-24) **\*\* \* \***

HOUSING MATERIAL **\*\* \* \***

A = NYLON 6/6, U.L. 94V-2, COLOR: NATURAL  
 B = NYLON 6/6, U.L. 94V-0, COLOR: NATURAL

TERMINAL PLATING **\*\* \* \***

C = SELECT GOLD  
 D = MATTE TIN OVERALL  
 \* = MIXED TIN AND GOLD

TERMINAL PLATING AND LENGTH CODE

CS = SELECT GOLD, STANDARD LENGTH  
 DS = MATTE TIN, STANDARD LENGTH  
 CM = SELECT GOLD, MATE-FIRST/BREAK-LAST (LONGER)  
 DM = MATTE TIN, MATE-FIRST/BREAK-LAST (LONGER)  
 V = VOID CIRCUIT

|  |  |                                       |  |   |              |                        |
|--|--|---------------------------------------|--|---|--------------|------------------------|
| <b>SEE SHEET 1</b><br>EC NO: UCP2015-3172<br>DRWNG: 2015/02/05<br>CHKD: J.BELL 2015/02/05<br>APPR: F.S.MITH 2015/02/18 | QUALITY SYMBOLS                                      | GENERAL TOLERANCES (UNLESS SPECIFIED) | DIMENSION STYLE  | SCALE   | DESIGN UNITS | THIRD ANGLE PROJECTION |
|  | ▽=0  | mm INCH                               | IN/MM  | 1:1   | METRIC       |                        |
|  | ▽=0  | 4 PLACES ± --- ± ---                  | DRAWN BY DATE  | TITLE   |              |                        |
|  | ▽=0  | 3 PLACES ± --- ±.010                  | AFG 1994/09/13   | SELECTIVELY-LOADED RT ANGLE DUAL ROW HEADER (MATE-FIRST/BREAK-LAST) |              |                        |
|  | 2 PLACES ±0.25 ±.015                                 | CHECKED BY DATE                       | molex  |   |              |                        |
|  | 1 PLACE ±0.38 ± ---                                  | RJF 1994/09/13                        | SDA-44499-*  |   |              |                        |
|  | 0 PLACE ± ±  | APPROVED BY DATE                      | SHEET NO. 3 OF 3   |   |              |                        |
|  | ANGULAR ±1/2°  | F.S.MITH 2011/08/03                   | INCORPORATED AND SHOULD NOT BE USED WITHOUT WRITTEN PERMISSION |   |              |                        |
|  | DRAFT WHERE APPLICABLE MUST REMAIN WITHIN DIMENSIONS | MATERIAL NO.                          | DOCUMENT NO.   |   |              |                        |
|  |  | SEE CHART                             |  |   |              |                        |

## Данный компонент на территории Российской Федерации

### Вы можете приобрести в компании MosChip.

Для оперативного оформления запроса Вам необходимо перейти по данной ссылке:

<http://moschip.ru/get-element>

Вы можете разместить у нас заказ для любого Вашего проекта, будь то серийное производство или разработка единичного прибора.

В нашем ассортименте представлены ведущие мировые производители активных и пассивных электронных компонентов.

Нашей специализацией является поставка электронной компонентной базы двойного назначения, продукции таких производителей как XILINX, Intel (ex.ALTERA), Vicor, Microchip, Texas Instruments, Analog Devices, Mini-Circuits, Amphenol, Glenair.

Сотрудничество с глобальными дистрибьюторами электронных компонентов, предоставляет возможность заказывать и получать с международных складов практически любой перечень компонентов в оптимальные для Вас сроки.

На всех этапах разработки и производства наши партнеры могут получить квалифицированную поддержку опытных инженеров.

Система менеджмента качества компании отвечает требованиям в соответствии с ГОСТ Р ИСО 9001, ГОСТ РВ 0015-002 и ЭС РД 009

### Офис по работе с юридическими лицами:

105318, г.Москва, ул.Щербаковская д.3, офис 1107, 1118, ДЦ «Щербаковский»

Телефон: +7 495 668-12-70 (многоканальный)

Факс: +7 495 668-12-70 (доб.304)

E-mail: [info@moschip.ru](mailto:info@moschip.ru)

Skype отдела продаж:

moschip.ru

moschip.ru\_4

moschip.ru\_6

moschip.ru\_9