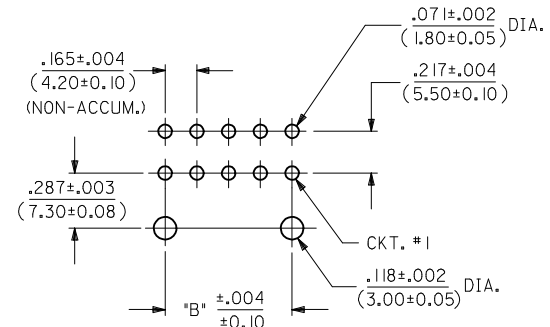


| CIRCUIT SIZE | DIM. "A" | DIM. "B" |
|--------------|----------------|------------------|
| 2 | — | — |
| 4 | .59 (15.0) | .165 (4.20) |
| 6 | .76 (19.2) | .331 (8.40) |
| 8 | .92 (23.4) | .496 (12.60) |
| 10 | 1.09 (27.6) | .661 (16.80) |
| 12 | 1.25 (31.8) | .827 (21.00) |
| 14 | 1.42 (36.0) | .992 (25.20) |
| 16 | 1.58 (40.2) | 1.157 (29.40) |
| 18 | 1.75 (44.4) | 1.323 (33.60) |
| 20 | 1.91 (48.6) | 1.488 (37.80) |
| 22 | 2.08 (52.8) | 1.654 (42.00) |
| 24 | 2.24 (57.0) | 1.819 (46.20) |



A-44499-*

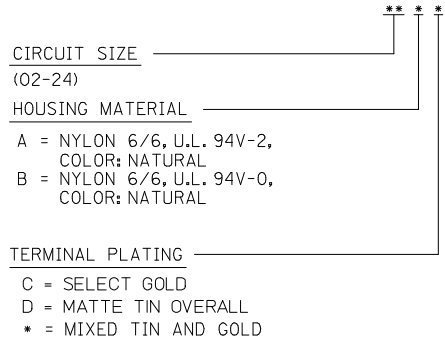


- NOTES:
- MATERIAL:
 HOUSING: "A" = NYLON 6/6, UL 94V-2, COLOR: NATURAL
 "B" = NYLON 6/6, UL 94V-0, COLOR: NATURAL
 TERMINALS: BRASS
 - TERMINAL PLATING:
 C = .000030/(.00076) MIN. SELECT GOLD AND .000100/(.00254) MIN. MATTE TIN OVER
 .000050/(.00127) MIN. NICKEL OVERALL.
 D = .000100/(.00254) MIN. MATTE TIN OVER
 .000050/(.00127) MIN. NICKEL OVERALL.
 - PRODUCT SPECIFICATION: PS-5556-002
 - PACKAGING: TRAY PACKED PER MOLEX SPECIFICATION PK-42404-002.
 - PART MATES WITH MINI-FIT JR. RECEPTACLE 5557, 42385, 42474 AND 44516. 2 CIRCUIT PARTS MATE WITH 42385, 42474, AND 44516 ONLY.
 - PART ALLOWS FOR UP TO .100/(2.54) MISALIGNMENT WITH MATING RECEPTACLE IN ANY DIRECTION. SEE MATING CONNECTOR DRAWINGS FOR SPECIFIC ALLOWANCES.
 - PART IS NOT DESIGNED FOR CURRENT SHARING.
 - CONNECTOR ASSEMBLIES ARE NOT TO BE MATED OR UNMATED WHILE CIRCUITS ARE LIVE.
 - CIRCUITS SHOWN PROVIDE THE "MAKE-FIRST/BREAK-LAST" FEATURE.
 - PART CONFORMS TO CLASS B OF COSMETIC SPECIFICATION PS-45499-002.
 - DISCOLORATION IN THE BANDOLIER CARRIER AREA OF THE PIN IS INHERENT TO THE PLATING PROCESS AND IS DUE TO THE MASKING EFFECT OF THE CARRIER. THIS DISCOLORATION IS IN A NON-FUNCTIONAL AREA OF THE PIN AND WILL NOT AFFECT THE PERFORMANCE OF THE HEADER ASSEMBLY.
 - FORMING MARKS ARE ACCEPTABLE

| ADD 4499-0066 EC NO: UCP2015-3172 DRWINGB 2015/02/05 CHKD:IBELL 2015/02/05 APPR:FSMITH 2015/02/18 | DESCRIPTION | QUALITY SYMBOLS | GENERAL TOLERANCES (UNLESS SPECIFIED) | DIMENSION STYLE | SCALE | DESIGN UNITS | THIRD ANGLE PROJECTION | | | | | | | | | | | | | | | | |
|---|-------------|---|---|--|---|--------------|------------------------|-------|--------|----------|-------|--------|----------|--------|--------|---------|--------|--------|---------|---|---|-------|-----|
| | | $\nabla = 0$ $\nabla = 0$ $\nabla = 0$ | <table border="1"> <thead> <tr> <th></th> <th>mm</th> <th>INCH</th> </tr> </thead> <tbody> <tr><td>4 PLACES</td><td>± .01</td><td>± .005</td></tr> <tr><td>3 PLACES</td><td>± .01</td><td>± .010</td></tr> <tr><td>2 PLACES</td><td>± 0.25</td><td>± .015</td></tr> <tr><td>1 PLACE</td><td>± 0.38</td><td>± .020</td></tr> <tr><td>0 PLACE</td><td>±</td><td>±</td></tr> </tbody> </table> | | mm | INCH | 4 PLACES | ± .01 | ± .005 | 3 PLACES | ± .01 | ± .010 | 2 PLACES | ± 0.25 | ± .015 | 1 PLACE | ± 0.38 | ± .020 | 0 PLACE | ± | ± | IN/MM | 2:1 |
| | mm | INCH | | | | | | | | | | | | | | | | | | | | | |
| 4 PLACES | ± .01 | ± .005 | | | | | | | | | | | | | | | | | | | | | |
| 3 PLACES | ± .01 | ± .010 | | | | | | | | | | | | | | | | | | | | | |
| 2 PLACES | ± 0.25 | ± .015 | | | | | | | | | | | | | | | | | | | | | |
| 1 PLACE | ± 0.38 | ± .020 | | | | | | | | | | | | | | | | | | | | | |
| 0 PLACE | ± | ± | | | | | | | | | | | | | | | | | | | | | |
| D17 | REV | DRAWN BY: AFG DATE: 1994/09/13 CHECKED BY: DATE: 1994/09/13 APPROVED BY: FSMITH DATE: 2011/08/03 MATERIAL NO.: SEE CHART DRAFT WHERE APPLICABLE MUST REMAIN WITHIN DIMENSIONS | DRAWN BY: AFG DATE: 1994/09/13 CHECKED BY: DATE: 1994/09/13 APPROVED BY: FSMITH DATE: 2011/08/03 MATERIAL NO.: SEE CHART DRAFT WHERE APPLICABLE MUST REMAIN WITHIN DIMENSIONS | TITLE: SELECTIVELY-LOADED RT ANGLE DUAL ROW HEADER (MATE-FIRST/BREAK-LAST) DOCUMENT NO.: SDA-44499-* SHEET NO.: 1 OF 3 | THIS DRAWING CONTAINS INFORMATION THAT IS PROPRIETARY TO MOLEX INCORPORATED AND SHOULD NOT BE USED WITHOUT WRITTEN PERMISSION | | | | | | | | | | | | | | | | | | |

| ITEM NO. | CKT. SIZE | CHARACTERISTIC DESCRIPTION | LETTER INDICATES PIN PLATING AND LENGTH REQUIRED AT EACH CIRCUIT LOCATION, SEE NOTE 2 ON SHEET 1. | | | | | | | | | | | | | | | | | | | | | | | |
|------------|-----------|----------------------------|---|----|----|----|----|----|----|----|----|----|----|----|----|----|----|----|----|----|----|----|----|----|----|----|
| | | | 1 | 2 | 3 | 4 | 5 | 6 | 7 | 8 | 9 | 10 | 11 | 12 | 13 | 14 | 15 | 16 | 17 | 18 | 19 | 20 | 21 | 22 | 23 | 24 |
| | | | | | | | | | | | | | | | | | | | | | | | | | | |
| 44499-0005 | 24 | 24BC | CM | CM | CM | CM | CM | CM | CM | CM | CM | CM | CM | CM | CM | CM | CM | CM | CM | CM | CM | CM | CM | CM | CM | |
| 44499-0006 | 04 | 04BC | CS | CM | CM | CS | - | - | - | - | - | - | - | - | - | - | - | - | - | - | - | - | - | - | - | |
| 44499-0027 | 10 | 10BD | DS | DM | DM | DM | DM | DM | DM | DM | DM | DM | DM | DM | DM | DM | DM | DM | DM | DM | DM | DM | DM | DM | DM | |
| 44499-0029 | 24 | 24BD | DM | DM | DM | DM | DM | DM | DM | DM | DM | DM | DM | DM | DM | DM | DM | DM | DM | DM | DM | DM | DM | DM | DM | |
| 44499-0036 | 24 | 24BD | DS | DS | DM | DM | DS | DS | DM | DS | DS | DS | DS | DS | DS | DM | DM | DM | DS | DS | DS | DS | DS | DM | DS | |
| 44499-0041 | 14 | 14AD | DS | DS | DS | V | DS | DS | DS | DM | DS | DS | V | DS | DS | DM | - | - | - | - | - | - | - | - | - | |
| 44499-0042 | 10 | 10BC | CS | CS | CS | CS | CS | CS | CS | CS | CM | - | - | - | - | - | - | - | - | - | - | - | - | - | - | |
| 44499-0049 | 24 | 24AD | DM | DM | DM | DM | DS | DS | DS | DS | DS | DS | DS | DS | DS | DS | DS | DS | DS | DS | DS | DS | DS | DS | DS | |
| 44499-0055 | 10 | 10BC | CS | CM | CM | CM | CM | CM | CM | CM | CM | - | - | - | - | - | - | - | - | - | - | - | - | - | - | |
| 44499-0061 | 06 | 06BD | DM | DM | DM | DM | DM | DM | - | - | - | - | - | - | - | - | - | - | - | - | - | - | - | - | - | |
| 44499-0065 | 24 | 24BC | CS | CM | CM | CM | CM | CM | CM | CM | CM | CM | CM | CM | CM | DS | CM | CM | CM | CM | CM | CM | CM | CM | CS | |
| 44499-0066 | 18 | 18BD | DS | DS | DS | DS | DS | DS | DS | DS | DS | DS | DS | DS | DS | DM | DS | DS | DS | DM | - | - | - | - | - | |
| 44499-0073 | 06 | 06BC | CS | CM | CM | CM | CM | CM | - | - | - | - | - | - | - | - | - | - | - | - | - | - | - | - | - | |
| 44499-0075 | 18 | 18AD | DM | DS | DS | DS | DS | DS | DS | DS | DS | DS | DS | DS | DS | DS | DS | DS | DM | - | - | - | - | - | - | |
| 44499-0078 | 18 | 18BC | CS | CM | CM | CM | CM | CM | CM | CM | CM | CM | CM | CM | CM | CM | CM | CM | CM | - | - | - | - | - | - | |
| 44499-0089 | 10 | 10BC | CS | CS | CM | CS | CS | CM | CM | CM | CM | CS | - | - | - | - | - | - | - | - | - | - | - | - | - | |
| 44499-0090 | 24 | 24BD | DS | DS | DM | DM | DM | DS | DS | DS | DS | DM | DS | DS | DS | DS | DM | DS | DS | DS | DS | DS | DS | DM | DS | |
| 44499-0092 | 04 | 04BD | DS | DM | DM | DS | - | - | - | - | - | - | - | - | - | - | - | - | - | - | - | - | - | - | - | |
| 44499-0093 | 04 | 04BC | CS | CM | CM | CS | - | - | - | - | - | - | - | - | - | - | - | - | - | - | - | - | - | - | - | |
| 44499-0094 | 18 | 18BC | CM | CM | CM | CM | CM | CM | CM | CM | CM | CM | CM | CM | CM | CM | CM | CM | CS | CM | - | - | - | - | - | |
| 44499-0095 | 18 | 18BC | CM | CM | CM | CM | CM | CM | CM | CM | CM | CM | CS | CM | CM | CM | CM | CM | CM | - | - | - | - | - | - | |
| 44499-0096 | 24 | 24AD | DM | DM | V | DM | DM | V | DM | DM | DM | DM | DM | DM | DM | V | DM | DM | V | DM | DM | DM | DM | DM | DM | |
| 44499-0097 | 14 | 14BC | CM | CM | CM | CM | CM | CM | CM | CM | CM | CM | CM | CM | CM | CS | - | - | - | - | - | - | - | - | - | |
| 44499-0099 | 24 | 24BC | CM | CM | CM | CM | CM | CM | CM | CM | CM | CM | CM | CM | CM | CM | CM | CM | CM | CM | CM | CM | CM | CM | CS | |
| 44499-0100 | 24 | 24BC | CS | CM | CM | CM | CM | CM | CM | CM | CM | CM | CM | CM | CM | CS | CM | CS | CM | CS | CM | CS | CM | CS | CS | |
| 44499-0101 | 14 | 14BC | CM | CS | CM | CM | CS | CM | CM | CM | CM | CM | CM | CM | CM | CS | - | - | - | - | - | - | - | - | - | |
| 44499-0102 | 24 | 24BC | CM | CM | CS | CS | CS | CS | CS | CS | CS | CS | CS | CM | CM | CM | CM | CS | CS | CS | CS | CS | CS | CM | CM | |
| 44499-0103 | 24 | 24AD | DM | DS | DS | DS | DS | DS | DS | DS | DS | DS | DS | DS | DS | DS | DS | DS | DS | DS | DS | DS | DS | DS | DM | |
| 44499-0104 | 24 | 24BC | CM | CS | CM | CS | CM | CS | CM | CS | CM | CS | CM | CS | CM | CS | CM | CS | CM | CM | CM | CM | CS | CM | CM | |
| 44499-0105 | 16 | 16BC | CM | CS | CS | CS | CS | CS | CS | CS | CS | CS | CS | CS | CS | CM | CS | - | - | - | - | - | - | - | - | |
| 44499-0106 | 08 | 08BC | CS | CS | CM | CS | CS | CS | CM | CS | - | - | - | - | - | - | - | - | - | - | - | - | - | - | - | |
| 44499-0107 | 24 | 24AD | DM | DM | DM | DM | DM | DM | DM | DM | DM | DM | DM | DM | DM | DM | DM | DM | DM | DM | DM | DM | DM | DM | DM | |
| 44499-0108 | 14 | 14BC | CS | CS | CS | CS | CS | CS | CM | CS | CS | CS | CS | CS | CS | - | - | - | - | - | - | - | - | - | - | |
| 44499-0109 | 24 | 24BC | CM | CS | CS | CM | CS | CS | CS | CS | CS | CS | CS | CM | CS | CS | CM | CS | CS | CS | CS | CS | CS | CS | CS | |
| 44499-0111 | 06 | 06BC | CM | CS | CS | CM | CS | CS | - | - | - | - | - | - | - | - | - | - | - | - | - | - | - | - | - | |
| 44499-0112 | 24 | 24BC | CS | CM | CM | CS | CS | CS | CS | CS | CS | CS | CS | CS | CS | CM | CM | CS | CS | CS | CS | CS | CS | CS | CS | |

CHARACTERISTICS LEGEND:



TERMINAL PLATING AND LENGTH CODE

CS = SELECT GOLD, STANDARD LENGTH
 DS = MATTE TIN, STANDARD LENGTH
 CM = SELECT GOLD, MATE-FIRST/BREAK-LAST (LONGER)
 DM = MATTE TIN, MATE-FIRST/BREAK-LAST (LONGER)
 V = VOID CIRCUIT

QUALITY SYMBOLS

▽ = 0
 ▽ = 0
 ▽ = 0

GENERAL TOLERANCES (UNLESS SPECIFIED)

| | mm | INCH |
|----------|--------|---------|
| 4 PLACES | ± .010 | ± .0004 |
| 3 PLACES | ± .015 | ± .0006 |
| 2 PLACES | ± 0.25 | ± .010 |
| 1 PLACE | ± 0.38 | ± .015 |
| 0 PLACE | ± | ± |

ANGULAR ±1/2°

DRAFT WHERE APPLICABLE MUST REMAIN WITHIN DIMENSIONS

DIMENSION STYLE
IN/MM

DRAWN BY: AFG DATE: 1994/09/13
 CHECKED BY: RJF DATE: 1994/09/13
 APPROVED BY: FSMITH DATE: 2011/08/03

SCALE: 1:1 DESIGN UNITS: METRIC

THIRD ANGLE PROJECTION

TITLE: SELECTIVELY-LOADED RT ANGLE DUAL ROW HEADER (MATE-FIRST/BREAK-LAST)

molex

MATERIAL NO. SEE CHART DOCUMENT NO. SDA-44499-* SHEET NO. 2 OF 3

THIS DRAWING CONTAINS INFORMATION THAT IS PROPRIETARY TO MOLEX INCORPORATED AND SHOULD NOT BE USED WITHOUT WRITTEN PERMISSION

| ITEM NO. | CKT. SIZE | CHARACTERISTIC DESCRIPTION | LETTER INDICATES PIN PLATING AND LENGTH REQUIRED AT EACH CIRCUIT LOCATION, SEE NOTE 2 ON SHEET 1. | | | | | | | | | | | | | | | | | | | | | | | |
|------------|-----------|----------------------------|---|----|----|----|----|----|----|----|----|----|----|----|----|----|----|----|----|----|----|----|----|----|----|----|
| | | | 1 | 2 | 3 | 4 | 5 | 6 | 7 | 8 | 9 | 10 | 11 | 12 | 13 | 14 | 15 | 16 | 17 | 18 | 19 | 20 | 21 | 22 | 23 | 24 |
| 44499-0113 | 24 | 24BD | DS | V | DS | V | DS | V | DS | V | V | DS | DS | DS | V | DS | V | DS | V | DS | V | V | DS | DS | DS | |
| 44499-0114 | 14 | 14BD | DS | V | DS | V | DS | V | DS | DS | V | DS | V | DS | - | - | - | - | - | - | - | - | - | - | - | |
| 44499-0115 | 18 | 18BD | DS | V | V | DS | V | V | DS | DS | DS | DS | V | V | DS | V | V | DS | DS | DS | - | - | - | - | - | |
| 44499-0116 | 04 | 04BD | DS | DS | DM | DM | - | - | - | - | - | - | - | - | - | - | - | - | - | - | - | - | - | - | | |
| 44499-0117 | 10 | 10BD | DM | DM | DM | DM | DM | DM | DM | DM | DM | DM | - | - | - | - | - | - | - | - | - | - | - | - | | |
| 44499-0118 | 14 | 14BD | DM | DM | DM | DM | DM | DM | DM | DM | DM | DM | DM | DM | DM | - | - | - | - | - | - | - | - | - | | |
| 44499-0119 | 14 | 14BC | CM | CM | CM | CM | CS | CM | CS | CM | CM | CM | CM | CM | CS | - | - | - | - | - | - | - | - | - | | |
| 44499-0120 | 14 | 14BC | CM | CM | CM | CM | CS | CM | CM | CM | CM | CM | CM | CS | CM | CM | - | - | - | - | - | - | - | - | | |
| 44499-0121 | 10 | 10BC | CM | CS | CS | CS | CS | CM | CS | CS | CS | CS | - | - | - | - | - | - | - | - | - | - | - | - | | |
| 44499-0122 | 18 | 18BC | CM | CM | CM | CM | CM | CM | CM | CM | CM | CM | CM | CS | CS | CM | CM | CM | CM | CM | - | - | - | - | | |
| 44499-0123 | 10 | 10BD | DS | V | DS | V | DS | DS | V | DS | V | DS | - | - | - | - | - | - | - | - | - | - | - | - | | |
| 44499-0124 | 14 | 14BC | CM | CM | CM | CM | CM | CM | CM | CM | CS | CM | CM | CS | CM | CM | - | - | - | - | - | - | - | - | | |
| 44499-0125 | 14 | 14BC | CM | CM | CM | CM | CS | CM | CM | CM | CS | CM | CM | CM | CM | - | - | - | - | - | - | - | - | - | | |
| 44499-0126 | 14 | 14BC | CM | CM | CM | CM | CS | CM | CM | CM | CM | CM | CS | CS | CM | CM | - | - | - | - | - | - | - | - | | |
| 44499-0127 | 18 | 18BD | DM | DM | DM | DM | DM | DS | DS | DM | DS | DM | DM | DM | DM | DM | DM | DM | DM | - | - | - | - | - | | |
| 44499-0128 | 14 | 14BC | CM | CM | CM | CS | CS | CM | CS | CM | CM | CM | CS | CM | CM | CS | - | - | - | - | - | - | - | - | | |
| 44499-0129 | 14 | 14BD | DM | DM | DM | DS | DS | DM | DS | DM | DM | DM | DS | DS | DM | DS | - | - | - | - | - | - | - | - | | |

CHARACTERISTICS LEGEND:

CIRCUIT SIZE (02-24) **** * ***

HOUSING MATERIAL **** * ***

A = NYLON 6/6, U.L. 94V-2, COLOR: NATURAL
 B = NYLON 6/6, U.L. 94V-0, COLOR: NATURAL

TERMINAL PLATING **** * ***

C = SELECT GOLD
 D = MATTE TIN OVERALL
 * = MIXED TIN AND GOLD

TERMINAL PLATING AND LENGTH CODE

CS = SELECT GOLD, STANDARD LENGTH
 DS = MATTE TIN, STANDARD LENGTH
 CM = SELECT GOLD, MATE-FIRST/BREAK-LAST (LONGER)
 DM = MATTE TIN, MATE-FIRST/BREAK-LAST (LONGER)
 V = VOID CIRCUIT

| | | | | | | |
|--|--|---------------------------------------|--|---|--------------|------------------------|
| SEE SHEET 1 EC NO: UCP2015-3172 DRAWNGB 2015/02/05 CHKD:JBELL 2015/02/05 APPR:FSMITH 2015/02/18 | QUALITY SYMBOLS | GENERAL TOLERANCES (UNLESS SPECIFIED) | DIMENSION STYLE | SCALE | DESIGN UNITS | THIRD ANGLE PROJECTION |
| | ▽=0 | mm INCH | IN/MM | 1:1 | METRIC | ☉ |
| | ▽=0 | 4 PLACES ± --- ± --- | DRAWN BY DATE | TITLE | | |
| | ▽=0 | 3 PLACES ± --- ±.010 | AFG 1994/09/13 | SELECTIVELY-LOADED RT ANGLE DUAL ROW HEADER (MATE-FIRST/BREAK-LAST) | | |
| | 2 PLACES ±0.25 ±.015 | CHECKED BY DATE | molex | | | |
| | 1 PLACE ±0.38 ± --- | RJF 1994/09/13 | SDA-44499-* | | | |
| | 0 PLACE ± ± | APPROVED BY DATE | SHEET NO. 3 OF 3 | | | |
| | ANGULAR ±1/2° | FSMITH 2011/08/03 | INCORPORATED AND SHOULD NOT BE USED WITHOUT WRITTEN PERMISSION | | | |
| | DRAFT WHERE APPLICABLE MUST REMAIN WITHIN DIMENSIONS | MATERIAL NO. | | | | |
| | | SEE CHART | | | | |

Данный компонент на территории Российской Федерации

Вы можете приобрести в компании MosChip.

Для оперативного оформления запроса Вам необходимо перейти по данной ссылке:

<http://moschip.ru/get-element>

Вы можете разместить у нас заказ для любого Вашего проекта, будь то серийное производство или разработка единичного прибора.

В нашем ассортименте представлены ведущие мировые производители активных и пассивных электронных компонентов.

Нашей специализацией является поставка электронной компонентной базы двойного назначения, продукции таких производителей как XILINX, Intel (ex.ALTERA), Vicor, Microchip, Texas Instruments, Analog Devices, Mini-Circuits, Amphenol, Glenair.

Сотрудничество с глобальными дистрибьюторами электронных компонентов, предоставляет возможность заказывать и получать с международных складов практически любой перечень компонентов в оптимальные для Вас сроки.

На всех этапах разработки и производства наши партнеры могут получить квалифицированную поддержку опытных инженеров.

Система менеджмента качества компании отвечает требованиям в соответствии с ГОСТ Р ИСО 9001, ГОСТ РВ 0015-002 и ЭС РД 009

Офис по работе с юридическими лицами:

105318, г.Москва, ул.Щербаковская д.3, офис 1107, 1118, ДЦ «Щербаковский»

Телефон: +7 495 668-12-70 (многоканальный)

Факс: +7 495 668-12-70 (доб.304)

E-mail: info@moschip.ru

Skype отдела продаж:

moschip.ru

moschip.ru_4

moschip.ru_6

moschip.ru_9