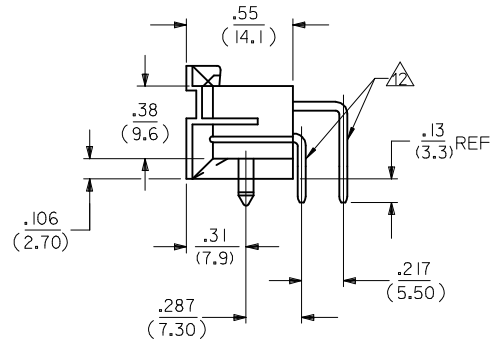
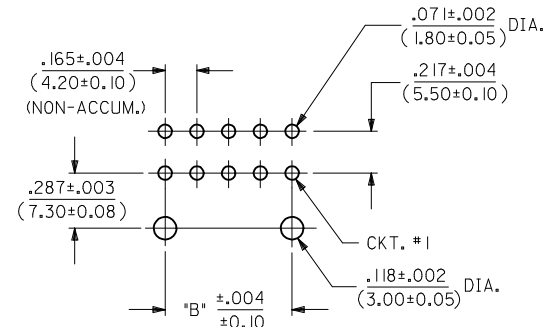
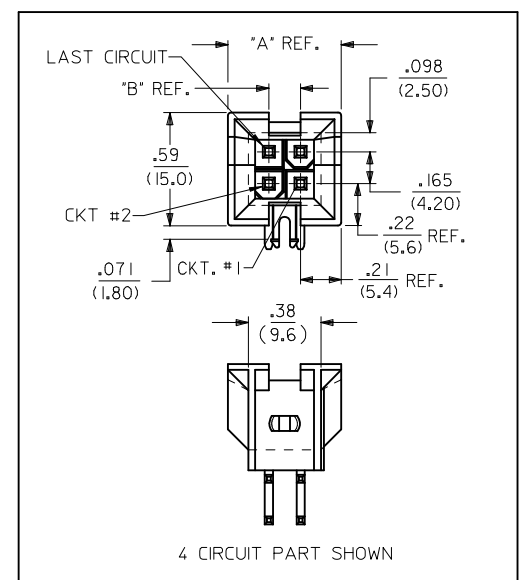


| CIRCUIT SIZE | DIM. "A" | DIM. "B" |
|--------------|----------------|------------------|
| 2 | — | — |
| 4 | .59 (15.0) | .165 (4.20) |
| 6 | .76 (19.2) | .331 (8.40) |
| 8 | .92 (23.4) | .496 (12.60) |
| 10 | 1.09 (27.6) | .661 (16.80) |
| 12 | 1.25 (31.8) | .827 (21.00) |
| 14 | 1.42 (36.0) | .992 (25.20) |
| 16 | 1.58 (40.2) | 1.157 (29.40) |
| 18 | 1.75 (44.4) | 1.323 (33.60) |
| 20 | 1.91 (48.6) | 1.488 (37.80) |
| 22 | 2.08 (52.8) | 1.654 (42.00) |
| 24 | 2.24 (57.0) | 1.819 (46.20) |



A-44499-*



- NOTES:
- MATERIAL:
HOUSING: "A" = NYLON 6/6, UL 94V-2, COLOR: NATURAL
"B" = NYLON 6/6, UL 94V-0, COLOR: NATURAL
TERMINALS: BRASS
 - TERMINAL PLATING:
C = .000030/(.00076) MIN. SELECT GOLD AND .000100/(.00254) MIN. MATTE TIN OVER
.000050/(.00127) MIN. NICKEL OVERALL.
D = .000100/(.00254) MIN. MATTE TIN OVER
.000050/(.00127) MIN. NICKEL OVERALL.
 - PRODUCT SPECIFICATION: PS-5556-002
 - PACKAGING: TRAY PACKED PER MOLEX SPECIFICATION PK-42404-002.
 - PART MATES WITH MINI-FIT JR. RECEPTACLE 5557, 42385, 42474 AND 44516. 2 CIRCUIT PARTS MATE WITH 42385, 42474, AND 44516 ONLY.
 - PART ALLOWS FOR UP TO .100/(2.54) MISALIGNMENT WITH MATING RECEPTACLE IN ANY DIRECTION. SEE MATING CONNECTOR DRAWINGS FOR SPECIFIC ALLOWANCES.
 - PART IS NOT DESIGNED FOR CURRENT SHARING.
 - CONNECTOR ASSEMBLIES ARE NOT TO BE MATED OR UNMATED WHILE CIRCUITS ARE LIVE.
 - CIRCUITS SHOWN PROVIDE THE "MAKE-FIRST/BREAK-LAST" FEATURE.
 - PART CONFORMS TO CLASS B OF COSMETIC SPECIFICATION PS-45499-002.
 - DISCOLORATION IN THE BANDOLIER CARRIER AREA OF THE PIN IS INHERENT TO THE PLATING PROCESS AND IS DUE TO THE MASKING EFFECT OF THE CARRIER. THIS DISCOLORATION IS IN A NON-FUNCTIONAL AREA OF THE PIN AND WILL NOT AFFECT THE PERFORMANCE OF THE HEADER ASSEMBLY.
 - FORMING MARKS ARE ACCEPTABLE

| | | | | | | | |
|---|-------------|-----------------|--|---|-------|--------------|------------------------|
| ADD 4499-0066 EC NO: UCP2015-3172 DRWINGB 2015/02/05 CHKD:IBELL 2015/02/05 APPR:FSMITH 2015/02/18 | DESCRIPTION | QUALITY SYMBOLS | GENERAL TOLERANCES (UNLESS SPECIFIED) | DIMENSION STYLE | SCALE | DESIGN UNITS | THIRD ANGLE PROJECTION |
| | | ▽=0 | mm INCH | IN/MM | 2:1 | METRIC | |
| D17 | REV | ▽=0 | 4 PLACES ± --- ± --- | DRAWN BY DATE | TITLE | DOCUMENT NO. | SHEET NO. |
| | | ▽=0 | 3 PLACES ± --- ± .010 | AFG 1994/09/13 | | | |
| | | ▽=0 | 2 PLACES ± 0.25 ± .015 | CHECKED BY DATE | | | |
| | | ▽=0 | 1 PLACE ± 0.38 ± --- | RJF 1994/09/13 | | | |
| | | | 0 PLACE ± ± | APPROVED BY DATE | | | |
| | | | ANGULAR ±1/2° | FSMITH 2011/08/03 | | | |
| | | | DRAFT WHERE APPLICABLE MUST REMAIN WITHIN DIMENSIONS | MATERIAL NO. | | | |
| | | | | SEE CHART | | | |
| | | | | SIZE C | | | |
| | | | | THIS DRAWING CONTAINS INFORMATION THAT IS PROPRIETARY TO MOLEX INCORPORATED AND SHOULD NOT BE USED WITHOUT WRITTEN PERMISSION | | | |

| ITEM NO. | CKT. SIZE | CHARACTERISTIC DESCRIPTION | LETTER INDICATES PIN PLATING AND LENGTH REQUIRED AT EACH CIRCUIT LOCATION, SEE NOTE 2 ON SHEET 1. | | | | | | | | | | | | | | | | | | | | | | | |
|------------|-----------|----------------------------|---|----|----|----|----|----|----|----|----|----|----|----|----|----|----|----|----|----|----|----|----|----|----|----|
| | | | 1 | 2 | 3 | 4 | 5 | 6 | 7 | 8 | 9 | 10 | 11 | 12 | 13 | 14 | 15 | 16 | 17 | 18 | 19 | 20 | 21 | 22 | 23 | 24 |
| 44499-0113 | 24 | 24BD | DS | V | DS | V | DS | V | DS | V | V | DS | DS | DS | V | DS | V | DS | V | DS | V | V | DS | DS | DS | |
| 44499-0114 | 14 | 14BD | DS | V | DS | V | DS | V | DS | DS | V | DS | V | DS | - | - | - | - | - | - | - | - | - | - | - | |
| 44499-0115 | 18 | 18BD | DS | V | V | DS | V | V | DS | DS | DS | DS | V | V | DS | V | V | DS | DS | DS | - | - | - | - | - | |
| 44499-0116 | 04 | 04BD | DS | DS | DM | DM | - | - | - | - | - | - | - | - | - | - | - | - | - | - | - | - | - | - | | |
| 44499-0117 | 10 | 10BD | DM | DM | DM | DM | DM | DM | DM | DM | DM | DM | - | - | - | - | - | - | - | - | - | - | - | - | | |
| 44499-0118 | 14 | 14BD | DM | DM | DM | DM | DM | DM | DM | DM | DM | DM | DM | DM | DM | - | - | - | - | - | - | - | - | - | | |
| 44499-0119 | 14 | 14BC | CM | CM | CM | CM | CS | CM | CS | CM | CM | CM | CM | CM | CS | - | - | - | - | - | - | - | - | - | | |
| 44499-0120 | 14 | 14BC | CM | CM | CM | CM | CS | CM | CM | CM | CM | CM | CM | CS | CM | CM | - | - | - | - | - | - | - | - | | |
| 44499-0121 | 10 | 10BC | CM | CS | CS | CS | CS | CM | CS | CS | CS | CS | - | - | - | - | - | - | - | - | - | - | - | - | | |
| 44499-0122 | 18 | 18BC | CM | CM | CM | CM | CM | CM | CM | CM | CM | CM | CM | CS | CS | CM | CM | CM | CM | CM | - | - | - | - | - | |
| 44499-0123 | 10 | 10BD | DS | V | DS | V | DS | DS | V | DS | V | DS | - | - | - | - | - | - | - | - | - | - | - | - | | |
| 44499-0124 | 14 | 14BC | CM | CM | CM | CM | CM | CM | CM | CM | CS | CM | CM | CS | CM | CM | - | - | - | - | - | - | - | - | | |
| 44499-0125 | 14 | 14BC | CM | CM | CM | CM | CS | CM | CM | CM | CS | CM | CM | CM | CM | - | - | - | - | - | - | - | - | - | | |
| 44499-0126 | 14 | 14BC | CM | CM | CM | CM | CS | CM | CM | CM | CM | CM | CS | CS | CM | CM | - | - | - | - | - | - | - | - | | |
| 44499-0127 | 18 | 18BD | DM | DM | DM | DM | DM | DS | DS | DM | DS | DM | DM | DM | DM | DM | DM | DM | DM | - | - | - | - | - | | |
| 44499-0128 | 14 | 14BC | CM | CM | CM | CS | CS | CM | CS | CM | CM | CM | CS | CM | CM | CS | - | - | - | - | - | - | - | - | | |
| 44499-0129 | 14 | 14BD | DM | DM | DM | DS | DS | DM | DS | DM | DM | DM | DS | DS | DM | DS | - | - | - | - | - | - | - | - | | |

CHARACTERISTICS LEGEND:

CIRCUIT SIZE (02-24) **** * ***

HOUSING MATERIAL **** * ***

A = NYLON 6/6, U.L. 94V-2, COLOR: NATURAL
 B = NYLON 6/6, U.L. 94V-0, COLOR: NATURAL

TERMINAL PLATING **** * ***

C = SELECT GOLD
 D = MATTE TIN OVERALL
 * = MIXED TIN AND GOLD

TERMINAL PLATING AND LENGTH CODE
 CS = SELECT GOLD, STANDARD LENGTH
 DS = MATTE TIN, STANDARD LENGTH
 CM = SELECT GOLD, MATE-FIRST/BREAK-LAST (LONGER)
 DM = MATTE TIN, MATE-FIRST/BREAK-LAST (LONGER)
 V = VOID CIRCUIT

| | | | | | | |
|---|--|---------------------------------------|--|---|--------------|------------------------|
| SEE SHEET 1 EC NO: UCP2015-3172 DRWNG: 2015/02/05 CHKD: J.BELL 2015/02/05 APPR: F.SMITH 2015/02/18 REV: | QUALITY SYMBOLS | GENERAL TOLERANCES (UNLESS SPECIFIED) | DIMENSION STYLE | SCALE | DESIGN UNITS | THIRD ANGLE PROJECTION |
| | ▽=0 | mm INCH | IN/MM | 1:1 | METRIC | ☉ |
| | ▽=0 | 4 PLACES ± --- ± --- | DRAWN BY DATE | TITLE | | |
| | ▽=0 | 3 PLACES ± --- ±.010 | AFG 1994/09/13 | SELECTIVELY-LOADED RT ANGLE DUAL ROW HEADER (MATE-FIRST/BREAK-LAST) | | |
| | 2 PLACES ±0.25 ±.015 | CHECKED BY DATE | molex | | | |
| | 1 PLACE ±0.38 ± --- | RJF 1994/09/13 | SDA-44499-* | | | |
| | 0 PLACE ± ± | APPROVED BY DATE | SHEET NO. 3 OF 3 | | | |
| | ANGULAR ±1/2° | F.SMITH 2011/08/03 | INCORPORATED AND SHOULD NOT BE USED WITHOUT WRITTEN PERMISSION | | | |
| | DRAFT WHERE APPLICABLE MUST REMAIN WITHIN DIMENSIONS | MATERIAL NO. | DOCUMENT NO. | | | |
| | | SEE CHART | | | | |

Данный компонент на территории Российской Федерации

Вы можете приобрести в компании MosChip.

Для оперативного оформления запроса Вам необходимо перейти по данной ссылке:

<http://moschip.ru/get-element>

Вы можете разместить у нас заказ для любого Вашего проекта, будь то серийное производство или разработка единичного прибора.

В нашем ассортименте представлены ведущие мировые производители активных и пассивных электронных компонентов.

Нашей специализацией является поставка электронной компонентной базы двойного назначения, продукции таких производителей как XILINX, Intel (ex.ALTERA), Vicor, Microchip, Texas Instruments, Analog Devices, Mini-Circuits, Amphenol, Glenair.

Сотрудничество с глобальными дистрибьюторами электронных компонентов, предоставляет возможность заказывать и получать с международных складов практически любой перечень компонентов в оптимальные для Вас сроки.

На всех этапах разработки и производства наши партнеры могут получить квалифицированную поддержку опытных инженеров.

Система менеджмента качества компании отвечает требованиям в соответствии с ГОСТ Р ИСО 9001, ГОСТ РВ 0015-002 и ЭС РД 009

Офис по работе с юридическими лицами:

105318, г.Москва, ул.Щербаковская д.3, офис 1107, 1118, ДЦ «Щербаковский»

Телефон: +7 495 668-12-70 (многоканальный)

Факс: +7 495 668-12-70 (доб.304)

E-mail: info@moschip.ru

Skype отдела продаж:

moschip.ru

moschip.ru_4

moschip.ru_6

moschip.ru_9