



## Main

|                                       |  |
|---------------------------------------|--|
| Range of product                      | Preventa Safety detection  |
| Product or component type             | Safety light curtain type 2  |
| Device short name                     | XUSL2E   |
| Output type                           | 2 safety outputs OSSD solid-state PNP (integrated arc suppression) |
| Product specific application          | For hand protection  |
| Minimum object diameter for detection | 1.18 in (30 mm)  |
| [Sn] nominal sensing distance         | 0...12 m by cabling<br>0...4 m by cabling                          |
| Height protected                      | 24.02 in (610 mm)  |
| Number of beams                       | 31   |
| Type of start                         | Automatic<br>Manual  |
| Control type                          | Selected by wiring   |

## Complementary

|                                |  |
|--------------------------------|--|
| Detection system               | Transmitter-receiver system  |
| Response time                  | 10 ms  |
| Kit composition                | Adjustable mounting bracket(s)<br>1 receiver(s)<br>1 transmitter(s)<br>1 user guide with certificate of conformity on CD-ROM |
| [EAA] effective aperture angle | +/- 5 ° at 3 m   |
| Emission                       | IR LED ( $\lambda = 950$ nm)   |
| [Us] rated supply voltage      | 24 V DC (+/- 20 %)   |
| Supply                         | Power supply must meet requirements of IEC 61496-1<br>Power supply must meet requirements of IEC 60204-1                     |
| [Ie] rated operational current | 2 A  |
| Current consumption            | 42 mA no-load (transmitter)<br>83 mA no-load (receiver)<br>42 mA (transmitter)<br>900 mA with maximum load (receiver)        |
| Output current limits          | 0.4 A for safety outputs OSSD  |
| Output voltage                 | 24 V   |
| Output circuit type            | DC   |
| Voltage drop                   | $\leq 0.5$ V   |
| Local signalling               | 1 multi-colour LED (transmitter)<br>2 dual colour LEDs (receiver)  |
| Electrical connection          | 1 male connector M12 5 pins (transmitter)<br>1 male connector M12 8 pins (receiver)  |
| Function available             | Test<br>Muting through external safety module XPSLCMUT1160<br>LED display of operating modes and faults                      |
| Marking                        | CE   |
| Material                       | Casing : aluminium<br>Front panel: polycarbonate<br>End caps: polypropylene  |
| Housing colour                 | RAL 3000: red  |
| Fixing mode                    | By fixing brackets   |
| Product weight                 | 2.65 lb(US) (1.2 kg)   |

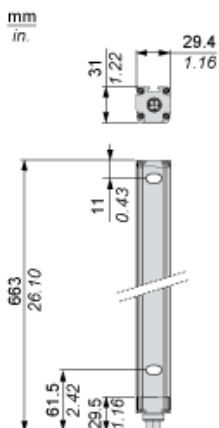
## Environment

|                                       |  |
|---------------------------------------|--|
| directives                            | 89/336/EEC - electromagnetic compatibility<br>2002/96/EC - WEEE directive<br>2002/95/EC - RoHS directive<br>98/37/EEC - machinery<br>89/655/EEC - work equipment                       |
| product certifications                | CE<br>CULus<br>TÜV   |
| safety level                          | Type 2 conforming to IEC 61496-1<br>Category 2 conforming to EN/ISO 13849-1<br>SIL 1 conforming to IEC 61508<br>SILCL 1 conforming to IEC 62061<br>PL = c conforming to EN/ISO 13849-1 |
| environmental characteristic          | Resistance to light disturbance conforming to EN/IEC 61496-2   |
| service life                          | 20 yr  |
| safety reliability data               | PFHd = 3.92E-8 1/h conforming to IEC 61508   |
| ambient air temperature for operation | -22...131 °F (-30...55 °C)<br>14...131 °F  |
| ambient air temperature for storage   | -31...158 °F (-35...70 °C)<br>-13...158 °F   |
| relative humidity                     | 0...95 % without condensation  |
| IP degree of protection               | IP65<br>IP67   |
| shock resistance                      | 10 gn 16 ms conforming to IEC 61496-1  |
| vibration resistance                  |  |

## Offer Sustainability

|  |  |
|--|--|
| Green Premium product  | Green Premium product  |
| Compliant - since 1425 - Schneider Electric declaration of conformity  | Compliant - since 1425 - Schneider Electric declaration of conformity  |
| Reference not containing SVHC above the threshold  | Reference not containing SVHC above the threshold  |
| Available  | Available  |
| Available  | Available  |
| WARNING: This product can expose you to chemicals including:   | WARNING: This product can expose you to chemicals including:   |
| Diisononyl phthalate (DINP), which is known to the State of California to cause cancer, and                                | Diisononyl phthalate (DINP), which is known to the State of California to cause cancer, and                                |
| Di-isodecyl phthalate (DIDP), which is known to the State of California to cause birth defects or other reproductive harm. | Di-isodecyl phthalate (DIDP), which is known to the State of California to cause birth defects or other reproductive harm. |
| For more information go to <a href="http://www.p65warnings.ca.gov">www.p65warnings.ca.gov</a>                              | For more information go to <a href="http://www.p65warnings.ca.gov">www.p65warnings.ca.gov</a>                              |

## Dimensions



## Brackets Dimensions



## Mounting and Clearance



- (1) Insert
- (2) Bracket
- (3) Washer
- (4) Spring washer
- (5) Nut

## Wiring Diagrams

### Transmitter Connections



- (1) +24 Vdc
- (2) Configuration\_0
- (3) 0 Vdc
- (4) Configuration\_1
- (5) FE

Transmitter configurations and operating modes

|                         | High range option | Low range option | Transmitter in Test state | Forbidden wiring |
|-------------------------|-------------------|------------------|---------------------------|------------------|
| Pin 4 : Configuration_1 | 24 V              | 0 V              | 0 V                       | 24 V             |
| Pin 2 : Configuration_0 | 0 V               | 24 V             | 0 V                       | 24 V             |

## Receiver Connections



- (1) OSSD1
- (2) + 24 V
- (3) OSSD2
- (4) Configuration\_A
- (5) K1\_K2 Feedback/Restart
- (6) Configuration\_B
- (7) 0 Vdc
- (8) FE

## Receiver Configurations and Operating Modes

### Automatic Start/Restart

Without External Device Monitoring (EDM) feedback loop

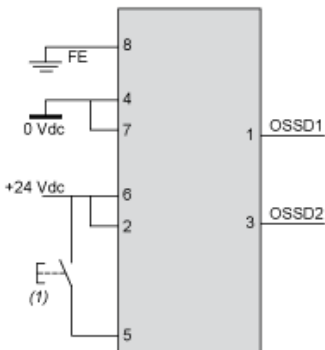


With External Device Monitoring (EDM) feedback loop



### Manual Start/Restart

Without External Device Monitoring (EDM) feedback loop



- (1) Restart

With External Device Monitoring (EDM) feedback loop



(1) Restart

## Connecting to a Safety Interface

1 : Click on Download & Documents

2 : Click on Application solutions

To have all connection schematics concerning our safety module, select "download and document" and download the file "Safety light curtains association with safety interfaces"

## Данный компонент на территории Российской Федерации

### Вы можете приобрести в компании MosChip.

Для оперативного оформления запроса Вам необходимо перейти по данной ссылке:

<http://moschip.ru/get-element>

Вы можете разместить у нас заказ для любого Вашего проекта, будь то серийное производство или разработка единичного прибора.

В нашем ассортименте представлены ведущие мировые производители активных и пассивных электронных компонентов.

Нашей специализацией является поставка электронной компонентной базы двойного назначения, продукции таких производителей как XILINX, Intel (ex.ALTERA), Vicor, Microchip, Texas Instruments, Analog Devices, Mini-Circuits, Amphenol, Glenair.

Сотрудничество с глобальными дистрибьюторами электронных компонентов, предоставляет возможность заказывать и получать с международных складов практически любой перечень компонентов в оптимальные для Вас сроки.

На всех этапах разработки и производства наши партнеры могут получить квалифицированную поддержку опытных инженеров.

Система менеджмента качества компании отвечает требованиям в соответствии с ГОСТ Р ИСО 9001, ГОСТ РВ 0015-002 и ЭС РД 009

### Офис по работе с юридическими лицами:

105318, г.Москва, ул.Щербаковская д.3, офис 1107, 1118, ДЦ «Щербаковский»

Телефон: +7 495 668-12-70 (многоканальный)

Факс: +7 495 668-12-70 (доб.304)

E-mail: [info@moschip.ru](mailto:info@moschip.ru)

Skype отдела продаж:

moschip.ru

moschip.ru\_4

moschip.ru\_6

moschip.ru\_9