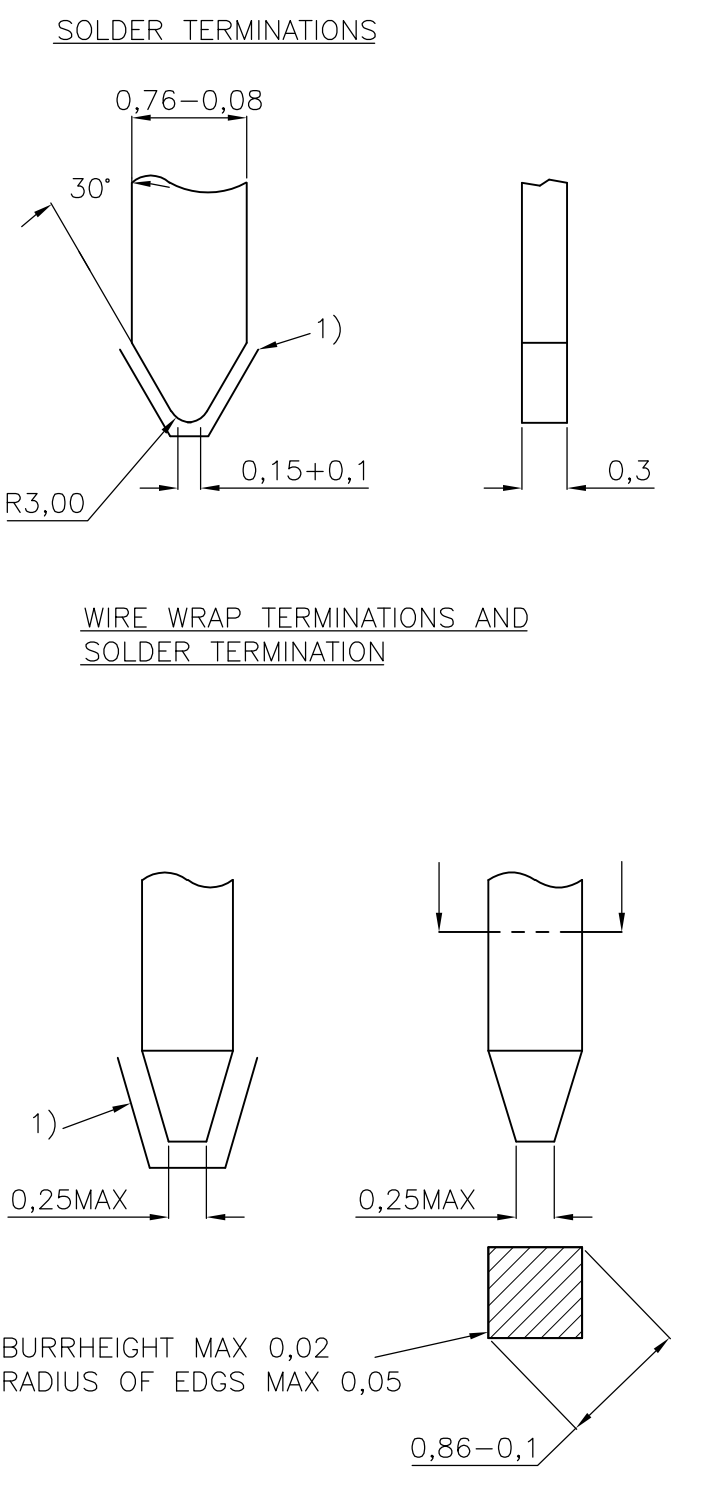
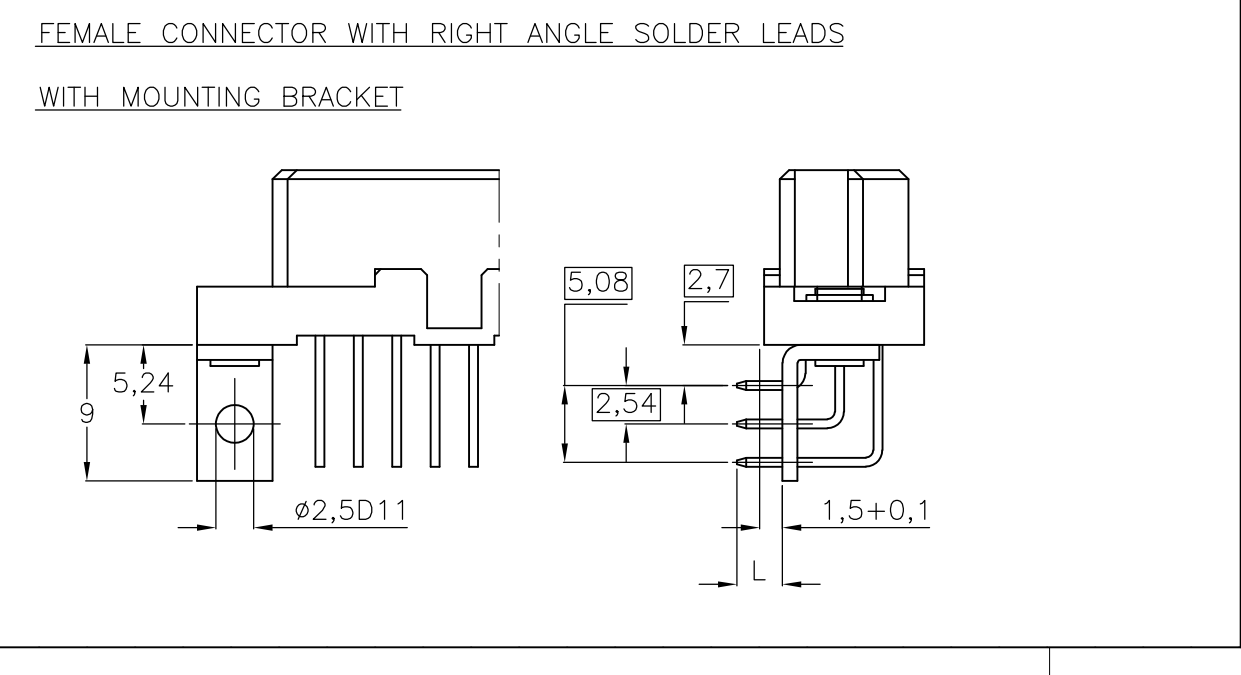
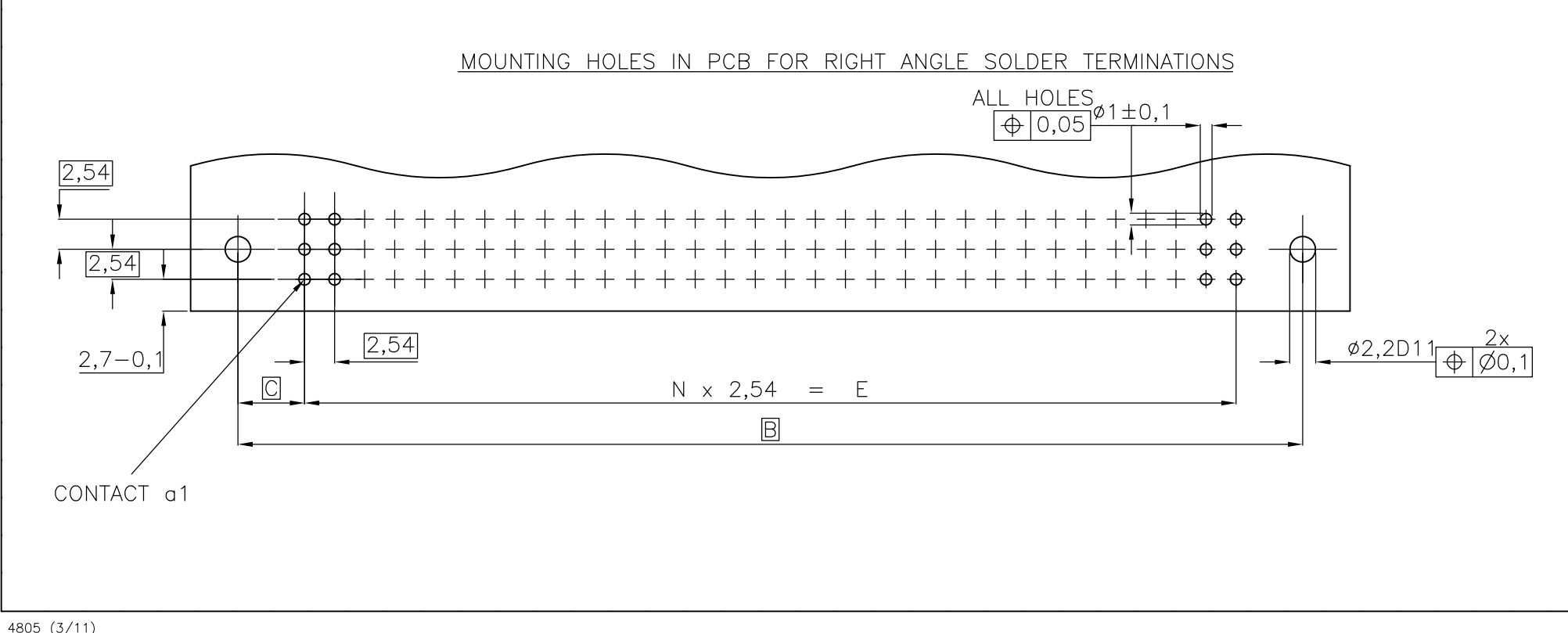
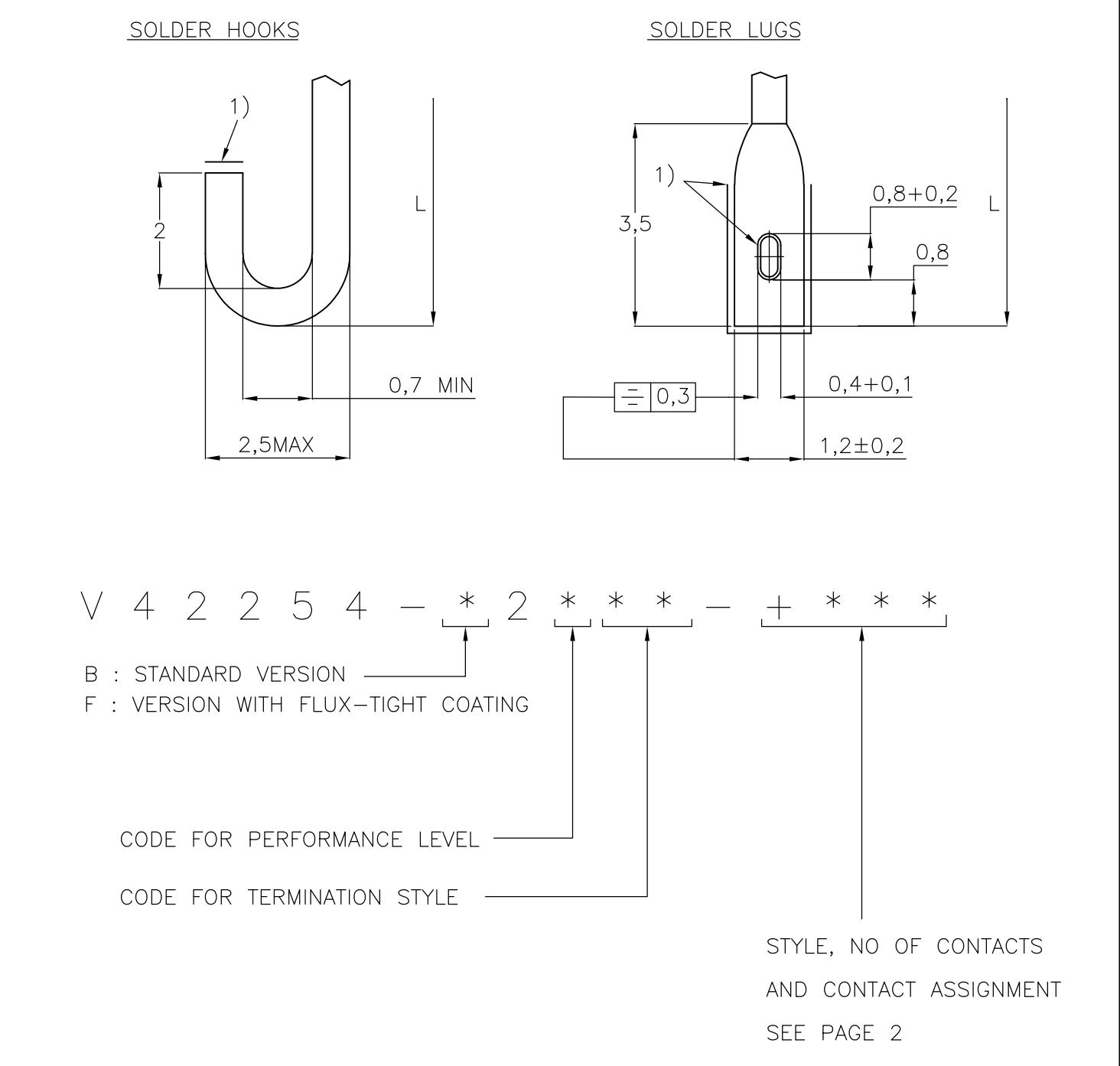
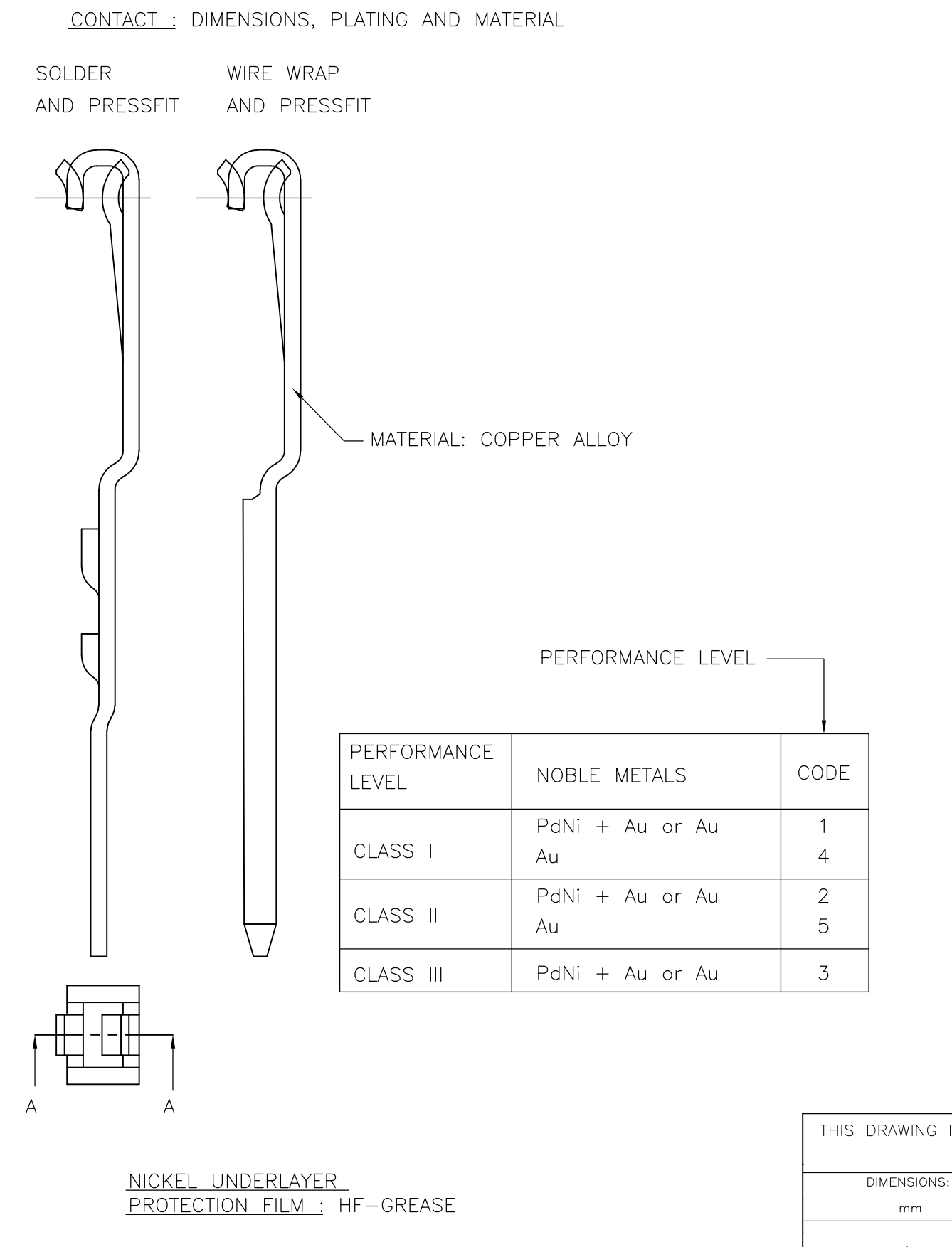
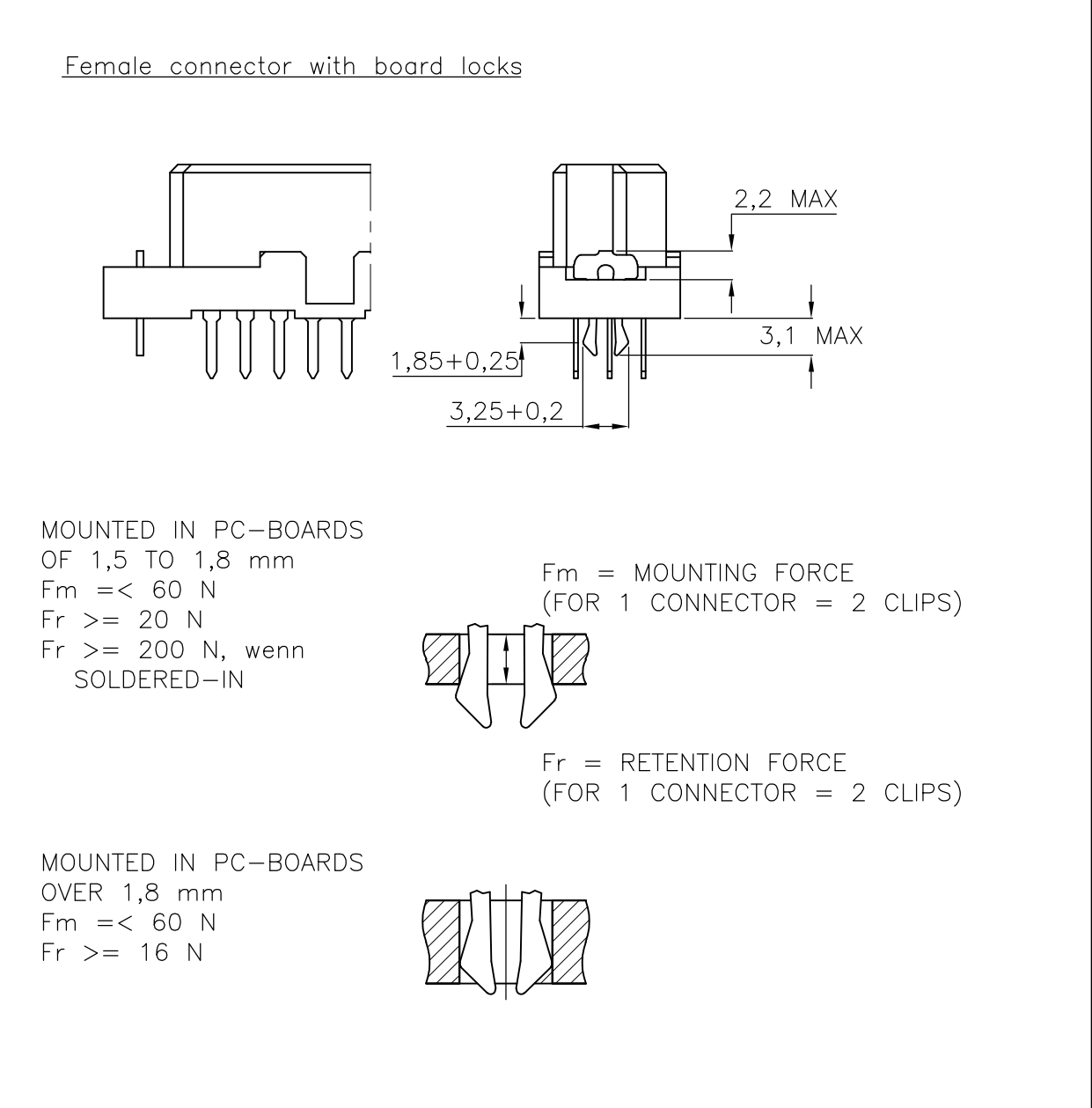
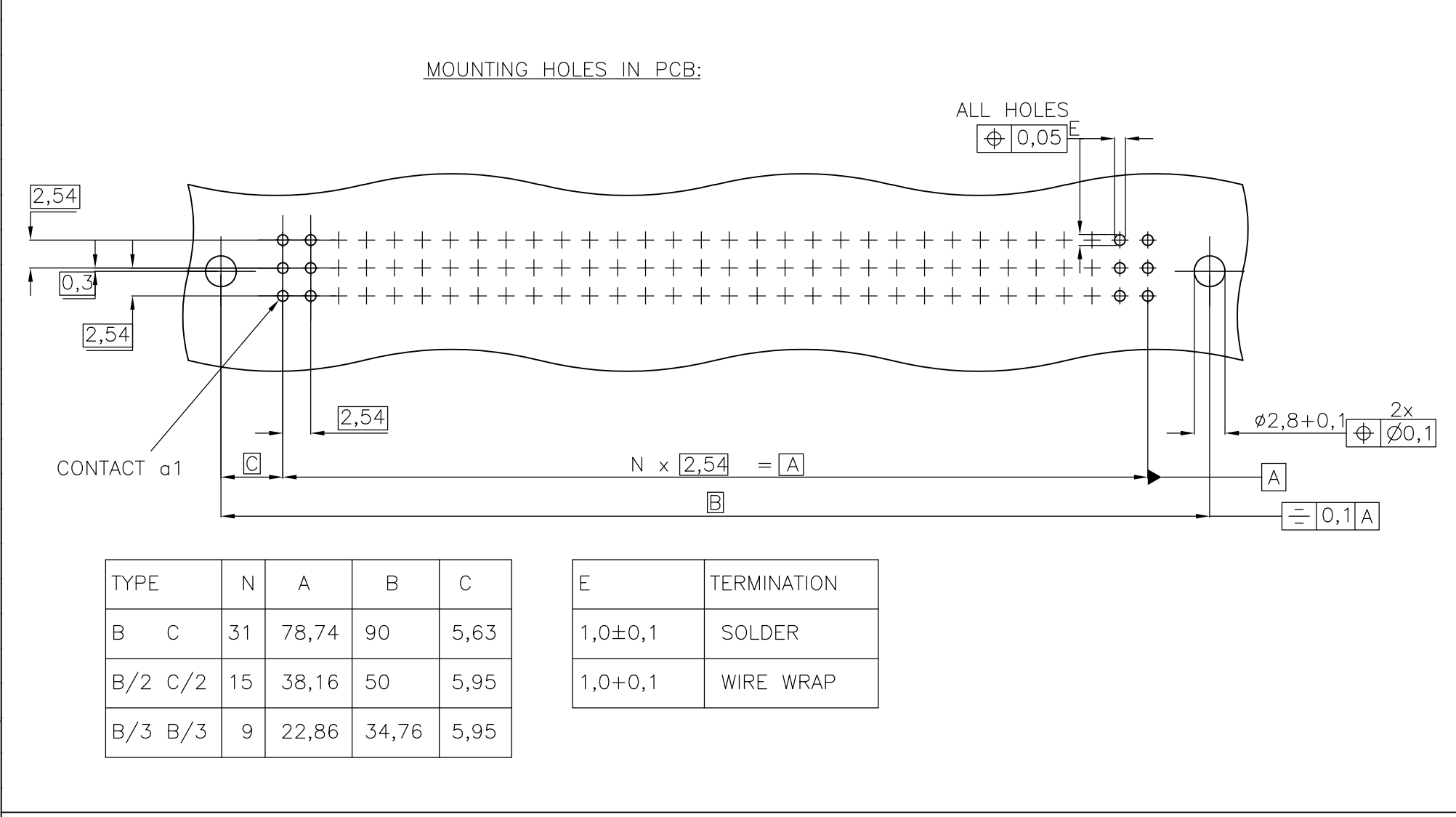


LOC	DIST	REVISIONS			
F	LTR	DESCRIPTION	DATE	DWN	APVD
B11	REV PER ECO-12-006572		14JAN2013	BC	RP



TERMINATION STYLES		L	CODE
	SOLDER	2,9±0,3 3,7±0,3 4,5±0,3 6±0,3	01 05 02 03
	SOLDER	7,3±0,3	04
	WIRE WRAP	13±0,5	40
	SOLDER HOOKS	5,5±0,3 10±0,5	30
	SOLDER LUGS	5,5±0,3 10 -0,5	35
	SOLDER RIGHT ANGLE	1,55 -0,4	00
	SOLDER RIGHT ANGLE WITH MOUNTING BRACKET	3 -0,4	10
	TERMINATION WITH SN	13±0,5	60
		17±0,5	61
		4±0,5	63
		13±0,5	66
		17±0,5	67
		6±0,5 6±0,5	69 70



THIS DRAWING IS A CONTROLLED DOCUMENT.		DIN CUVIELIER 14FEB99		TE Connectivity
DIMENSIONS: mm	TOLERANCES UNLESS OTHERWISE SPECIFIED:	APVD		NAME
	0 PLC ± - 1 PLC ± - 2 PLC ± - 3 PLC ± - 4 PLC ± - ANGLES ± -	PRODUCT SPEC	RECEPTACLE ASSEMBLY EUROCARD TYPES B,C AND SHORT VERSIONS (PN:V42254-B2***-C***-7626)	
MATERIAL	FINISH	APPLICATION SPEC	SIZE	CAGE CODE DRAWING NO
		WEIGHT	A1	00779
CUSTOMER DRAWING		SCALE	NTS	SHEET 1 OF 2
		REV	B11	

LOC	DIST	REVISIONS					
AD	00	F	LTR	DESCRIPTION	DATE	DWN	APVD
		-	-	SEE SHEET 1	-	-	-

PRODUCT DESCRIPTION CODE	TE PN	STYLE & NUMBER OF POSITIONS	TERMINATION POSTS	LOADED ROWS	PERFORMANCE LEVEL	BOARD LOCKS
V42254-B2100-C960	1393640-1	C96	RIGHT-ANGLE SOLDER LEADS	EVERY ROW , EVERY PITCH	1	NO
V42254-B2101-B640	1393640-4	B64	2,9mm STRAIGHT SOLDER LEADS	EVERY ROW , EVERY PITCH	1	NO
V42254-B2101-B645	1393640-5	B64	2,9mm STRAIGHT SOLDER LEADS	EVERY ROW , EVERY EVEN PITCH	1	NO
V42254-B2101-C300	1393640-6	C30	2,9mm STRAIGHT SOLDER LEADS	EVERY ROW , EVERY PITCH	1	NO
V42254-B2101-C480	1393640-7	C48	2,9mm STRAIGHT SOLDER LEADS	EVERY ROW , EVERY PITCH	1	NO
V42254-B2101-C483	1393640-8	C48	2,9mm STRAIGHT SOLDER LEADS	ROW A+C , EVERY PITCH	1	NO
V42254-B2101-C910	3-1392009-9	C96	2,9mm STRAIGHT SOLDER LEADS	EVERY ROW , EVERY PITCH	1	YES
V42254-B2101-C960	1393640-9	C96	2,9mm STRAIGHT SOLDER LEADS	EVERY ROW , EVERY PITCH	1	NO
V42254-B2101-C963	1-1393640-0	C96	2,9mm STRAIGHT SOLDER LEADS	ROW A+C , EVERY PITCH	1	NO
V42254-B2101-C968	1-1393640-1	C96	2,9mm STRAIGHT SOLDER LEADS	ROW A+C , EVERY EVEN PITCH	1	NO
V42254-B2102-B200	1-1393640-5	B20	4,5mm STRAIGHT SOLDER LEADS	EVERY ROW , EVERY PITCH	1	NO
V42254-B2102-B320	1-1393640-6	B32	4,5mm STRAIGHT SOLDER LEADS	EVERY ROW , EVERY PITCH	1	NO
V42254-B2102-B640	1-1393640-7	B64	4,5mm STRAIGHT SOLDER LEADS	EVERY ROW , EVERY PITCH	1	NO
V42254-B2102-B641	1-1393640-8	B64	4,5mm STRAIGHT SOLDER LEADS	ROW A , EVERY PITCH	1	NO
V42254-B2102-C303	2-1393640-0	C30	4,5mm STRAIGHT SOLDER LEADS	ROW A+C , EVERY PITCH	1	NO
V42254-B2102-C480	2-1393640-1	C48	4,5mm STRAIGHT SOLDER LEADS	EVERY ROW , EVERY PITCH	1	NO
V42254-B2102-C910	2-1393640-3	C96	4,5mm STRAIGHT SOLDER LEADS	EVERY ROW , EVERY PITCH	1	YES
V42254-B2102-C960	2-1393640-4	C96	4,5mm STRAIGHT SOLDER LEADS	EVERY ROW , EVERY PITCH	1	NO
V42254-B2102-C963	2-1393640-5	C96	4,5mm STRAIGHT SOLDER LEADS	ROW A+C , EVERY PITCH	1	NO
V42254-B2102-C968	2-1393640-6	C96	4,5mm STRAIGHT SOLDER LEADS	ROW A+C , EVERY EVEN PITCH	1	NO
V42254-B2103-B640	3-1393640-3	B64	6,3mm STRAIGHT SOLDER LEADS	EVERY ROW , EVERY PITCH	1	NO
V42254-B2103-C960	3-1393640-4	C96	6,3mm STRAIGHT SOLDER LEADS	EVERY ROW , EVERY PITCH	1	NO
V42254-B2104-C960	3-1393640-5	C96	7,3mm STRAIGHT SOLDER LEADS	EVERY ROW , EVERY PITCH	1	NO
V42254-B2110-B640	3-1393640-7	B64	RIGHT-ANGLE SOLDER LEADS WITH MOUNTING BRACKET	EVERY ROW , EVERY PITCH	1	NO
V42254-B2110-C960	3-1393640-8	C96	RIGHT-ANGLE SOLDER LEADS WITH MOUNTING BRACKET	EVERY ROW , EVERY PITCH	1	NO
V42254-B2110-C960N	3-1393640-9	C96	RIGHT-ANGLE SOLDER LEADS WITH MOUNTING BRACKET	EVERY ROW , EVERY PITCH	1	NO
V42254-B2110-C963	4-1393640-0	C96	RIGHT-ANGLE SOLDER LEADS WITH MOUNTING BRACKET	ROW A+C , EVERY PITCH	1	NO
V42254-B2130-B641	4-1393640-6	B64	5,5 10mm SOLDER HOOKS	ROW A , EVERY PITCH	1	NO
V42254-B2135-B640	4-1393640-7	B64	5,5 10mm SOLDER LUGS	EVERY ROW , EVERY PITCH	1	NO
V42254-B2135-B641	4-1393640-8	B64	5,5 10mm SOLDER LUGS	ROW A , EVERY PITCH	1	NO
V42254-B2135-C960	5-1393640-0	C96	5,5 10mm SOLDER LUGS	EVERY ROW , EVERY PITCH	1	NO
V42254-B2135-C963	5-1393640-1	C96	5,5 10mm SOLDER LUGS	ROW A+C , EVERY PITCH	1	NO
V42254-B2140-B640	5-1393640-8	B64	13mm STRAIGHT WIRE-WRAP PINS	EVERY ROW , EVERY PITCH	1	NO
V42254-B2140-C960	6-1393640-0	C96	13mm STRAIGHT WIRE-WRAP PINS	EVERY ROW , EVERY PITCH	1	NO
V42254-B2140-C963	6-1393640-1	C96	13mm STRAIGHT WIRE-WRAP PINS	ROW A+C , EVERY PITCH	1	NO
V42254-B2200-C960	7-1393640-0	C96	RIGHT-ANGLE SOLDER LEADS	EVERY ROW , EVERY PITCH	2	NO
V42254-B2200-C963	7-1393640-1	C96	RIGHT-ANGLE SOLDER LEADS	ROW A+C , EVERY PITCH	2	NO
V42254-B2201-B200	7-1393640-2	B20	2,9mm STRAIGHT SOLDER LEADS	EVERY ROW , EVERY PITCH	2	NO
V42254-B2201-B310	7-1393640-3	B32	2,9mm STRAIGHT SOLDER LEADS	EVERY ROW , EVERY PITCH	2	YES
V42254-B2201-B320	7-1393640-4	B32	2,9mm STRAIGHT SOLDER LEADS	EVERY ROW , EVERY PITCH	2	NO
V42254-B2201-B325	7-1393640-5	B32	2,9mm STRAIGHT SOLDER LEADS	EVERY ROW , EVERY EVEN PITCH	2	NO
V42254-B2201-B640	7-1393640-8	B64	2,9mm STRAIGHT SOLDER LEADS	EVERY ROW , EVERY PITCH	2	NO
V42254-B2201-B641	7-1393640-9	B64	2,9mm STRAIGHT SOLDER LEADS	ROW A , EVERY PITCH	2	NO
V42254-B2201-C300	8-1393640-0	C30	2,9mm STRAIGHT SOLDER LEADS	EVERY ROW , EVERY PITCH	2	NO
V42254-B2201-C313	8-1393640-2	C30	2,9mm STRAIGHT SOLDER LEADS	ROW A+C , EVERY PITCH	2	YES
V42254-B2201-C410	8-1393640-3	C48	2,9mm STRAIGHT SOLDER LEADS	EVERY ROW , EVERY PITCH	2	YES
V42254-B2201-C413	8-1393640-4	C48	2,9mm STRAIGHT SOLDER LEADS	ROW A+C , EVERY PITCH	2	YES
V42254-B2201-C480	8-1393640-5	C48	2,9mm STRAIGHT SOLDER LEADS	EVERY ROW , EVERY PITCH	2	NO
V42254-B2201-C483	8-1393640-6	C48	2,9mm STRAIGHT SOLDER LEADS	ROW A+C , EVERY PITCH	2	NO
V42254-B2201-C485	8-1393640-7	C48	2,9mm STRAIGHT SOLDER LEADS	EVERY ROW , EVERY EVEN PITCH	2	NO
V42254-B2201-C488	8-1393640-8	C48	2,9mm STRAIGHT SOLDER LEADS	ROW A+C , EVERY EVEN PITCH	2	NO
V42254-B2201-C910	8-1393640-9	C96	2,9mm STRAIGHT SOLDER LEADS	EVERY ROW , EVERY PITCH	2	YES
V42254-B2201-C913	9-1393640-0	C96	2,9mm STRAIGHT SOLDER LEADS	ROW A+C , EVERY PITCH	2	YES
V42254-B2201-C960	9-1393640-2	C96	2,9mm STRAIGHT SOLDER LEADS	EVERY ROW , EVERY PITCH	2	NO
V42254-B2201-C963	9-1393640-3	C96	2,9mm STRAIGHT SOLDER LEADS	ROW A+C , EVERY PITCH	2	NO
V42254-B2201-C965	9-1393640-4	C96	2,9mm STRAIGHT SOLDER LEADS	EVERY ROW , EVERY EVEN PITCH	2	NO
V42254-B2201-C968	9-1393640-5	C96	2,9mm STRAIGHT SOLDER LEADS	ROW A+C , EVERY EVEN PITCH	2	NO
V42254-B2202-B200	1-1393641-0	B20	4,5mm STRAIGHT SOLDER LEADS	EVERY ROW , EVERY PITCH	2	NO
V42254-B2202-B320	1-1393641-1	B32	4,5mm STRAIGHT SOLDER LEADS	EVERY ROW , EVERY PITCH	2	NO
V42254-B2202-B321	1-1393641-2	B32	4,5mm STRAIGHT SOLDER LEADS	ROW A , EVERY PITCH	2	NO
V42254-B2202-B640	1-1393641-4	B64	4,5mm STRAIGHT SOLDER LEADS	EVERY ROW , EVERY PITCH	2	NO
V42254-B2202-B640N	1-1393641-5	B64	4,5mm STRAIGHT SOLDER LEADS	EVERY ROW , EVERY PITCH	2	NO
V42254-B2202-B641	1-1393641-6	B64	4,5mm STRAIGHT SOLDER LEADS	ROW A , EVERY PITCH	2	NO
V42254-B2202-B641N	1-1393641-7	B64	4,5mm STRAIGHT SOLDER LEADS	ROW A , EVERY PITCH	2	NO
V42254-B2202-B645	1-1393641-8	B64	4,5mm STRAIGHT SOLDER LEADS	EVERY ROW , EVERY EVEN PITCH	2	NO

3) ACCORDING TO BT 236 LEVEL 2.
 2) CONNECTORS HAVE A FLUX-TIGHT COATING.
 1) NO COMPANY NAME MARKED ON THE CONNECTOR.

ACTIVE PART NUMBERS.
 CONTACT TE FOR OTHER CONFIGURATION AVAILABILITY

THIS DRAWING IS A CONTROLLED DOCUMENT.		DIN	CUVELIER	14FEB89
DIMENSIONS: mm		CHK	-	-
TOLERANCES UNLESS OTHERWISE SPECIFIED:		APVD	-	-
0 PLC ± -		NAME	RECEPTACLE ASSEMBLY EUROCARD	
1 PLC ± -		PRODUCT SPEC	TYPES B,C AND SHORT VERSIONS	
2 PLC ± -		APPLICATION SPEC	(PN:V42254-B2***-C***-*-762)	
3 PLC ± -		SIZE	CAGE CODE	DRAWING NO
4 PLC ± -		WEIGHT	A1	00779
MATERIAL		RESTRICTED TO	-	
FINISH		CUSTOMER DRAWING	SCALE	NTS
		SHEET	2	2
		REV	B11	

Данный компонент на территории Российской Федерации

Вы можете приобрести в компании MosChip.

Для оперативного оформления запроса Вам необходимо перейти по данной ссылке:

<http://moschip.ru/get-element>

Вы можете разместить у нас заказ для любого Вашего проекта, будь то серийное производство или разработка единичного прибора.

В нашем ассортименте представлены ведущие мировые производители активных и пассивных электронных компонентов.

Нашей специализацией является поставка электронной компонентной базы двойного назначения, продукции таких производителей как XILINX, Intel (ex.ALTERA), Vicor, Microchip, Texas Instruments, Analog Devices, Mini-Circuits, Amphenol, Glenair.

Сотрудничество с глобальными дистрибьюторами электронных компонентов, предоставляет возможность заказывать и получать с международных складов практически любой перечень компонентов в оптимальные для Вас сроки.

На всех этапах разработки и производства наши партнеры могут получить квалифицированную поддержку опытных инженеров.

Система менеджмента качества компании отвечает требованиям в соответствии с ГОСТ Р ИСО 9001, ГОСТ РВ 0015-002 и ЭС РД 009

Офис по работе с юридическими лицами:

105318, г.Москва, ул.Щербаковская д.3, офис 1107, 1118, ДЦ «Щербаковский»

Телефон: +7 495 668-12-70 (многоканальный)

Факс: +7 495 668-12-70 (доб.304)

E-mail: info@moschip.ru

Skype отдела продаж:

moschip.ru

moschip.ru_4

moschip.ru_6

moschip.ru_9