
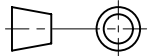


1. VISIT OUR ON-LINE CATALOG AT WWW.PANDUIT.COM FOR A LIST OF CURRENT PARTS APPLICABLE FOR USE WITH THIS PRODUCT.
2. PRIMARY DIMENSIONS ARE IN MILLIMETERS.
3. INCREMENTALLY ADJUSTABLE REAR EQUIPMENT MOUNTING RAILS (EIA) ARE FACTORY SET AT 742mm FROM FIXED FRONT RAILS. REAR RAILS ADJUST FROM 46mm TO 932mm IN INCREMENTS OF 32mm.
4. CAN BE USED WITH ANY 19" EIA STANDARD COMPONENT IN ADDITION TO ALL PANDUIT HORIZONTAL CABLE MANAGEMENT AND PATCH PANEL PRODUCTS.
5. EIA UNIVERSAL STANDARD HOLE PROGRESSION ON EQUIPMENT RAILS 15.88mm, 15.88mm, 12.70mm, 15.88mm, 15.88mm, 12.7mm...ETC.
6. PARTS SUPPLIED:
 - BASE CABINET
 - FRONT PERFORATED DOOR (SEE CHART ON SHEET 2)
 - REAR PERFORATED DOOR (SEE CHART ON SHEET 2)
 - SIDE PANEL (SEE CHART ON SHEET 2)
 - EQUIPMENT RAILS FRONT & REAR (SEE CHART ON SHEET 2)
 - CASTERS (SEE CHART ON SHEET 2)
 - INSTRUCTION SHEET
7. RACK UNIT SPACING NUMERALS ARE CLEARLY PRINTED ON EQUIPMENT MOUNTING RAILS.
8. FULLY BONDED STRUCTURE WHEN ASSEMBLED PER INSTRUCTIONS.
9. STATIC LOAD TESTED TO 567 Kg (1250 LBS).
10. ROLLING LOAD TESTED TO 227 Kg (500 LBS).
11. SINGLE POINT GROUND LOCATIONS AT BOTTOM OF CABINET.
12. ALL CABINET RAILS ARE INSTALLED NUMBERS UP.

						TITLE ENTERPRISE SERVER CONFIGURED CABINET 600mm WIDE x 1070mm DEEP FAMILY																					
						CUSTOMER DRAWING																					
						ITEM REVISION NAME 13V368ZC/00.PRT			PANDUIT™																		
						DATASET FILE NAME 13V368ZC_DC/00A.PRT																					
						UNLESS OTHERWISE SPECIFIED, DIMENSIONAL TOLERANCES ARE:			MATERIAL/COLOR:																		
						<table border="0"> <tr> <td>INCHES</td> <td></td> <td>METRIC - MILLIMETER</td> <td>ANGLE</td> </tr> <tr> <td>X.X</td> <td>+/- 0.03</td> <td>X.</td> <td>+/- 0.8</td> </tr> <tr> <td>X.XX</td> <td>+/- 0.018</td> <td>X.X</td> <td>+/- 0.46</td> </tr> <tr> <td>X.XXX</td> <td>+/- 0.007</td> <td>X.XX</td> <td>+/- 0.18</td> </tr> </table>			INCHES		METRIC - MILLIMETER	ANGLE	X.X	+/- 0.03	X.	+/- 0.8	X.XX	+/- 0.018	X.X	+/- 0.46	X.XXX	+/- 0.007	X.XX	+/- 0.18	N/A		
INCHES		METRIC - MILLIMETER	ANGLE																								
X.X	+/- 0.03	X.	+/- 0.8																								
X.XX	+/- 0.018	X.X	+/- 0.46																								
X.XXX	+/- 0.007	X.XX	+/- 0.18																								
						DRAWING NUMBER: 13V368ZC-DC																					
OOA	5-17-13	TKW	PBD		RELEASED TO PRODUCTION	THIRD ANGLE PROJECTION 																					
REV	DATE	BY	CHK	APR	DESCRIPTION	ECN	DRAWN BY TKW	DATE 5-17-13	CHK PBD	SCALE NONE	SHT 1 OF 5	SIZE A															

THIS COPY IS PROVIDED ON A RESTRICTED BASIS AND IS NOT TO BE USED IN ANY WAY DETRIMENTAL TO THE INTERESTS OF PANDUIT CORP.

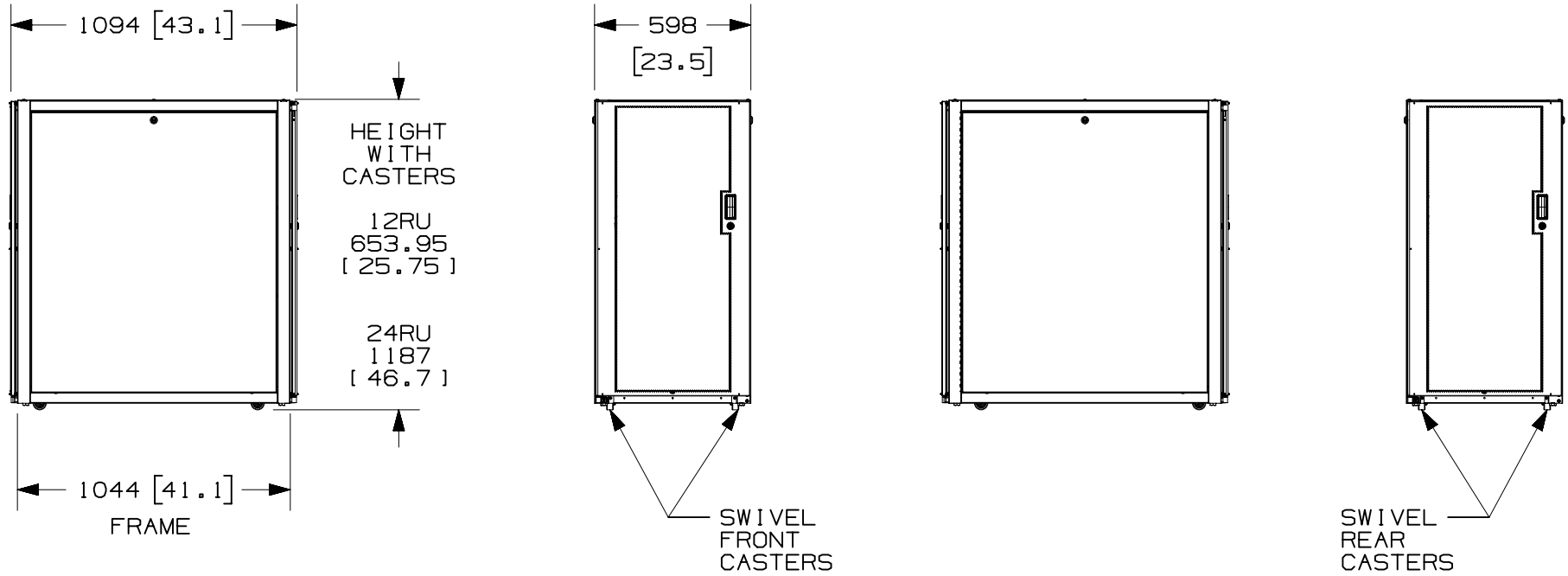
PART NO.	DESCRIPTION	QUANTITY						CABINET WEIGHT UNPACKAGED	CABINET WEIGHT SHIPPING NO PALLET	CABINET WEIGHT SHIPPING WITH PALLET
		SINGLE HINGE FRONT DOOR	SINGLE HINGE REAR DOOR	SIDE PANEL	FRONT POST WITH INTEGRATED CAGE NUT E-RAIL	REAR CAGE NUT E-RAIL	SWIVEL CASTERS			
E6212B1	12 RU ENTERPRISE CABINET 600mm WIDE X 1070mm DEEP	01	01	02	02	02	04	34.9 Kg 77 LBS	N/A	52.6 Kg 116 LBS
E6212B1FP	12 RU ENTERPRISE CABINET 600mm WIDE X 1070mm DEEP - FLAT PACKED	01	01	02	02	02	04	34.9 Kg 77 LBS	43.1 Kg 95 LBS	58.1 Kg 128 LBS
E6212B1FP5	12 RU ENTERPRISE CABINET 600mm WIDE X 1070mm DEEP - FLAT PACKED (5) PER PALLET	01	01	02	02	02	04	174.5 Kg (5 X 34.9 Kg) 385 LBS (5 X 77 LBS)	N/A	230.5 Kg (5 X 43.1 Kg)+ (1 X 15 Kg) PALLET 508 LBS (5 X 95 LBS)+ (1 X 33 LBS) PALLET
E6412B2	24 RU ENTERPRISE CABINET 600mm WIDE X 1070mm DEEP	01	01	02	02	02	04	45.8 Kg 101 LBS	N/A	63.5 Kg 140 LBS
E6412B2FP	24 RU ENTERPRISE CABINET 600mm WIDE X 1070mm DEEP - FLAT PACKED	01	01	02	02	02	04	45.8 Kg 101 LBS	N/A	79.4 Kg 175 LBS
E6412B2FP5	24 RU ENTERPRISE CABINET 600mm WIDE X 1070mm DEEP - FLAT PACKED (5) PER PALLET	01	01	02	02	02	04	229 Kg (5 X 45.8 Kg) 505 LBS (5 X 101 LBS)	N/A	324 Kg (5 X 61.2 Kg)+ (1 X 18 Kg) PALLET 715 LBS (5 X 135 LBS)+ (1 X 40 LBS) PALLET

																	TITLE															
																	ENTERPRISE SERVER CONFIGURED CABINET 600mm WIDE x 1070mm DEEP FAMILY															
																	CUSTOMER DRAWING															
																	ITEM REVISION NAME 13V368ZC/00.PRT															
																	DATASET FILE NAME 13V368ZC_DC/00A.PRT															
																																
																UNLESS OTHERWISE SPECIFIED, DIMENSIONAL TOLERANCES ARE:																
																<table border="0"> <tr> <td>INCHES</td> <td></td> <td>METRIC - MILLIMETER</td> <td>ANGLE</td> </tr> <tr> <td>X.X</td> <td>+/- 0.03</td> <td>X. / +/- 0.8</td> <td></td> </tr> <tr> <td>X.XX</td> <td>+/- 0.018</td> <td>X.X +/- 0.46</td> <td>+/- 1°</td> </tr> <tr> <td>X.XXX</td> <td>+/- 0.007</td> <td>X.XX +/- 0.18</td> <td></td> </tr> </table>		INCHES		METRIC - MILLIMETER	ANGLE	X.X	+/- 0.03	X. / +/- 0.8		X.XX	+/- 0.018	X.X +/- 0.46	+/- 1°	X.XXX	+/- 0.007	X.XX +/- 0.18
INCHES		METRIC - MILLIMETER	ANGLE																													
X.X	+/- 0.03	X. / +/- 0.8																														
X.XX	+/- 0.018	X.X +/- 0.46	+/- 1°																													
X.XXX	+/- 0.007	X.XX +/- 0.18																														
																	MATERIAL/COLOR: N/A															
																	DRAWING NUMBER: 13V368ZC-DC															
																																
OOA	5-17-13	TKW	PBD		SEE SHEET 1 OF 5 FOR REVISIONS		13V368ZC-DC										THIRD ANGLE PROJECTION															
REV	DATE	BY	CHK	APR	DESCRIPTION		ECN	DRAWN BY TKW	DATE 5-17-13	CHK PBD	SCALE NONE						SHT 2 OF 5															
																	SIZE A															

2

1

THIS COPY IS PROVIDED ON A RESTRICTED BASIS AND IS NOT TO BE USED IN ANY WAY DETRIMENTAL TO THE INTERESTS OF PANDUIT CORP.



B

B

A

A

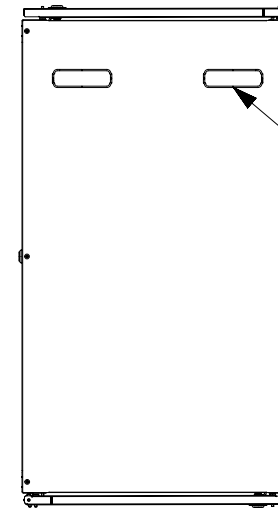
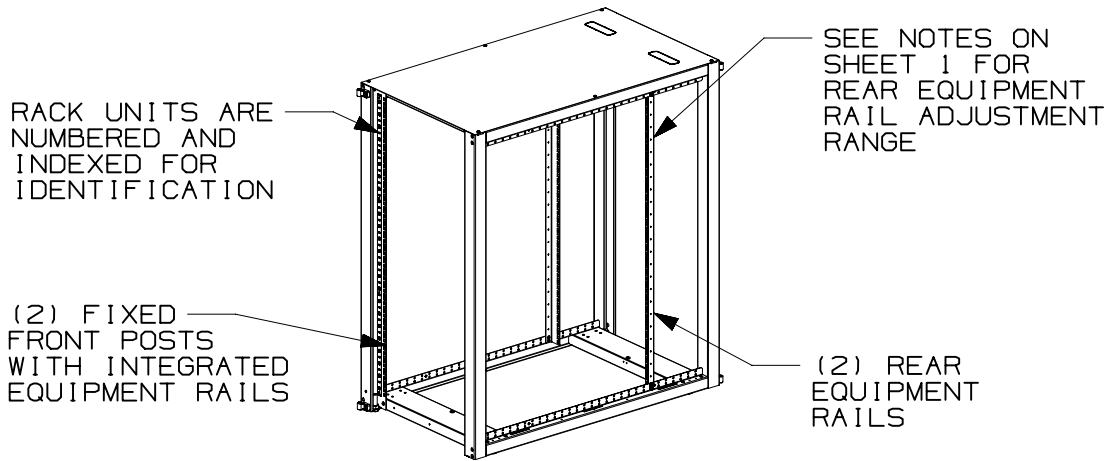
REV	DATE	BY	CHK	APR	DESCRIPTION	ECN
00A	5-17-13	TKW	PBD		SEE SHEET 1 OF 5 FOR REVISIONS	13V368ZC-DC

TITLE ENTERPRISE SERVER CONFIGURED CABINET 600mm WIDE x 1070mm DEEP FAMILY			
CUSTOMER DRAWING			
ITEM REVISION NAME 13V368ZC/00.PRT		PANDUIT ™	
DATASET FILE NAME 13V368ZC_DC/00A.PRT			
UNLESS OTHERWISE SPECIFIED, DIMENSIONAL TOLERANCES ARE:			
INCHES	METRIC - MILLIMETER	ANGLE	MATERIAL/COLOR:
X.X +/- 0.03	X. +/- 0.8	+/- 1°	N/A
X.XX +/- 0.018	X.X +/- 0.46		
X.XXX +/- 0.007	X.XX +/- 0.18		
DRAWN BY TKW		DATE 5-17-13	DRAWING NUMBER: 13V368ZC-DC
CHK PBD	SCALE NONE	SIZE A	SHT 3 OF 5

2

1

THIS COPY IS PROVIDED ON A RESTRICTED BASIS AND IS NOT TO BE USED IN ANY WAY DETRIMENTAL TO THE INTERESTS OF PANDUIT CORP.

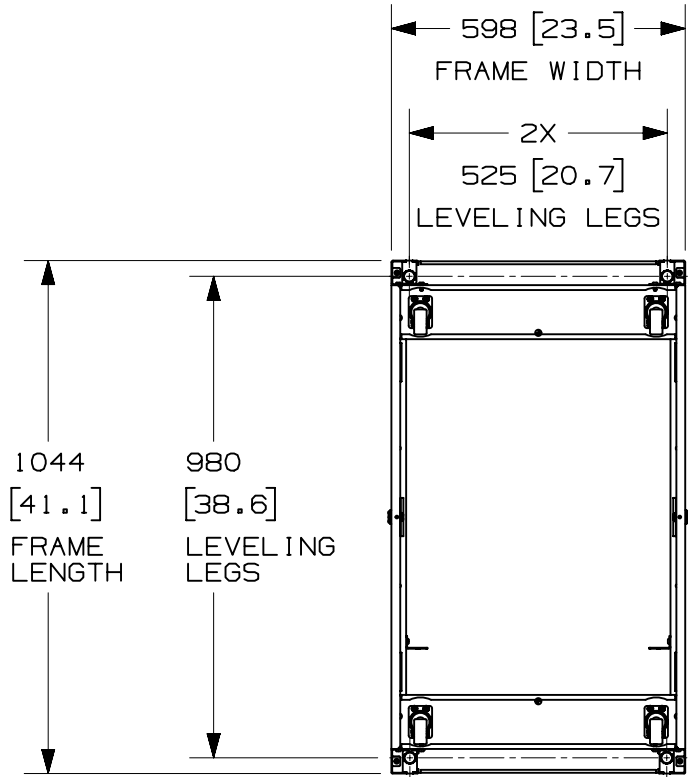


FRONT DOOR, REAR DOOR, AND SIDE PANELS NOT SHOWN

TOP VIEW

						TITLE ENTERPRISE SERVER CONFIGURED CABINET 600mm WIDE x 1070mm DEEP FAMILY													
						CUSTOMER DRAWING													
						ITEM REVISION NAME 13V368ZC/00.PRT													
						DATASET FILE NAME 13V368ZC_DC/00A.PRT													
						UNLESS OTHERWISE SPECIFIED, DIMENSIONAL TOLERANCES ARE:													
						<table border="1"> <tr> <th>INCHES</th> <th>METRIC - MILLIMETER</th> <th>ANGLE</th> </tr> <tr> <td>X.X +/- 0.03</td> <td>X.X +/- 0.8</td> <td rowspan="3">+/- 1°</td> </tr> <tr> <td>X.XX +/- 0.018</td> <td>X.X +/- 0.46</td> </tr> <tr> <td>X.XXX +/- 0.007</td> <td>X.XX +/- 0.18</td> </tr> </table>				INCHES	METRIC - MILLIMETER	ANGLE	X.X +/- 0.03	X.X +/- 0.8	+/- 1°	X.XX +/- 0.018	X.X +/- 0.46	X.XXX +/- 0.007	X.XX +/- 0.18
INCHES	METRIC - MILLIMETER	ANGLE																	
X.X +/- 0.03	X.X +/- 0.8	+/- 1°																	
X.XX +/- 0.018	X.X +/- 0.46																		
X.XXX +/- 0.007	X.XX +/- 0.18																		
						MATERIAL/COLOR: N/A													
						DRAWING NUMBER: 13V368ZC-DC													
OOA	5-17-13	TKW	PBD	SEE SHEET 1 OF 5 FOR REVISIONS		13V368ZC-DC													
REV	DATE	BY	CHK	APR	DESCRIPTION	ECN	DRAWN BY TKW	DATE 5-17-13	CHK PBD	SCALE NONE	SHT 4 OF 5	SIZE A							

THIS COPY IS PROVIDED ON A RESTRICTED BASIS AND IS NOT TO BE USED IN ANY WAY DETRIMENTAL TO THE INTERESTS OF PANDUIT CORP.



LEVELING LEGS SPACING
SOME PARTS REMOVED FOR CLARITY

REAR OF CABINET
BOTTOM VIEW

TITLE
ENTERPRISE SERVER CONFIGURED CABINET 600mm
WIDE x 1070mm DEEP FAMILY

CUSTOMER DRAWING

ITEM REVISION NAME
13V368ZC/00.PRT

DATASET FILE NAME
13V368ZC_DC/00A.PRT



UNLESS OTHERWISE SPECIFIED, DIMENSIONAL TOLERANCES ARE:
 INCHES +/- 0.03 METRIC - MILLIMETER ANGLE
 X.X +/- 0.018 X.X +/- 0.8
 X.XX +/- 0.018 X.X +/- 0.46 +/- 1°
 X.XXX +/- 0.007 X.XX +/- 0.18

MATERIAL/COLOR:
N/A

00A	5-17-13	TKW	PBD	SEE SHEET 1 OF 5 FOR REVISIONS	13V368ZC-DC	
REV	DATE	BY	CHK	APR	DESCRIPTION	ECN

DRAWING NUMBER: 13V368ZC-DC		THIRD ANGLE PROJECTION		DRAWN BY: TKW DATE: 5-17-13 CHK: PBD SCALE: NONE		SHT 5 OF 5		SIZE: A
--------------------------------	--	---------------------------	--	---	--	------------	--	---------

Данный компонент на территории Российской Федерации

Вы можете приобрести в компании MosChip.

Для оперативного оформления запроса Вам необходимо перейти по данной ссылке:

<http://moschip.ru/get-element>

Вы можете разместить у нас заказ для любого Вашего проекта, будь то серийное производство или разработка единичного прибора.

В нашем ассортименте представлены ведущие мировые производители активных и пассивных электронных компонентов.

Нашей специализацией является поставка электронной компонентной базы двойного назначения, продукции таких производителей как XILINX, Intel (ex.ALTERA), Vicor, Microchip, Texas Instruments, Analog Devices, Mini-Circuits, Amphenol, Glenair.

Сотрудничество с глобальными дистрибьюторами электронных компонентов, предоставляет возможность заказывать и получать с международных складов практически любой перечень компонентов в оптимальные для Вас сроки.

На всех этапах разработки и производства наши партнеры могут получить квалифицированную поддержку опытных инженеров.

Система менеджмента качества компании отвечает требованиям в соответствии с ГОСТ Р ИСО 9001, ГОСТ РВ 0015-002 и ЭС РД 009

Офис по работе с юридическими лицами:

105318, г.Москва, ул.Щербаковская д.3, офис 1107, 1118, ДЦ «Щербаковский»

Телефон: +7 495 668-12-70 (многоканальный)

Факс: +7 495 668-12-70 (доб.304)

E-mail: info@moschip.ru

Skype отдела продаж:

moschip.ru

moschip.ru_4

moschip.ru_6

moschip.ru_9