

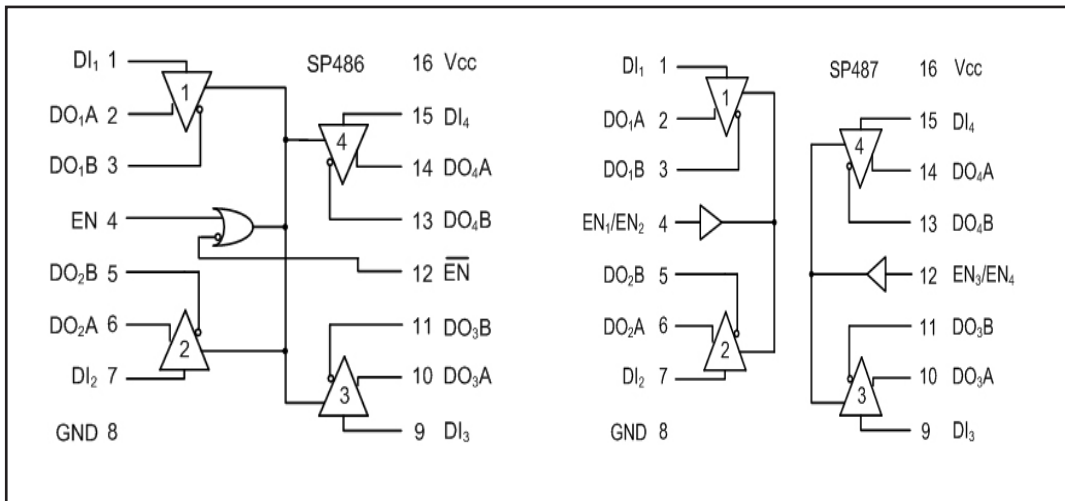


Quad RS-485/RS-422 Line Drivers

- RS-485 or RS-422 Applications
- Quad Differential Line Drivers
- Tri-state Output Control
- 40ns Typical Driver Propagation Delays
- 5ns Skew
- -7V to +12V Common Mode Output Range
- 100µA Supply Current
- Single +5V Supply Operation
- Pin Compatible with SN75172, SN75174, LTC486 and LTC487

DESCRIPTION

The **SP486** and **SP487** are low-power quad differential line drivers meeting RS-485 and RS-422 standards. The SP486 features a common driver enable control; the SP487 provides independent driver enable controls for each pair of drivers. Both feature tri-state outputs and a wide common-mode output range. SP486 and SP487 are available in a 16-pin SOIC package.



ABSOLUTE MAXIMUM RATINGS

These are stress ratings only and functional operation of the device at these ratings or any other above those indicated in the operation sections of the specifications below is not implied. Exposure to absolute maximum rating conditions for extended periods of time may affect reliability.

V _{CC}	+7V
Input Voltages	
Logic.....	-0.5V to (V _{CC} + 0.5V)
Drivers.....	-0.5V to (V _{CC} + 0.5V)
Driver Output Voltage.....	+/-14V
Input Currents	
Logic.....	+/-25mA
Driver.....	+/-25mA
Storage Temperature.....	-65°C to +150°C
Power Dissipation	
Plastic DIP.....	375mW
(derate 7mW/°C above +70°C)	
Small Outline.....	375mW
(derate 7mW/°C above +70°C)	

ELECTRICAL CHARACTERISTICS

V_{CC} = +5.0V +/-5%; typicals at 25°C; T_{MIN} ≤ T_{AMB} ≤ T_{MAX} unless otherwise noted.

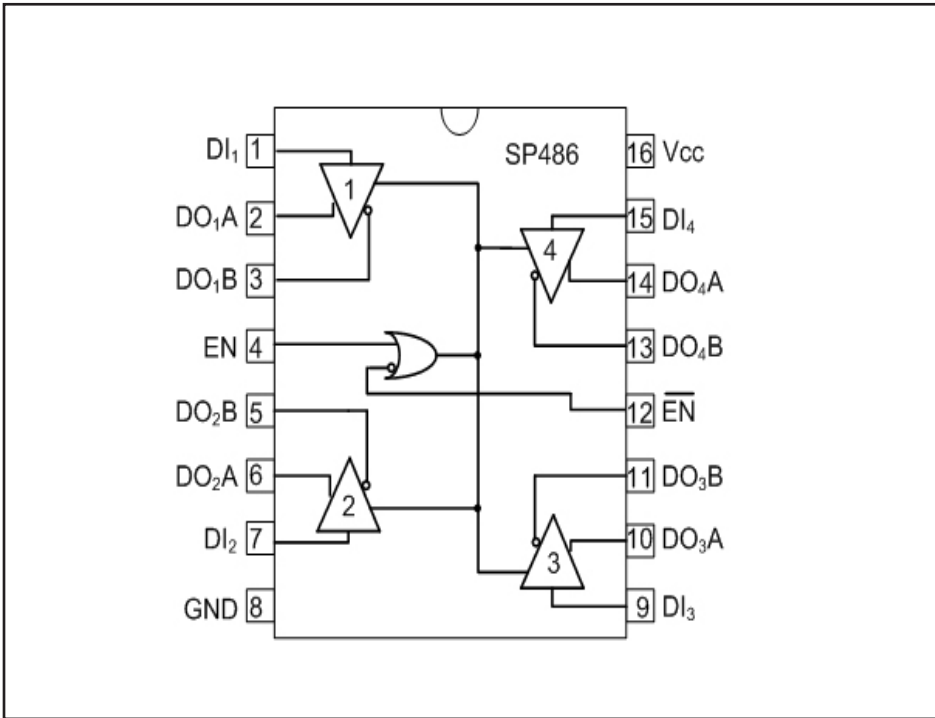
PARAMETERS	MIN.	TYP.	MAX.	UNITS	CONDITIONS
DC CHARACTERISTICS					
DIGITAL INPUTS					
Voltage V _L			0.8	Volts	DI, EN, $\overline{\text{EN}}$, EN ₁ /EN ₂ , EN ₃ /EN ₄
Voltage V _{IH}	2.0			Volts	
Input Current			+/-2	μA	V _{IN} = 0V to V _{CC}
DRIVER OUTPUTS					
Differential Voltage			5	Volts	I _O = 0; unloaded
Differential Voltage	2			Volts	R _L = 50Ω (RS-422); Figure 1
Differential Voltage	1.5	2	5	Volts	R _L = 27Ω (RS-485); Figure 1
Change in Output Magnitude for Complementary Output state			0.2	Volts	R _L = 27Ω or 50Ω; Figure 1
Common Mode Output Voltage		2.3	3	Volts	R _L = 27Ω or 50Ω; Figure 1
Change in Common Mode Output Magnitude for Complementary Output state			0.2	Volts	R _L = 27Ω or 50Ω; Figure 1
Driver Short Circuit Current V _{OH}			+/-250	mA	-7V ≤ V _O ≤ +10V
Driver Short Circuit Current V _{OL}			+/-250	mA	-7V ≤ V _O ≤ +10V
High Impedance Output Current		+/-2	+/-200	μA	V _O = -7V to +10V
POWER REQUIREMENTS					
Supply Voltage	4.75		5.25	Volts	
Supply Current		0.5	10	μA	No load, output enabled
Supply Current		0.1	10	μA	No load, output disabled

ELECTRICAL CHARACTERISTICS

$V_{CC} = +5.0V \pm 5\%$; typicals at 25°C; $T_{MIN} \leq T_{AMB} \leq T_{MAX}$ unless otherwise noted.

PARAMETERS	MIN.	TYP.	MAX.	UNITS	CONDITIONS
ENVIRONMENTAL AND MECHANICAL					
Operating Temperature, $_C$	0		+70	°C	
Operating Temperature, $_E$	-40		+85	°C	
Storage Temperature	-65		+150	°C	
Package $_T$	16-pin SOIC				
AC CHARACTERISTICS					
Maximum Data Rate	10			Mbps	
Propagation Delay, t_{PLH}	20	40	60	ns	$R_{DIFF} = 54$ ohms, $C_{L1} = C_{L2} = 100$ pF; Figure 2
Propagation Delay, t_{PHL}	20	40	60	ns	$R_{DIFF} = 54$ ohms, $C_{L1} = C_{L2} = 100$ pF; Figure 2
Differential Driver Skew		5	15	ns	$R_{DIFF} = 54$ ohms, $C_{L1} = C_{L2} = 100$ pF; Figure 2
Driver Rise Time (t_R)		20		ns	10% to 90%
Driver Fall Time (t_F)		20		ns	90% to 10%
Driver Enable to output High		60	110	ns	$C_L = 100$ pF, Figures 3 and 5 ($\bar{S}2$ closed)
Driver Enable to output Low		60	115	ns	$C_L = 100$ pF, Figures 3 and 5 ($S1$ closed)
Driver Disable from output High		60	130	ns	$C_L = 15$ pF, Figures 3 and 5 ($\bar{S}2$ closed)
Driver Disable from output Low		60	130	ns	$C_L = 15$ pF, Figures 3 and 5 ($S1$ closed)

SP486



Pin Function SP486

Pin 1 - DI₁ - Driver 1 Input - If driver 1 output is enabled, a logic 0 on DI₁ forces driver output DO₁A low and DO₁B high. A logic 1 on DI₁ with driver 1 output enabled forces driver DO₁A high and DO₁B low.

Pin 2 - DO₁A - Driver 1 output A.

Pin 3 - DO₁B - Driver 1 output B.

Pin 4 - EN - Driver Output Enable; Please refer to SP486 truth table (1).

Pin 5 - DO₂B - Driver 2 output B.

Pin 6 - DO₂A - Driver 2 output A.

Pin 7 - DI₂ - Driver 2 Input - If driver 2 output is enabled, a logic 0 on DI₂ forces driver output DO₂A low and DO₂B high. A logic 1 on DI₂ with driver 2 output enabled forces driver DO₂A high and DO₂B low.

Pin 8 - GND - Ground.

Pin 9 - DI₃ - Driver 3 Input - If driver 3 output is enabled, a logic 0 on DI₃ forces driver output DO₃A low and DO₃B high. A logic 1 on DI₃ with driver 3 output enabled forces driver DO₃A high and DO₃B low.

Pin 10 - DO₃A - Driver 3 output A.

Pin 11 - DO₃B - Driver 3 output B.

Pin 12 - EN-bar - Driver Output Disable; Please refer to SP486 truth table (1).

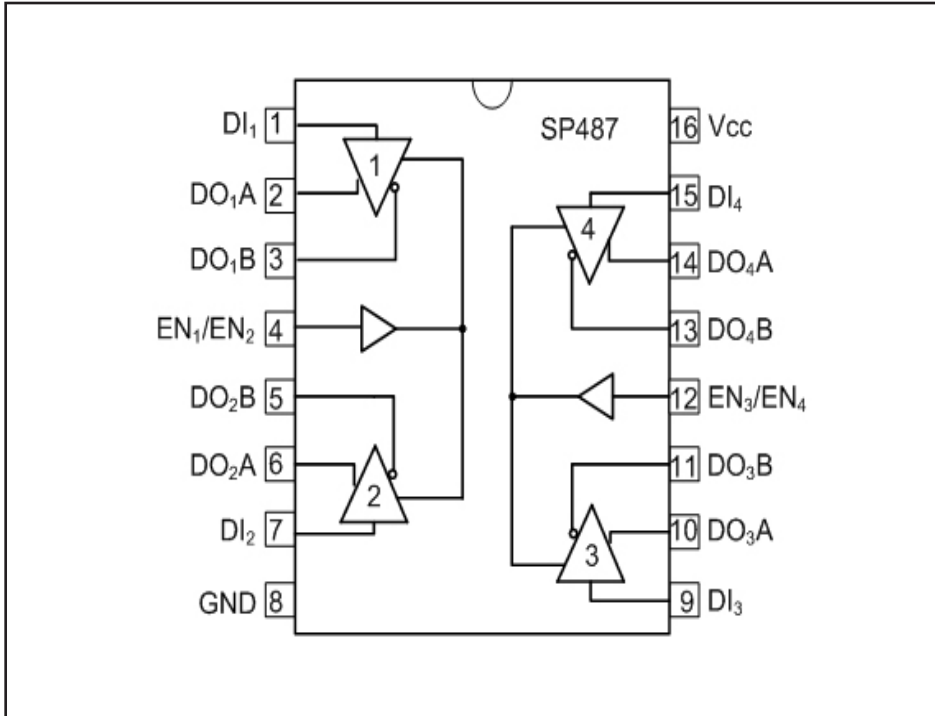
Pin 13 - DO₄B - Driver 4 output B.

Pin 14 - DO₄A - Driver 4 output A.

Pin 15 - DI₄ - Driver 4 Input - If driver 4 output is enabled, a logic 0 on DI₄ forces driver output DO₄A low and DO₄B high. A logic 1 on DI₄ with driver 4 output enabled forces driver DO₄A high and DO₄B low.

Pin 16 - Supply Voltage - +4.75V ≤ Vcc ≤ +5.25V.

SP487



Pin Function SP487

Pin 1 - DI₁ - Driver 1 Input - If driver 1 output is enabled, a logic 0 on DI₁ forces driver output DO₁A low and DO₁B high. A logic 1 on DI₁ with driver 1 output enabled forces driver DO₁A high and DO₁B low.

Pin 2 - DO₁A - Driver 1 output A.

Pin 3 - DO₁B - Driver 1 output B.

Pin 4 - EN₁/EN₂ - Driver 1 and 2 Output Enable; Please refer to SP487 truth table (2).

Pin 5 - DO₂B - Driver 2 output B.

Pin 6 - DO₂A - Driver 2 output A.

Pin 7 - DI₂ - Driver 2 Input - If driver 2 output is enabled, a logic 0 on DI₂ forces driver output DO₂A low and DO₂B high. A logic 1 on DI₂ with driver 2 output enabled forces driver DO₂A high and DO₂B low.

Pin 8 - GND - Ground.

Pin 9 - DI₃ - Driver 3 Input - If driver 3 output is enabled, a logic 0 on DI₃ forces driver output DO₃A low and DO₃B high. A logic 1 on DI₃ with driver 3 output enabled forces driver DO₃A high and DO₃B low.

Pin 10 - DO₃A - Driver 3 output A.

Pin 11 - DO₃B - Driver 3 output B.

Pin 12 - EN₃/EN₄ - Driver 3 and 4 Output Enable; Please refer to SP487 truth table (2)..

Pin 13 - DO₄B - Driver 4 output B.

Pin 14 - DO₄A - Driver 4 output A.

Pin 15 - DI₄ - Driver 4 Input - If driver 4 output is enabled, a logic 0 on DI₄ forces driver output DO₄A low and DO₄B high. A logic 1 on DI₄ with driver 4 output enabled forces driver DO₄A high and DO₄B low.

Pin 16 - Supply Voltage - +4.75V ≤ V_{CC} ≤ +5.25V.

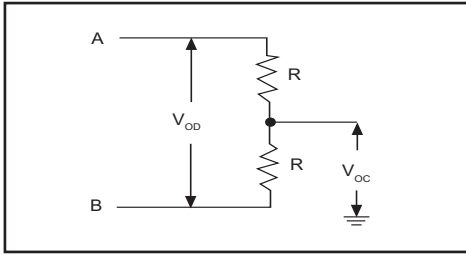


Figure 1. Driver DC Test Load

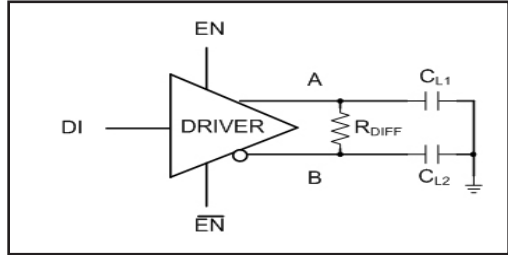


Figure 2. Driver Timing Test

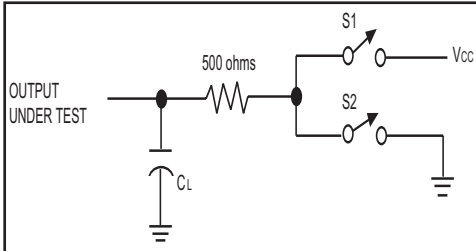


Figure 3. Driver Timing Test Load

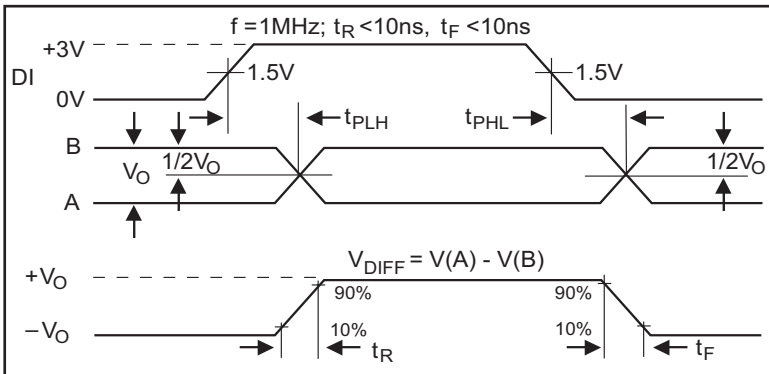


Figure 4. Driver Propagation Delays

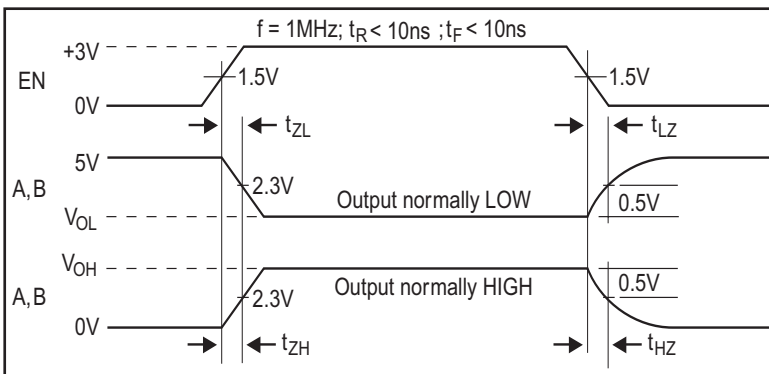


Figure 5. Driver Enable/Disable Timing

The **SP486** and **SP487** are low power quad differential line drivers meeting RS-485 and RS-422 standards. The SP486 features active high and active low common driver enable controls; the SP487 provides independent, active high driver enable controls for each pair of drivers. The driver outputs are short-circuit limited to 200mA. Data rates up to 10Mbps are supported. The SP486 and SP487 are available in a 16-pin SOIC package.

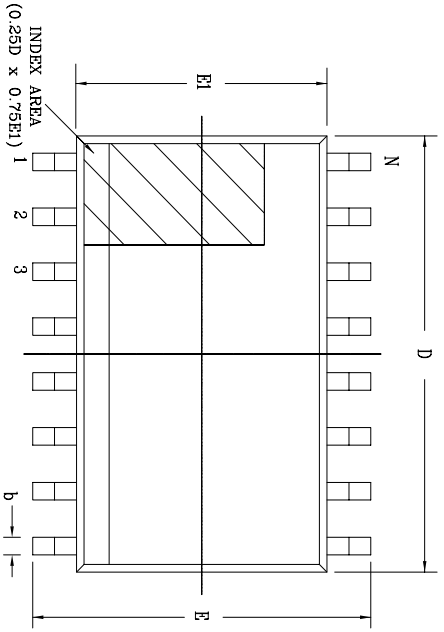
INPUT	ENABLES		OUTPUTS	
	EN	$\overline{\text{EN}}$	OUTA	OUTB
H	H	X	H	L
L	H	X	L	H
H	X	L	H	L
L	X	L	L	H
X	L	H	Hi-Z	Hi-Z

Table 1. SP486 Truth Table

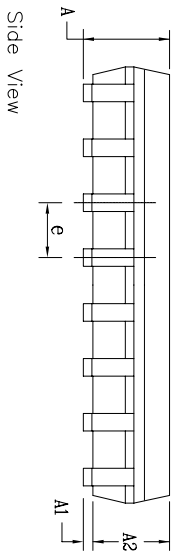
INPUT	ENABLES	OUTPUTS	
	EN_1/EN_2 or EN_3/EN_4	OUTA	OUTB
H	H	H	L
L	H	L	H
X	L	Hi-Z	Hi-Z

Table 2. SP487 Truth Table

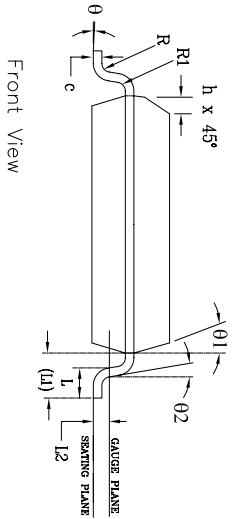
REVISION HISTORY			
REV	DESCRIPTION	DATE	APP'D
A	DRAWING ORIGINATOR	11/05/05	JL
B	DRAWING FORMAT MODIFICATION	09/13/06	JL
C	CHANGE DRAWING LOGO AND COMPANY NAME	11/21/07	JL



Top View




Side View



Front View

SYMBOLS	DIMENSIONS IN MM (Control Unit)			DIMENSIONS IN INCH (Reference Unit)		
	MIN	NOM	MAX	MIN	NOM	MAX
A	2.35	—	2.65	0.093	—	0.104
A1	0.10	—	0.30	0.004	—	0.012
A2	2.05	—	2.55	0.081	—	0.100
b	0.31	—	0.51	0.012	—	0.020
c	0.20	—	0.33	0.008	—	0.013
E	10.30	BSC	—	0.406	BSC	—
E1	7.50	BSC	—	0.295	BSC	—
e	1.27	BSC	—	0.050	BSC	—
h	0.25	—	0.75	0.010	—	0.030
L	0.40	—	1.27	0.016	—	0.050
L1	1.40	REF	—	0.055	REF	—
L2	0.25	BSC	—	0.010	BSC	—
R	0.07	—	—	0.003	—	—
R1	0.07	—	—	0.003	—	—
theta	0°	—	8°	0°	—	8°
theta1	5°	—	15°	5°	—	15°
theta2	0°	—	—	0°	—	—
D	10.30	BSC	—	0.405	BSC	—
N	16	—	—	16	—	—

		EXAR CORPORATION <small>Powering Connectivity</small>	
By: JL	Date: 11/21/07	Drawing No: 16-PIN SOICW PACKAGE OUTLINE	Revision: C
		16-PIN SOICW	Sheet: 1 OF 1

ORDERING INFORMATION

Model	Temperature Range	Package Types
SP486CT-L.....	0°C to +70°C.....	16-pin SOIC.....
SP486CT-L/TR.....	0°C to +70°C.....	16-pin SOIC.....
SP486ET-L.....	-40°C to +85°C.....	16-pin SOIC.....
SP486ET-L/TR.....	-40°C to +85°C.....	16-pin SOIC.....
SP487CT-L.....	0°C to +70°C.....	16-pin SOIC.....
SP487CT-L/TR.....	0°C to +70°C.....	16-pin SOIC.....
SP487ET-L.....	-40°C to +85°C.....	16-pin SOIC.....
SP487ET-L/TR.....	-40°C to +85°C.....	16-pin SOIC.....

Note: /TR = Tape and Reel

REVISION HISTORY

DATE	REVISION	DESCRIPTION
June 2005	--	Legacy Sipex Datasheet
June 2011	1.0.0	Update ordering information per PDN 110510-01 and convert to Exar Format

Notice

EXAR Corporation reserves the right to make changes to any products contained in this publication in order to improve design, performance or reliability. EXAR Corporation assumes no representation that the circuits are free of patent infringement. Charts and schedules contained herein are only for illustration purposes and may vary depending upon a user's specific application. While the information in this publication has been carefully checked; no responsibility, however, is assumed for inaccuracies.

EXAR Corporation does not recommend the use of any of its products in life support applications where the failure or malfunction of the product can reasonably be expected to cause failure of the life support system or to significantly affect its safety or effectiveness. Products are not authorized for use in such applications unless EXAR Corporation receives, in writing, assurances to its satisfaction that: (a) the risk of injury or damage has been minimized ; (b) the user assumes all such risks; (c) potential liability of EXAR Corporation is adequately protected under the circumstances.

Copyright 2011 EXAR Corporation

Datasheet June 2011

For technical support please email Exar's Serial Technical Support group at: serialtechsupport@exar.com

Reproduction, in part or whole, without the prior written consent of EXAR Corporation is prohibited.

Данный компонент на территории Российской Федерации

Вы можете приобрести в компании MosChip.

Для оперативного оформления запроса Вам необходимо перейти по данной ссылке:

<http://moschip.ru/get-element>

Вы можете разместить у нас заказ для любого Вашего проекта, будь то серийное производство или разработка единичного прибора.

В нашем ассортименте представлены ведущие мировые производители активных и пассивных электронных компонентов.

Нашей специализацией является поставка электронной компонентной базы двойного назначения, продукции таких производителей как XILINX, Intel (ex.ALTERA), Vicor, Microchip, Texas Instruments, Analog Devices, Mini-Circuits, Amphenol, Glenair.

Сотрудничество с глобальными дистрибьюторами электронных компонентов, предоставляет возможность заказывать и получать с международных складов практически любой перечень компонентов в оптимальные для Вас сроки.

На всех этапах разработки и производства наши партнеры могут получить квалифицированную поддержку опытных инженеров.

Система менеджмента качества компании отвечает требованиям в соответствии с ГОСТ Р ИСО 9001, ГОСТ РВ 0015-002 и ЭС РД 009

Офис по работе с юридическими лицами:

105318, г.Москва, ул.Щербаковская д.3, офис 1107, 1118, ДЦ «Щербаковский»

Телефон: +7 495 668-12-70 (многоканальный)

Факс: +7 495 668-12-70 (доб.304)

E-mail: info@moschip.ru

Skype отдела продаж:

moschip.ru

moschip.ru_4

moschip.ru_6

moschip.ru_9