



### Main

|                           |                         |
|---------------------------|-------------------------|
| Range of product          | Harmony XAC             |
| Product or component type | Pendant control station |
| Device short name         | XACB                    |

### Complementary

|                                       |   |
|---------------------------------------|---|
| Control station type                  | Double insulated                            |
| Enclosure material                    | Glass reinforced polyester                  |
| Electrical circuit type               | Control circuit<br>Power circuit            |
| Enclosure type                        | Empty enclosure                             |
| Number of cut-out                     | 8 cut-outs                                  |
| Control station colour                | Yellow                                      |
| Cable entry                           | Rubber sleeve with stepped entry 22...35 mm |
| Guard rail                            | Without                                     |
| Vertical operator cut-out centre      | 1.57 in (40 mm)                             |
| Standards                             | EN/IEC 60947-5-1<br>CSA C22.2 No 14         |
| Product certifications                | CSA type 4                                  |
| Protective treatment                  | TH  |
| Ambient air temperature for operation | -13...158 °F (-25...70 °C)                  |
| Ambient air temperature for storage   | -40...158 °F (-40...70 °C)                  |
| Vibration resistance                  | 15 gn 10...500 Hz IEC 60068-2-6             |
| Shock resistance                      | 100 gn IEC 60068-2-27                       |
| Overvoltage category                  | Class II IEC 61140                          |
| IP degree of protection               | IP65 IEC 60529                              |
| IK degree of protection               | IK08 EN 50102                               |
| Mechanical durability                 | 1000000 cycles                              |
| Product weight                        | 3.37 lb(US) (1.53 kg)                       |

### Environment

#### Offer Sustainability

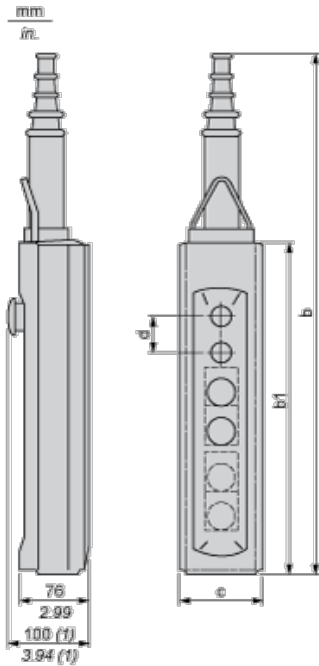
|  |  |
|--|--|
| WARNING: This product can expose you to chemicals including:   | WARNING: This product can expose you to chemicals including:   |
| Nickel compounds, which is known to the State of California to cause cancer, and   | Nickel compounds, which is known to the State of California to cause cancer, and   |
| Di-isodecyl phthalate (DIDP), which is known to the State of California to cause birth defects or other reproductive harm. | Di-isodecyl phthalate (DIDP), which is known to the State of California to cause birth defects or other reproductive harm. |
| For more information go to <a href="http://www.p65warnings.ca.gov">www.p65warnings.ca.gov</a>                              | For more information go to <a href="http://www.p65warnings.ca.gov">www.p65warnings.ca.gov</a>                              |

#### Contractual warranty

|                 |           |
|-----------------|-----------|
| Warranty period | 18 months |
|-----------------|-----------|

## Dimensions

Below drawing shows a product with 6 cut-outs. Select the number of cut-outs according to the product characteristics in order to get b, b1 and c dimensions.



(1) With mushroom head operator

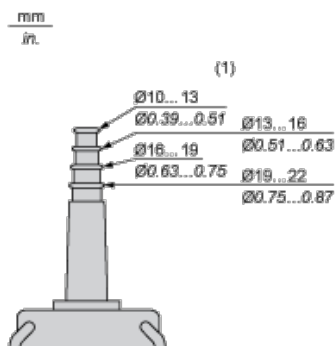
Dimensions in mm

| Number of cut-outs | 2   | 4   | 6   | 8   | 12  |
|--------------------|-----|-----|-----|-----|-----|
| b                  | 409 | 499 | 589 | 679 | 679 |
| b1                 | 220 | 310 | 400 | 490 | 490 |
| c                  | 98  | 98  | 98  | 98  | 98  |
| d                  | 40  | 40  | 40  | 40  | 30  |

Dimensions in in.

| Number of cut-outs | 2     | 4     | 6     | 8     | 12    |
|--------------------|-------|-------|-------|-------|-------|
| b                  | 16.10 | 19.64 | 23.19 | 26.73 | 26.73 |
| b1                 | 8.66  | 12.20 | 15.75 | 19.29 | 19.29 |
| c                  | 3.86  | 3.86  | 3.86  | 3.86  | 3.86  |
| d                  | 1.57  | 1.57  | 1.57  | 1.57  | 1.18  |

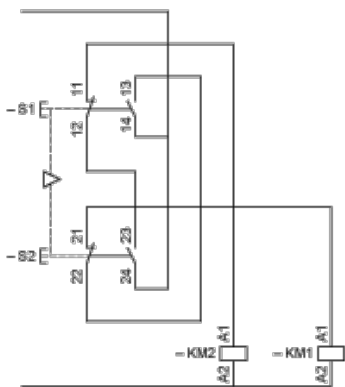
Protective cable sleeves



(1) Internal  $\varnothing$

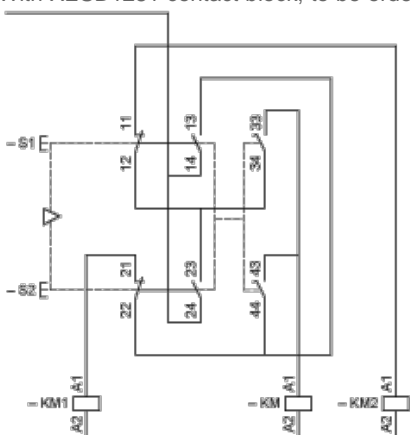
## Control of Single-Speed Reversing Motor

With XESD1181 contact block, to be ordered separately



### Control of 2-Speed Reversing Motor

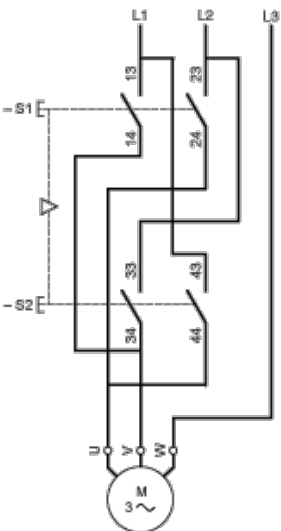
With XESD1281 contact block, to be ordered separately



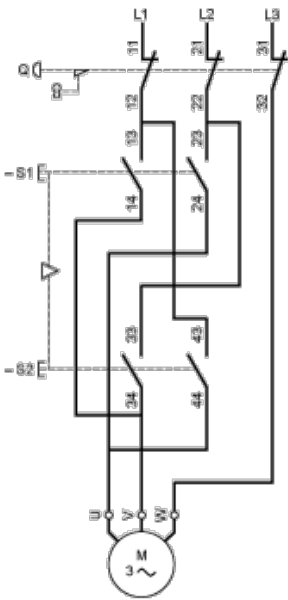
KM High speed contactor

### Control of Single-Speed Reversing Motor 2-Phase Switching

With XESD1191 contact block, to be ordered separately

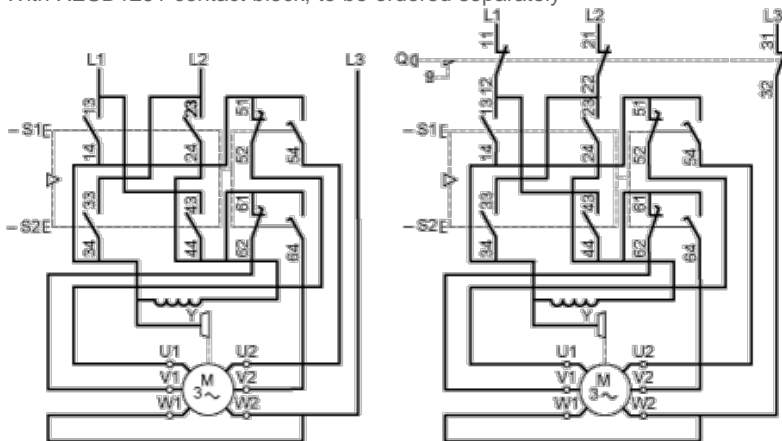


Combined with 3-pole isolating block XACS399 or XACS3991, shown in the unoperated position (pendant station "supplied"), fitted with key release trigger action latching Emergency stop operator.



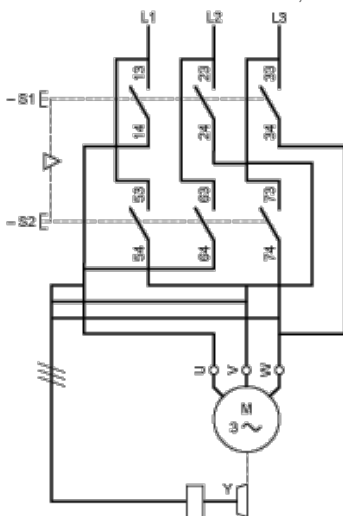
### Control of 2-Speed Reversing Motor 2-Phase Switching

With XESD1291 contact block, to be ordered separately



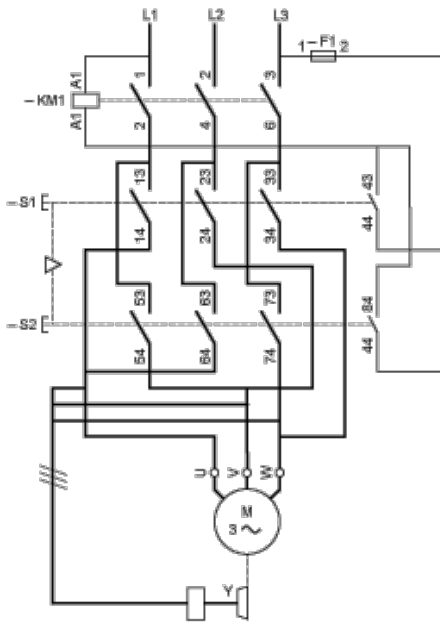
### Control of Single-Speed Reversing Motor 3-Phase switching, Reversing by 2-Phase Inversion

With XESD2201 contact block, to be ordered separately



### Control of Single-Speed Reversing Motor 3-Phase switching, Reversing by 2-Phase Inversion

With XESD2241 contact block, to be ordered separately



## Данный компонент на территории Российской Федерации

### Вы можете приобрести в компании MosChip.

Для оперативного оформления запроса Вам необходимо перейти по данной ссылке:

<http://moschip.ru/get-element>

Вы можете разместить у нас заказ для любого Вашего проекта, будь то серийное производство или разработка единичного прибора.

В нашем ассортименте представлены ведущие мировые производители активных и пассивных электронных компонентов.

Нашей специализацией является поставка электронной компонентной базы двойного назначения, продукции таких производителей как XILINX, Intel (ex.ALTERA), Vicor, Microchip, Texas Instruments, Analog Devices, Mini-Circuits, Amphenol, Glenair.

Сотрудничество с глобальными дистрибьюторами электронных компонентов, предоставляет возможность заказывать и получать с международных складов практически любой перечень компонентов в оптимальные для Вас сроки.

На всех этапах разработки и производства наши партнеры могут получить квалифицированную поддержку опытных инженеров.

Система менеджмента качества компании отвечает требованиям в соответствии с ГОСТ Р ИСО 9001, ГОСТ РВ 0015-002 и ЭС РД 009

### Офис по работе с юридическими лицами:

105318, г.Москва, ул.Щербаковская д.3, офис 1107, 1118, ДЦ «Щербаковский»

Телефон: +7 495 668-12-70 (многоканальный)

Факс: +7 495 668-12-70 (доб.304)

E-mail: [info@moschip.ru](mailto:info@moschip.ru)

Skype отдела продаж:

moschip.ru

moschip.ru\_4

moschip.ru\_6

moschip.ru\_9