

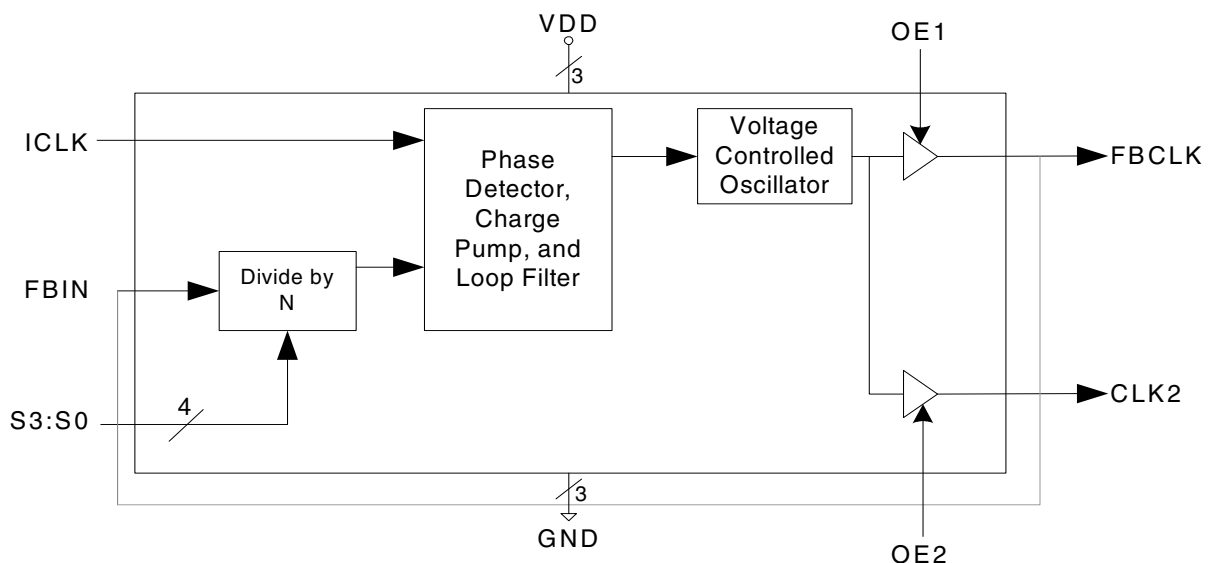
LOW PHASE NOISE ZERO DELAY BUFFER AND MULTIPLIER
ICS670-04
Description

The ICS670-04 is a high speed, low phase noise, Zero Delay Buffer (ZDB) which integrates IDT's proprietary analog/digital Phase Locked Loop (PLL) techniques. It is identical to the ICS670-02, but with an increased maximum output frequency of 210 MHz. There are two identical outputs on the chip. The FBCLK should be used to connect to the FBIN. Each output has its own output enable pin.

The ICS670-04 is ideal for synchronizing outputs in a large variety of systems, from personal computers to data communications to video. By allowing off-chip feedback paths, the chip can eliminate the delay through other devices. The 15 different on-chip multipliers work in a variety of applications. For other multipliers, including functional multipliers, see the ICS527.

Features

- Packaged in 16-pin SOIC – Pb (lead) free
- Clock inputs from 5 to 210 MHz (see page 2)
- Patented PLL with low phase noise
- Output clocks up to 210 MHz at 3.3 V
- 15 selectable on-chip multipliers
- Power down mode available
- Low phase noise: -111 dBc/Hz at 10 kHz
- Output enable function tri-states outputs
- Low jitter 15 ps one sigma
- Advanced, low power, sub-micron CMOS process
- Operating voltage of 3.3 V or 5 V
- Industrial temperature grade

Block Diagram


External Feedback from FBCLK is recommended.

Pin Assignment



Multiplier Select Table

| S3 | S2 | S1 | S0 | CLK2 (and FBCLK) | Input Range (MHz) |
|----|----|----|----|------------------------------|-------------------|
| 0 | 0 | 0 | 0 | Low (Power down entire chip) | — |
| 0 | 0 | 0 | 1 | Input x1.333 | 18 - 157.5 |
| 0 | 0 | 1 | 0 | Input x6 | 5 - 35 |
| 0 | 0 | 1 | 1 | Input x1.5 | 16.67 - 140 |
| 0 | 1 | 0 | 0 | Input x3.333 | 7.5 - 63 |
| 0 | 1 | 0 | 1 | Input x2.50 | 10 - 84 |
| 0 | 1 | 1 | 0 | Input x4 | 6 - 52.5 |
| 0 | 1 | 1 | 1 | Input x1 | 25 - 210 |
| 1 | 0 | 0 | 0 | Input x2.333 | 11 - 90 |
| 1 | 0 | 0 | 1 | Input x2.666 | 10 - 78.75 |
| 1 | 0 | 1 | 0 | Input x12 | 5 - 17.5 |
| 1 | 0 | 1 | 1 | Input x3 | 8 - 70 |
| 1 | 1 | 0 | 0 | Input x10 | 5 - 21 |
| 1 | 1 | 0 | 1 | Input x5 | 6 - 42 |
| 1 | 1 | 1 | 0 | Input x8 | 5 - 26.25 |
| 1 | 1 | 1 | 1 | Input x2 | 12 - 105 |

Pin Descriptions

| Pin Number | Pin Name | Pin Type | Pin Description |
|------------|----------|----------|--|
| 1 - 3 | VDD | Input | Power supply. Connect both pins to the same voltage (either 3.3 V or 5 V). |
| 4 | CLK2 | Output | Clock output from VCO. Output frequency equals the input frequency times multiplier. |
| 5 | OE2 | Input | Output clock enable 2. Tri-states the clock 2 output when low. |
| 6 | FBCLK | Output | Clock output from VCO. Output frequency equals the input frequency times multiplier. |
| 7 | OE1 | Input | Output clock enable 1. Tri-states the feedback clock output when low. |
| 8 | FBIN | Input | Feedback clock input. |
| 9 | ICLK | Input | Clock input. Connect to a 5 - 210 MHz clock. |
| 10 | S3 | Input | Multiplier select pin 3. Determines outputs per table above. Internal pull-up. |
| 11 | S2 | Input | Multiplier select pin 2. Determines outputs per table above. Internal pull-up. |
| 12 | S1 | Input | Multiplier select pin 1. Determines outputs per table above. Internal pull-up. |
| 13 | S0 | Input | Multiplier select pin 0. Determines outputs per table above. Internal pull-up. |
| 14 - 16 | GND | Power | Connect to ground. |

External Components

The ICS670-04 requires a minimum number of external components for proper operation. Tie all VDD pins together, all ground pins together, and connect a 0.01 μ F decoupling capacitor between them. A series termination resistor of 33 Ω must be used on each clock output.

Absolute Maximum Ratings

Stresses above the ratings listed below can cause permanent damage to the ICS670-04. These ratings, which are standard values for IDT commercially rated parts, are stress ratings only. Functional operation of the device at these or any other conditions above those indicated in the operational sections of the specifications is not implied. Exposure to absolute maximum rating conditions for extended periods can affect product reliability. Electrical parameters are guaranteed only over the recommended operating temperature range.

| Item | Rating |
|-------------------------------|---------------------|
| Supply Voltage, VDD | 7 V |
| All Inputs and Outputs | -0.5 V to VDD+0.5 V |
| Ambient Operating Temperature | -40 to +85° C |
| Storage Temperature | -65 to +150° C |
| Junction Temperature | 150° C |
| Soldering Temperature | 260° C |

Recommended Operation Conditions

| Parameter | Min. | Typ. | Max. | Units |
|---|------|------|------|-------|
| Ambient Operating Temperature | -40 | | +85 | °C |
| Power Supply Voltage (measured in respect to GND) | +3.0 | | +5.5 | V |

DC Electrical Characteristics

VDD=3.3 V \pm 10%, Ambient temperature -40 to +85° C, unless stated otherwise

| Parameter | Symbol | Conditions | Min. | Typ. | Max. | Units |
|---------------------------------|-----------------|--------------------------|---------|------|------|-------|
| Operating Voltage | VDD | | 3.0 | | 5.5 | V |
| Input High Voltage | V _{IH} | | 2 | | | V |
| Input Low Voltage | V _{IL} | | | | 0.8 | V |
| Output High Voltage | V _{OH} | I _{OH} = -12 mA | 2.4 | | | V |
| Output Low Voltage | V _{OL} | I _{OL} = 12 mA | | | 0.4 | V |
| Output High Voltage, CMOS level | V _{OH} | I _{OH} = -4 mA | VDD-0.4 | | | V |
| Operating Supply Current | IDD | No Load | | 35 | | mA |

| Parameter | Symbol | Conditions | Min. | Typ. | Max. | Units |
|---------------------------|----------|-----------------|------|------|------|-------|
| Short Circuit Current | I_{OS} | Each output | | ±50 | | mA |
| Internal Pull-up Resistor | R_{PU} | OE, select pins | | 200 | | kΩ |
| Input Capacitance | C_{IN} | OE, select pins | | 5 | | pF |

AC Electrical Characteristics

VDD = 3.3V ±10%, Ambient Temperature -40 to +85° C, unless stated otherwise

| Parameter | Symbol | Conditions | Min. | Typ. | Max. | Units |
|--|----------|-----------------------|------|------|------|--------|
| Input Clock Frequency | f_{IN} | See table on page 2 | 5 | | 210 | MHz |
| Output Clock Frequency | | | | | 210 | MHz |
| Output Rise Time | t_{OR} | 0.8 to 2.0 V, no load | | | 1.5 | ns |
| Output Fall Time | t_{OF} | 2.0 to 0.8 V, no load | | | 1.5 | ns |
| Output Clock Duty Cycle | t_{DC} | measured at VDD/2 | 45 | 50 | 55 | % |
| Input to Output Skew | | Note 1 | | ±100 | | ps |
| Maximum Absolute Jitter | | short term | | ±45 | | ps |
| Maximum Jitter | | one sigma | | 15 | | ps |
| Phase Noise, relative to carrier, 125 MHz (x5) | | 100 Hz offset | | -103 | | dBc/Hz |
| | | 1 kHz offset | | -117 | | dBc/Hz |
| | | 10 kHz | | -111 | | dBc/Hz |
| | | 200 kHz | | -88 | | dBc/Hz |

Note 1: Rising edge of ICLK compared with rising edge of CLK2, with FBCLK connected to FBIN, and 15 pF load on CLK2.

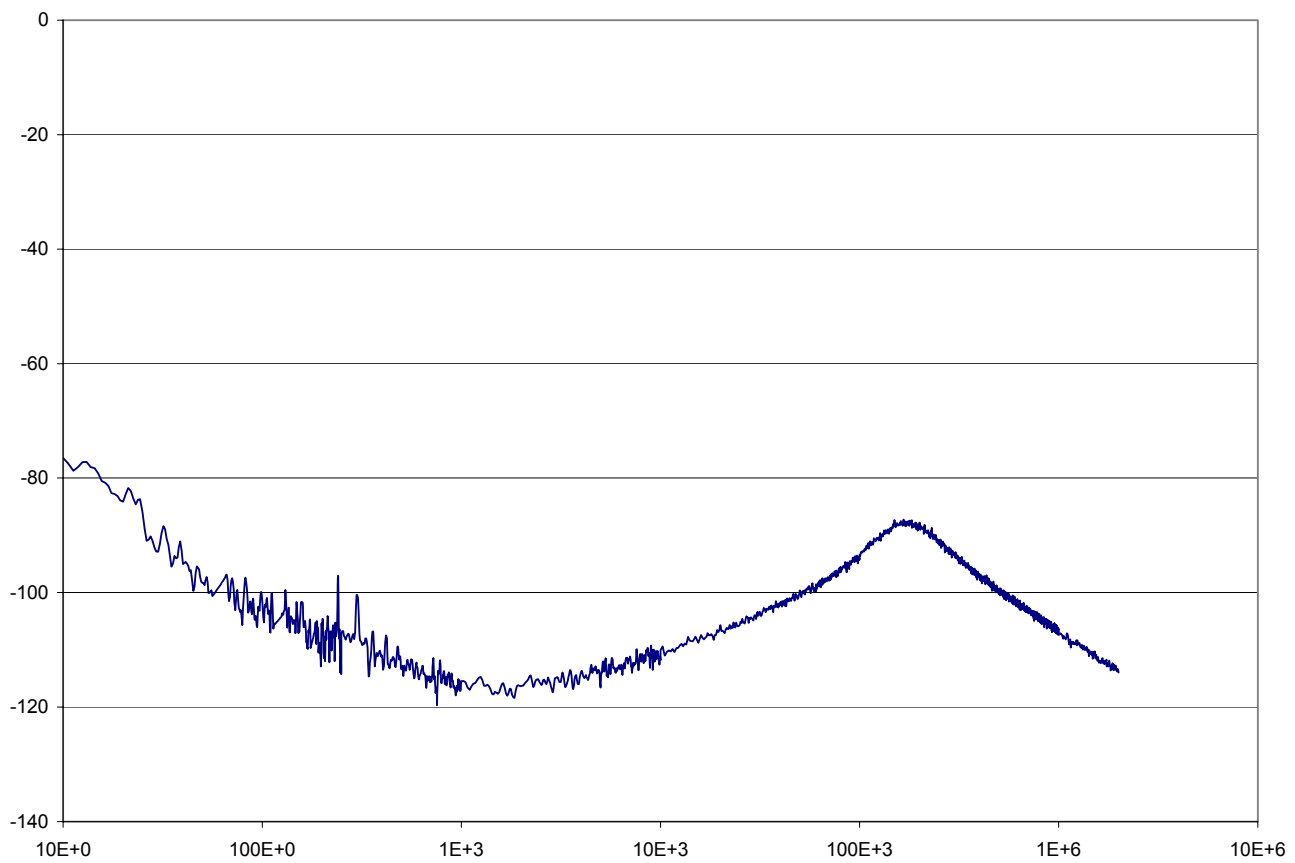
Note for OE1

The OE1 pin is intended to facilitate board test. Note that disabling the FBLK will open the loop, causing a high-frequency to be output from CLK2. Therefore, set OE1 low only if the chip is in power-down (S3:S0 = 0).

Thermal Characteristics

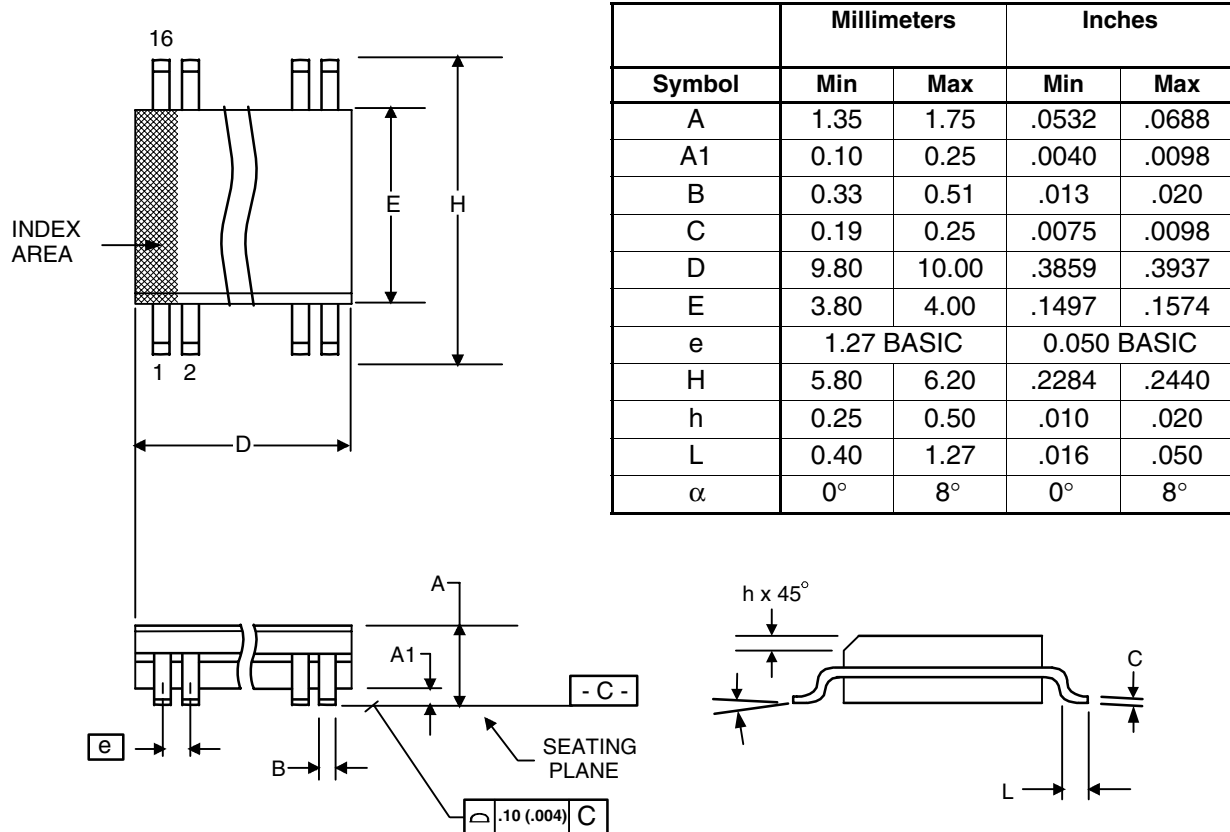
| Parameter | Symbol | Conditions | Min. | Typ. | Max. | Units |
|--|---------------|----------------|------|------|------|-------|
| Thermal Resistance Junction to Ambient | θ_{JA} | Still air | | 120 | | °C/W |
| | θ_{JA} | 1 m/s air flow | | 115 | | °C/W |
| | θ_{JA} | 3 m/s air flow | | 105 | | °C/W |
| Thermal Resistance Junction to Case | θ_{JC} | | | 58 | | °C/W |

Phase Noise for 125 MHz output, 25 MHz clock input (VDD = 3.3 V)



Package Outline and Package Dimensions (16-pin SOIC, 150 Mil. Narrow Body)

Package dimensions are kept current with JEDEC Publication No. 95



Ordering Information

| Part / Order Number | Marking | Shipping Packaging | Package | Temperature |
|---------------------|------------|--------------------|-------------|---------------|
| 670M-04ILF | 670M-04ILF | Tubes | 16-pin SOIC | -40 to +85° C |
| 670M-04ILFT | 670M-04ILF | Tape and Reel | 16-pin SOIC | -40 to +85° C |

“LF” denotes Pb (lead) free package.

While the information presented herein has been checked for both accuracy and reliability, Integrated Device Technology (IDT) assumes no responsibility for either its use or for the infringement of any patents or other rights of third parties, which would result from its use. No other circuits, patents, or licenses are implied. This product is intended for use in normal commercial applications. Any other applications such as those requiring extended temperature range, high reliability, or other extraordinary environmental requirements are not recommended without additional processing by IDT. IDT reserves the right to change any circuitry or specifications without notice. IDT does not authorize or warrant any IDT product for use in life support devices or critical medical instruments.

Innovate with IDT and accelerate your future networks. Contact:

www.IDT.com

For Sales

800-345-7015
408-284-8200
Fax: 408-284-2775

For Tech Support

www.idt.com/go/clockhelp

Corporate Headquarters

Integrated Device Technology, Inc.
www.idt.com



www.IDT.com

Данный компонент на территории Российской Федерации

Вы можете приобрести в компании MosChip.

Для оперативного оформления запроса Вам необходимо перейти по данной ссылке:

<http://moschip.ru/get-element>

Вы можете разместить у нас заказ для любого Вашего проекта, будь то серийное производство или разработка единичного прибора.

В нашем ассортименте представлены ведущие мировые производители активных и пассивных электронных компонентов.

Нашей специализацией является поставка электронной компонентной базы двойного назначения, продукции таких производителей как XILINX, Intel (ex.ALTERA), Vicor, Microchip, Texas Instruments, Analog Devices, Mini-Circuits, Amphenol, Glenair.

Сотрудничество с глобальными дистрибьюторами электронных компонентов, предоставляет возможность заказывать и получать с международных складов практически любой перечень компонентов в оптимальные для Вас сроки.

На всех этапах разработки и производства наши партнеры могут получить квалифицированную поддержку опытных инженеров.

Система менеджмента качества компании отвечает требованиям в соответствии с ГОСТ Р ИСО 9001, ГОСТ РВ 0015-002 и ЭС РД 009

Офис по работе с юридическими лицами:

105318, г.Москва, ул.Щербаковская д.3, офис 1107, 1118, ДЦ «Щербаковский»

Телефон: +7 495 668-12-70 (многоканальный)

Факс: +7 495 668-12-70 (доб.304)

E-mail: info@moschip.ru

Skype отдела продаж:

moschip.ru

moschip.ru_4

moschip.ru_6

moschip.ru_9