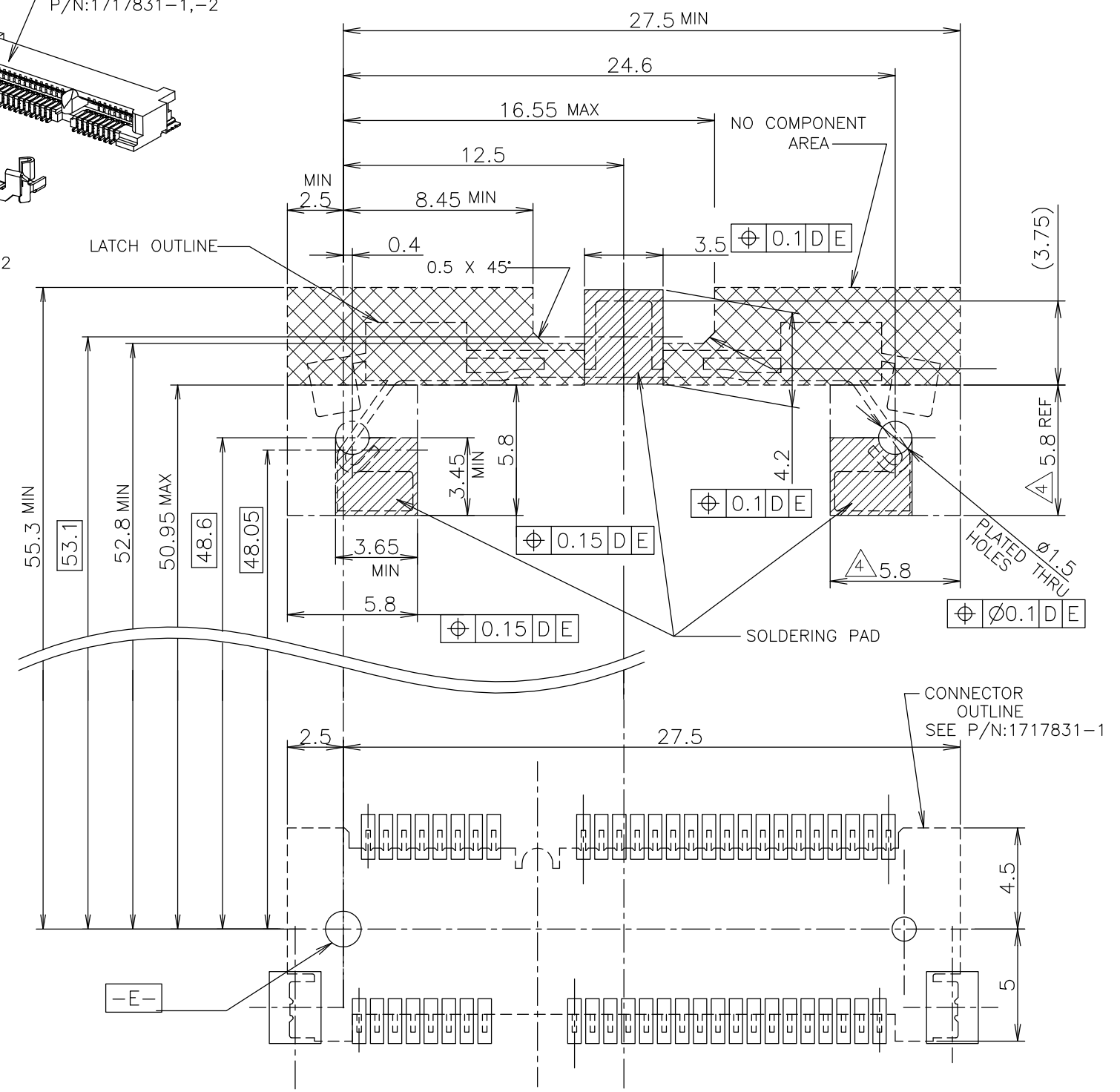
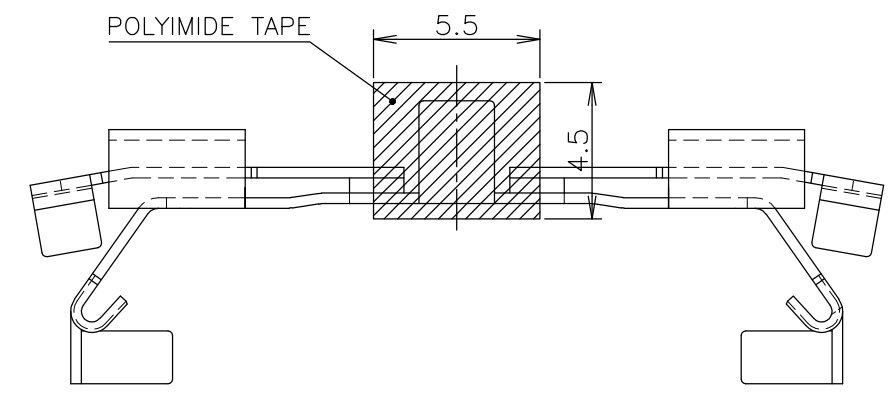
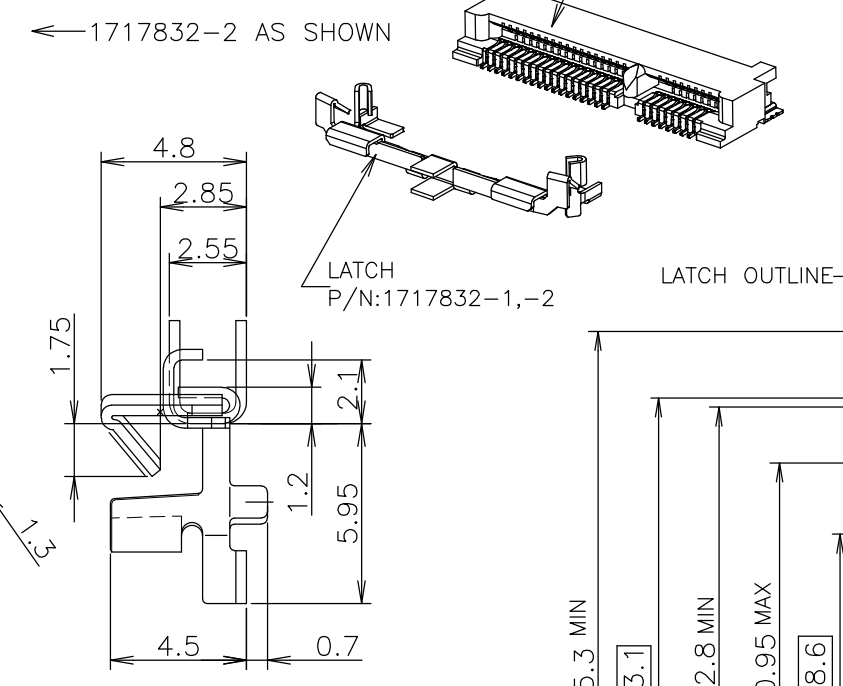
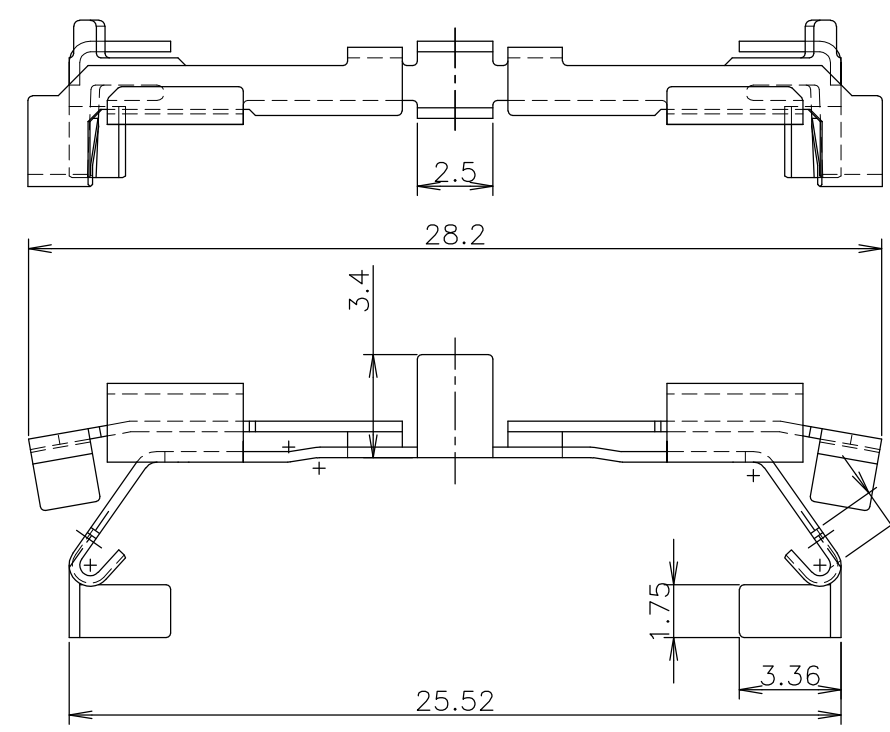


THIS DRAWING IS UNPUBLISHED. RELEASED FOR PUBLICATION OCT ,2003.  
 © COPYRIGHT 2003 By - ALL RIGHTS RESERVED.

| LOC | DIST | REVISIONS   |                           |         |        |
|-----|------|-------------|---------------------------|---------|--------|
| P   | LTR  | DESCRIPTION | DATE                      | DWN     | APVD   |
| J   |      | C1          | REVISED PER ECO-11-005030 | 11MAR11 | RK HMR |



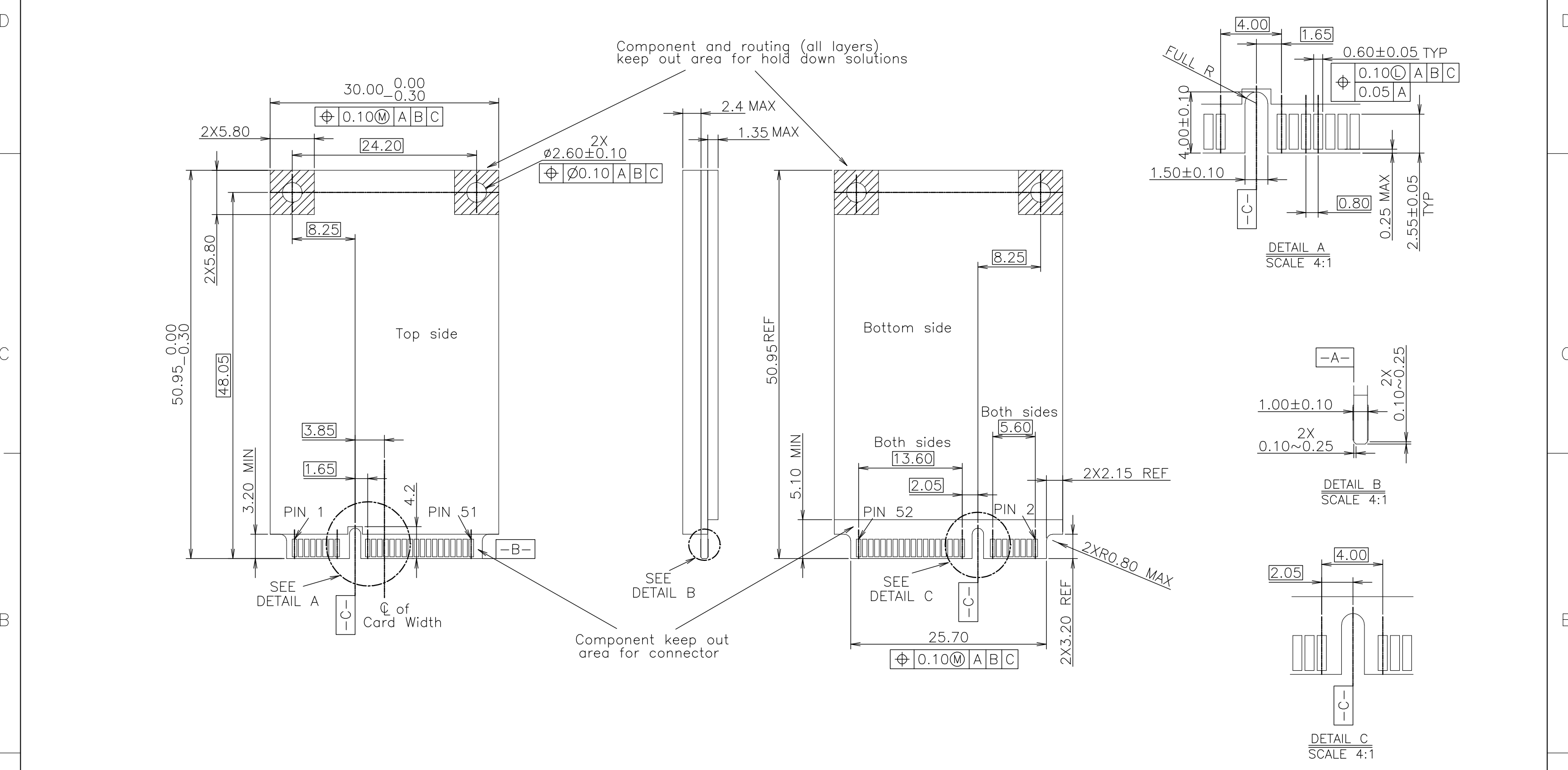
NOTE  
 1. MATERIAL : COPPER ALLOY  
 2. FINISH : TIN PLATING ALL OVER NICKEL  
 3. [D] IS THE TOP SURFACE OF PCB.  
 4. COMPONENT KEEP OUT AREA BASED ON MINI PCI EXPRESS SPECIFICATION 1.0 CANDIDATE DRAFT (v1)

|                                       |       |
|---------------------------------------|-------|
| TOLERANCES UNLESS OTHERWISE SPECIFIED |       |
| 10 ≥                                  | ±0.2  |
| 30 ≥ >10                              | ±0.25 |
| 100 ≥ >10                             | ±0.3  |
| ANGLES : ±3°                          |       |

|   |   |                  |            |         |                     |      |           |       |            |           |               |        |        |   |        |   |      |   |
|---|---|------------------|------------|---------|---------------------|------|-----------|-------|------------|-----------|---------------|--------|--------|---|--------|---|------|---|
| THIS DRAWING IS A CONTROLLED DOCUMENT.  |   | DWN              | J.TANIGAWA | 100CT03 | <br>TE Connectivity |      |           |       |            |           |               |        |        |   |        |   |      |   |
| DIMENSIONS: MM  |   | CHK              | Y.YAMAMOTO | 100CT03 |                     |      |           |       |            |           |               |        |        |   |        |   |      |   |
| TOLERANCES UNLESS OTHERWISE SPECIFIED:  |   | APVD             | Y.YAMAMOTO | 100CT03 |                     |      |           |       |            |           |               |        |        |   |        |   |      |   |
| <table border="1"> <tr><td>0 PLC</td><td>±</td></tr> <tr><td>1 PLC</td><td>±</td></tr> <tr><td>2 PLC</td><td>±</td></tr> <tr><td>3 PLC</td><td>±</td></tr> <tr><td>4 PLC</td><td>±</td></tr> <tr><td>ANGLES</td><td>±</td></tr> <tr><td>FINISH</td><td>±</td></tr> </table> |   | 0 PLC            | ±          | 1 PLC   |                     | ±    | 2 PLC     | ±     | 3 PLC      | ±         | 4 PLC         | ±      | ANGLES | ± | FINISH | ± | NAME | SEMI HARD TRAY & EMBOSS TAPE SUPPLY<br>MINI PCI EXPRESS CONNECTOR LATCH |
| 0 PLC   | ± |                  |            |         |                     |      |           |       |            |           |               |        |        |   |        |   |      |   |
| 1 PLC   | ± |                  |            |         |                     |      |           |       |            |           |               |        |        |   |        |   |      |   |
| 2 PLC   | ± |                  |            |         |                     |      |           |       |            |           |               |        |        |   |        |   |      |   |
| 3 PLC   | ± |                  |            |         |                     |      |           |       |            |           |               |        |        |   |        |   |      |   |
| 4 PLC   | ± |                  |            |         |                     |      |           |       |            |           |               |        |        |   |        |   |      |   |
| ANGLES  | ± |                  |            |         |                     |      |           |       |            |           |               |        |        |   |        |   |      |   |
| FINISH  | ± |                  |            |         |                     |      |           |       |            |           |               |        |        |   |        |   |      |   |
| MATERIAL: SEE NOTE  |   | PRODUCT SPEC     | 108-5899   |         | SIZE                | A3   | CAGE CODE | 00779 | DRAWING NO | C-1717832 | RESTRICTED TO |        |        |   |        |   |      |   |
| TOLERANCES UNLESS OTHERWISE SPECIFIED   |   | APPLICATION SPEC | 108-5899   |         | WEIGHT              | 0.6g |           | SCALE | 4:1        |           | SHEET         | 1 OF 4 |        |   |        |   |      |   |
| SEE NOTE  |   | CUSTOMER DRAWING |            | SCALE   |                     | 4:1  |           | SHEET |            | 1 OF 4    |               | REV    | C1     |   |        |   |      |   |

THIS DRAWING IS UNPUBLISHED. RELEASED FOR PUBLICATION OCT ,2003.  
 © COPYRIGHT 2003 By - ALL RIGHTS RESERVED.

| LOC | DIST | REVISIONS   |      |     |      |
|-----|------|-------------|------|-----|------|
| P   | LTR  | DESCRIPTION | DATE | DWN | APVD |
| J   |      | SEE SHEET 1 | -    | -   | -    |



NOTES  
 1. PCI EXPRESS MINI CARD, PCB THICKNESS 1.0MM.  
 2. CARD THICKNESS APPLIES ACROSS TABS AND INCLUDES PLATING AND/OR METALIZATION.  
 3. BEVEL MUST BE FREE OF CUTTING BURRS.

|  |  |                  |  |                                     |  |
|--|--|------------------|--|-------------------------------------|--|
| THIS DRAWING IS A CONTROLLED DOCUMENT. |  | DWN              |  | <b>STE</b> TE Connectivity          |  |
| DIMENSIONS: MM                         |  | CHK              |  |                                     |  |
| TOLERANCES UNLESS OTHERWISE SPECIFIED: |  | APVD             |  | NAME                                |  |
| 0 PLC ±                                |  | PRODUCT SPEC     |  | SEMI HARD TRAY & EMBOSS TAPE SUPPLY |  |
| 1 PLC ±                                |  | 108-5899         |  | MINI PCI EXPRESS CONNECTOR LATCH    |  |
| 2 PLC ±                                |  | APPLICATION SPEC |  | SIZE                                |  |
| 3 PLC ±                                |  | WEIGHT           |  | CAGE CODE                           |  |
| 4 PLC ±                                |  | CUSTOMER DRAWING |  | DRAWING NO                          |  |
| ANGLES ±                               |  | SCALE 2:1        |  | SHEET 2 OF 4                        |  |
| FINISH ±                               |  | RESTRICTED TO    |  | REV C1                              |  |

4

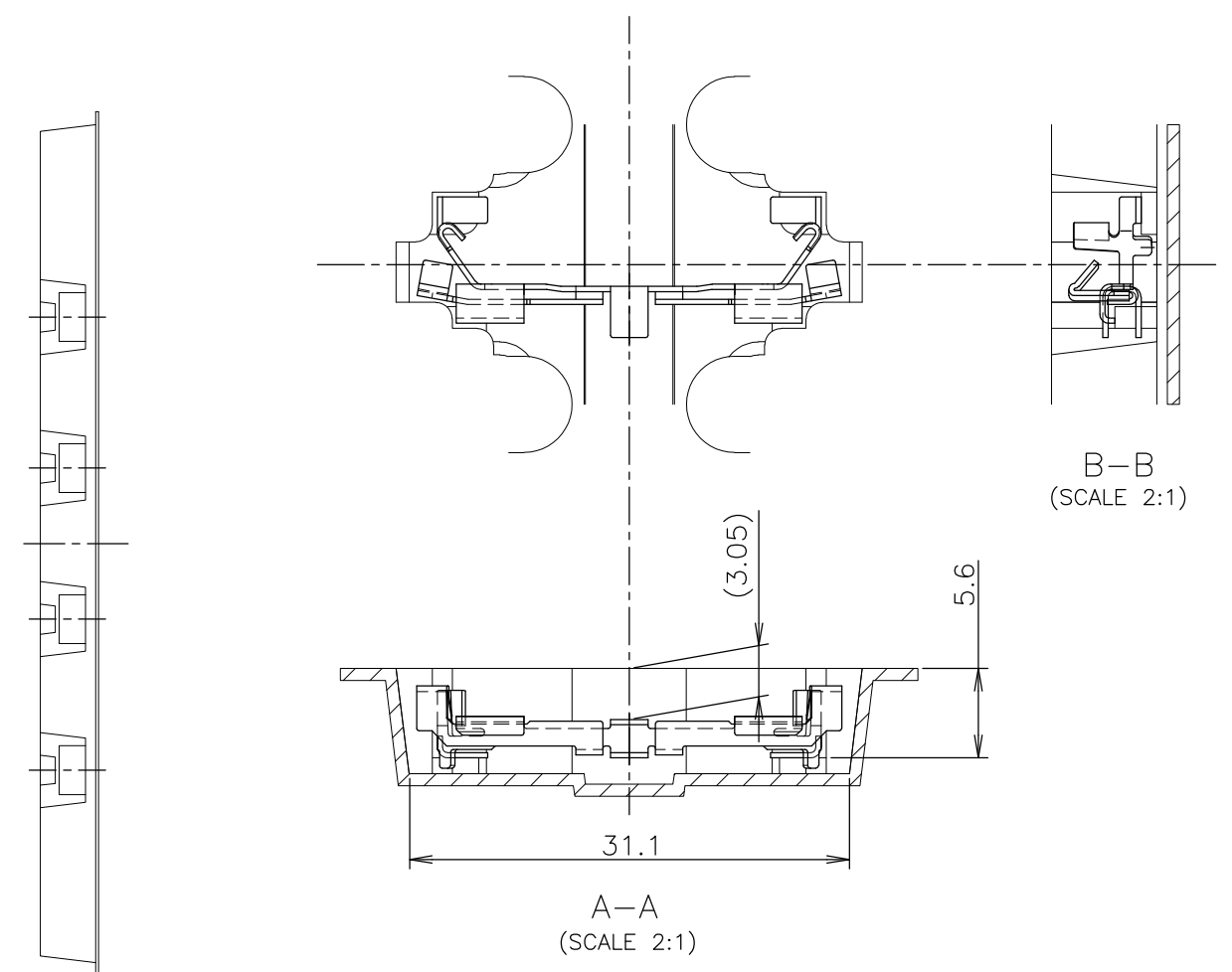
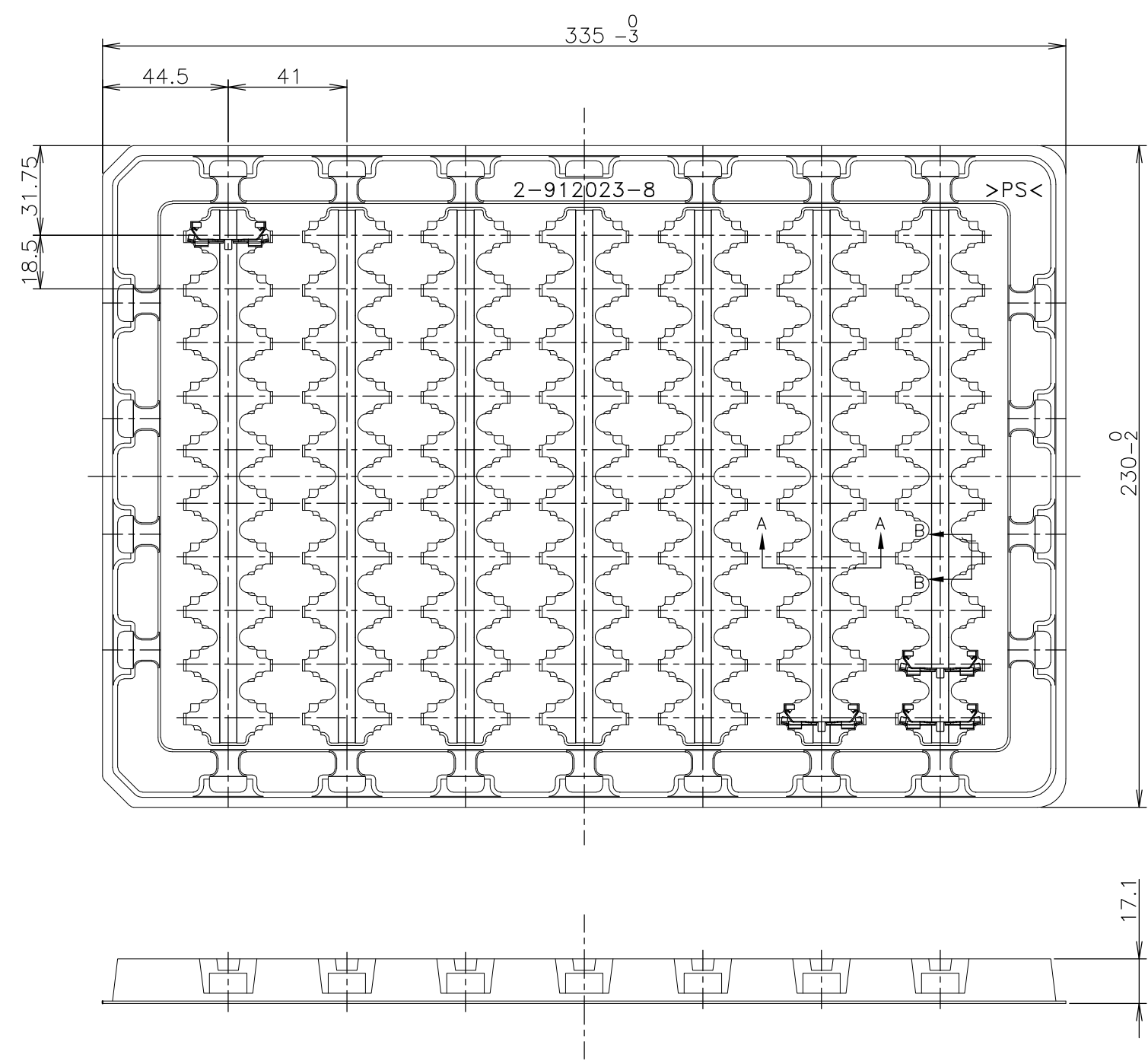
3

2

1

THIS DRAWING IS UNPUBLISHED. RELEASED FOR PUBLICATION OCT , 2003.  
 © COPYRIGHT 2003 By - ALL RIGHTS RESERVED.

| LOC | DIST | REVISIONS   |      |     |      |
|-----|------|-------------|------|-----|------|
| P   | LTR  | DESCRIPTION | DATE | DWN | APVD |
| J   | /    | SEE SHEET 1 | -    | -   | -    |



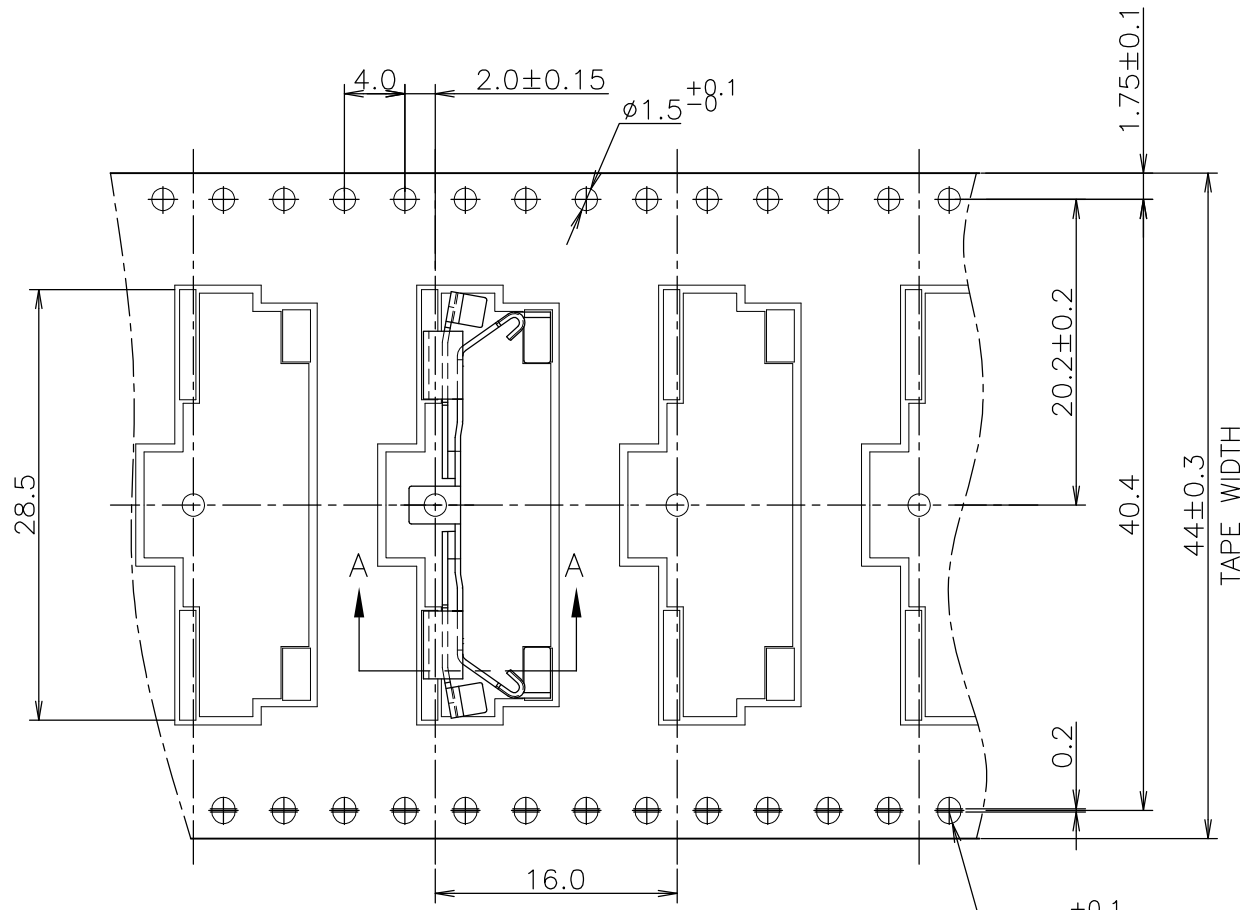
NOTE  
 1. THE DIRECTION OF EACH LATCH ON A TRAY IS REFERRED TO THIS DWG.

|           |            |           |
|-----------|------------|-----------|
| 70EA/TRAY | 2-912023-8 | 1717832-1 |
| QTY       | TRAY P/N   | P/N       |

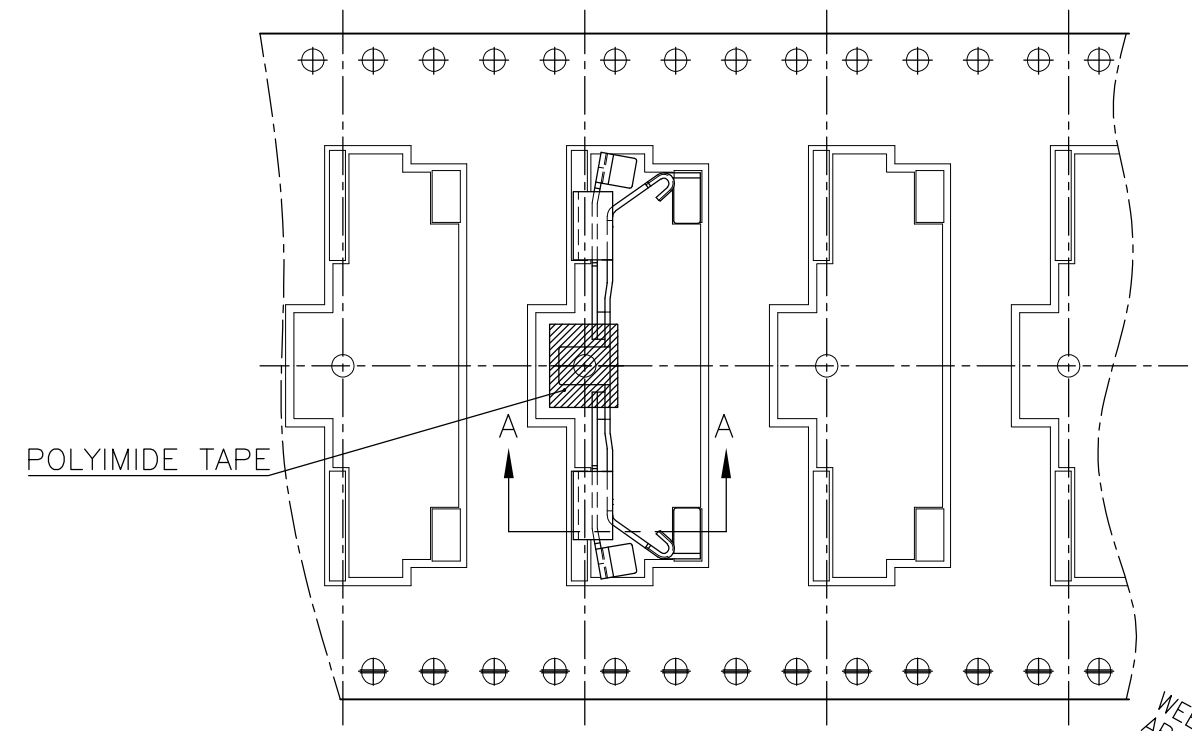
|   |  |          |  |       |            |                  |               |    |
|---|--|----------|--|-------|------------|------------------|---------------|----|
| THIS DRAWING IS A CONTROLLED DOCUMENT.                                      |  | DWN      | TE Connectivity<br>NAME<br>SEMI HARD TRAY & EMBOSS TAPE SUPPLY<br>MINI PCI EXPRESS CONNECTOR LATCH |       |            |                  |               |    |
| DIMENSIONS: MM  |  | CHK      |  |       |            | PRODUCT SPEC     | 108-5899      |    |
| TOLERANCES UNLESS OTHERWISE SPECIFIED:                                      |  | APVD     |  |       |            | APPLICATION SPEC |               |    |
| 0 PLC ±<br>1 PLC ±<br>2 PLC ±<br>3 PLC ±<br>4 PLC ±<br>ANGLES ±<br>FINISH ± |  | WEIGHT   |  |       |            | SIZE             | A3            |    |
| TOLERANCES UNLESS OTHERWISE SPECIFIED ±0.5                                  |  | MATERIAL | CAGE CODE  | 00779 | DRAWING NO | C-1717832        | RESTRICTED TO |    |
| CUSTOMER DRAWING  |  |          | SCALE  | NTS   | SHEET      | 3 OF 4           | REV           | C1 |

THIS DRAWING IS UNPUBLISHED. RELEASED FOR PUBLICATION OCT. 2003.  
 © COPYRIGHT 2003 By - ALL RIGHTS RESERVED.

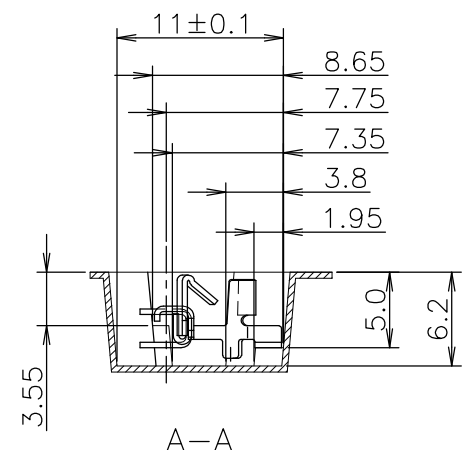
| LOC | DIST | REVISIONS   |      |     |      |
|-----|------|-------------|------|-----|------|
| P   | LTR  | DESCRIPTION | DATE | DWN | APVD |
| J   |      | SEE SHEET 1 | -    | -   | -    |



1717832-2 AS SHOWN

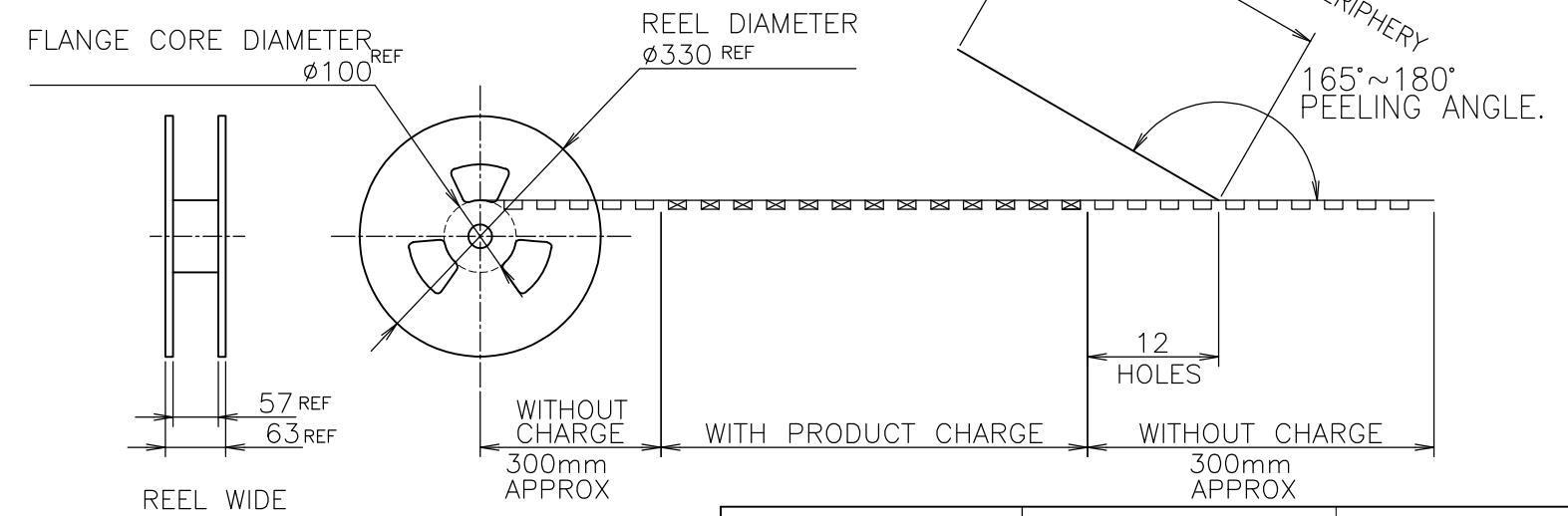


1717832-3 AS SHOWN



A-A

TOP OF REEL →



WEEDING THE COVER TAPE AROUND THE OUTER PERIPHERY IN A TURN.  
 165°~180° PEELING ANGLE.

|          |                 |           |
|----------|-----------------|-----------|
| 500EA    | 6-912103-0      | 1717832-3 |
| 500EA    | 6-912103-0      | 1717832-2 |
| QTY/REEL | EMBOSS TAPE P/N | P/N       |

1 PEELING RESISTANCE : 0.1N~1.3N (10gf~130gf)  
 SPEED : 300mm/min

|   |  |                    |  |  |              |   |  |
|---|--|--------------------|--|--|--------------|---|--|
| THIS DRAWING IS A CONTROLLED DOCUMENT.                                      |  | DWN                | TE Connectivity<br>NAME<br>SEMI HARD TRAY & EMBOSS TAPE SUPPLY<br>MINI PCI EXPRESS CONNECTOR LATCH |  |              |   |  |
| DIMENSIONS: MM  |  | CHK                |  |  |              | PRODUCT SPEC  |  |
| TOLERANCES UNLESS OTHERWISE SPECIFIED:                                      |  | APVD               |  |  |              | APPLICATION SPEC  |  |
| 0 PLC ±<br>1 PLC ±<br>2 PLC ±<br>3 PLC ±<br>4 PLC ±<br>ANGLES ±<br>FINISH ± |  | 108-5899<br>WEIGHT |  |  |              | SIZE CAGE CODE DRAWING NO RESTRICTED TO<br>A3 00779 C-1717832 |  |
| MATERIAL  |  | CUSTOMER DRAWING   |  |  | SCALE 2:1    |   |  |
|   |  |                    |  |  | SHEET 4 OF 4 |   |  |
|   |  |                    |  |  | REV C1       |   |  |

## Данный компонент на территории Российской Федерации

### Вы можете приобрести в компании MosChip.

Для оперативного оформления запроса Вам необходимо перейти по данной ссылке:

<http://moschip.ru/get-element>

Вы можете разместить у нас заказ для любого Вашего проекта, будь то серийное производство или разработка единичного прибора.

В нашем ассортименте представлены ведущие мировые производители активных и пассивных электронных компонентов.

Нашей специализацией является поставка электронной компонентной базы двойного назначения, продукции таких производителей как XILINX, Intel (ex.ALTERA), Vicor, Microchip, Texas Instruments, Analog Devices, Mini-Circuits, Amphenol, Glenair.

Сотрудничество с глобальными дистрибьюторами электронных компонентов, предоставляет возможность заказывать и получать с международных складов практически любой перечень компонентов в оптимальные для Вас сроки.

На всех этапах разработки и производства наши партнеры могут получить квалифицированную поддержку опытных инженеров.

Система менеджмента качества компании отвечает требованиям в соответствии с ГОСТ Р ИСО 9001, ГОСТ РВ 0015-002 и ЭС РД 009

### Офис по работе с юридическими лицами:

105318, г.Москва, ул.Щербаковская д.3, офис 1107, 1118, ДЦ «Щербаковский»

Телефон: +7 495 668-12-70 (многоканальный)

Факс: +7 495 668-12-70 (доб.304)

E-mail: [info@moschip.ru](mailto:info@moschip.ru)

Skype отдела продаж:

moschip.ru

moschip.ru\_4

moschip.ru\_6

moschip.ru\_9