

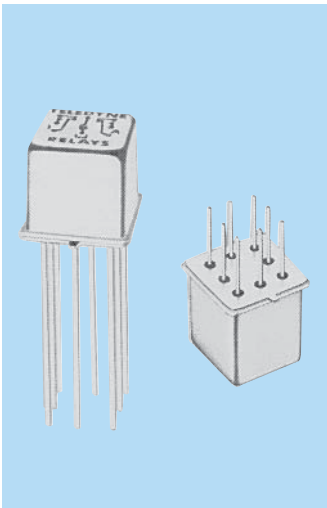


A Unit of Teledyne Electronics and Communications

# CENTIGRID® ESTABLISHED RELIABILITY RELAYS SENSITIVE DPDT

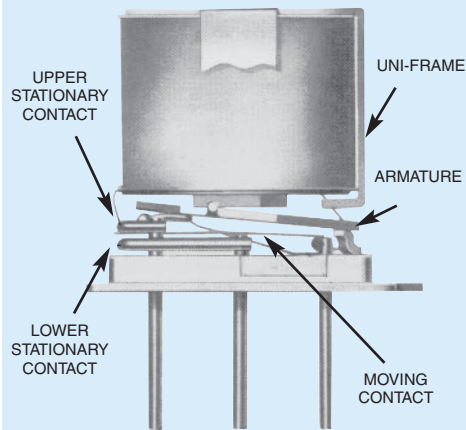
## SERIES 134

ESTABLISHED RELIABILITY



| SERIES DESIGNATION | RELAY TYPE  |
|--------------------|---|
| 134                | DPDT basic relay  |
| 134D               | DPDT relay with internal diode for coil transient suppression                                   |
| 134DD              | DPDT relay with internal diodes for coil transient suppression and polarity reversal protection |

### INTERNAL CONSTRUCTION



### DESCRIPTION

The 134 sensitive Centigrad® relay retains the same features as the 114 standard Centigrad® relay with only a minimal increase in profile height (.375 in.). Its .100-inch grid spaced terminals, which preclude the need for spreader pads, and its low profile make the 134 relay ideal for applications where high packaging density is important.

The following unique construction features and manufacturing techniques provide excellent resistance to environmental extremes and overall high reliability:

- All welded construction.
- Unique uni-frame design providing high magnetic efficiency and mechanical rigidity.
- High force/mass ratios for resistance to shock and vibration.
- Advanced cleaning techniques provide maximum assurance of internal cleanliness.
- Precious metal alloy contact material with gold plating assures excellent high current and dry circuit switching capabilities.

The Series 134D and 134DD have internal discrete silicon diodes for coil suppression and polarity reversal protection.

The sensitive 134 Centigrad® relay has a high resistance coil, thus requiring extremely low operating power (200 mw typical). The advantages of reduced heat dissipation and power supply demands are a plus.

By virtue of its inherently low intercontact capacitance and contact circuit losses, the 134 relay has proven to be an excellent ultraminiature RF switch for frequency ranges well into the UHF spectrum. A typical RF application for the Centigrad® relay is in handheld radio transceivers, wherein the combined features of good RF performance, small size, low coil power dissipation and high reliability make it a preferred method of Transmit-Receive switching (see Figure 1).

### ENVIRONMENTAL AND PHYSICAL SPECIFICATIONS

|                                      |                              |
|--------------------------------------|------------------------------|
| <b>Temperature</b><br>(Ambient)      | -65°C to +125°C              |
| <b>Vibration</b><br>(General Note 1) | 30 g's to 3000 Hz            |
| <b>Shock</b><br>(General Note 1)     | 75 g's,<br>6 msec, half-sine |
| <b>Acceleration</b>                  | 50 g's                       |
| <b>Enclosure</b>                     | Hermetically sealed          |
| <b>Weight</b>                        | 0.15 oz. (4.3g) max.         |

**SERIES 134**  
**GENERAL ELECTRICAL SPECIFICATIONS (-65°C to +125°C unless otherwise noted) (Notes 2 & 3)**

|   |  |                           |
|---|--|---------------------------|
| <b>Contact Arrangement</b>  | 2 Form C (DPDT)  |                           |
| <b>Rated Duty</b>   | Continuous   |                           |
| <b>Contact Resistance</b>   | 0.1 ohm max. before life; 0.2 ohm max. after life at 1A/28Vdc (measured 1/8" from header)  |                           |
| <b>Contact Load Ratings (DC)</b><br>(See Fig. 2 for other DC resistive voltage/current ratings) | Resistive: 1 Amp/28Vdc<br>Inductive: 200 mA/28Vdc (320 mH)<br>Lamp: 100 mA/28Vdc<br>Low Level: 10 to 50 $\mu$ A/10 to 50mV                               |                           |
| <b>Contact Load Ratings (AC)</b>  | Resistive: 250 mA/115Vac, 60 and 400 Hz (Case not grounded)<br>100 mA/115Vac, 60 and 400 Hz (Case grounded)  |                           |
| <b>Contact Life Ratings</b>   | 10,000,000 cycles (typical) at low level<br>1,000,000 cycles (typical) at 0.5A/28Vdc resistive<br>100,000 cycles min. at all other loads specified above |                           |
| <b>Contact Overload Rating</b>  | 2A/28Vdc Resistive (100 cycles min.)   |                           |
| <b>Contact Carry Rating</b>   | Contact factory  |                           |
| <b>Coil Operating Power</b>   | 200 milliwatts typical at nominal rated voltage @ 25°C   |                           |
| <b>Operate Time</b>   | 4.0 msec max. at nominal rated coil voltage  |                           |
| <b>Release Time</b>   | 134 Series: 2.0 msec max. 134D, 134DD Series: 7.5 msec max.  |                           |
| <b>Contact Bounce</b>   | 1.5 msec max.  |                           |
| <b>Intercontact Capacitance</b>   | 0.4 pf typical   |                           |
| <b>Insulation Resistance</b>  | 10,000 megohms min. between mutually isolated terminals  |                           |
| <b>Dielectric Strength</b>  | Atmospheric pressure: 500 Vrms/60Hz  | 70,000 ft.: 125 Vrms/60Hz |
| <b>Negative Coil Transient (Vdc)</b>  | 134D, 134DD  | 1.0 max                   |
| <b>Diode P.I.V. (Vdc)</b>   | 134D, 134DD  | 100 min.                  |

**DETAILED ELECTRICAL SPECIFICATIONS (-65°C to +125°C unless otherwise noted) (Note 3)**

|  | BASE PART NUMBERS<br>(See Note 8 for full P/N example) | ➔    | 134-5             | 134-6             | 134-9             | 134-12              | 134-18              | 134-26              |
|--|--|------|-------------------|-------------------|-------------------|---------------------|---------------------|---------------------|
|  |  |      | 134D-5<br>134DD-5 | 134D-6<br>134DD-6 | 134D-9<br>134DD-9 | 134D-12<br>134DD-12 | 134D-18<br>134DD-18 | 134D-26<br>134DD-26 |
| <b>Coil Voltage (Vdc)</b>                                  | Nom.   |      | 5.0               | 6.0               | 9.0               | 12.0                | 18.0                | 26.5                |
|  | Max.   |      | 7.5               | 10.0              | 15.0              | 20.0                | 30.0                | 40.0                |
| <b>Coil Resistance (Ohms <math>\pm</math>10% @25°C)</b>    | 134, 134D  |      | 100               | 200               | 400               | 800                 | 1600                | 3200                |
|  | 134DD (Note 4)   |      | 64                | 125               | 400               | 800                 | 1600                | 3200                |
| <b>Coil Current (mA<sub>dc</sub> @25°C) (134DD Series)</b> | Min.   |      | 56.8              | 36.3              | 18.1              | 12.5                | 9.6                 | 7.2                 |
|  | Max.   |      | 78.1              | 48.9              | 23.6              | 16.0                | 12.2                | 9.0                 |
| <b>Pick-up Voltage (Vdc, Max.)</b>                         | 134, 134D  |      | 3.5               | 4.5               | 6.8               | 9.0                 | 13.5                | 18.0                |
|  | 134DD  |      | 3.7               | 4.8               | 8.0               | 11.0                | 14.5                | 19.0                |
| <b>Drop-out Voltage (Vdc)</b>                              | 134, 134D  | Min. | 0.12              | 0.18              | 0.35              | 0.41                | 0.59                | 0.89                |
|  |  | Max. | 2.5               | 3.2               | 4.9               | 6.5                 | 10.0                | 13.0                |
|  | 134DD  | Min. | 0.7               | 0.8               | 0.9               | 1.0                 | 1.1                 | 1.3                 |
|  |  | Max. | 2.6               | 3.0               | 4.5               | 5.8                 | 9.0                 | 13.0                |

**PERFORMANCE CURVES**  
**(NOTE 2)**

TYPICAL RF PERFORMANCE

TYPICAL DC CONTACT RATING (RESISTIVE)

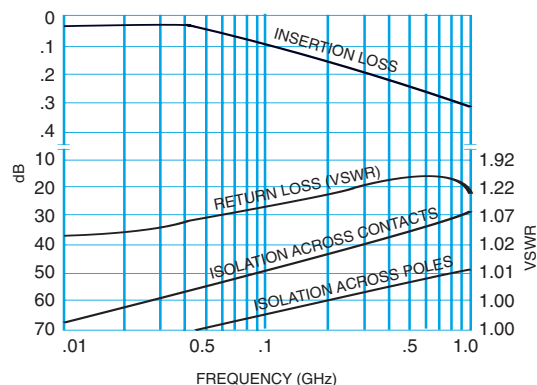


FIGURE 1

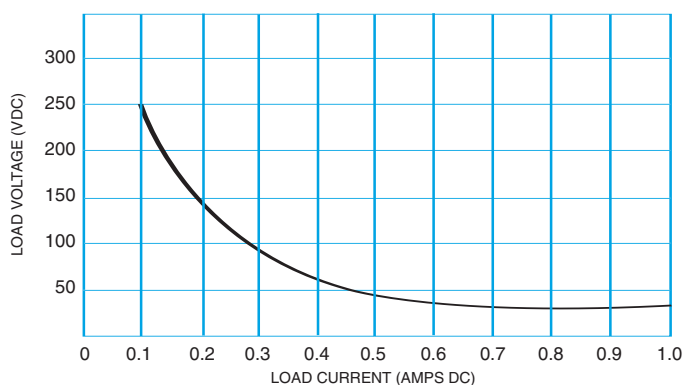
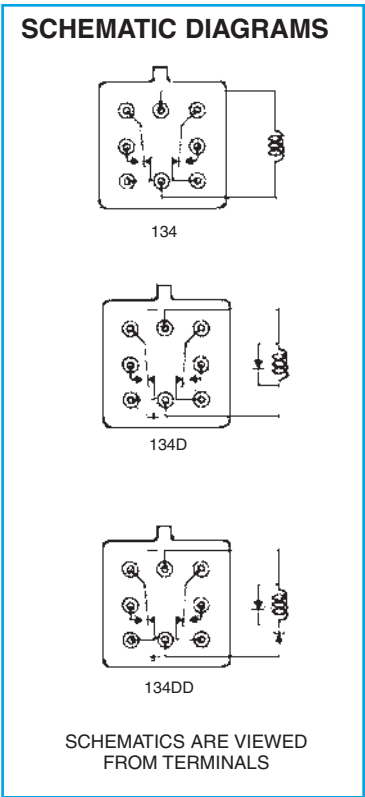
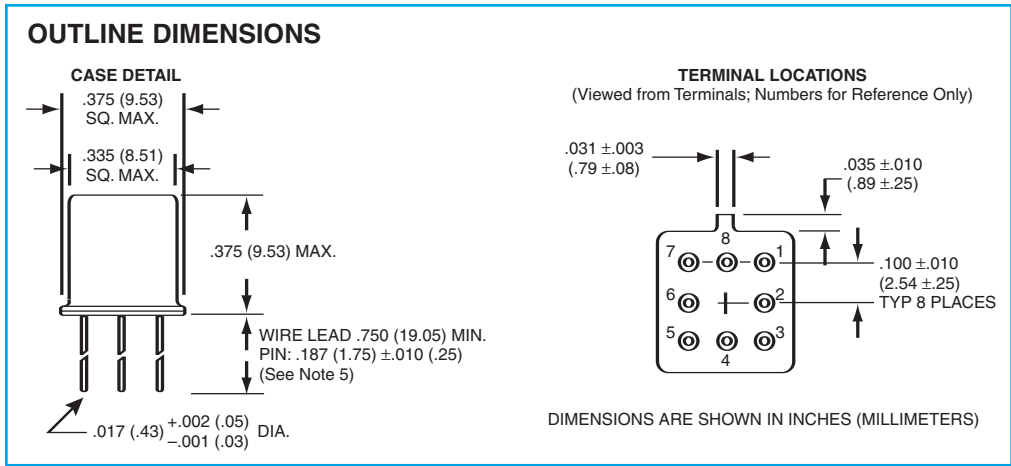


FIGURE 2

ESTABLISHED RELIABILITY

# SERIES 134

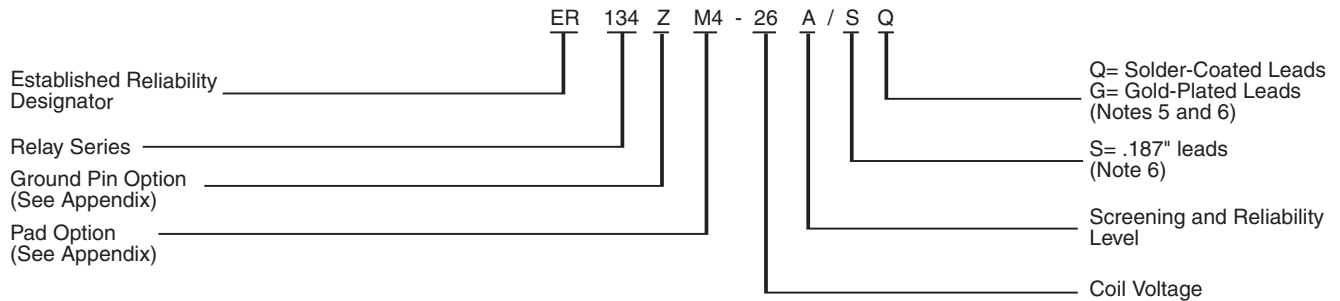


### GENERAL NOTES

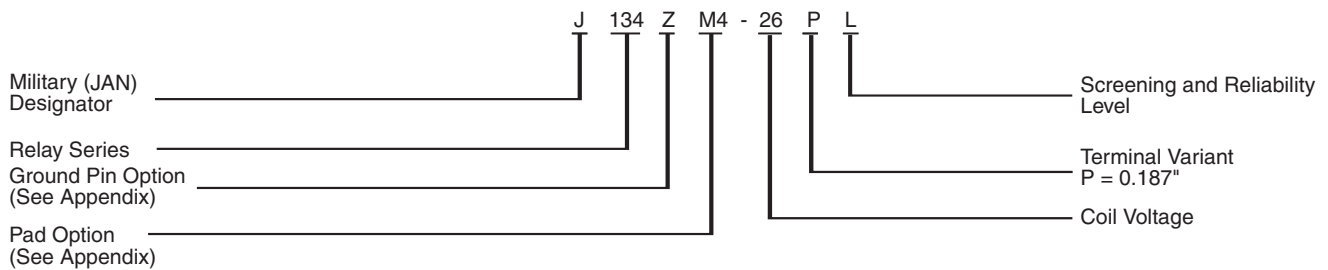
1. Relay contacts will exhibit no chatter in excess of 10 μsec or transfer in excess of 1 μsec.
2. "Typical" characteristics are based on available data and are best estimates. No on-going verification tests are performed.
3. Unless otherwise specified, parameters are initial values.
4. For reference only. Coil resistance not directly measurable at relay terminals due to internal series diode in 134DD only.
5. Unless otherwise specified, relays will be supplied with either gold-plated or solder-coated leads.
6. The slash and characters appearing after the slash are not marked on the relay.
7. Screened HI-REL versions available. Contact factory.
- 8.

ESTABLISHED RELIABILITY

### Teledyne Part Numbering System for T<sup>2</sup>R<sup>®</sup> Established Reliability Relay



### Teledyne Part Numbering System for Military Qualified (JAN) Relays



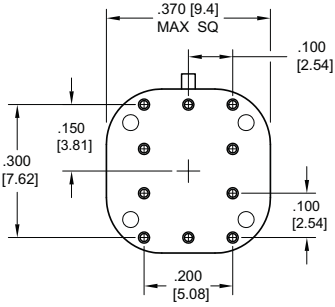
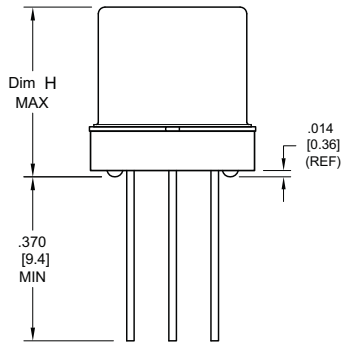
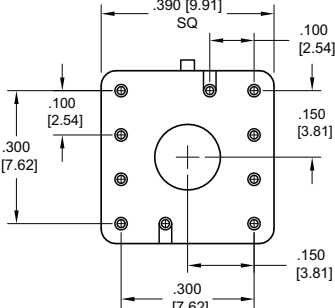
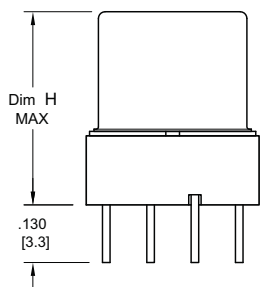
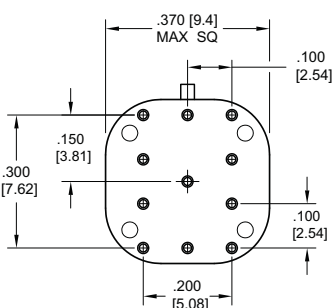
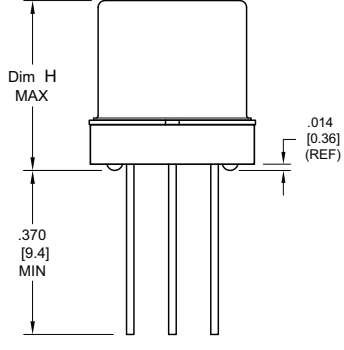
# Appendix A: Spacer Pads

| Pad designation and bottom view dimensions   | Height  | For use with the following:  | Dim. H Max.  |
|--|---|--|--------------|
|  <p style="text-align: center;">“M4” Pad for TO-5</p>         |    | ER411T<br>ER412, ER412D, ER412DD   | .295 (7.49)  |
|  |   | 712, 712D, 712TN,<br>RF300, RF310, RF320   | .300 (7.62)  |
|  |   | ER420, ER422D, ER420DD, 421,<br>ER421D, ER421DD, ER422, ER422D,<br>ER422DD, 722, 722D, RF341 | .305 (7.75)  |
|  |   | ER431T, ER432T,<br>ER432, ER432D, ER432DD  | .400 (10.16) |
|  |   | 732, 732D, 732TN, RF303, RF313,<br>RF323   | .410 (10.41) |
|  |   | RF312  | .350 (8.89)  |
|  <p style="text-align: center;">“M4” Pad for TO-5</p>         |    | ER411, ER411D, ER411DD   | .295 (7.49)  |
|  |   | ER431, ER431D, ER431DD   | .400 (10.16) |
|  |   | RF311  | .300 (7.62)  |
|  |   | RF331  | .410 (10.41) |
|  <p style="text-align: center;">“M4” Pad for Centigrid®</p> |  | 172, 172D  | .305 (7.75)  |
|  |   | ER114, ER114D, ER114DD,<br>J114, J114D, J114DD   | .300 (7.62)  |
|  |   | ER134, ER134D, ER134DD,<br>J134, J134D, J134DD   | .400 (10.16) |
|  |   | RF100  | .315 (8.00)  |
|  |   | RF103  | .420 (10.67) |
|  <p style="text-align: center;">“M9” Pad for Centigrid®</p> |  | 122C, A152   | .320 (8.13)  |
|  |   | ER116C, J116C  | .300 (7.62)  |
|  |   | ER136C, J136C  | .400 (10.16) |
|  |   | RF180  | .325 (8.25)  |
|  |   | A150   | .305 (7.75)  |

**Notes:**

1. Spacer pad material: Polyester film.
2. To specify an “M4” or “M9” spacer pad, refer to the mounting variants portion of the part numbering example in the applicable datasheet.
3. Dimensions are in inches (mm).
4. Unless otherwise specified, tolerance is  $\pm .010$  (.25).
5. Add 10 m $\Omega$  to the contact resistance show in the datasheet.
6. Add 0.01 oz. (0.25 g) to the weight of the relay assembly shown in the datasheet.

# Appendix A: Spreader Pads

| Pad designation and bottom view dimensions  | Height  | For use with the following:   | Dim. H Max.  |
|---|---|---|--------------|
|  <p>“M” Pad <u>5/</u> <u>6/</u> <u>9/</u></p>    |    | ER411T, J411T, ER412, ER412D<br>ER412DD, J412, J412D, J412DD<br>ER412T, J412T                                       | .388 (9.86)  |
|   |   | 712, 712D, 712TN  | .393 (9.99)  |
|   |   | ER431T, J431T, ER432, ER432D<br>ER432DD, J432, J432D, J432DD<br>ER432T, J432T                                       | .493 (12.52) |
|   |   | 732, 732D, 732TN  | .503 (12.78) |
|   |   | ER420, J420, ER420D, J420D<br>ER420DD, J420DD, ER421, J421<br>ER421D, J421D, ER421DD<br>J422D, ER422DD, J422DD, 722 | .398 (10.11) |
|  <p>“M2” Pad <u>7/</u> <u>8/</u></p>            |   | ER411T<br>ER412, ER412D, ER412DD<br>J412, J412D, J412DD   | .441 (11.20) |
|   |   | 712, 712D   | .451 (11.46) |
|   |   | ER421, ER421D, ER421DD<br>722, 732D   | .451 (11.46) |
|   |   | ER431T<br>ER432, ER432D, ER432DD  | .546 (13.87) |
|   |   | 732, 732D   | .556 (14.12) |
|  <p>“M3” Pad <u>5/</u> <u>6/</u> <u>9/</u></p> |  | ER411, ER411D, ER411DD<br>ER411TX<br>ER412X, ER412DX, ER412DDX<br>ER412TX   | .388 (9.86)  |
|   |   | 712X, 712DX, 712TNX   | .393 (9.99)  |
|   |   | ER420X, ER420DX, ER420DDX<br>ER421X, ER421DX, ER421DDX<br>ER422X, ER422DX<br>ER422DDX, 722X, 722DDX                 | .398 (10.11) |
|   |   | ER431, ER431D, ER431DD<br>ER431TX<br>ER432X, ER432DX, ER432DDX<br>ER432TX   | .493 (12.52) |
|   |   | 732X, 732DX, 732TNX   | .503 (12.78) |

## Notes:

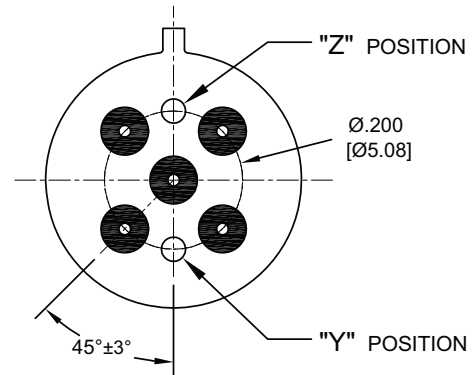
1. Spreader pad material: Diallyl Phthalate.
2. To specify an “M”, “M2” or “M3” spreader pad, refer to the mounting variants portion of the part number example in the applicable datasheet.
3. Dimensions are in inches (mm).
4. Unless otherwise specified, tolerance is  $\pm .010$ ” (0.25).
- 5/. Add 25 mΩ to the contact resistance shown in the datasheet.
- 6/. Add .01 oz. (0.25 g) to the weight of the relay assembly shown in the datasheet.
- 7/. Add 50 mΩ to the contact resistance shown in the datasheet.
- 8/. Add 0.025 oz (0.71 g) to the weight of the relay assembly shown in the datasheet.
- 9/. M3 pad to be used only when the relay has a center pin (e.g. ER411M3-12A, 722XM3-26.)

# Appendix A: Ground Pin Positions



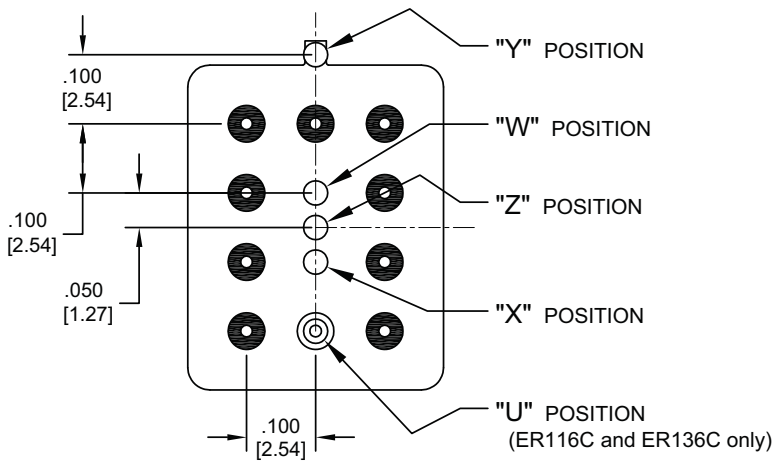
### TO-5 Relays:

ER411T, ER412, ER412T, ER420, ER421, ER422,  
ER431T, ER432, ER432T, 712, 712TN, 400H, 400K,  
400V, RF300, RF303, RF341, RF312, RF310, RF313,  
RF320, RF323



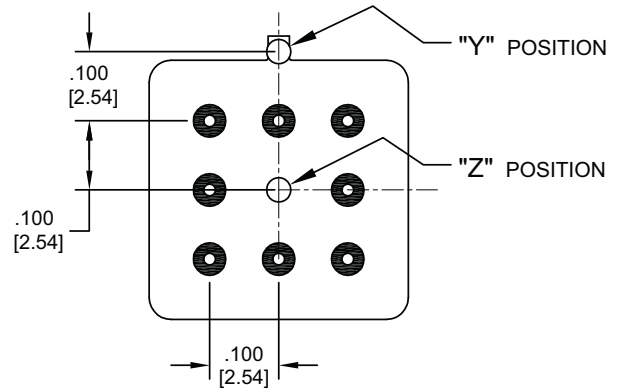
### TO-5 Relays:

ER411, ER431, RF311, RF331



### Centigrid® Relays:

RF180, ER116C, 122C, ER136C



### Centigrid® Relays:

RF100, RF103, ER114, ER134, 172

- Indicates ground pin position
- Indicates glass insulated lead position
- ◎ Indicates ground pin or lead position depending on relay type

### NOTES

1. Terminal views shown
2. Dimensions are in inches (mm)
3. Tolerances: ± .010 (±.25) unless otherwise specified
4. Ground pin positions are within .015 (0.38) dia. of true position
5. Ground pin head dia., 0.035 (0.89) ref: height 0.010 (0.25) ref.
6. Lead dia. 0.017 (0.43) nom.

## Данный компонент на территории Российской Федерации

### Вы можете приобрести в компании MosChip.

Для оперативного оформления запроса Вам необходимо перейти по данной ссылке:

<http://moschip.ru/get-element>

Вы можете разместить у нас заказ для любого Вашего проекта, будь то серийное производство или разработка единичного прибора.

В нашем ассортименте представлены ведущие мировые производители активных и пассивных электронных компонентов.

Нашей специализацией является поставка электронной компонентной базы двойного назначения, продукции таких производителей как XILINX, Intel (ex.ALTERA), Vicor, Microchip, Texas Instruments, Analog Devices, Mini-Circuits, Amphenol, Glenair.

Сотрудничество с глобальными дистрибьюторами электронных компонентов, предоставляет возможность заказывать и получать с международных складов практически любой перечень компонентов в оптимальные для Вас сроки.

На всех этапах разработки и производства наши партнеры могут получить квалифицированную поддержку опытных инженеров.

Система менеджмента качества компании отвечает требованиям в соответствии с ГОСТ Р ИСО 9001, ГОСТ РВ 0015-002 и ЭС РД 009

### Офис по работе с юридическими лицами:

105318, г.Москва, ул.Щербаковская д.3, офис 1107, 1118, ДЦ «Щербаковский»

Телефон: +7 495 668-12-70 (многоканальный)

Факс: +7 495 668-12-70 (доб.304)

E-mail: [info@moschip.ru](mailto:info@moschip.ru)

Skype отдела продаж:

moschip.ru

moschip.ru\_4

moschip.ru\_6

moschip.ru\_9